



US00D98000S

(12) **United States Design Patent** (10) **Patent No.:** **US D980,000 S**
Xia (45) **Date of Patent:** **** Mar. 7, 2023**

(54) **FRENCH PRESS**
(71) Applicant: **Yong Xia**, Suzhou (CN)
(72) Inventor: **Yong Xia**, Suzhou (CN)
(**) Term: **15 Years**

D567,007 S * 4/2008 Bodum D7/319
D567,567 S * 4/2008 Bodum D7/319
D573,396 S * 7/2008 Gauss D7/319
D594,267 S 6/2009 Bodum
D628,846 S * 12/2010 Bodum D7/319
(Continued)

(21) Appl. No.: **29/866,439**
(22) Filed: **Sep. 12, 2022**
(51) **LOC (14) Cl.** **07-02**
(52) **U.S. Cl.**
USPC **D7/317; D7/319**
(58) **Field of Classification Search**
USPC D7/300, 316-322, 392.1, 396.2, 396.4,
D7/397, 399, 400, 619.2, 622, 623, 624.2,
D7/624.3, 625
CPC A47J 31/0663; A47J 31/18; A47J 31/20;
A47J 31/24; A47J 31/38; A47J 31/44;
A47G 19/20
See application file for complete search history.

FOREIGN PATENT DOCUMENTS

BX 31031 * 12/1999
FR 100208-001 * 10/1970
FR 952704-001 * 5/1995

OTHER PUBLICATIONS

Amazon Japan, "Hario THA-2SV Hariole Ole Coffee & Tea French Press," Aug. 30, 2013, Amazon.com, www.amazon.com/Hario-beams-cups-THA-2SV-japan/dp/B001UJEKQA (Year: 2013).*
Procizion, Facebook post, Jun. 19, 2019, Facebook, www.facebook.com/photo/?fbid=2491745784192837&set=pb.100063450204926.-2207520000 (Year: 2019).*

(Continued)

Primary Examiner — Joseph Kukella
Assistant Examiner — Arva P Adams
(74) *Attorney, Agent, or Firm* — Vladimir Postnikov

(56) **References Cited**

U.S. PATENT DOCUMENTS

4,365,544 A * 12/1982 Howitt A47J 31/20
D7/317
D342,414 S * 12/1993 Jorgensen D7/317
D343,333 S * 1/1994 Jorgensen D7/316
D372,627 S * 8/1996 Ireland D7/319
D405,641 S * 2/1999 Brady D7/319
D414,984 S * 10/1999 Joergensen D7/392.1
6,079,316 A * 6/2000 Barden A47J 31/20
99/287
D448,601 S * 10/2001 Yeh A47J 31/20
D7/319
D458,074 S * 6/2002 Bodum D7/319
D458,505 S * 6/2002 Bodum A47J 31/4403
D7/319
D493,662 S 8/2004 Bodum
D559,028 S * 1/2008 Appleton A47J 31/005
D7/319
D565,887 S 4/2008 Bodum
D566,454 S 4/2008 Bodum

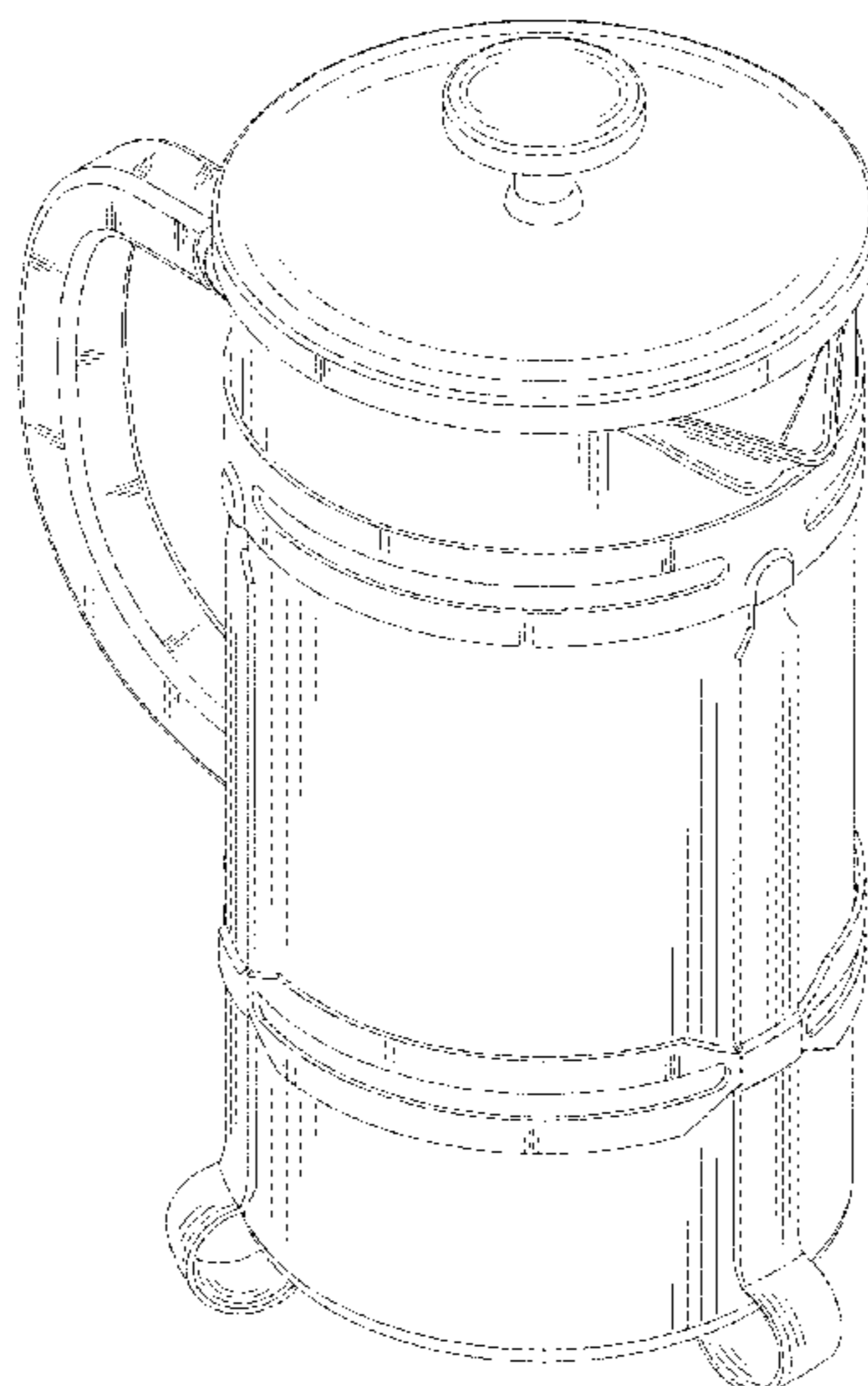
(57) **CLAIM**

The ornamental design for a french press, as shown and described.

DESCRIPTION

FIG. 1 is a front elevation view of a french press showing the new design;
FIG. 2 is a back elevation view thereof;
FIG. 3 is a left-side view thereof;
FIG. 4 is a right-side view thereof;
FIG. 5 is a top plan view thereof;
FIG. 6 is a bottom plan view thereof;
FIG. 7 is a perspective view thereof; and,
FIG. 8 is a perspective view thereof.

1 Claim, 8 Drawing Sheets



(56)

References Cited

U.S. PATENT DOCUMENTS

D646,110 S * 10/2011 Munro D7/319
D718,566 S * 12/2014 Lu D7/319
D758,136 S * 6/2016 Liotta D7/624.2
D763,042 S 8/2016 Shao
D795,630 S * 8/2017 McLean A47J 31/20
D7/319
D802,977 S * 11/2017 Bodum D7/319
D816,384 S 5/2018 Naden
D955,155 S 6/2022 Wang
D957,862 S 7/2022 Wang
D958,581 S 7/2022 Wang
2014/0072684 A1 * 3/2014 Madden A47J 31/005
426/431
2017/0071399 A1 * 3/2017 Constantine A47J 31/4403

OTHER PUBLICATIONS

Lewis, Adam, "9 Best French Press Coffee Maker Models on the Market," Feb. 17, 2022, Slick Panda, <https://slickpanda.com/best-french-press-coffee-maker/> (Year: 2022).*

Nuolate2019, "Yinuoday Coffee Pot," Jul. 16, 2022, Amazon.com, www.amazon.com/dp/B0B7CL5HFW (Year: 2022).*

<https://www.amazon.com/Bodum-Chambord-French-Coffee-Stainless/dp/B00005LM0R>, printed on Sep. 8, 2022 from Amazon.com.

<https://www.amazon.com/dp/B000VQT0VI>, printed on Sep. 8, 2022 from Amazon.com.

<https://www.amazon.com/dp/B004JHY0WY>, printed on Sep. 8, 2022 from Amazon.com.

<https://www.amazon.com/dp/B00KSRXUFM>, printed on Sep. 8, 2022 from Amazon.com.

<https://www.amazon.com/dp/B00451ILMY>, printed on Sep. 8, 2022 from Amazon.com.

* cited by examiner

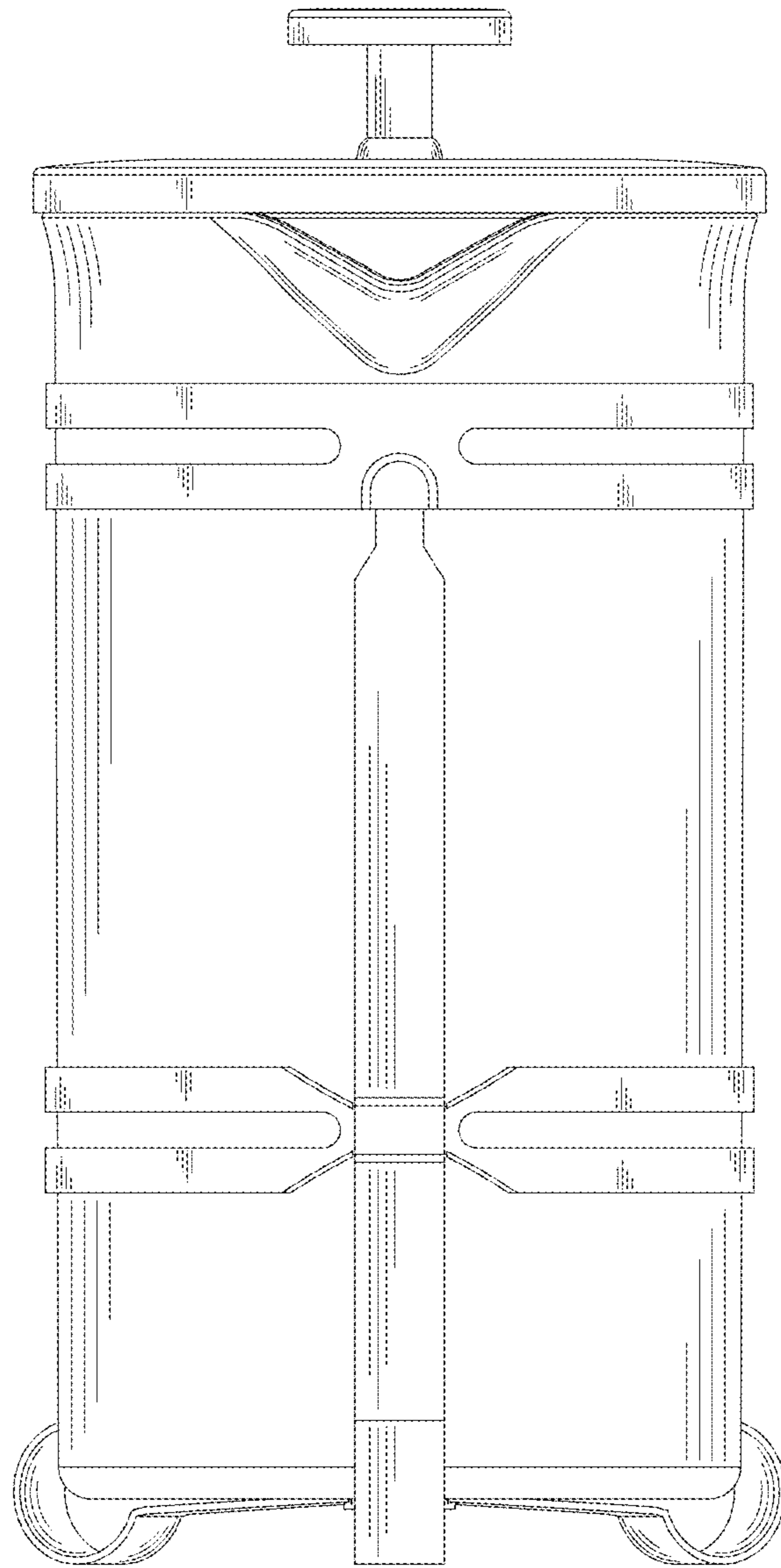


FIG. 1

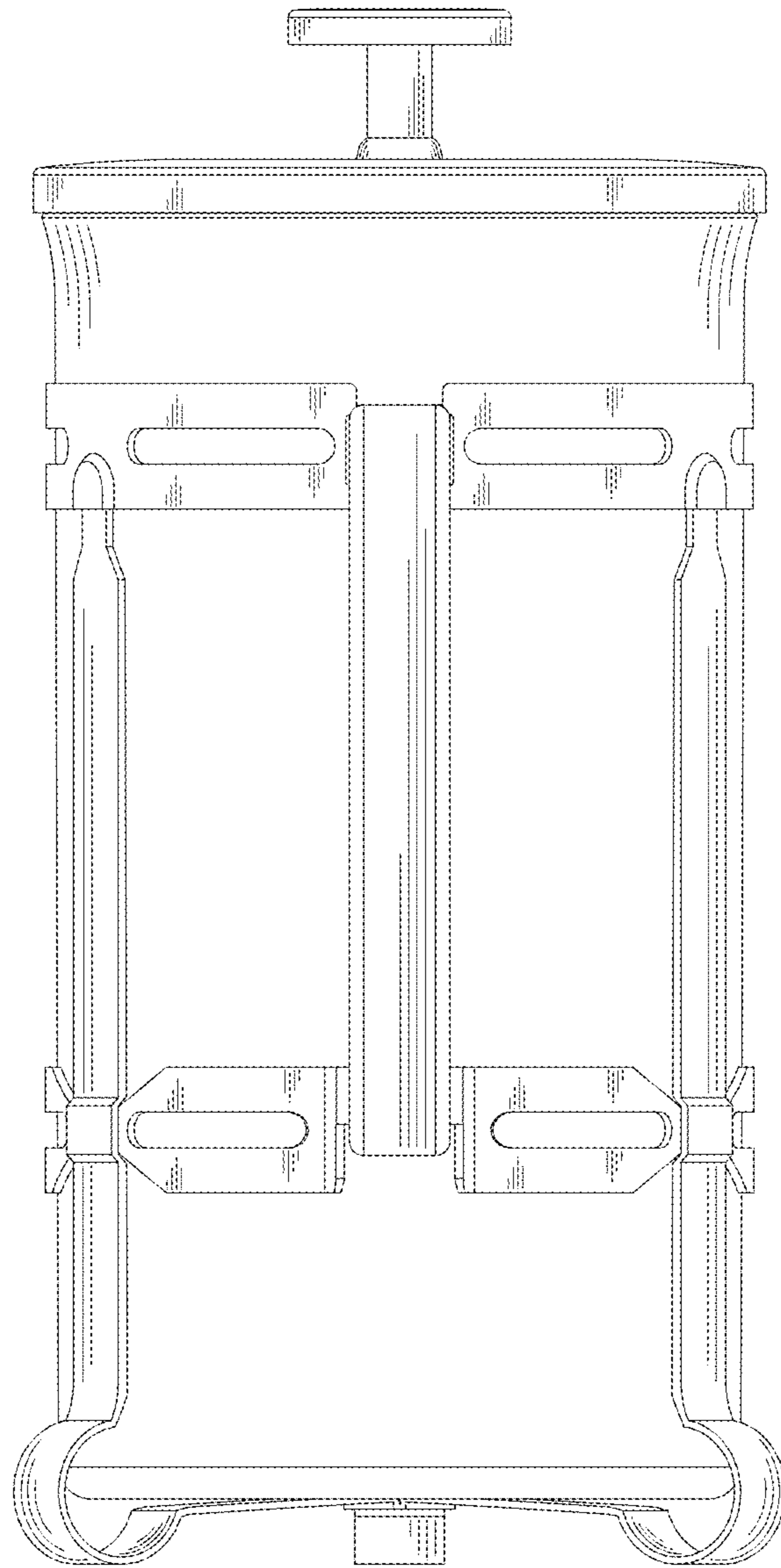


FIG. 2

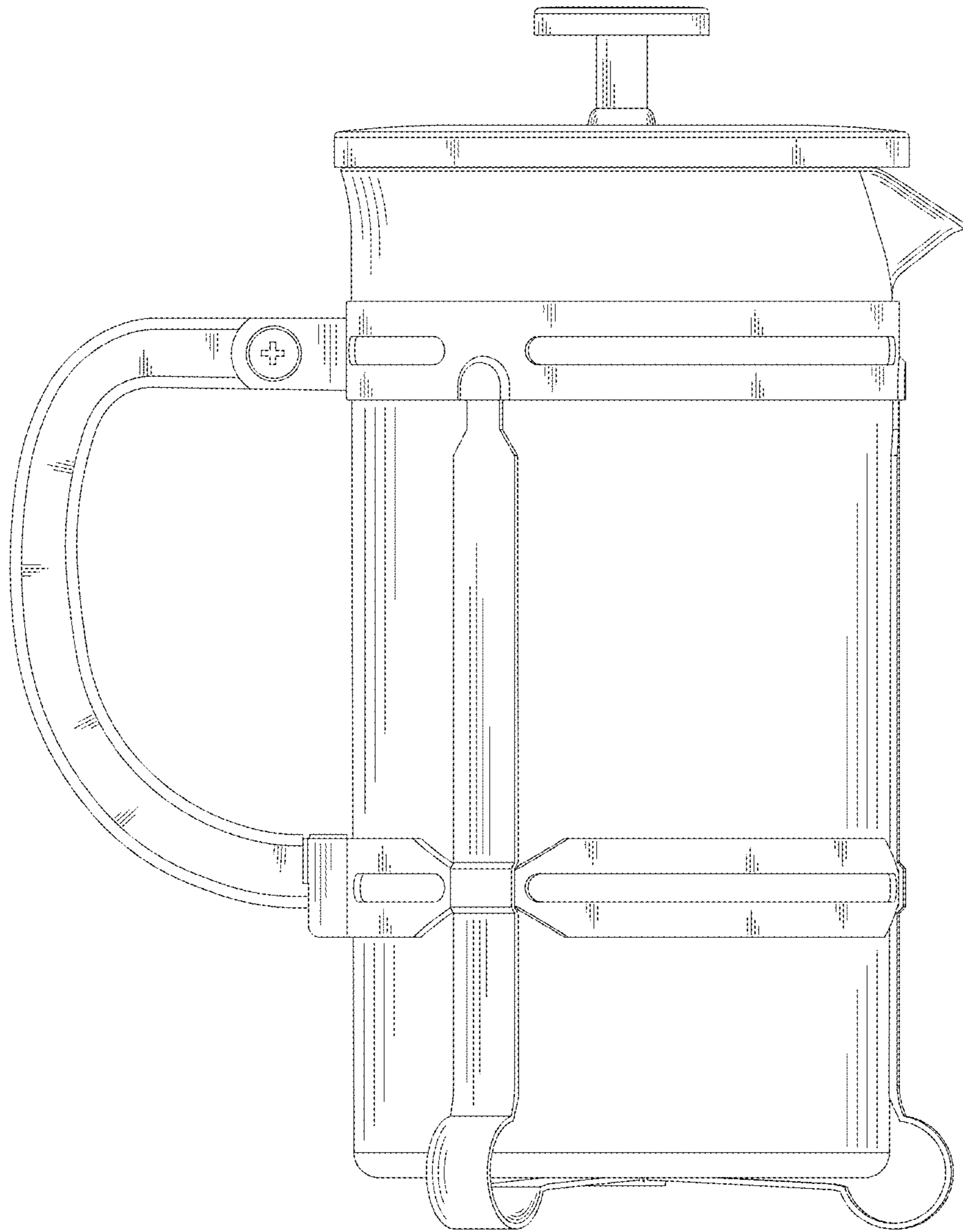


FIG. 3

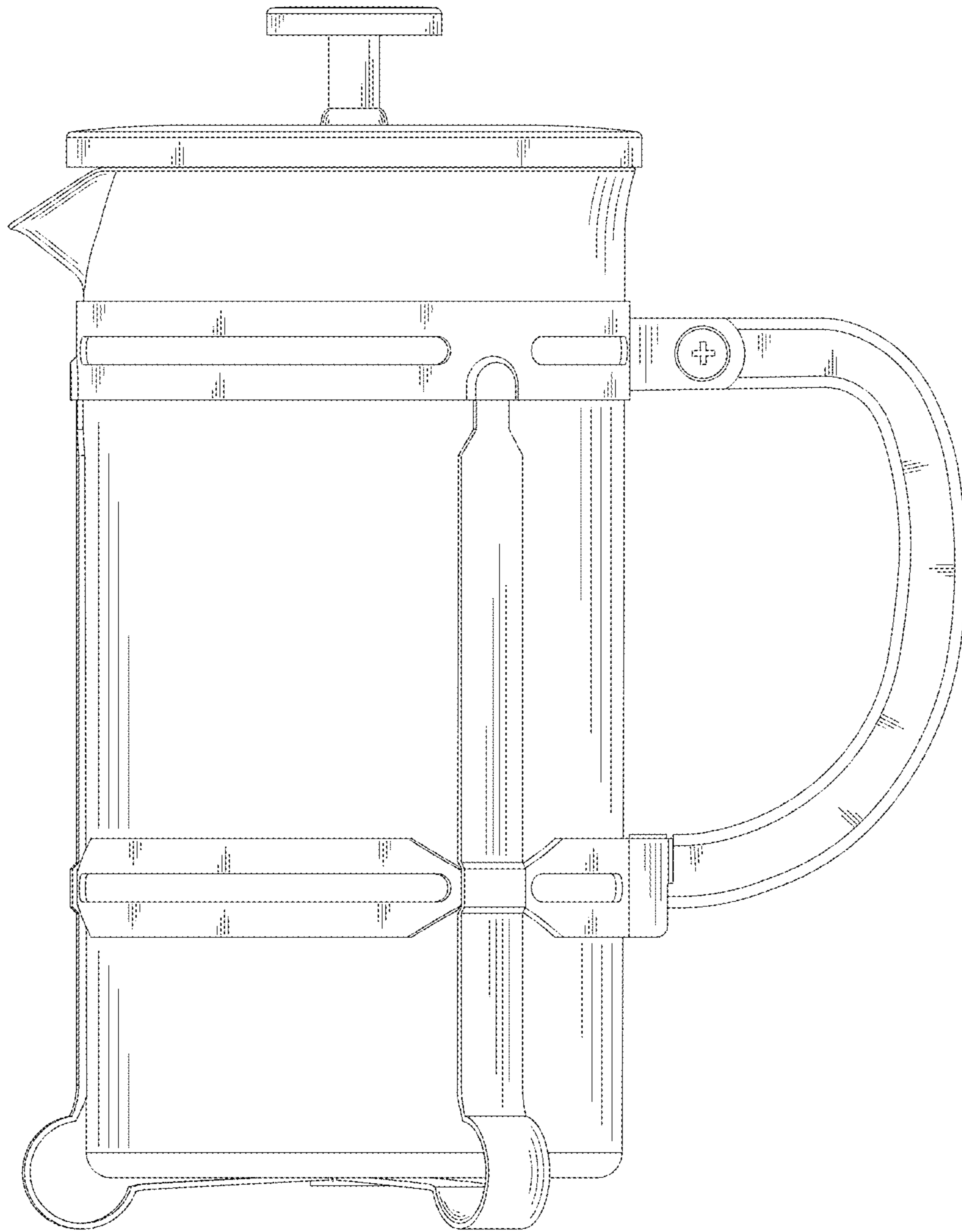


FIG. 4

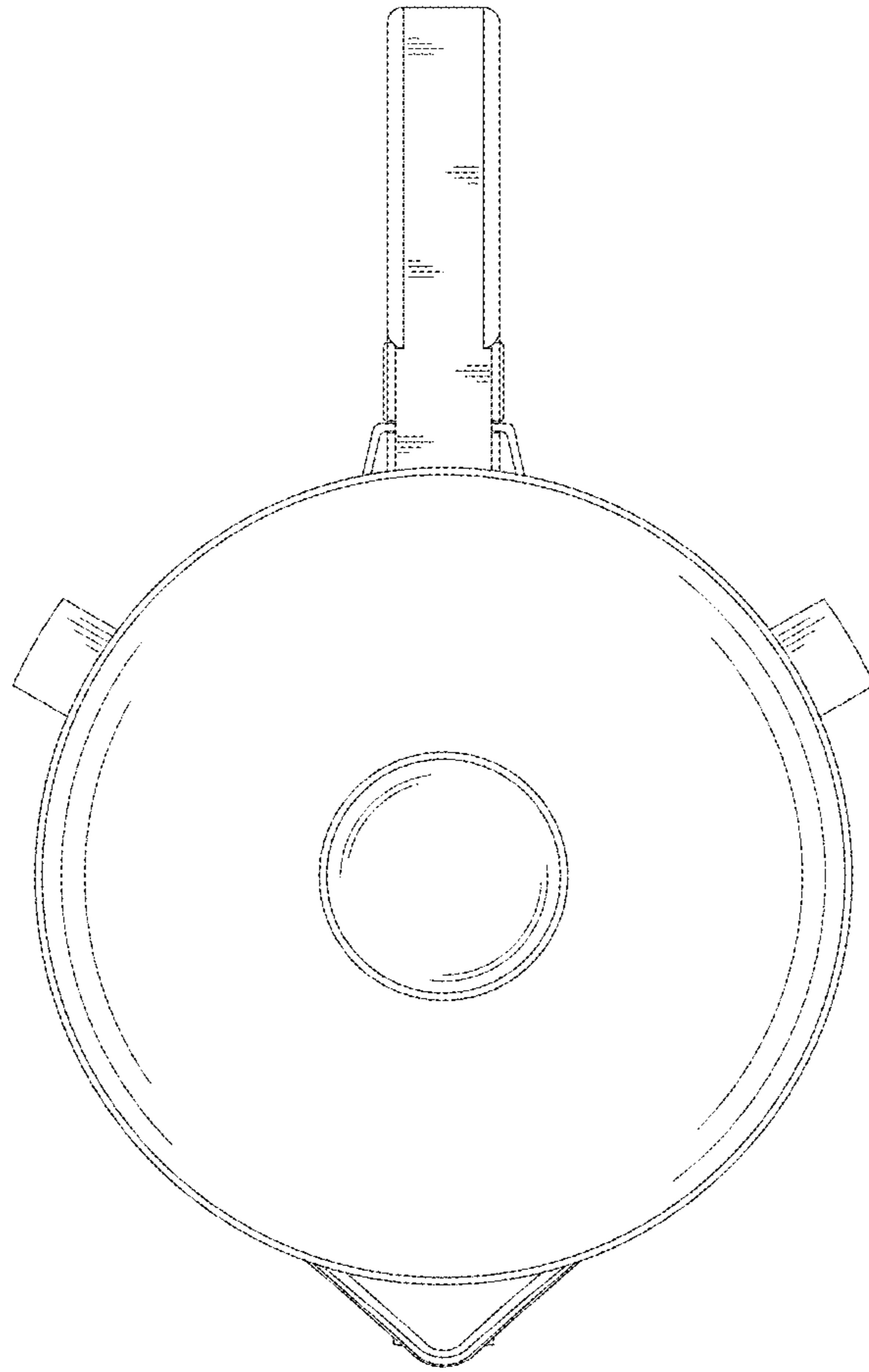


FIG. 5

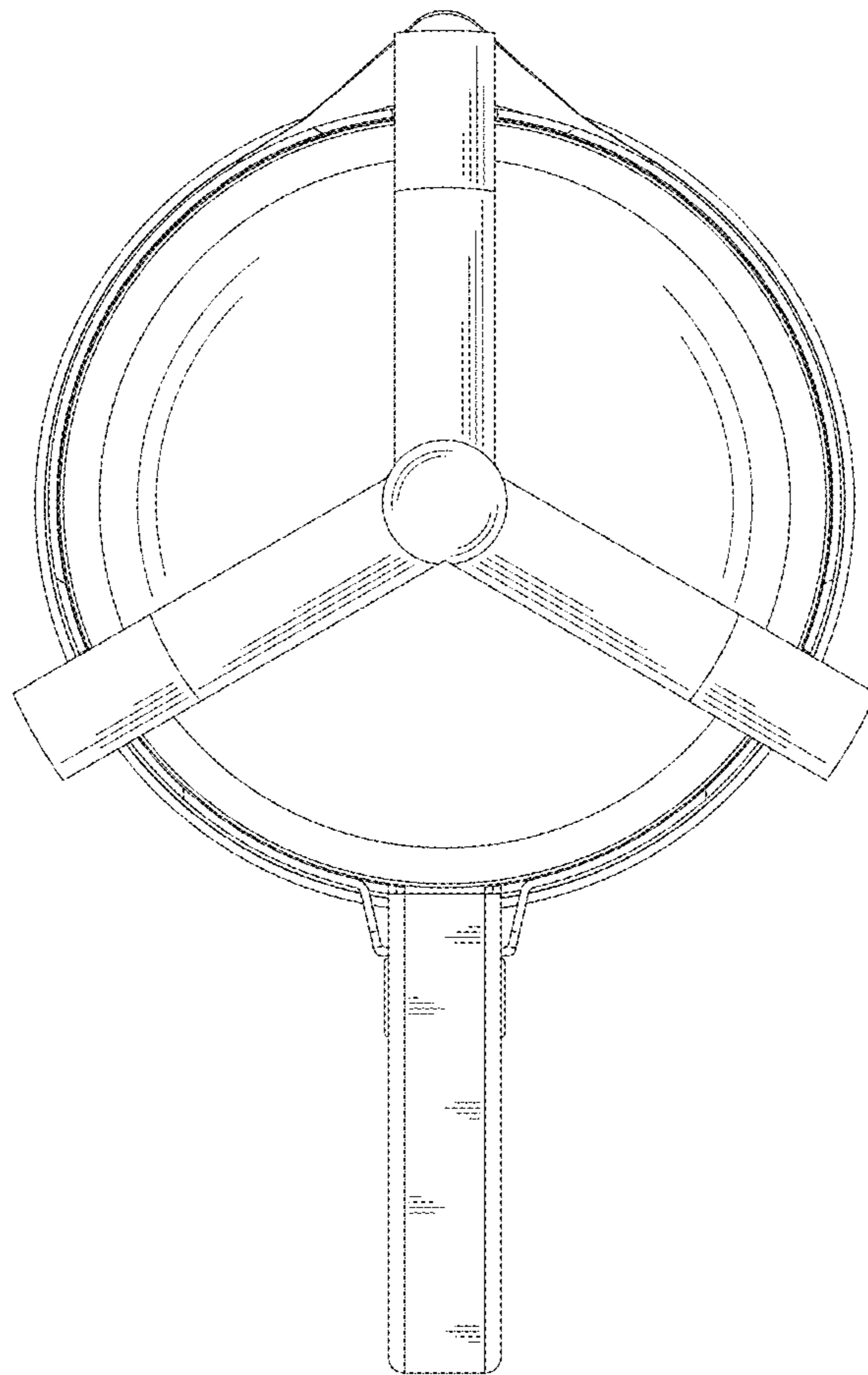


FIG. 6

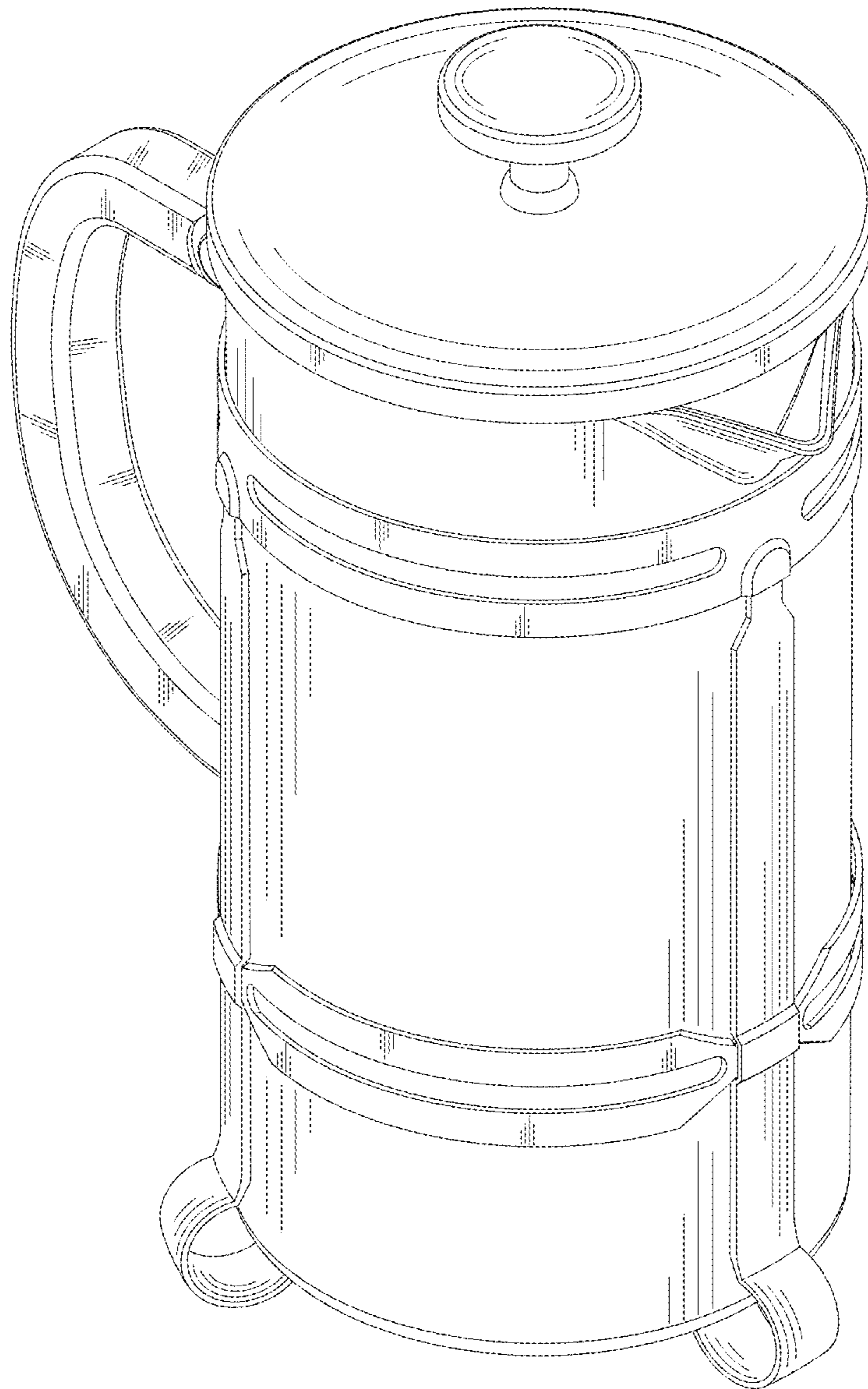


FIG. 7

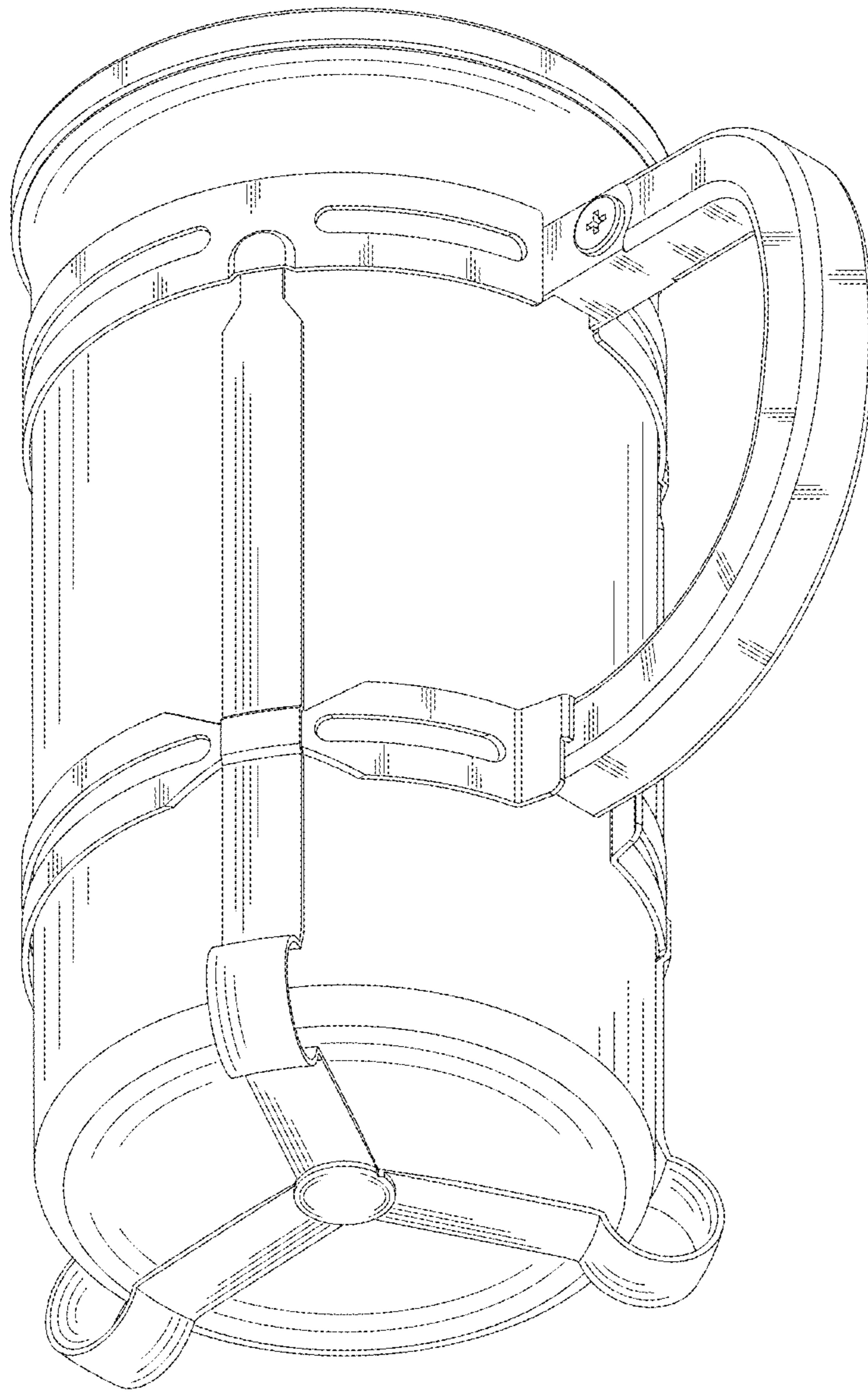


FIG. 8