

US00D97999S

(12) **United States Design Patent** (10) **Patent No.:** **US D979,999 S**
Larsen (45) **Date of Patent:** **** Mar. 7, 2023**

(54) **THERMOS COFFEE MAKER**
(71) Applicant: **Greg Larsen**, Novato, CA (US)
(72) Inventor: **Greg Larsen**, Novato, CA (US)
(**) Term: **15 Years**
(21) Appl. No.: **29/792,609**
(22) Filed: **Apr. 11, 2022**

Related U.S. Application Data

(63) Continuation of application No. 16/583,186, filed on Sep. 25, 2019, now Pat. No. 11,324,354.
(51) **LOC (14) Cl.** **07-01**
(52) **U.S. Cl.**
USPC **D7/300**
(58) **Field of Classification Search**
USPC D7/300, 302, 310, 312, 313, 317, 318,
D7/308, 398, 399, 400, 509, 510, 511,
D7/512, 532, 533, 538, 547, 602, 605,
D7/629
CPC A45F 3/16; A47G 19/12; A47G 19/14;
A47G 19/16; A47G 19/2205; A47G
19/2266; A47G 19/2272; A47G 21/185;
A47G 23/0216; A47G 23/0241; A47J
31/005; A47J 31/02; A47J 31/0605; A47J
31/14; A47J 31/20; A47J 31/043; A47J
31/44; A47J 31/46; A47J 31/047; A47J
31/053; A47J 43/27; A47J 41/005; A47J
41/0072; B65D 2581/3409
See application file for complete search history.

(56) **References Cited**
U.S. PATENT DOCUMENTS

D290,081 S * 6/1987 Colman D7/312
D590,660 S * 4/2009 Miller D7/532
D591,106 S * 4/2009 Dominique D7/532

D653,081 S * 1/2012 George D7/510
D653,492 S * 2/2012 Enghard D7/300.1
D720,184 S * 12/2014 Gilbert D7/300.1
D759,416 S * 6/2016 Kim D7/510
D761,607 S * 7/2016 Gamelli D7/300.1
D769,043 S * 10/2016 Gamelli D7/300.1
D796,905 S * 9/2017 Kestenbaum D7/532
D816,411 S * 5/2018 Stover D7/532
D823,032 S * 7/2018 Cailleton D7/300
D823,033 S * 7/2018 Cailleton D7/300
D823,034 S * 7/2018 Cailleton D7/300
D823,050 S * 7/2018 Neace, Jr. D7/397
D831,434 S * 10/2018 Washburn D7/509
D833,794 S * 11/2018 Cuffaro D7/317
D862,985 S * 10/2019 Backs D7/511
D867,806 S * 11/2019 Bodum D7/378
D872,536 S * 1/2020 Lane D9/523
D880,941 S * 4/2020 Silsby D7/532
D926,521 S * 8/2021 Gronkowski D7/510
D929,183 S * 8/2021 Wahl D7/511
D929,184 S * 8/2021 Wahl D7/511
D935,836 S * 11/2021 Wang D9/449
D954,503 S * 6/2022 Lu D7/529
D955,171 S * 6/2022 Clemens D7/510

(Continued)

Primary Examiner — Joseph Kukella
Assistant Examiner — Darryl J Dardenne
(74) *Attorney, Agent, or Firm* — Savantek Patent Services; Ivan E. Rozek

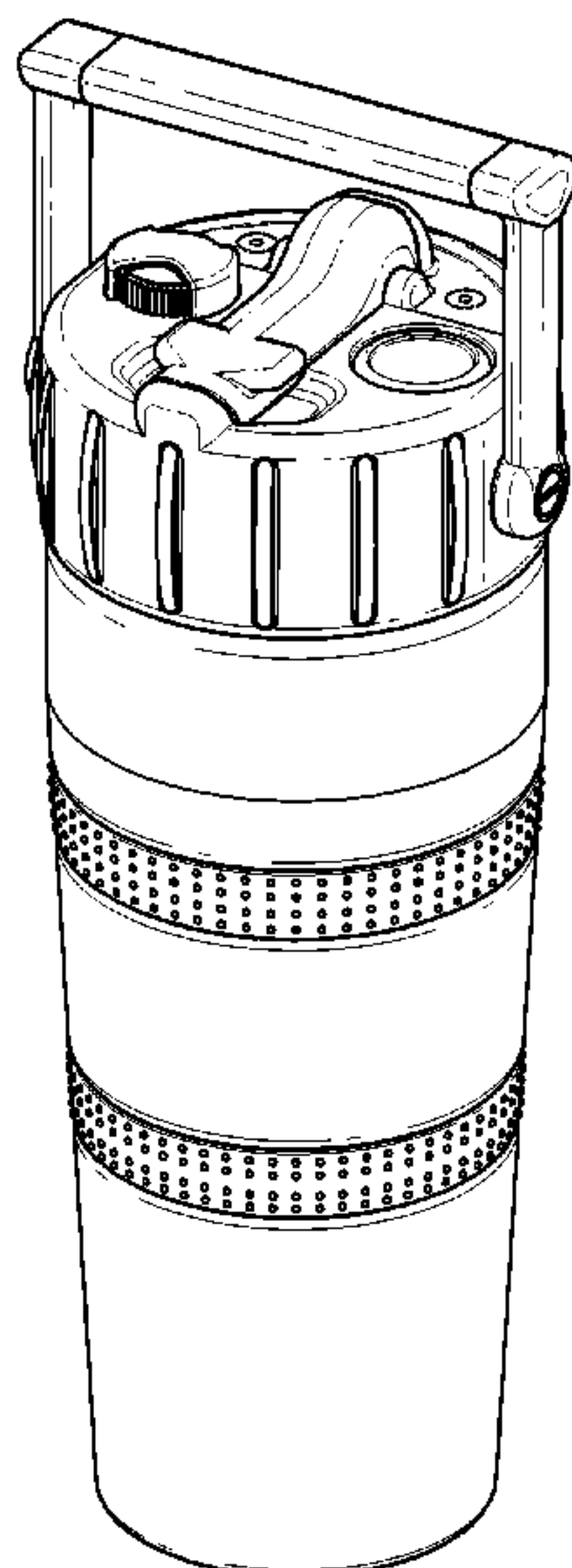
(57) **CLAIM**

The ornamental design for a thermos coffee maker, as shown and described.

DESCRIPTION

FIG. 1 is a perspective view of the thermos coffee maker with the pour spout in the down position.
FIG. 2 is a front view of the thermos coffee maker with the pour spout in the up position; and,
FIG. 3 is a rear view of the thermos coffee maker with the pour spout in the up position.

1 Claim, 3 Drawing Sheets



(56)

References Cited

U.S. PATENT DOCUMENTS

D955,173 S * 6/2022 Smith D7/511
D964,813 S * 9/2022 Chen D7/624.2
2020/0093313 A1* 3/2020 Larsen A47J 31/18

* cited by examiner

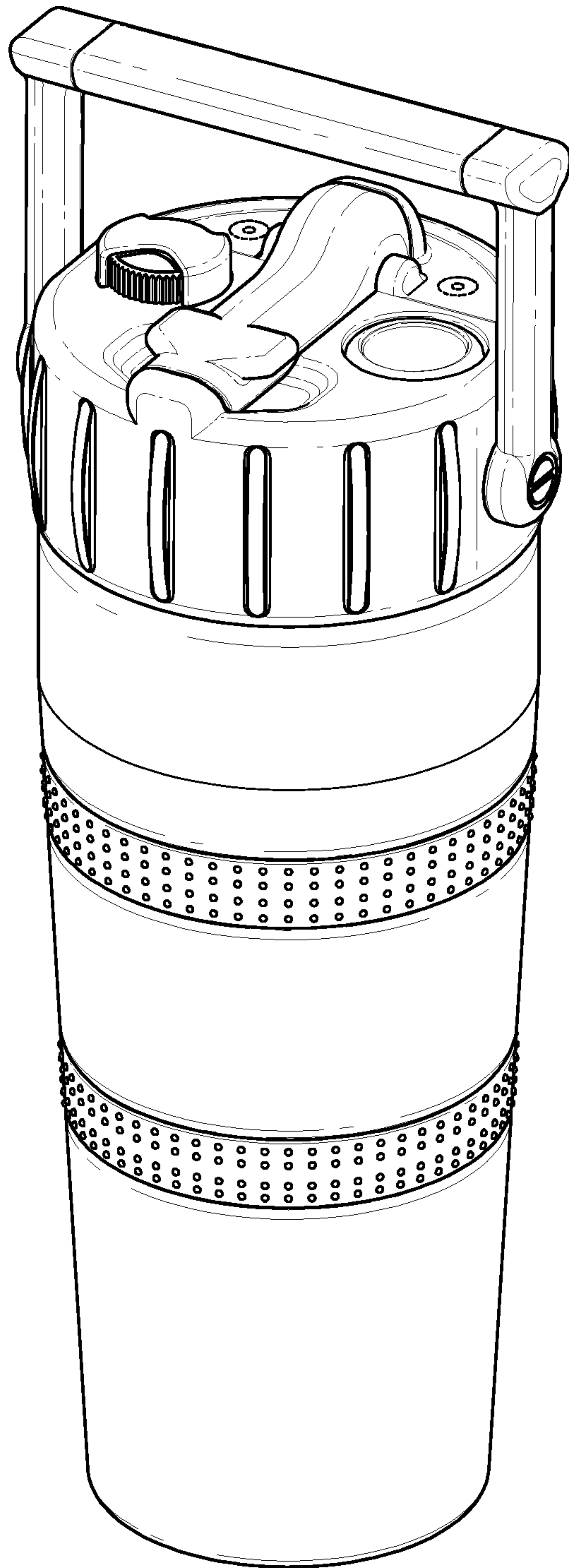


FIG. 1

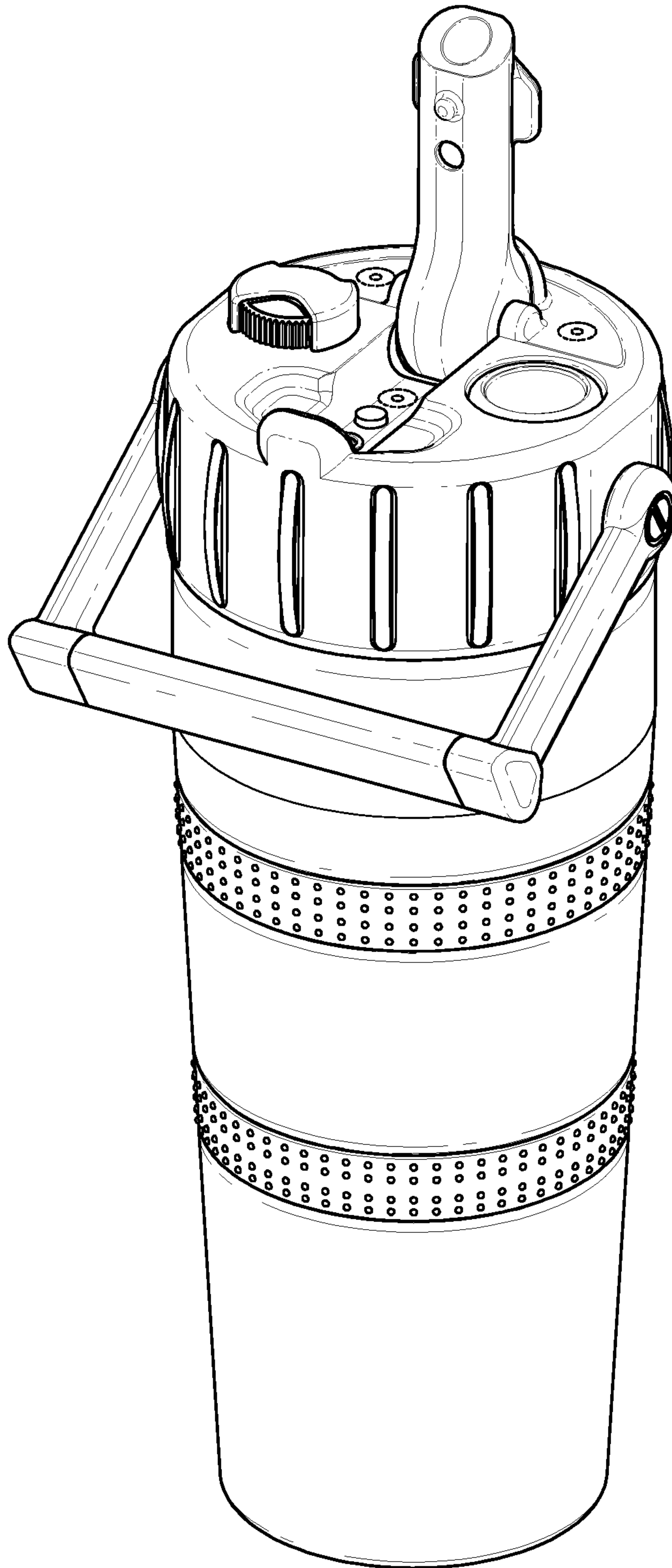


FIG. 2

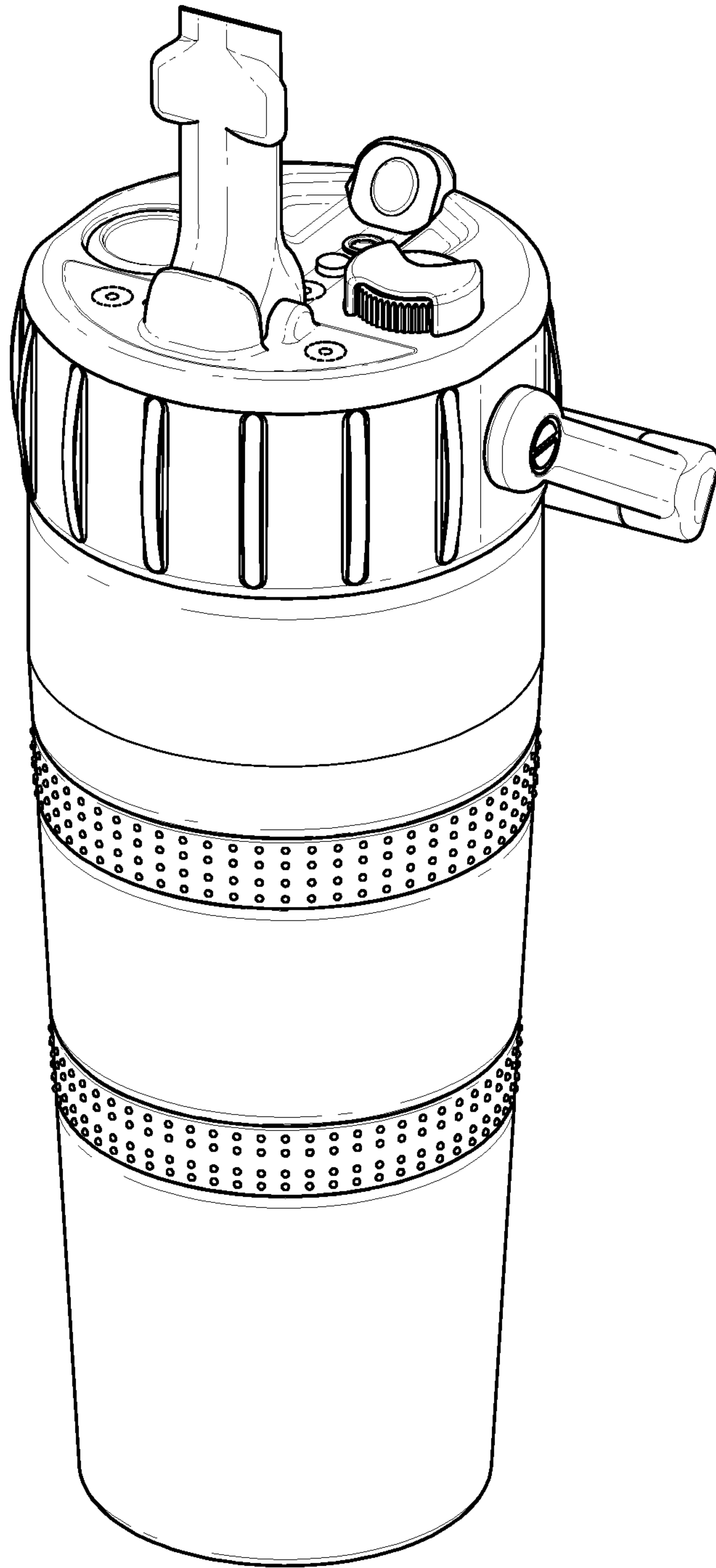


FIG. 3