



US00D979998S

(12) **United States Design Patent**
Belokin

(10) **Patent No.:** **US D979,998 S**

(45) **Date of Patent:** **** Mar. 7, 2023**

(54) **DISPLAY SHELF**

(71) Applicant: **Displays by Martin Paul, Inc.—Creative Center**, Denton, TX (US)

(72) Inventor: **Martin Belokin**, Denton, TX (US)

(**) Term: **15 Years**

(21) Appl. No.: **29/771,683**

(22) Filed: **Feb. 24, 2021**

(51) **LOC (14) Cl.** **06-06**

(52) **U.S. Cl.**
USPC **D6/705.1**

(58) **Field of Classification Search**
USPC D6/672, 673, 675, 675.1, 675.2, 675.3, D6/682, 682.1, 682.2, 682.3, 702, 705, D6/705.1, 705.4, 512–513, 709.2
CPC A47B 43/003; A47B 57/00; A47B 81/00; A47B 96/02; A47B 96/04; A47F 1/00; A47F 1/04; A47F 3/00; A47F 3/14; A47F 5/0018; A47F 5/0043; A47F 5/0081; A47F 5/0807
See application file for complete search history.

(56) **References Cited**

U.S. PATENT DOCUMENTS

D217,491 S * 5/1970 Wooters D32/55
D390,732 S * 2/1998 Nadar D6/705

D485,460 S * 1/2004 Bidwell D6/705.1
D586,148 S * 2/2009 Mason D6/705.7
D640,890 S * 7/2011 Belokin D6/574
D676,694 S * 2/2013 Daily D6/703
D766,023 S * 9/2016 Coretti, Jr. D6/705
D822,930 S * 7/2018 Green D32/55
D833,172 S * 11/2018 Belokin D6/570
D833,173 S * 11/2018 Belokin D6/574
D845,029 S * 4/2019 Belokin D6/569
D871,676 S * 12/2019 Quinn D6/682.2
D938,122 S * 12/2021 Chen A47L 19/04 D32/55

* cited by examiner

Primary Examiner — Kelley A Donnelly

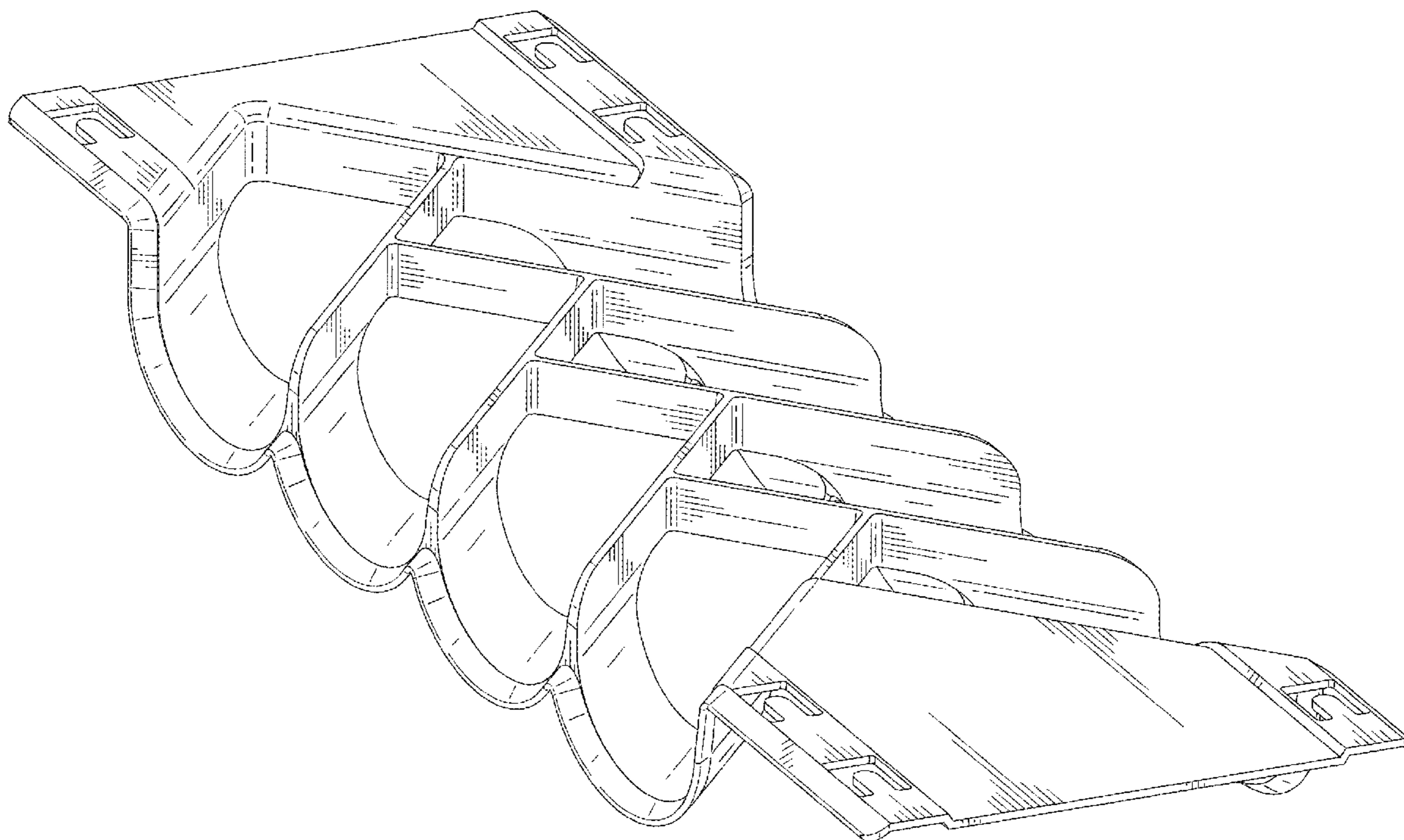
(57) **CLAIM**

The ornamental design for the display shelf, as shown and described.

DESCRIPTION

FIG. 1 is a front perspective view of the design; FIG. 2 is a front view of the design of FIG. 1; FIG. 3 is a back view of the design of FIG. 1; FIG. 4 is a left side view of the design of FIG. 1; FIG. 5 is a right side view of the design of FIG. 1; FIG. 6 is a top view of the design of FIG. 1; FIG. 7 is a bottom view of the design of FIG. 1; and, FIG. 8 is a rear perspective view of the design of FIG. 1.

1 Claim, 6 Drawing Sheets



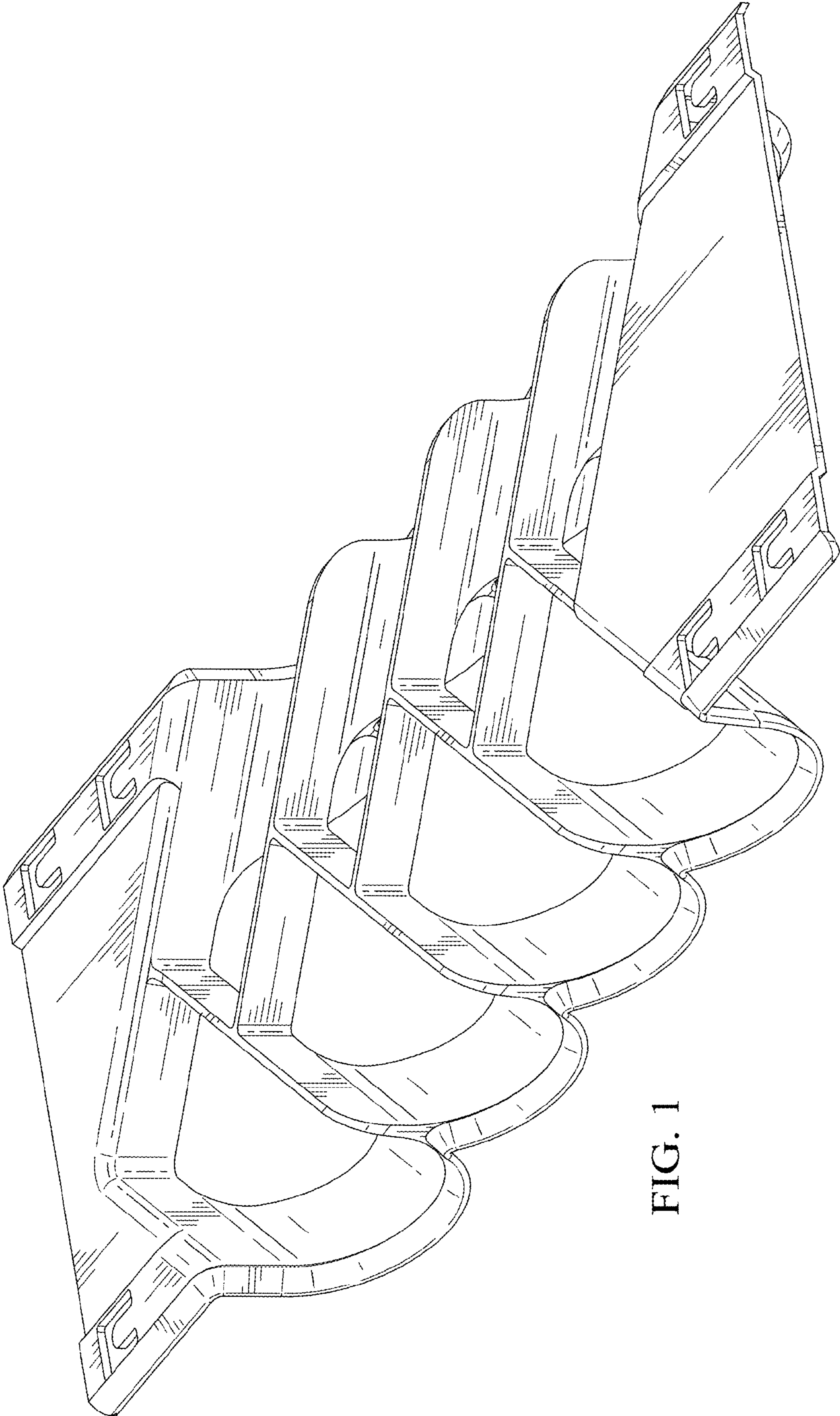


FIG. 1

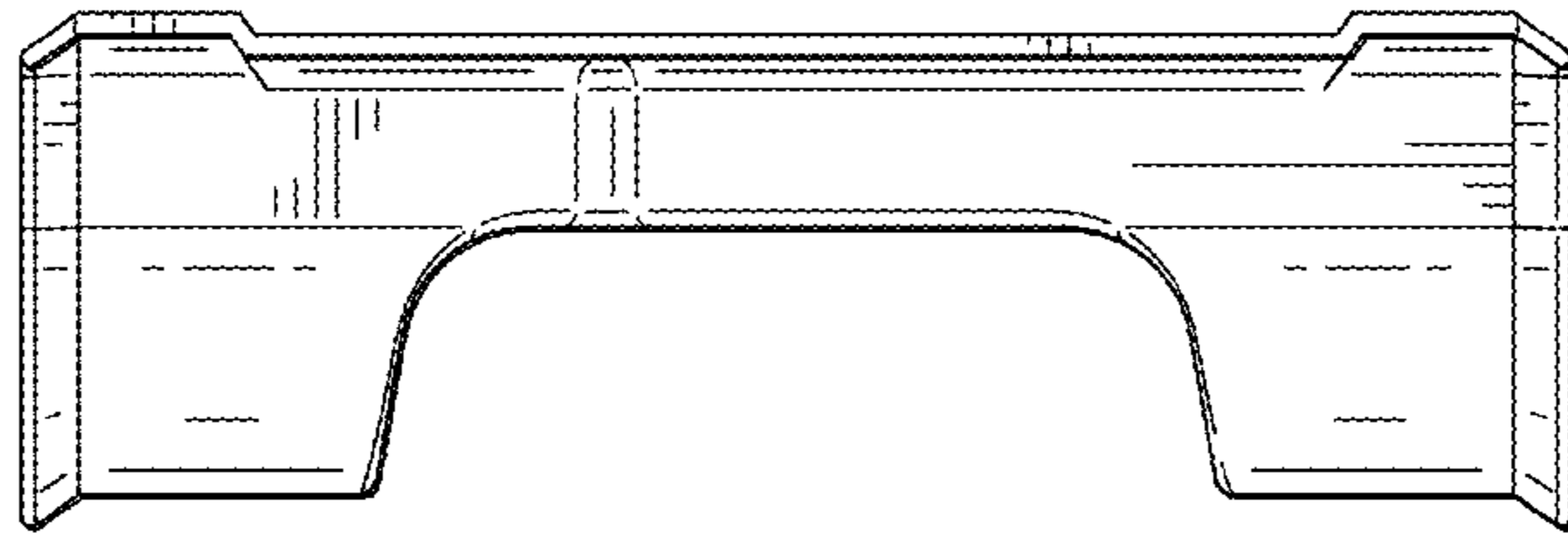


FIG. 2

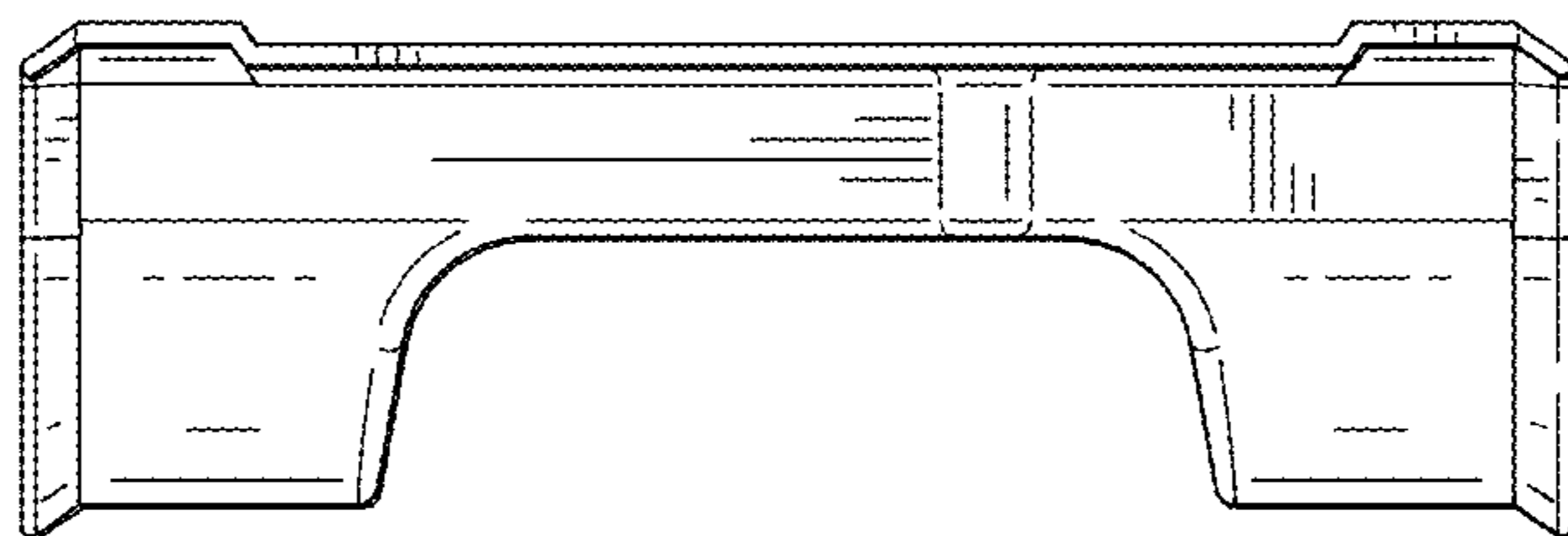


FIG. 3

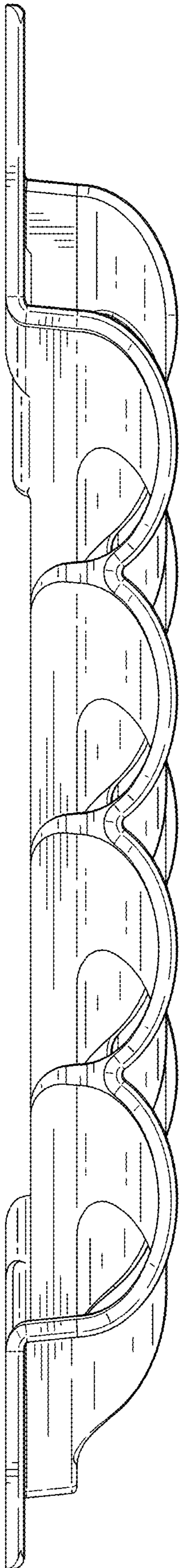


FIG. 4

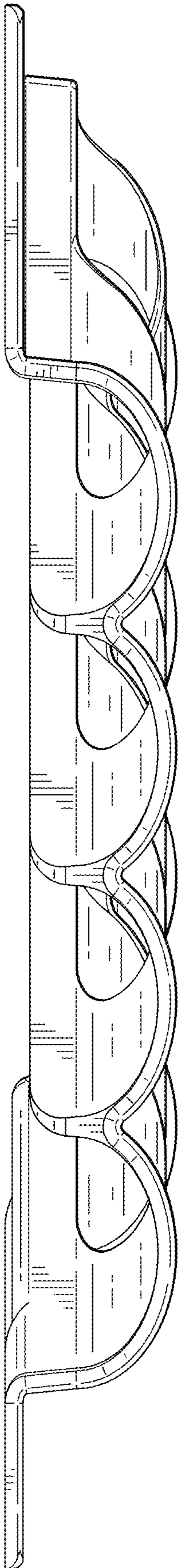


FIG. 5

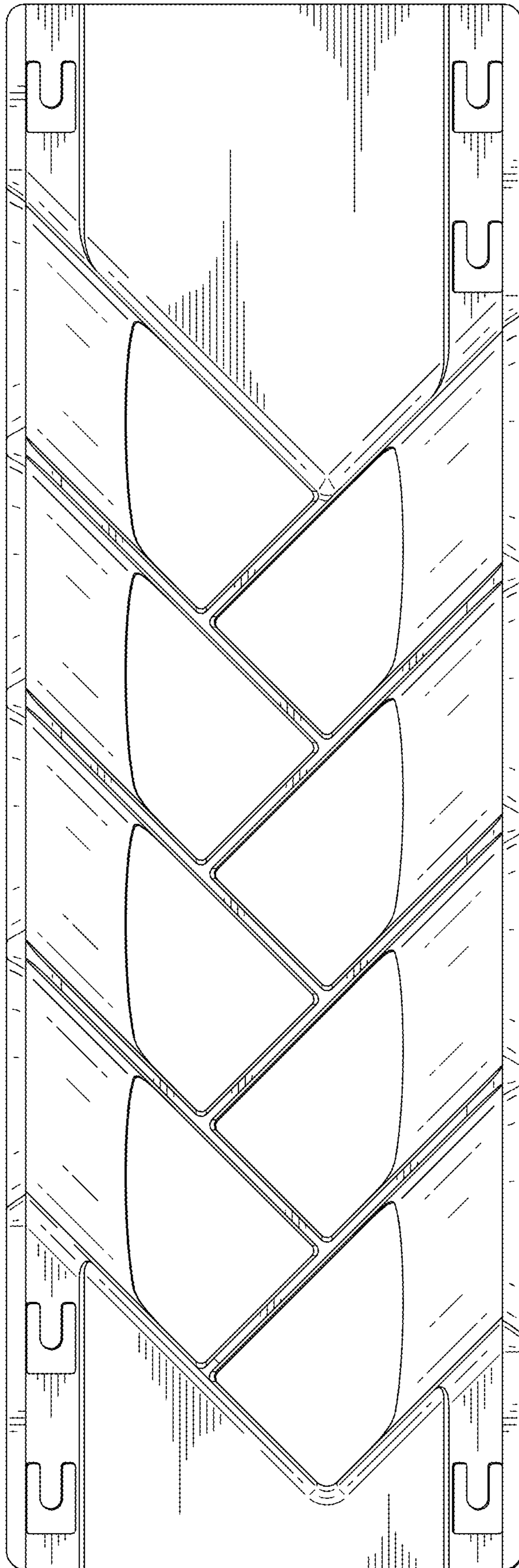


FIG. 6

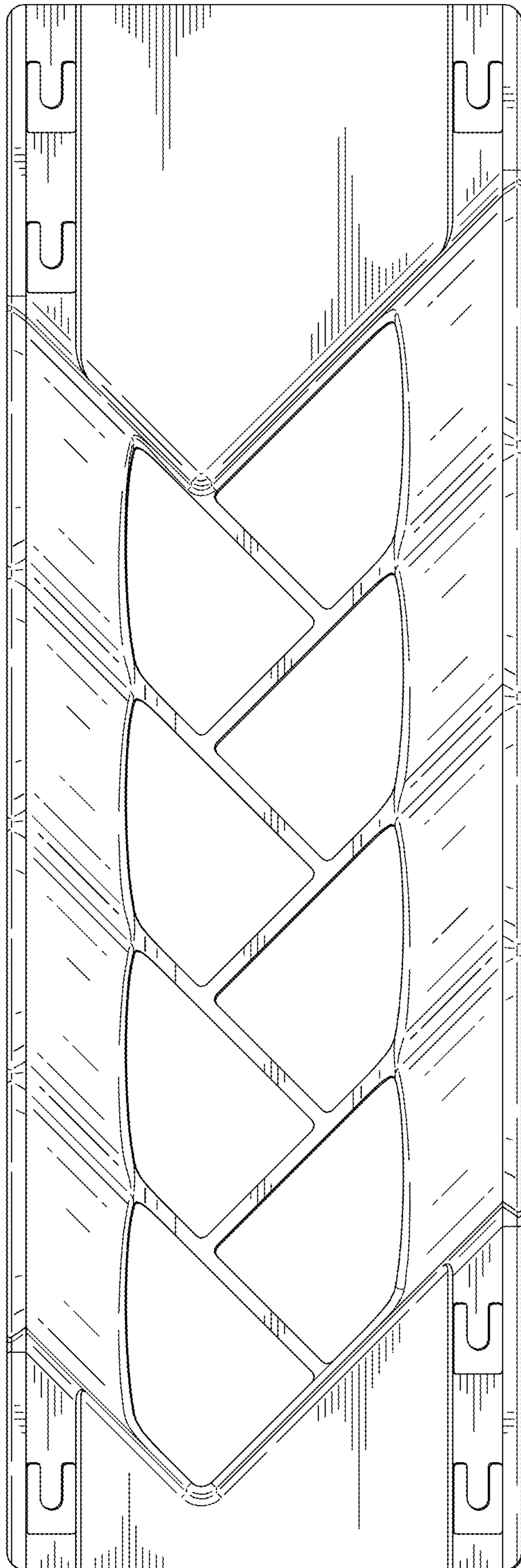


FIG. 7

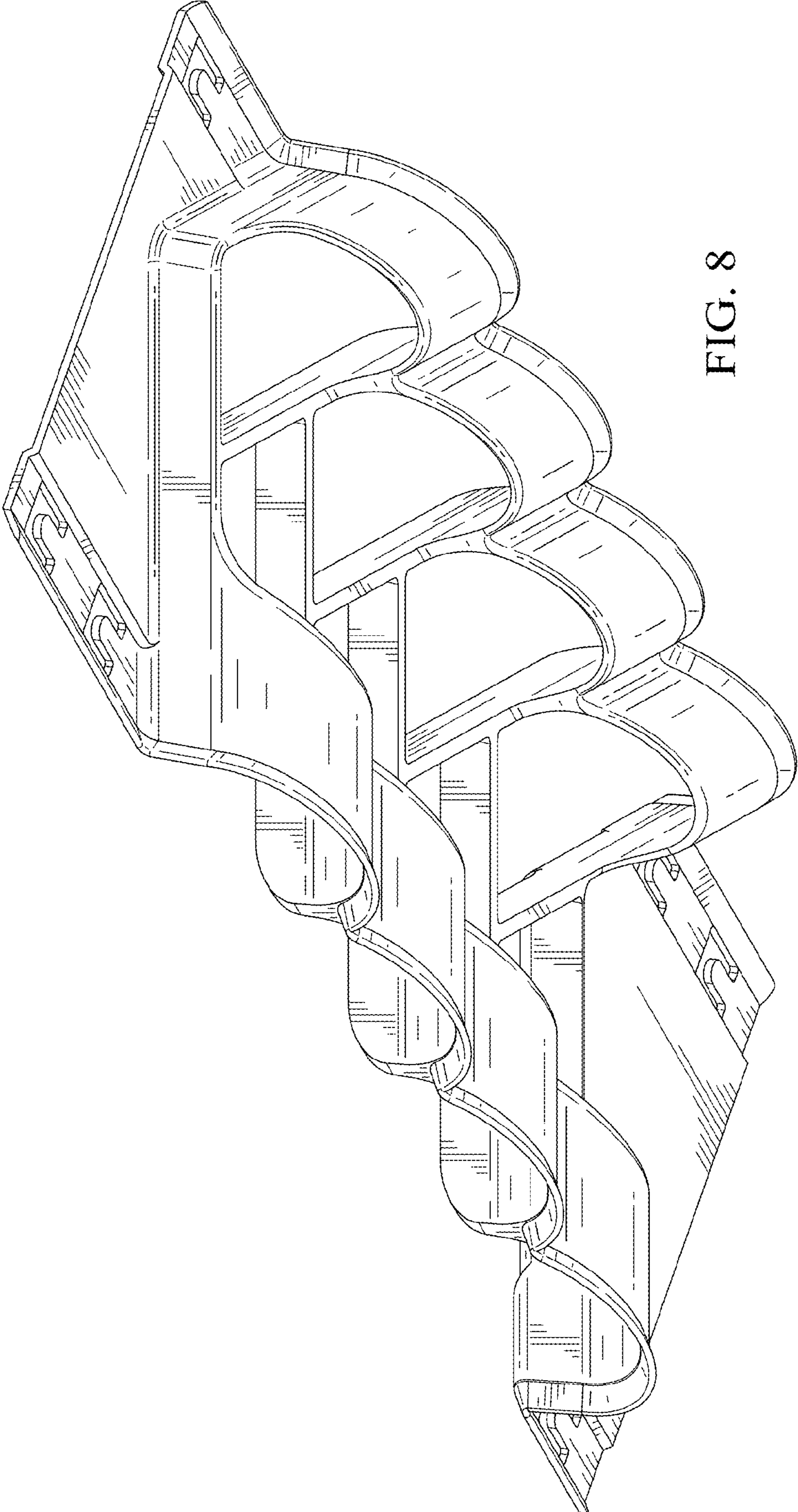


FIG. 8