



US00D979995S

(12) **United States Design Patent** (10) **Patent No.:** **US D979,995 S**
Holzappel (45) **Date of Patent:** **** Mar. 7, 2023**

(54) **FURNITURE SIDE PANEL**

(71) Applicant: **Julius Blum GmbH**, Hoechst (AT)

(72) Inventor: **Andreas Holzappel**, Bregenz (AT)

(73) Assignee: **Julius Blum GmbH**, Hoechst (AT)

(**) Term: **15 Years**

(21) Appl. No.: **35/513,098**

(22) Filed: **Jun. 9, 2021**

(80) **Hague Agreement Data**

Int. Filing Date: **Jun. 9, 2021**

Int. Reg. No.: **DM/216209**

Int. Reg. Date: **Jun. 9, 2021**

Int. Reg. Pub. Date: **Dec. 10, 2021**

(30) **Foreign Application Priority Data**

Dec. 11, 2020 (EM) 8319339

(51) **LOC (14) Cl.** **06-04**

(52) **U.S. Cl.**
USPC **D6/703**

(58) **Field of Classification Search**

USPC D6/657, 662, 662.1, 663, 664, 671,
D6/671.1, 671.2, 671.3, 671.4, 703,
D6/703.2; D8/323

CPC A47B 47/00; A47B 17/04; A47B 45/00;
A47B 47/03; A47B 47/04; A47B 57/00;
A47B 63/00; A47B 67/00; A47B 67/04;
A47B 47/042; A47B 47/045; A47B
47/05; A47B 96/00; A47B 96/20; A47B
2096/207

See application file for complete search history.

(56) **References Cited**

U.S. PATENT DOCUMENTS

D300,097	S	*	3/1989	Cook	D6/703
D615,325	S	*	5/2010	Holcomb	D6/703
D932,869	S	*	10/2021	Holzappel	D8/323
2016/0368310	A1	*	12/2016	Boychuk	A47B 96/207
2017/0079433	A1	*	3/2017	Derelov	A47B 47/042
2017/0350181	A1	*	12/2017	Kun	A47B 96/00
2019/0166990	A1	*	6/2019	Stack	A47B 47/042
2020/0069048	A1	*	3/2020	Derelöv	A47B 47/042
2021/0204691	A1	*	7/2021	Duesler	A47B 47/05
2021/0227973	A1	*	7/2021	Sandberg	A47B 47/042
2022/0257007	A1	*	8/2022	Sheikhi	A47B 47/05

* cited by examiner

Primary Examiner — Mimosa De

(74) *Attorney, Agent, or Firm* — Wenderoth, Lind & Ponack, L.L.P.

(57) **CLAIM**

The ornamental design for furniture side panel, as shown and described.

DESCRIPTION

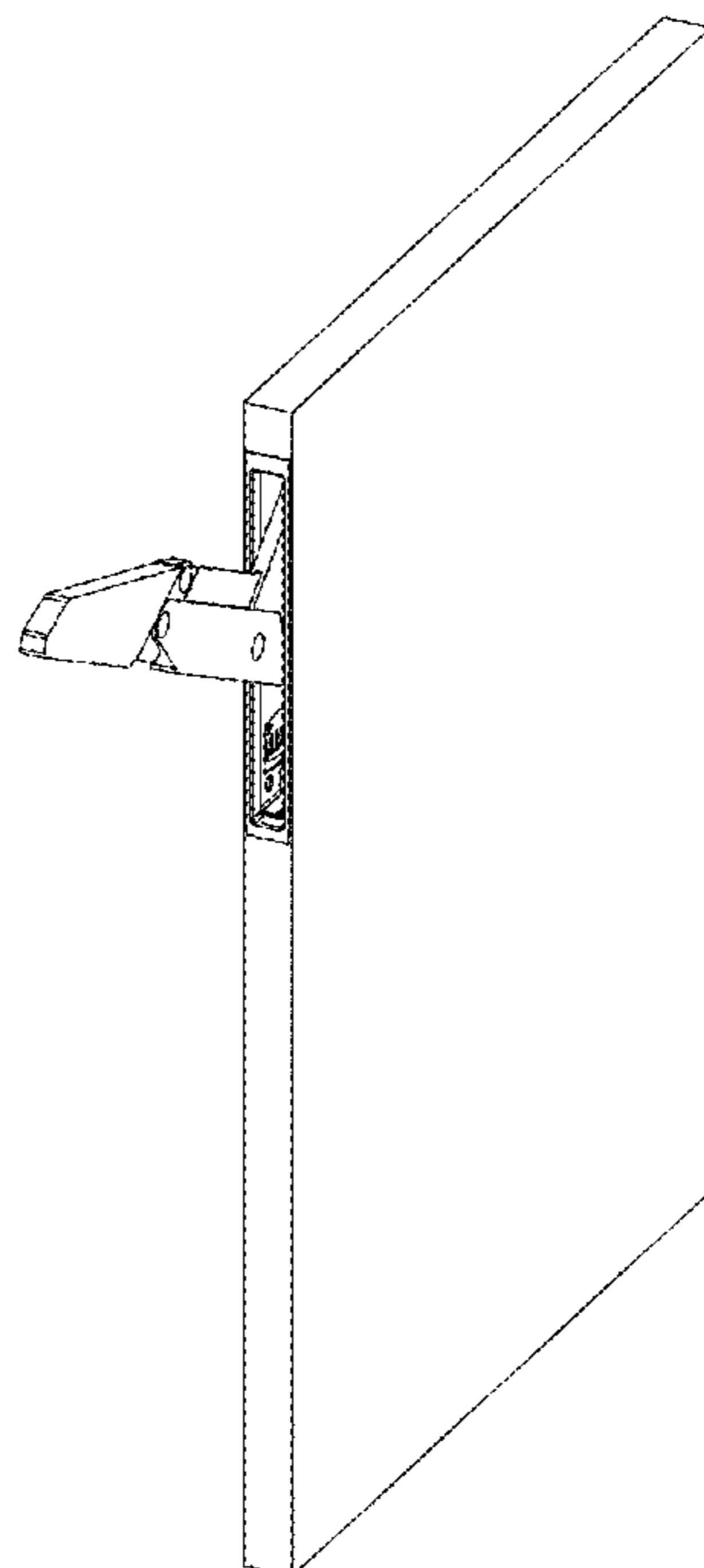
1. Furniture side panel

1.1 : Perspective

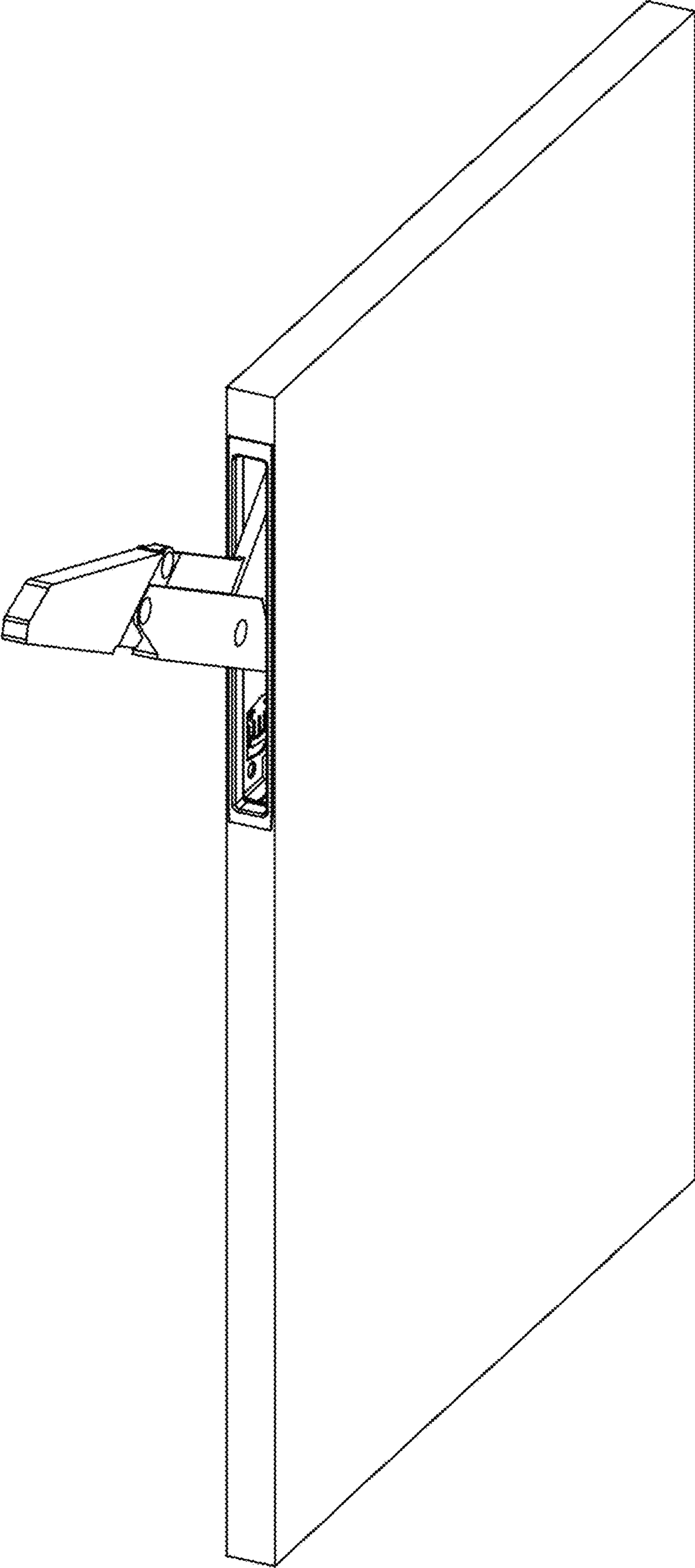
1.2 : Enlarged

The design shows a furniture side panel with an actuating-arm drive for furniture flaps with a setting scale; view **1.2** is an enlarged view of the scale of view **1.1**, the enlarged view **1.2** being taken from the left side under the actuating-arm drive; broken lines in view **1.2** indicate matter for which protection is not sought.

1 Claim, 2 Drawing Sheets



1.1



1.2

