



US00D979991S

(12) **United States Design Patent**
Keller et al.

(10) **Patent No.:** **US D979,991 S**

(45) **Date of Patent:** **** Mar. 7, 2023**

(54) **SHELVING SYSTEM**

(71) Applicant: **Vitra AG**, Birsfelden (CH)

(72) Inventors: **Stefan Keller**, Steinen (DE); **Helmut Schutt**, Mullheim-Hugelheim (DE)

(73) Assignee: **Vitra AG**, Birsfelden (CH)

(**) Term: **15 Years**

(21) Appl. No.: **29/737,499**

(22) Filed: **Jun. 9, 2020**

(30) **Foreign Application Priority Data**

Dec. 11, 2019 (WO) WIPO90132

(51) **LOC (14) Cl.** **06-06**

(52) **U.S. Cl.**
USPC **D6/678.1**

(58) **Field of Classification Search**

USPC D6/672, 675, 675.1, 678, 678.1, 678.3,
D6/678.4, 680.2, 680.3, 681-682

CPC A47B 45/00; A47B 57/00; A47B 47/0047;
A47B 47/04

See application file for complete search history.

(56) **References Cited**

U.S. PATENT DOCUMENTS

D319,934 S * 9/1991 Terrell D6/675.1
D364,055 S * 11/1995 Pakla D6/675.1

D400,375 S * 11/1998 Peng-Hui D6/675.1
D683,160 S * 5/2013 Williams D6/675.1
D825,233 S * 8/2018 Yamamoto D6/675.1
D836,366 S * 12/2018 Brenzy D6/675.1
D852,559 S * 7/2019 Eteläaho D6/681.2
D855,361 S * 8/2019 Eteläaho D6/681.2
D866,229 S * 11/2019 Wu D6/675.1
D871,116 S * 12/2019 Li D6/675.1
D913,732 S * 3/2021 Allen D6/675.1
D920,013 S * 5/2021 Chu D6/675.1
D930,406 S * 9/2021 Li D6/675.1
D946,938 S * 3/2022 Brenzy D6/675.1

* cited by examiner

Primary Examiner — Kelley A Donnelly

(74) *Attorney, Agent, or Firm* — Dentons US LLP

(57) **CLAIM**

An ornamental design of a shelving system, as shown and described.

DESCRIPTION

FIG. 1 is a perspective view of a shelving system;
FIG. 2 is a front view thereof;
FIG. 3 is a right view thereof;
FIG. 4 is a back view thereof;
FIG. 5 is a left view thereof;
FIG. 6 is a top view thereof; and,
FIG. 7 is a bottom view thereof.

1 Claim, 7 Drawing Sheets

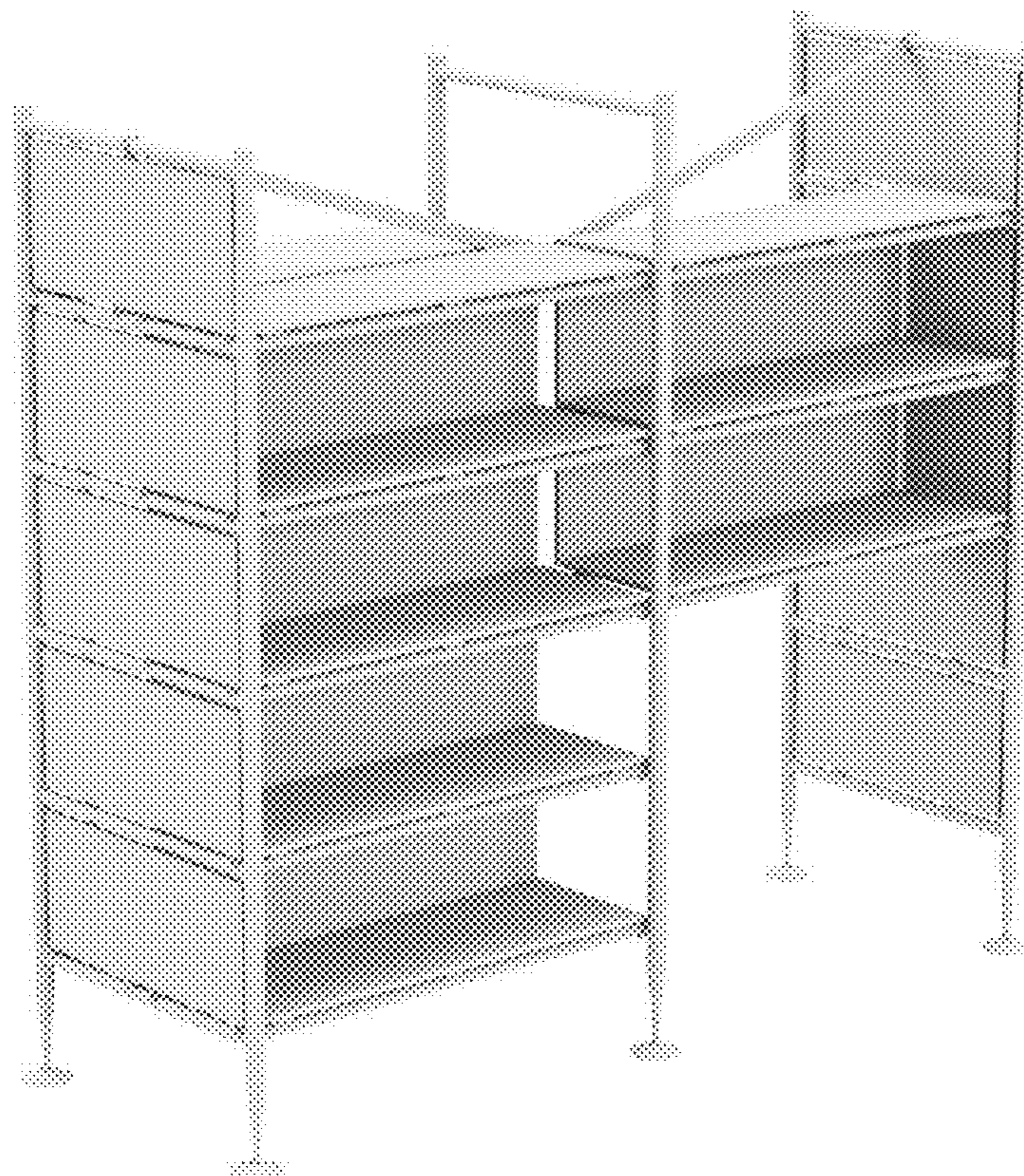




FIG. 1



FIG. 2

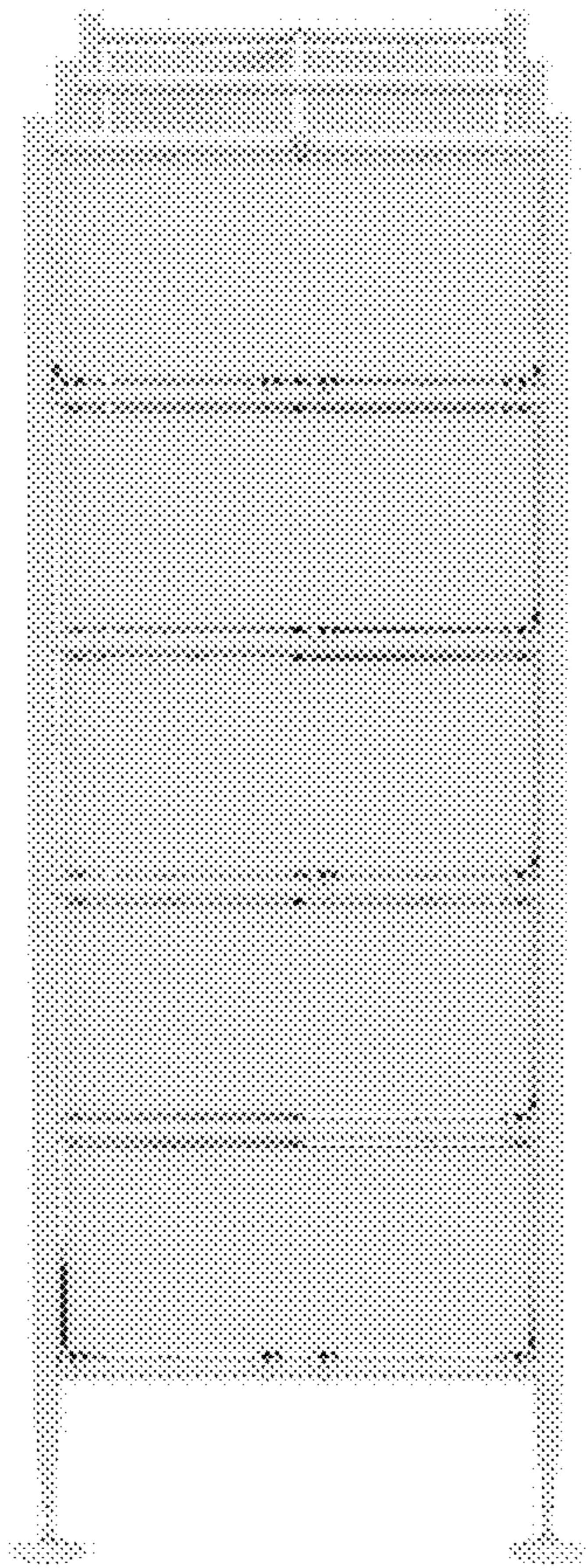


FIG. 3

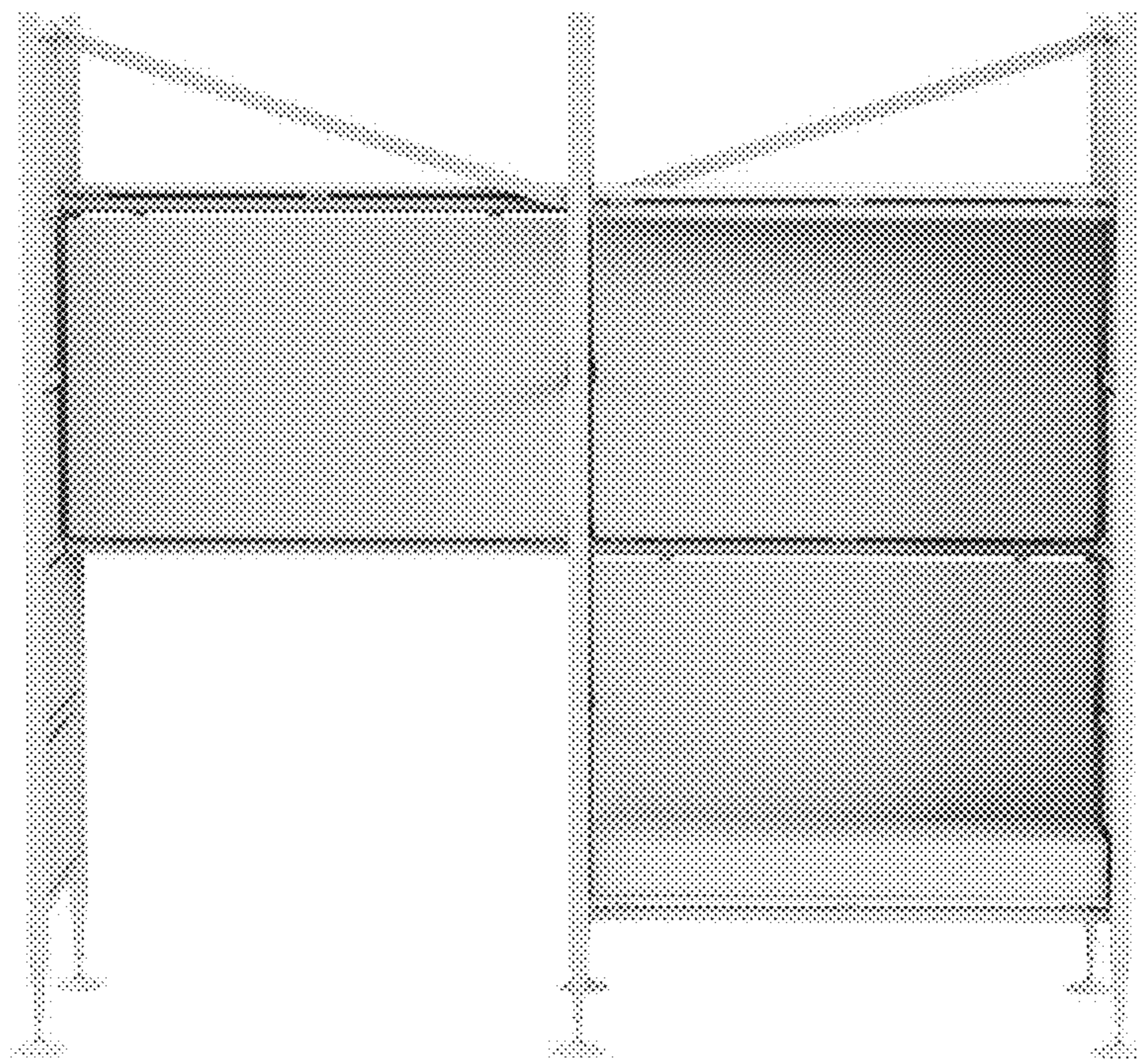


FIG. 4

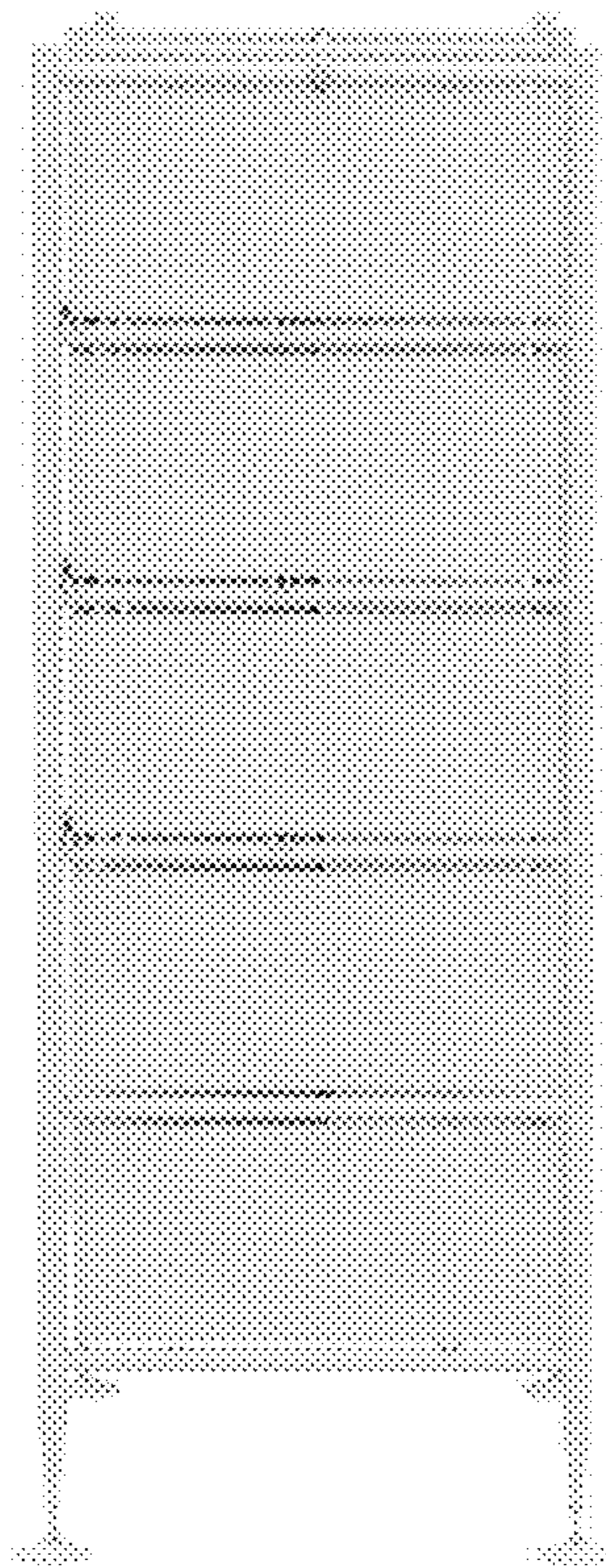


FIG. 5

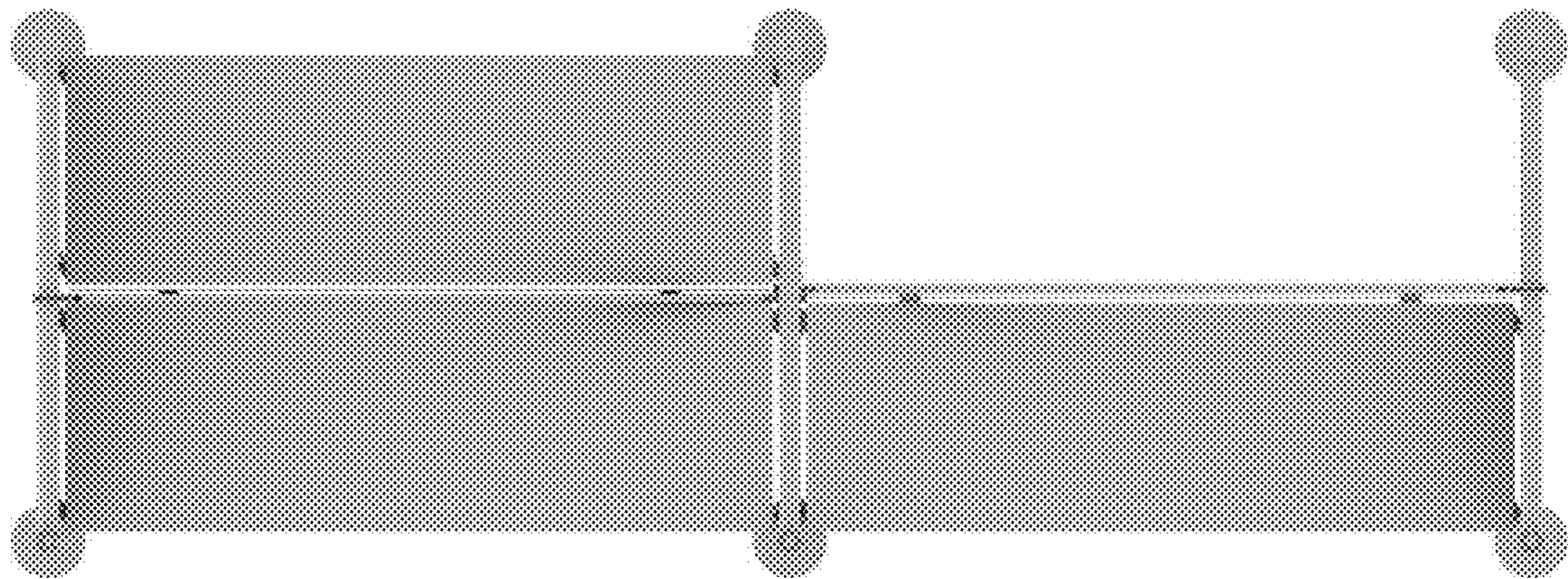


FIG. 6

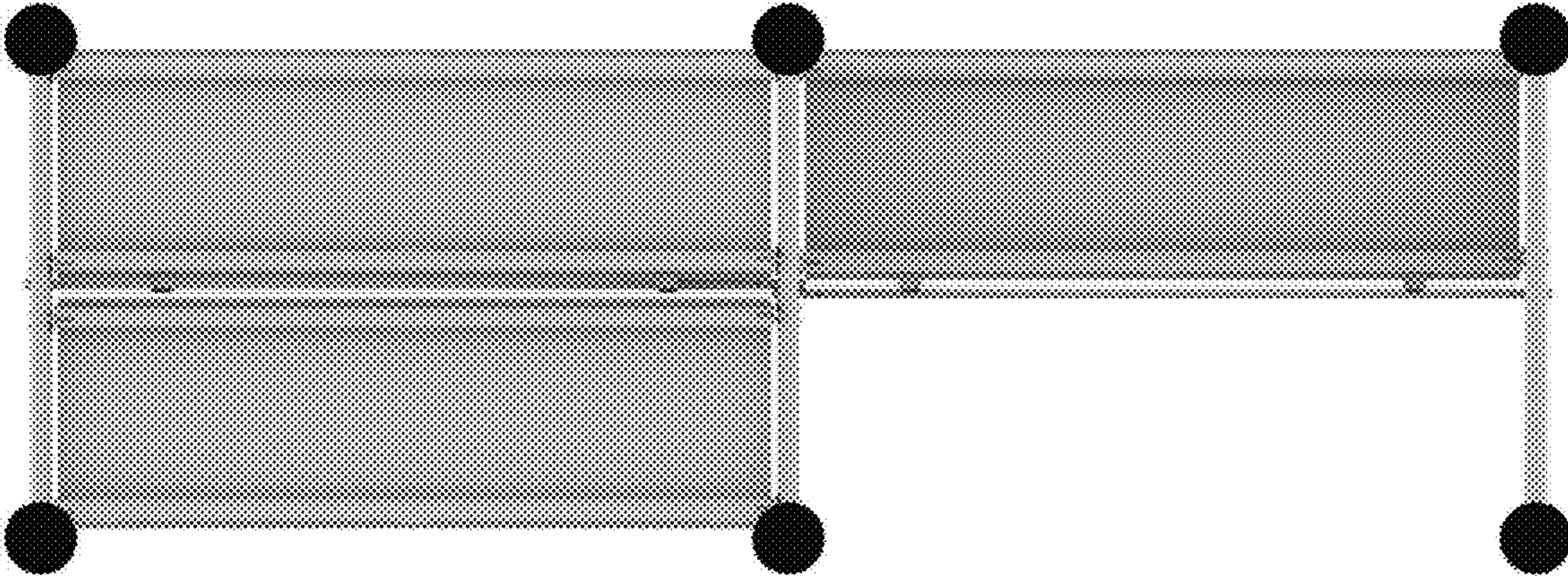


FIG. 7