

US00D979990S

(12) **United States Design Patent** (10) **Patent No.:** **US D979,990 S**  
**Ren** (45) **Date of Patent:** **\*\* Mar. 7, 2023**

(54) **STORAGE CABINET**  
(71) Applicant: **Henan Xingdu Furniture Co., Ltd.**,  
Luoyang (CN)  
(72) Inventor: **Yugang Ren**, Luoyang (CN)  
(73) Assignee: **Henan Xingdu Furniture Co., Ltd.**,  
Luoyang (CN)  
(\*\*) Term: **15 Years**  
(21) Appl. No.: **29/850,385**  
(22) Filed: **Aug. 19, 2022**  
(51) **LOC (14) Cl.** ..... **06-04**  
(52) **U.S. Cl.**  
USPC ..... **D6/671**  
(58) **Field of Classification Search**  
USPC ..... D6/661, 663, 667, 671, 705, 660, 662.1,  
D6/671.1; D21/318; D3/296; D99/43  
CPC ..... A47B 63/02; A47B 67/00; A47B 67/02;  
A47B 67/04; A47B 43/00; A47J 39/006;  
A47G 29/20  
See application file for complete search history.

D922,803 S \* 6/2021 van Thiel ..... D6/671.1  
D944,041 S \* 2/2022 Xiao ..... D6/671  
D965,354 S \* 10/2022 Wang ..... D6/671.1  
D968,134 S \* 11/2022 Li ..... D6/671.1  
D971,649 S \* 12/2022 Xiao ..... D6/671  
D971,650 S \* 12/2022 Wang ..... D6/671.1  
D972,345 S \* 12/2022 Gao ..... D6/671.1

\* cited by examiner

*Primary Examiner* — Kevin K Rudzinski  
*Assistant Examiner* — Paul D Bohannon  
(74) *Attorney, Agent, or Firm* — Jeenam Park

(57) **CLAIM**

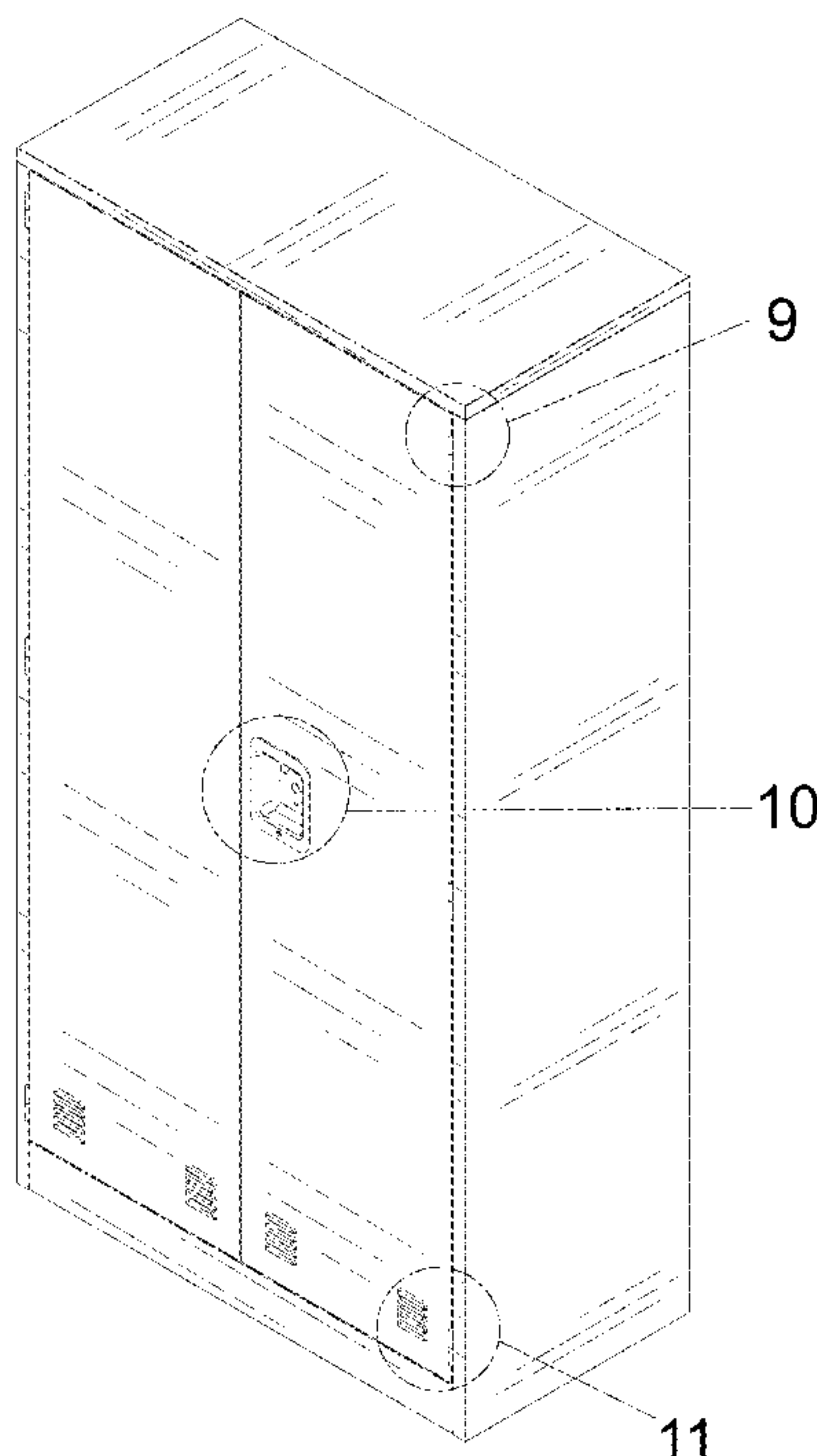
The ornamental design for a storage cabinet, as shown and described.

**DESCRIPTION**

FIG. 1 is a perspective storage cabinet, showing my new design;  
FIG. 2 is another perspective view thereof;  
FIG. 3 is a front view thereof;  
FIG. 4 is a rear view thereof;  
FIG. 5 is a left side view thereof;  
FIG. 6 is a right side view thereof;  
FIG. 7 is a top plan view thereof;  
FIG. 8 is a bottom plan view thereof;  
FIG. 9 is an enlarged view of portion of FIG. 1 thereof;  
FIG. 10 is an enlarged view of portion of FIG. 1 thereof;  
FIG. 11 is an enlarged view of portion of FIG. 1 thereof; and,  
FIG. 12 is an enlarged view of portion of FIG. 8 thereof.  
The broken lines shown in the drawings illustrate portions of the storage cabinet that form no part of the claimed design.

**1 Claim, 12 Drawing Sheets**

(56) **References Cited**  
U.S. PATENT DOCUMENTS  
D459,614 S \* 7/2002 Grosfillex ..... D6/671.1  
D580,195 S \* 11/2008 Daino ..... D6/703  
D642,400 S \* 8/2011 Koehn ..... D6/668.1  
D703,982 S 5/2014 Schmidt et al.  
D711,169 S 8/2014 Anderson et al.  
D732,322 S \* 6/2015 Anderson ..... D6/671  
D811,132 S \* 2/2018 Ni ..... D6/671.1  
D824,194 S \* 7/2018 Kagan ..... D6/671.1  
D910,345 S \* 2/2021 Li ..... D6/671.1



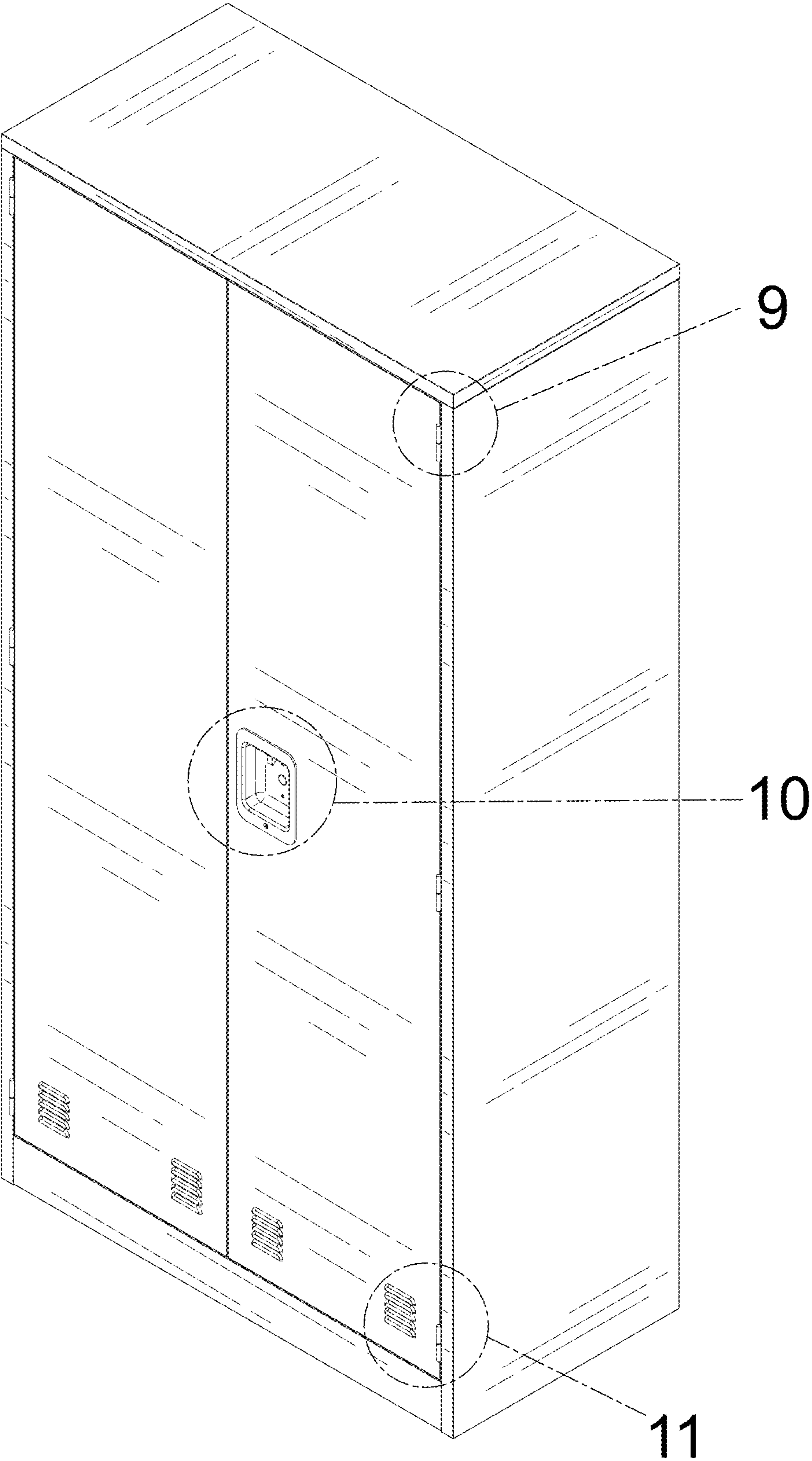


FIG. 1

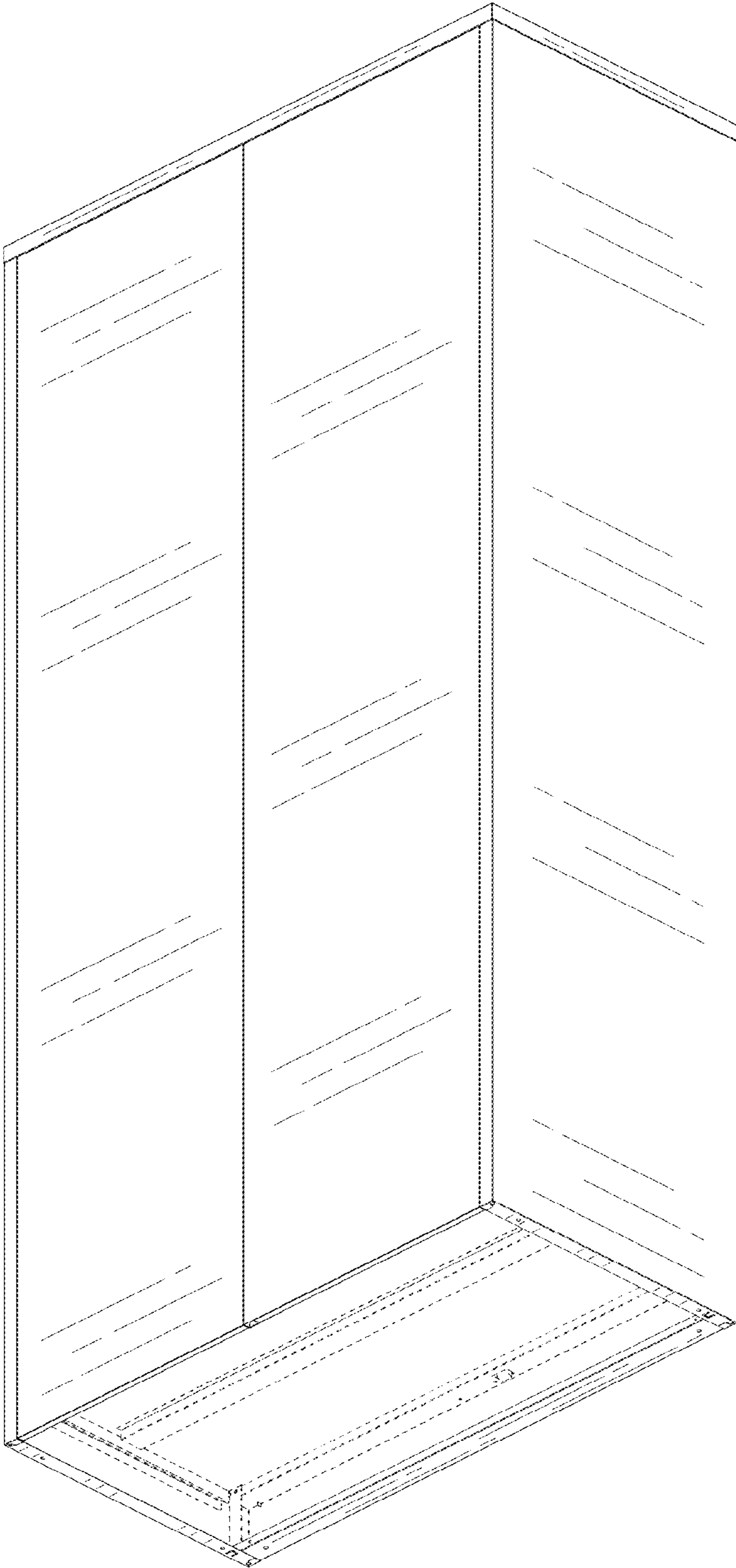


FIG. 2

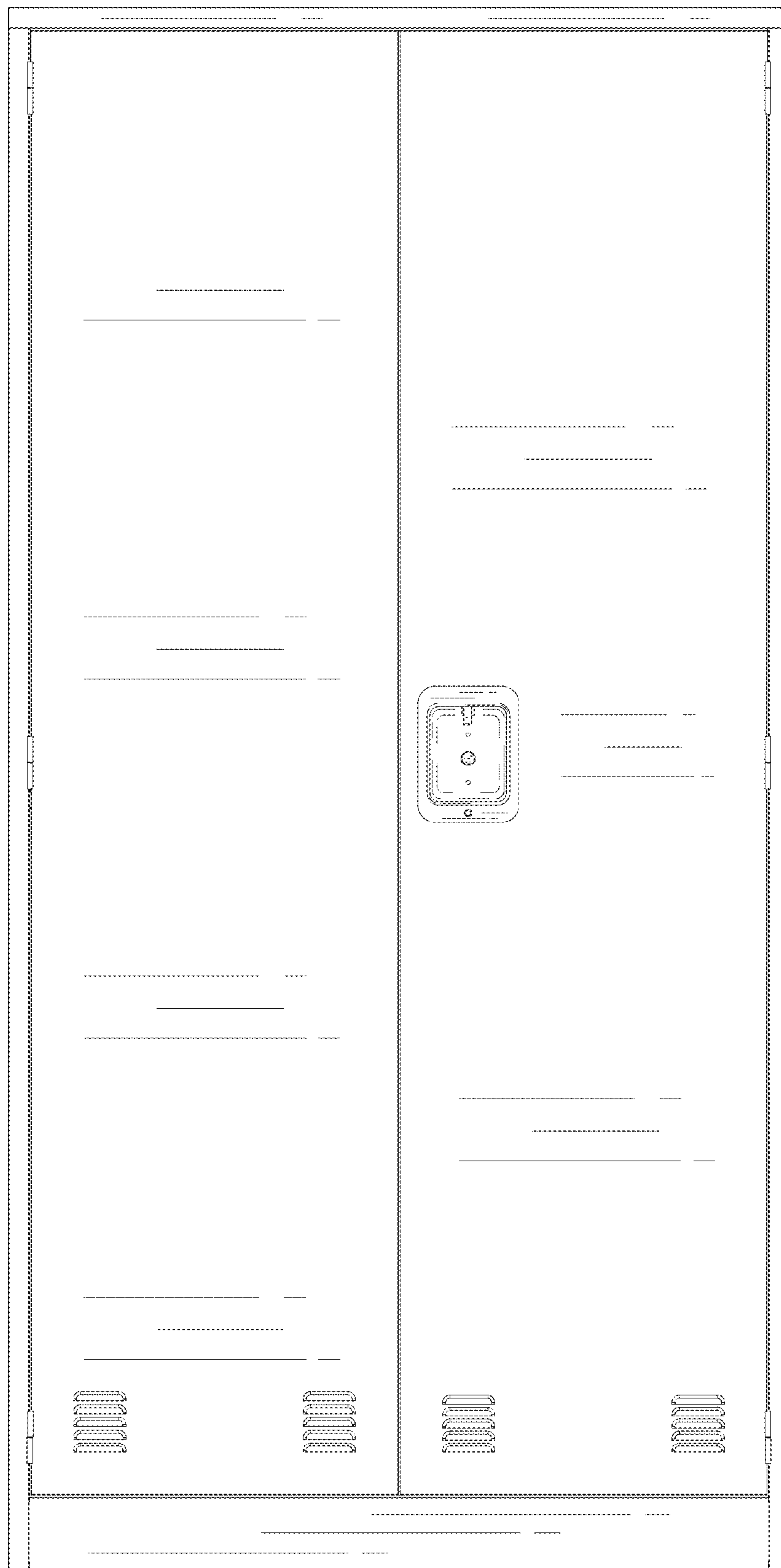


FIG. 3

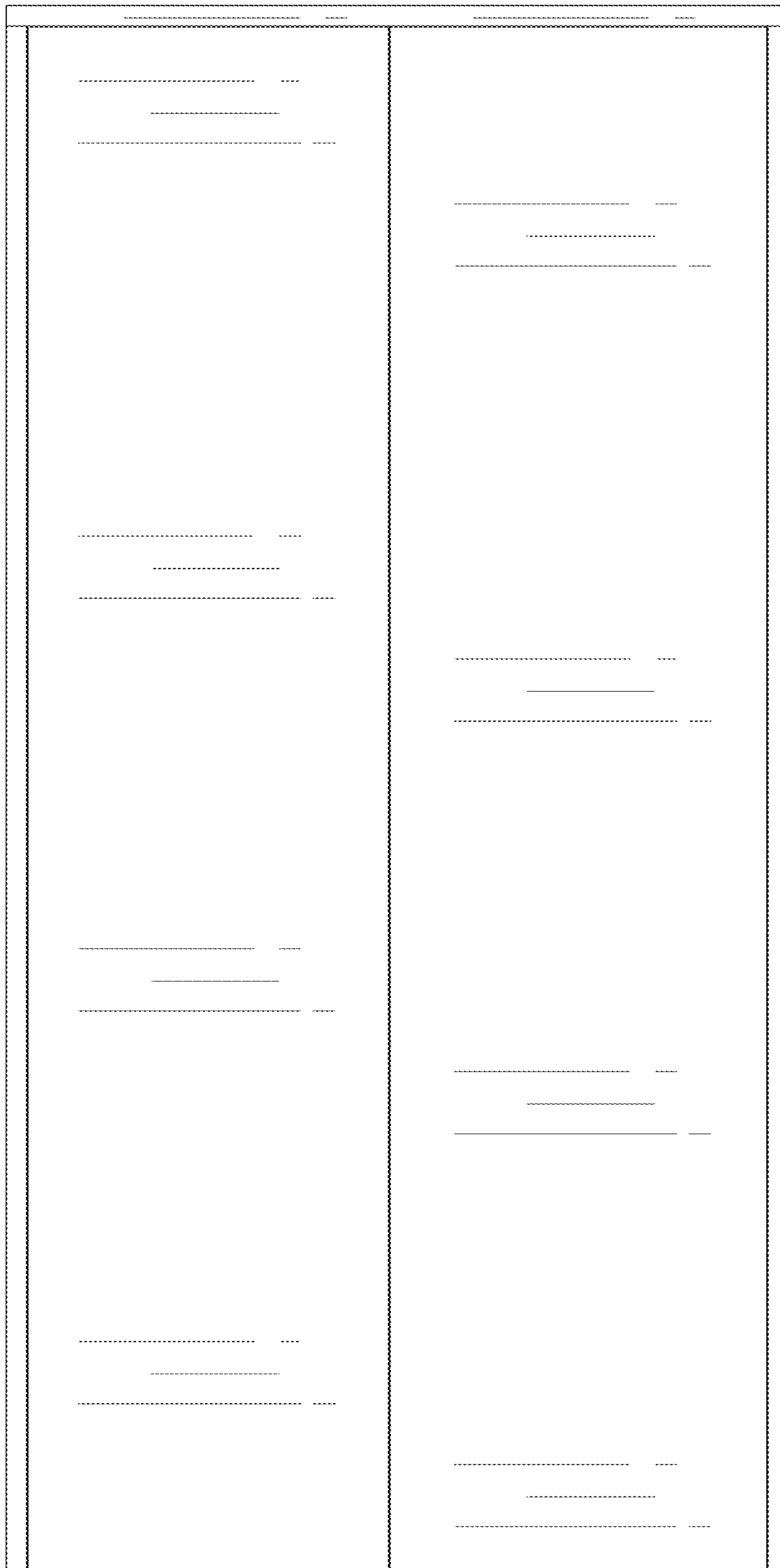


FIG. 4



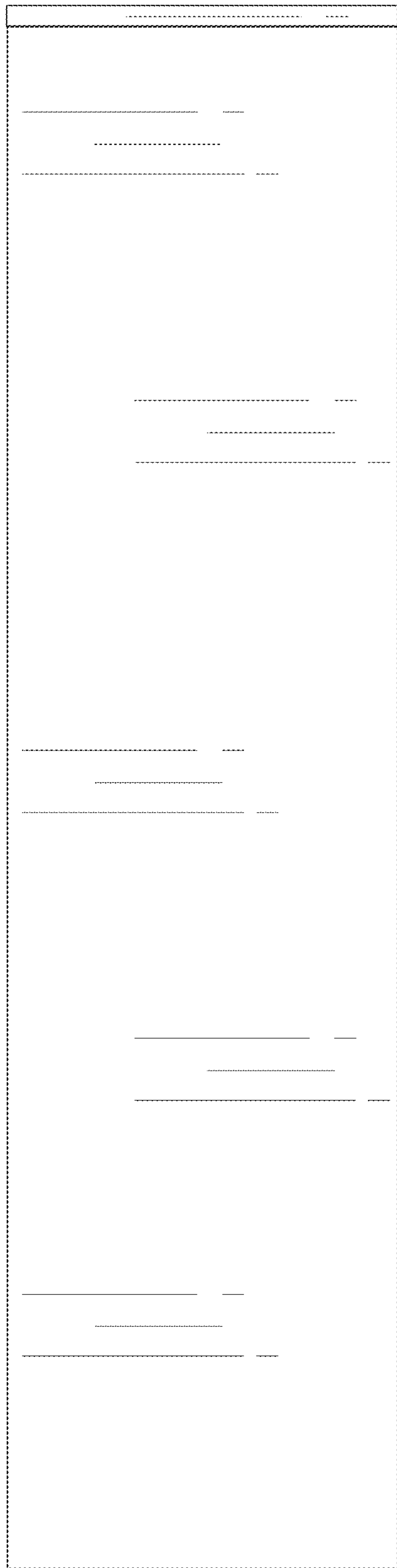


FIG. 5

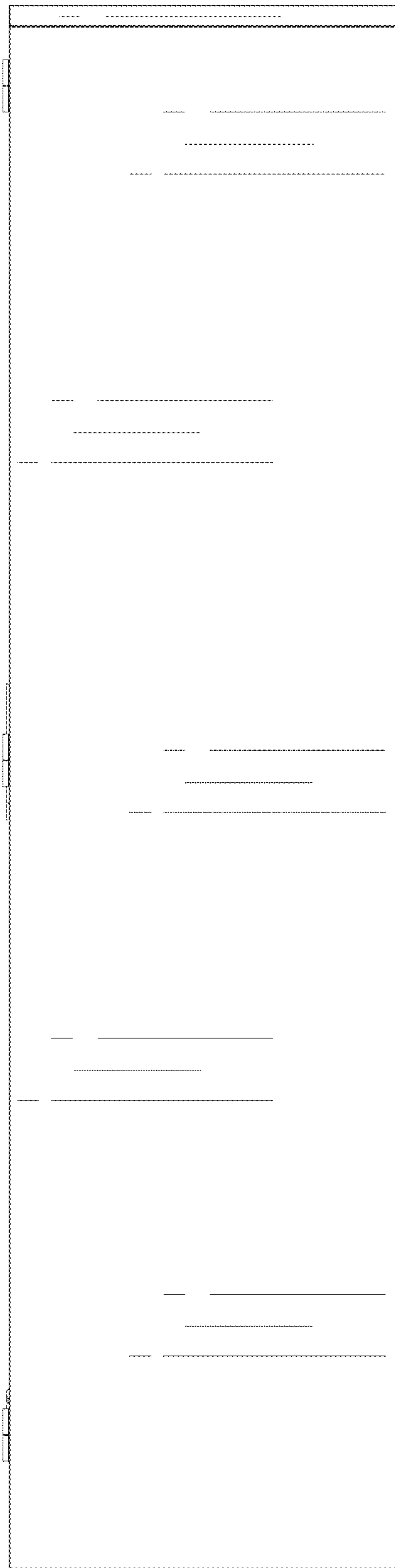


FIG. 6

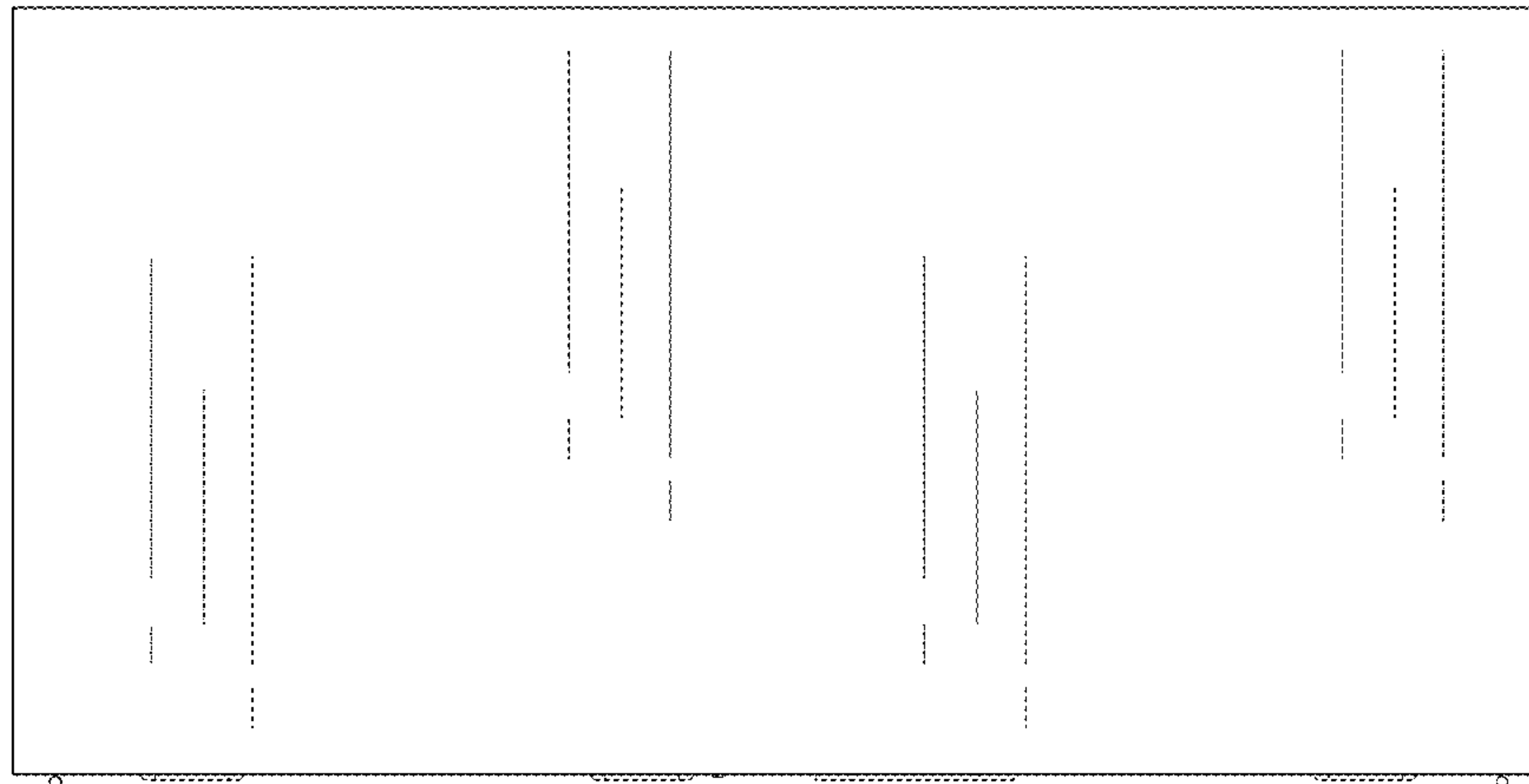


FIG. 7



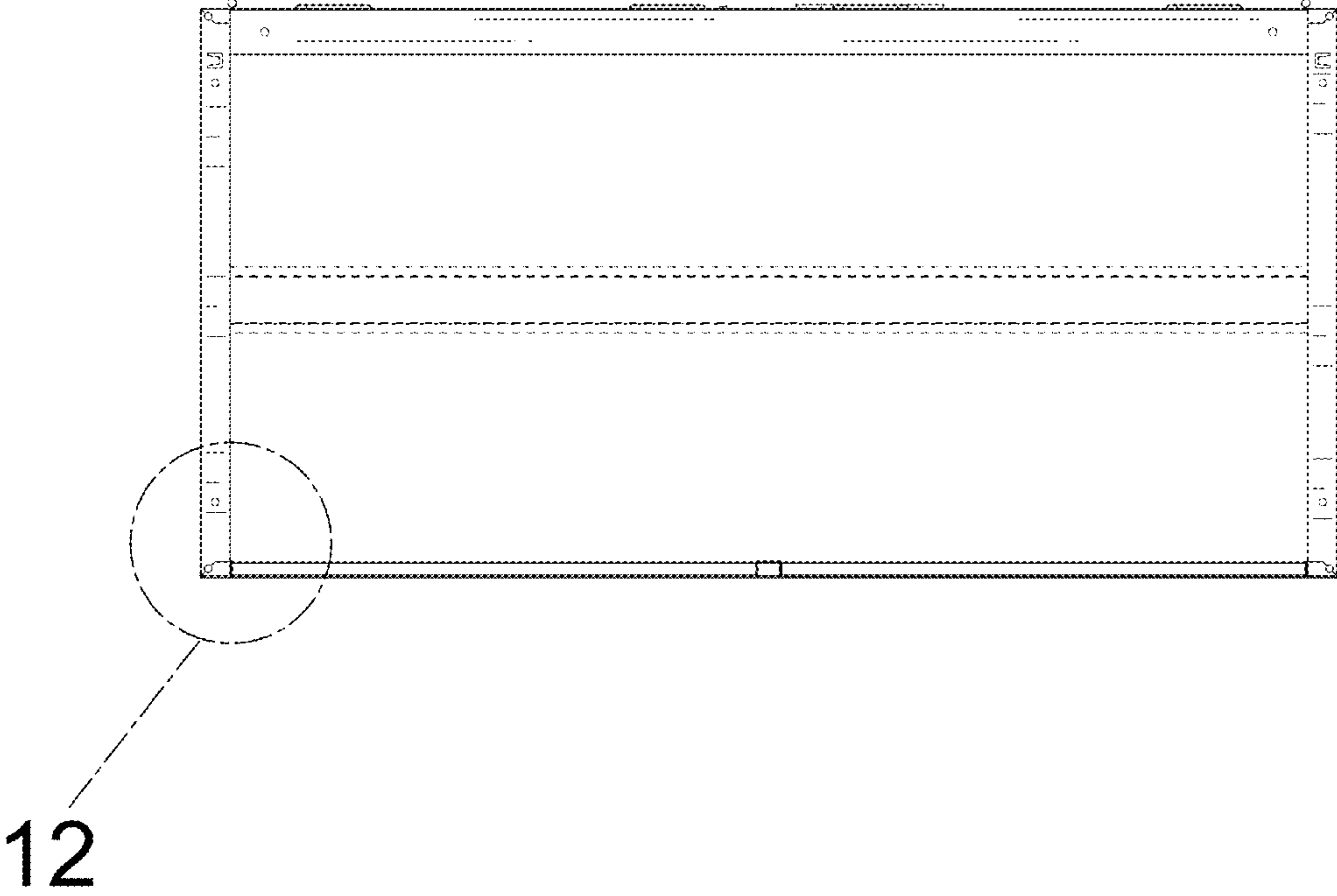


FIG. 8

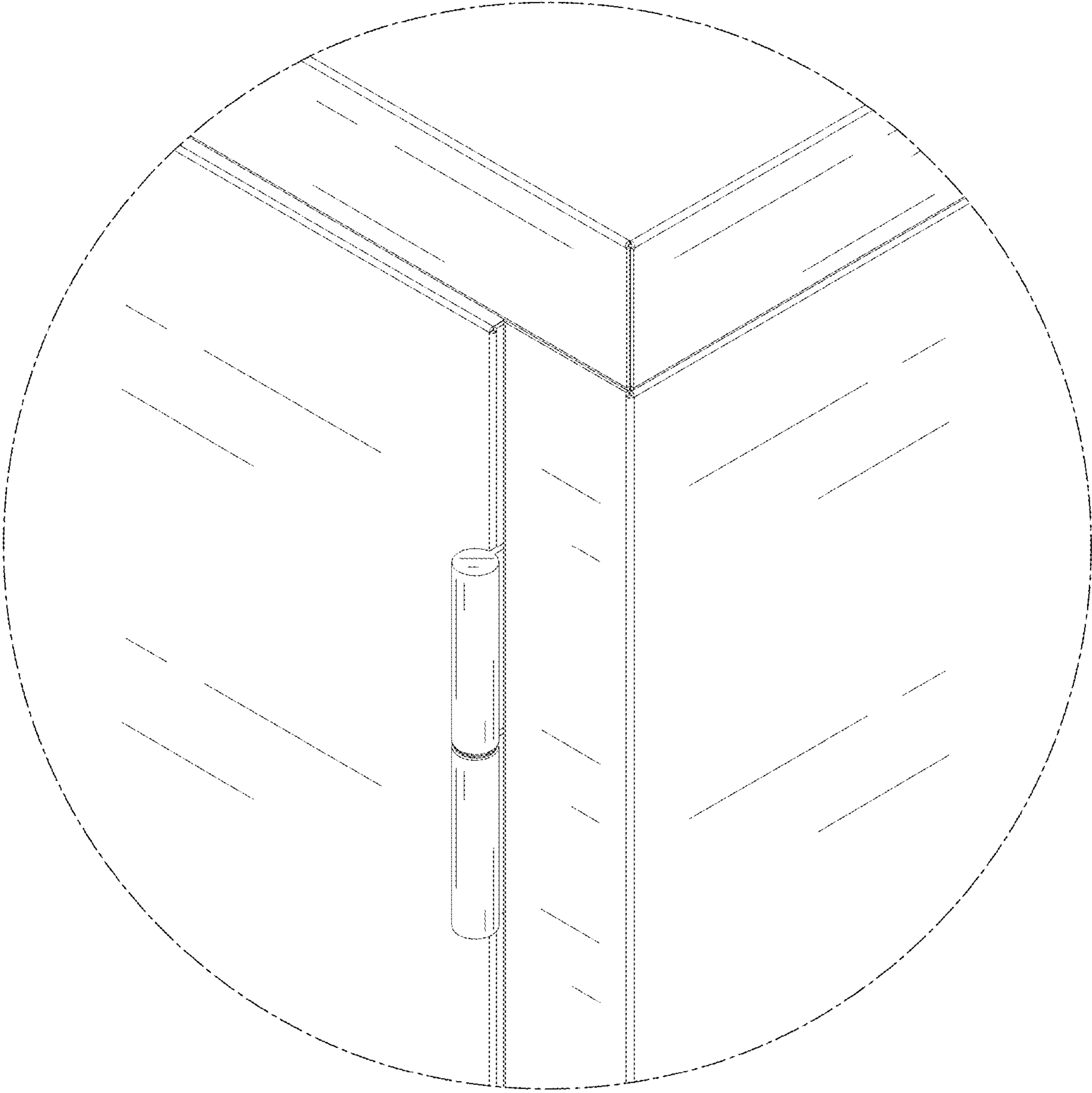


FIG. 9

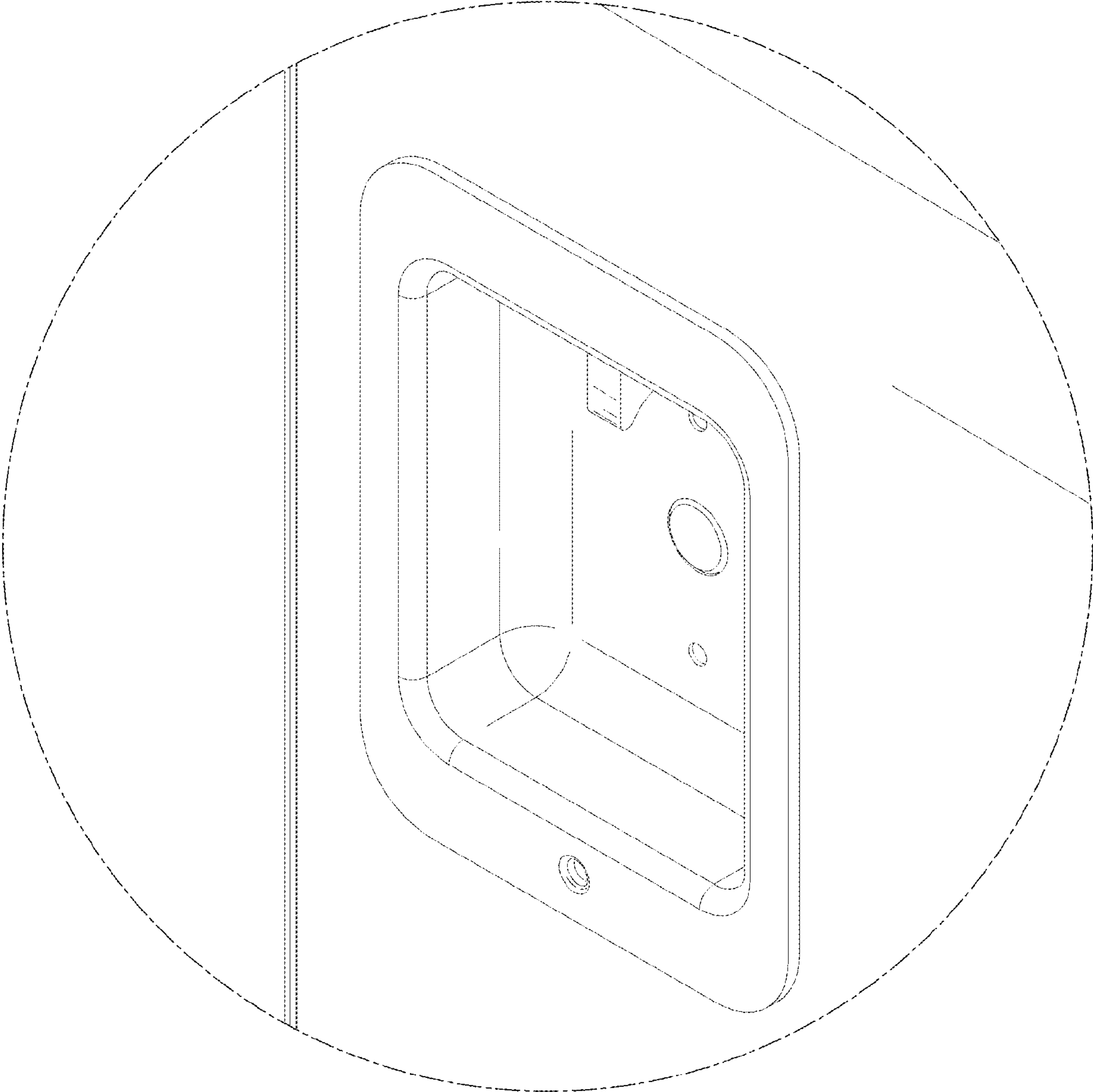


FIG. 10

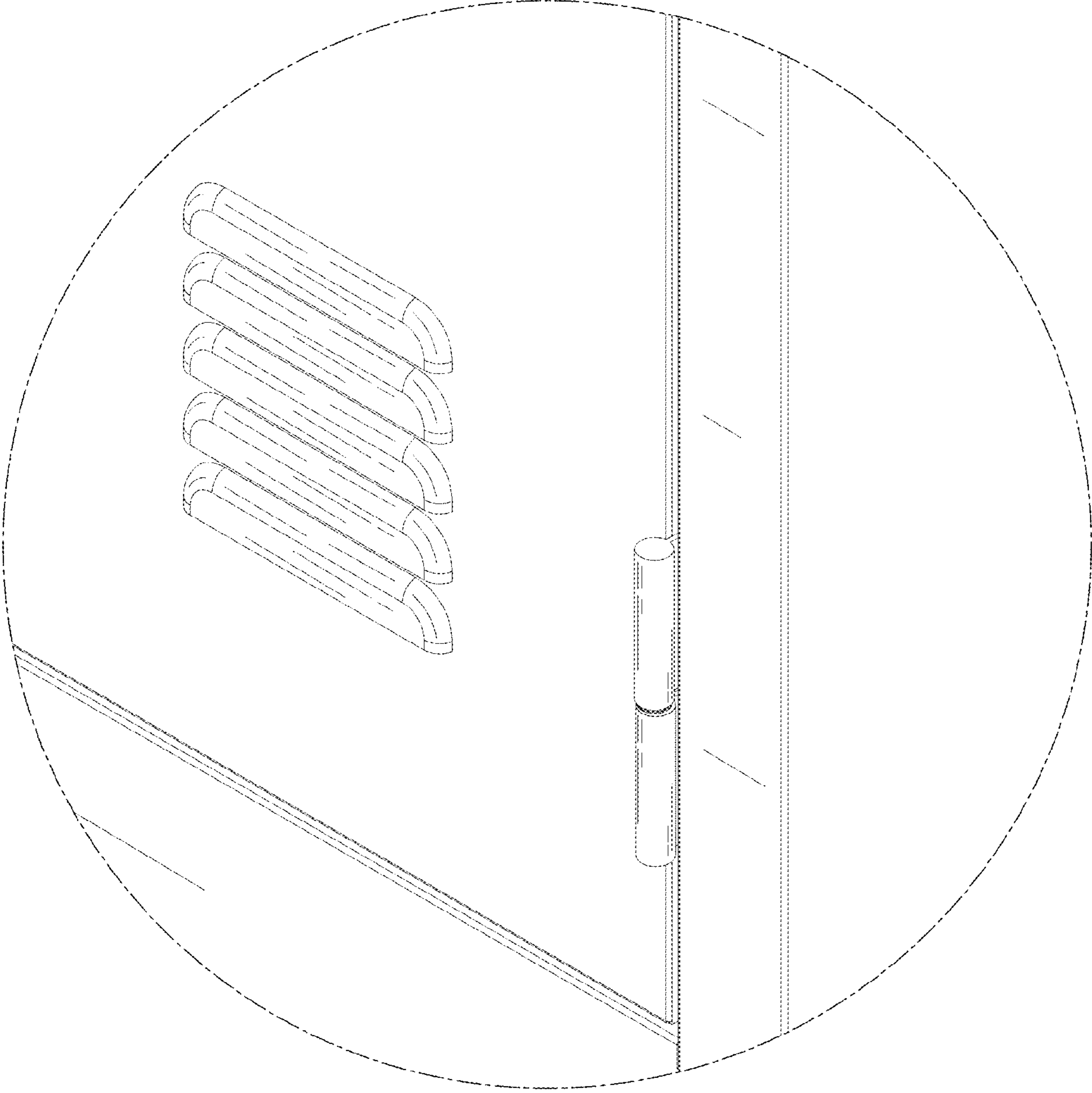


FIG. 11

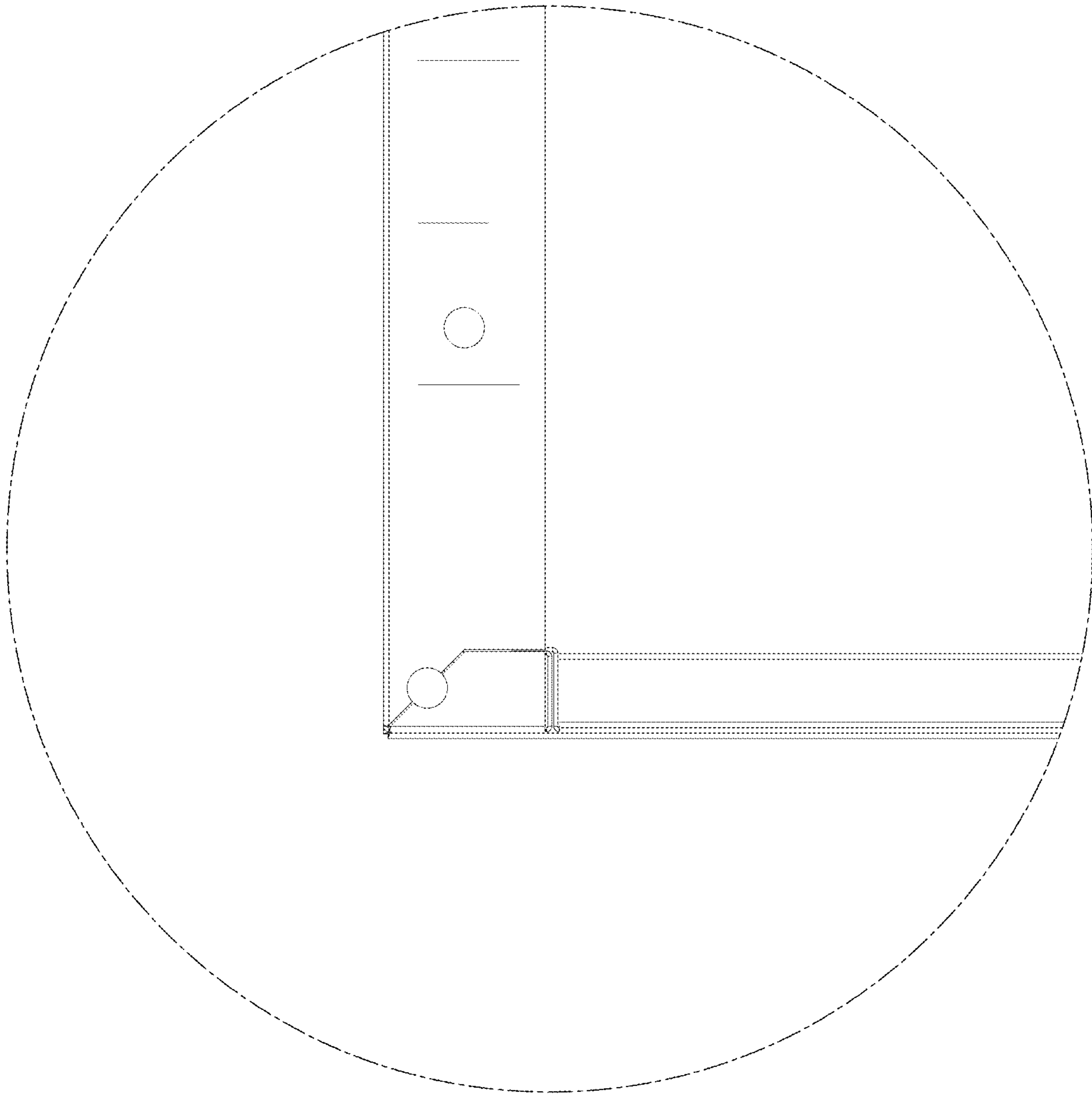


FIG. 12