



US00D979989S

(12) **United States Design Patent**
Ren

(10) **Patent No.:** **US D979,989 S**
(45) **Date of Patent:** **** Mar. 7, 2023**

(54) **GUN CABINET**

D970,267 S * 11/2022 Li D6/671
D972,345 S * 12/2022 Gao D6/671.1
D974,084 S * 1/2023 Li D6/663

(71) Applicant: **Henan Xingdu Furniture Co., Ltd.**,
Luoyang (CN)

(72) Inventor: **Yugang Ren**, Luoyang (CN)

(73) Assignee: **Henan Xingdu Furniture Co., Ltd.**,
Luoyang (CN)

(**) Term: **15 Years**

(21) Appl. No.: **29/848,522**

(22) Filed: **Aug. 3, 2022**

(51) **LOC (14) Cl.** **06-04**

(52) **U.S. Cl.**
USPC **D6/671**

(58) **Field of Classification Search**
USPC D6/661, 663, 667, 671, 705, 660, 662.1,
D6/671.1; D21/318; D3/296; D99/43
CPC A47B 63/02; A47B 67/00; A47B 67/02;
A47B 67/04; A47B 43/00; A47J 39/006;
A47G 29/20

See application file for complete search history.

(56) **References Cited**

U.S. PATENT DOCUMENTS

D488,323 S * 4/2004 Lucas D6/671.2
6,793,299 B2 * 9/2004 Newberry B29C 66/4342
312/334.1
D516,834 S 3/2006 Masseth, Jr.
D811,038 S * 2/2018 Spears D99/28
D839,028 S 1/2019 Schooley, Jr.
D965,354 S * 10/2022 Wang D6/671.1

OTHER PUBLICATIONS

“Kaer 8-12 Assemble Gun Safe . . .” Jul. 12, 2022, amazon.com, site visited Jan. 6, 2023 <<https://www.amazon.com/Assemble-Security-Pistols-Removable-Cabinet-H56-96/dp/B0B6F6B2FY>> (Year: 2022).*

* cited by examiner

Primary Examiner — Kevin K Rudzinski

Assistant Examiner — Paul D Bohannon

(74) *Attorney, Agent, or Firm* — Jeenam Park

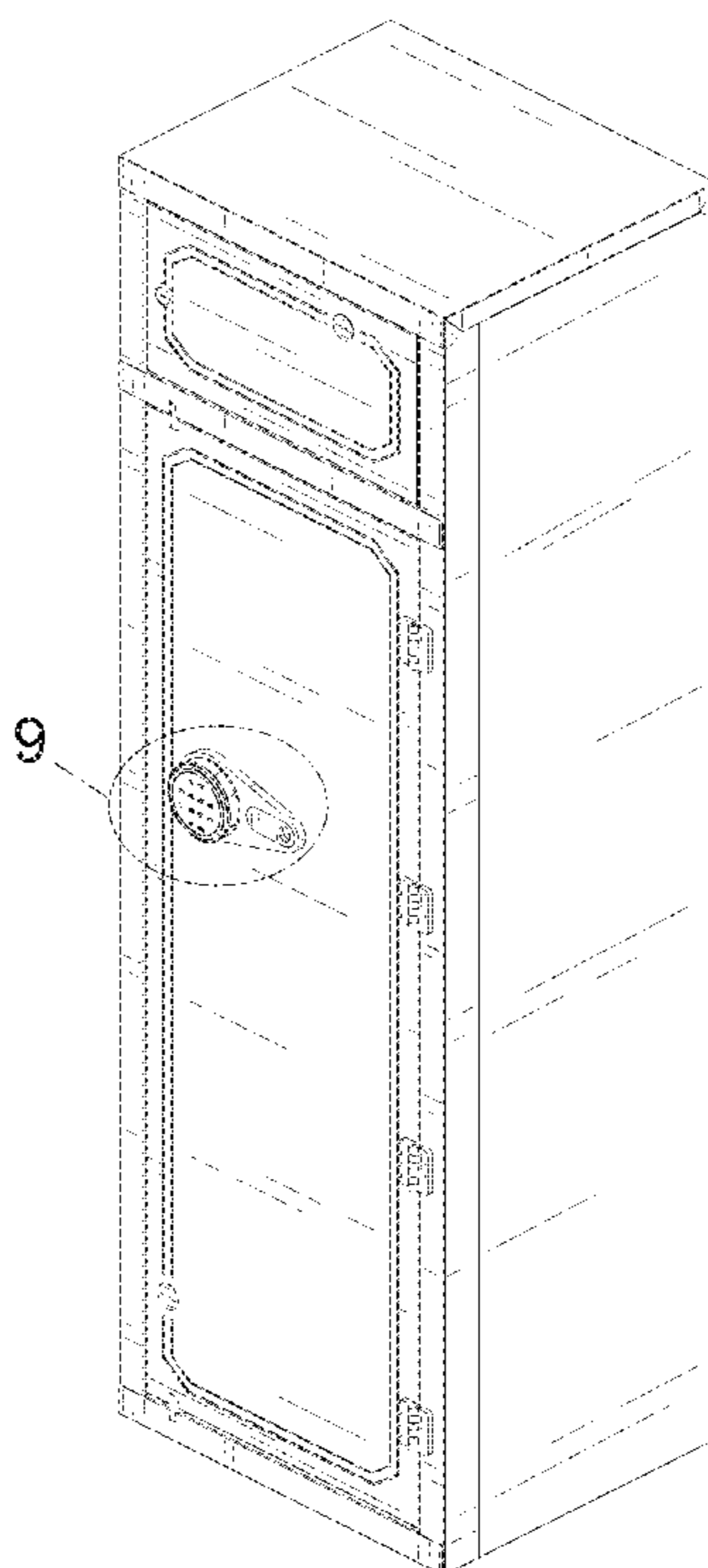
(57) **CLAIM**

The ornamental design for a gun cabinet, as shown and described.

DESCRIPTION

FIG. 1 is a perspective view of a gun cabinet, showing my new design;
FIG. 2 is another perspective view thereof;
FIG. 3 is a front view thereof;
FIG. 4 is a rear view thereof;
FIG. 5 is a left side view thereof;
FIG. 6 is a right side view thereof;
FIG. 7 is an enlarged top plan view thereof;
FIG. 8 is an enlarged bottom plan view thereof; and,
FIG. 9 is an enlarged view of portion of FIG. 1 thereof.
The broken lines shown in the drawings illustrate portions of the gun cabinet that form no part of the claimed design.

1 Claim, 9 Drawing Sheets



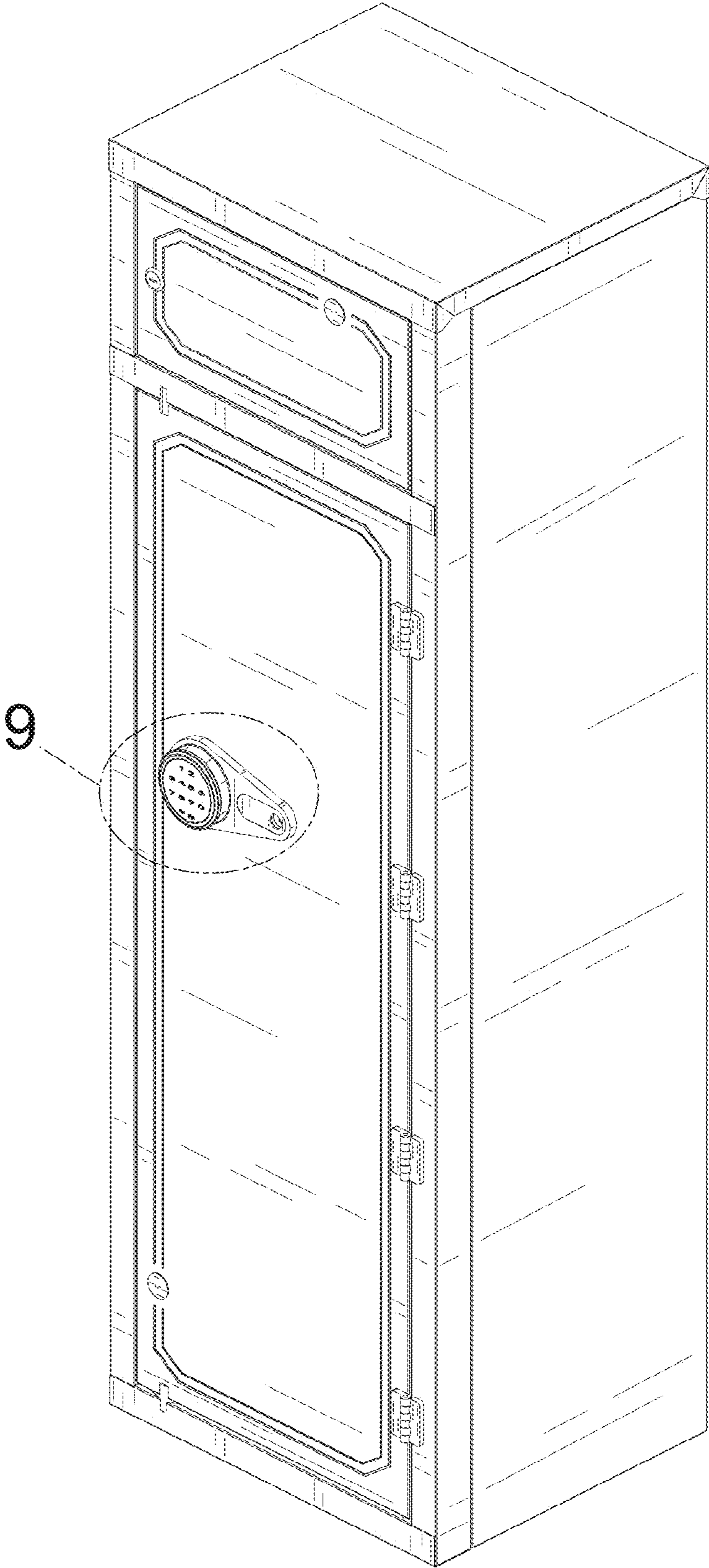


FIG. 1

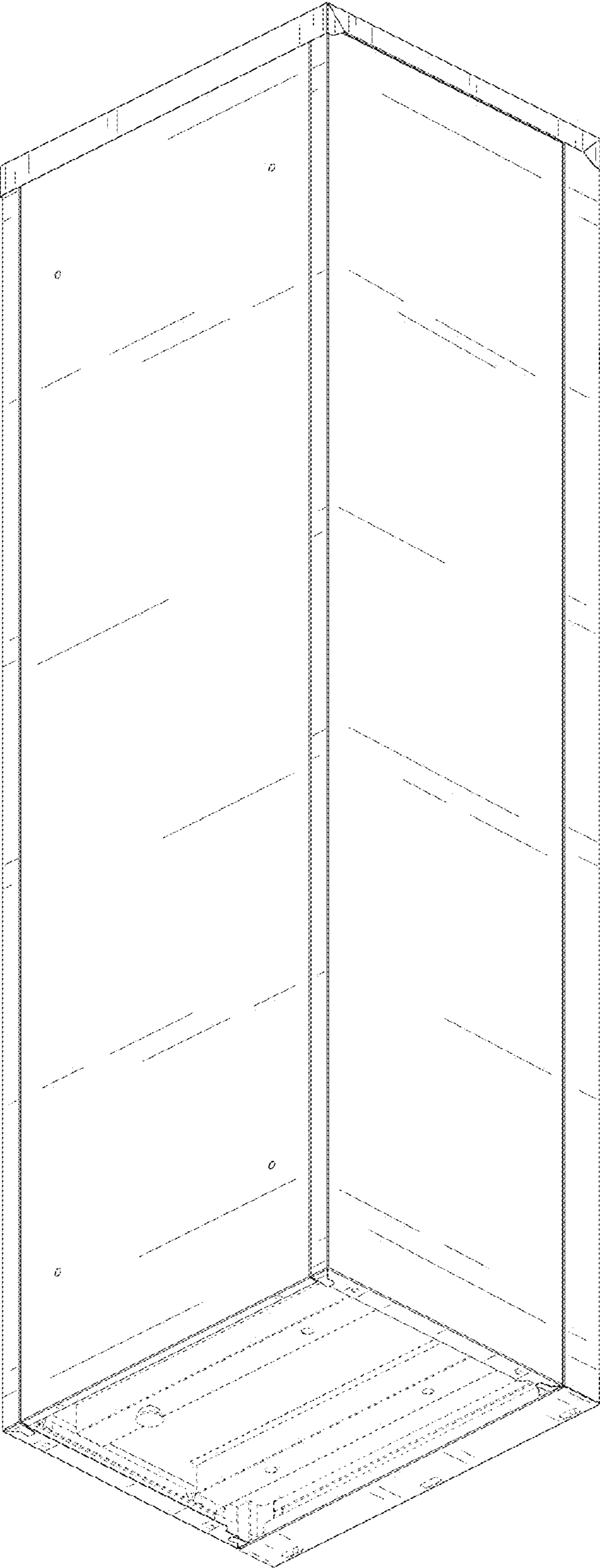


FIG. 2

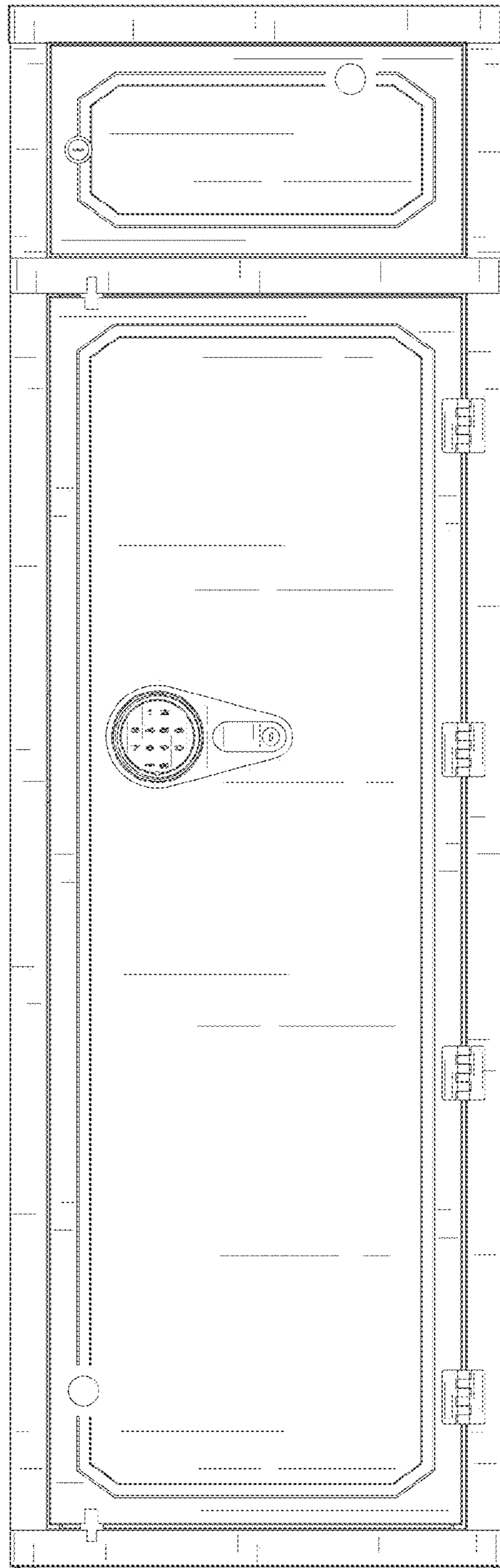


FIG. 3

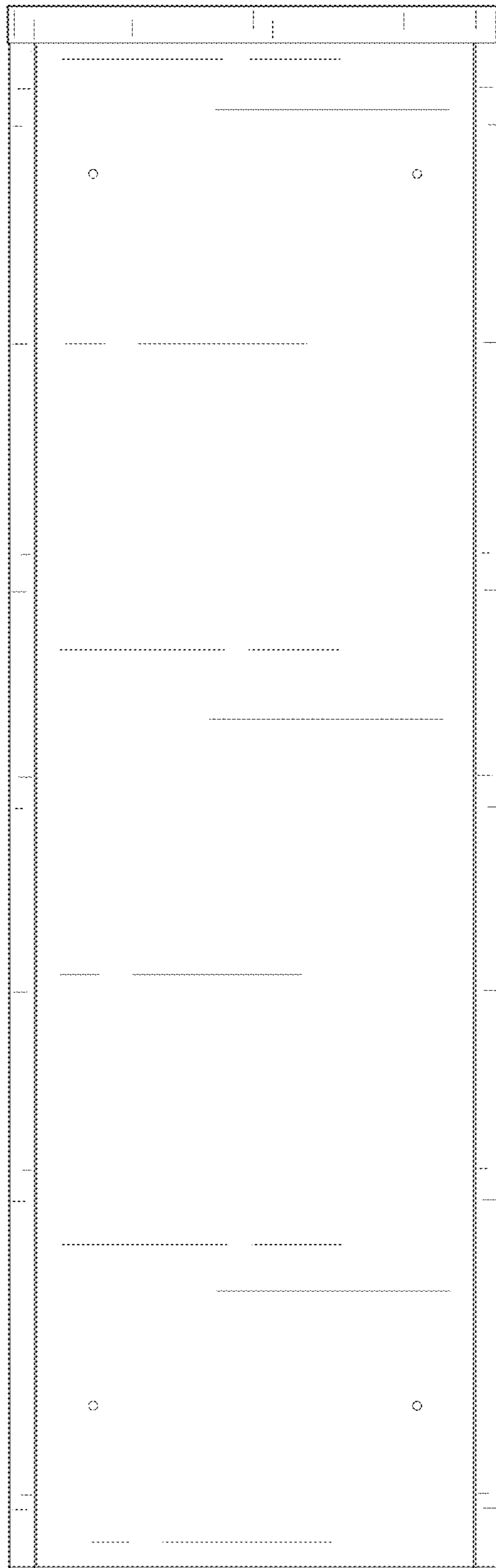


FIG. 4

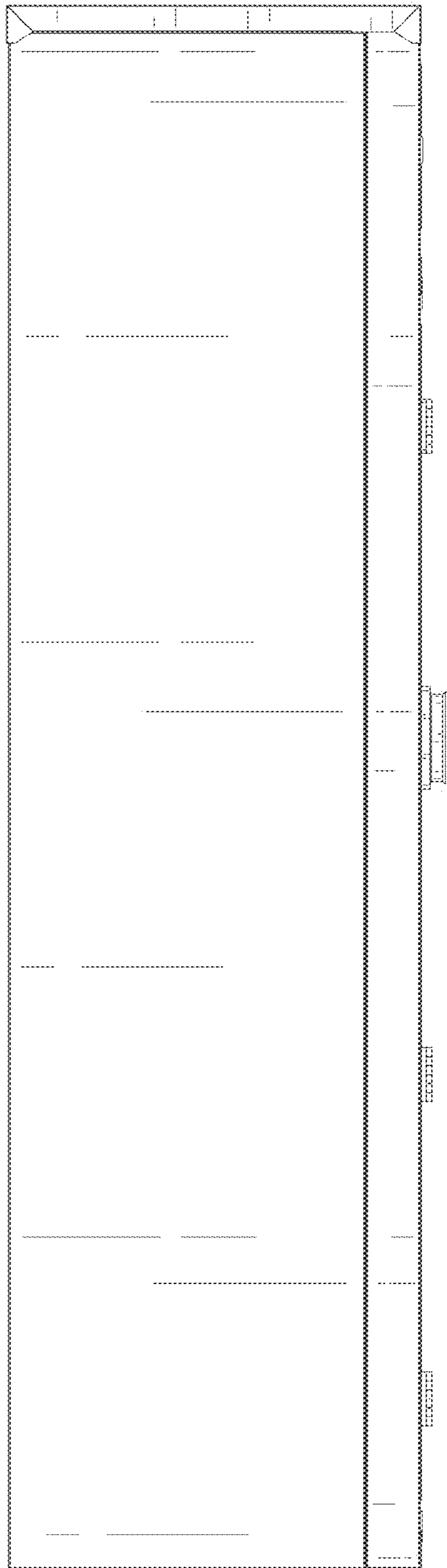


FIG. 5

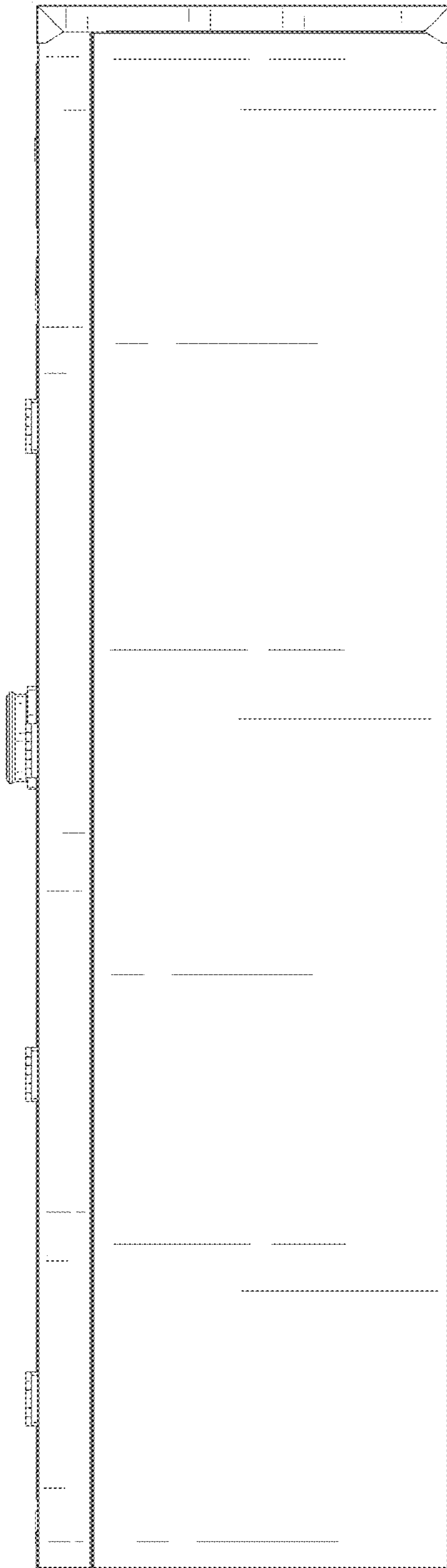


FIG. 6

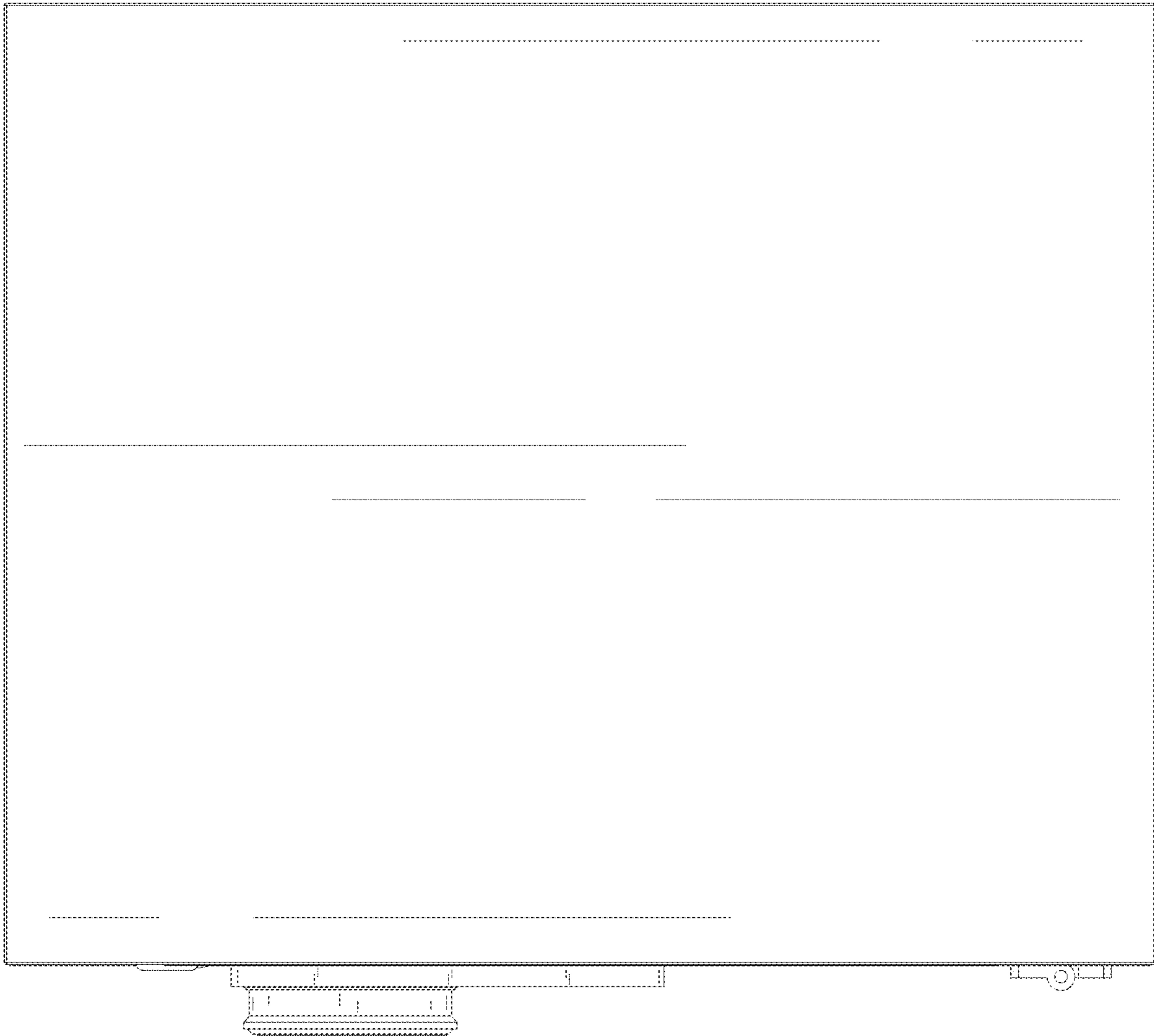


FIG. 7

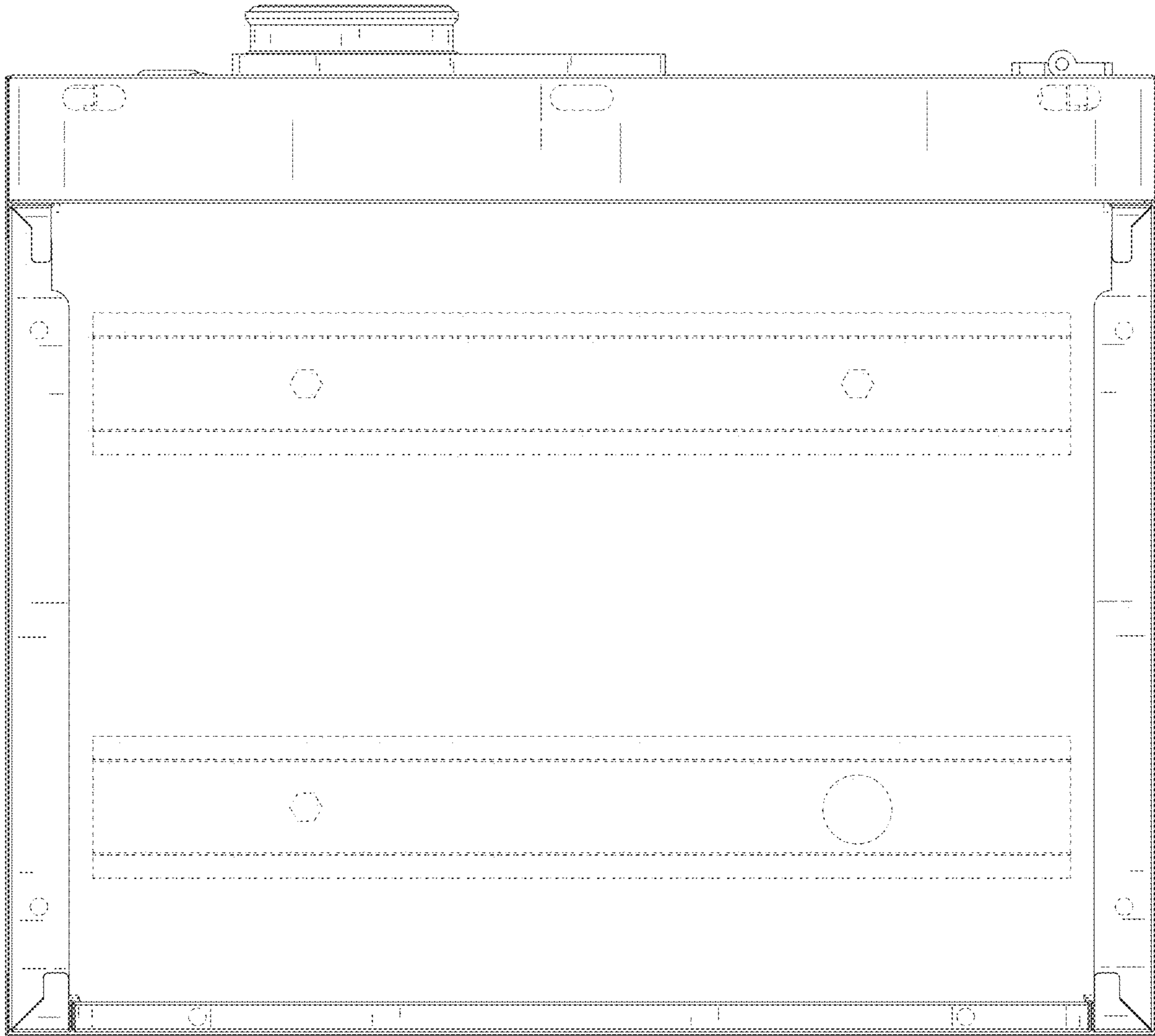


FIG. 8

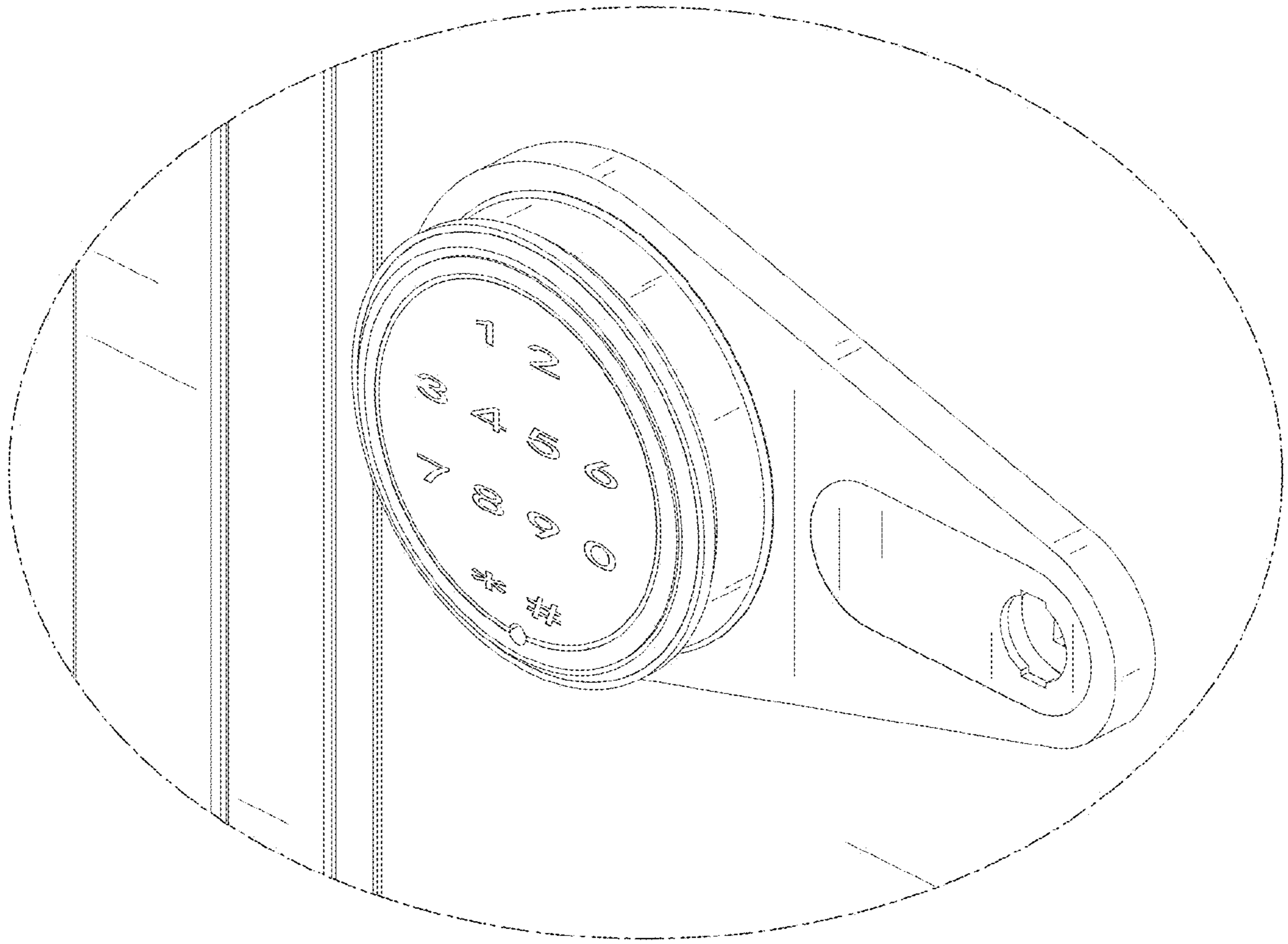


FIG. 9