



US00D979988S

(12) **United States Design Patent**  
**Chen**

(10) **Patent No.:** **US D979,988 S**  
(45) **Date of Patent:** **\*\* Mar. 7, 2023**

(54) **ELECTRIC STANDING DESK**

(71) Applicant: **Sailvan Times Co., Ltd.**, Shenzhen (CN)

(72) Inventor: **Yanyun Chen**, Shenzhen (CN)

(73) Assignee: **Sailvan Times Co., Ltd.**, Shenzhen (CN)

(\*\*) Term: **15 Years**

(21) Appl. No.: **29/835,508**

(22) Filed: **Apr. 19, 2022**

(51) **LOC (14) Cl.** ..... **06-03**

(52) **U.S. Cl.**  
USPC ..... **D6/656.17**

(58) **Field of Classification Search**

USPC ..... D6/641, 642, 655, 656, 656.1, 656.11,  
D6/656.12, 656.13, 656.14, 656.15,  
D6/656.16, 656.17, 656.18, 656.19,  
D6/688.14, 688.15, 691, 691.1, 691.5,  
D6/691.6, 691.7, 697  
CPC ... A47B 9/20; A47B 21/02; A47B 2200/0056;  
A47B 9/00; A47B 2200/0062; A47B  
2200/0057

See application file for complete search history.

(56) **References Cited**

**U.S. PATENT DOCUMENTS**

D299,798 S *	2/1989	Sottsas	.....	D6/656.16
D794,359 S *	8/2017	Yamamoto	.....	D6/656
D847,541 S *	5/2019	Yamamoto	.....	D6/656
D861,382 S *	10/2019	Hu	.....	D6/656.11
D862,937 S *	10/2019	Störiko	.....	D6/691.5
D875,442 S *	2/2020	Duan	.....	D6/656.16
D877,544 S *	3/2020	Hu	.....	D6/656.16
D879,514 S *	3/2020	Goldberg	.....	D6/656.16
D879,515 S *	3/2020	Goldberg	.....	D6/656.16
D887,182 S	6/2020	Walker et al.		

(Continued)

**OTHER PUBLICATIONS**

“Electric Standing Desk.” Found online Aug. 12, 2022 at www.amazon.com. Product first available Jul. 27, 2021. Retrieved from URL: https://www.amazon.com/Electric-Standing-Radlove-Adjustable-Management/dp/B09TVJ922S (Year: 2021).\*

(Continued)

*Primary Examiner* — Mary Ann Calabrese

*Assistant Examiner* — Katelin G Kloberg

(74) *Attorney, Agent, or Firm* — True Shepherd, LLC; Andrew Cheng

(57) **CLAIM**

The ornamental design for an electric standing desk, as shown and described.

**DESCRIPTION**

FIG. 1 is a front, right and top perspective view of an electric standing desk, showing my design.

FIG. 2 is a front, left and bottom perspective view thereof.

FIG. 3 is a rear, left and bottom perspective view thereof.

FIG. 4 is a front elevation view thereof.

FIG. 5 is a rear elevation view thereof.

FIG. 6 is a left side elevation view thereof.

FIG. 7 is a right side elevation view thereof.

FIG. 8 is a top plan view thereof.

FIG. 9 is a bottom plan view thereof.

FIG. 10 is an enlarged view of detail 10 in FIG. 1;

FIG. 11 is an enlarged view of detail 11 in FIG. 1;

FIG. 12 is an enlarged view of detail 12 in FIG. 2;

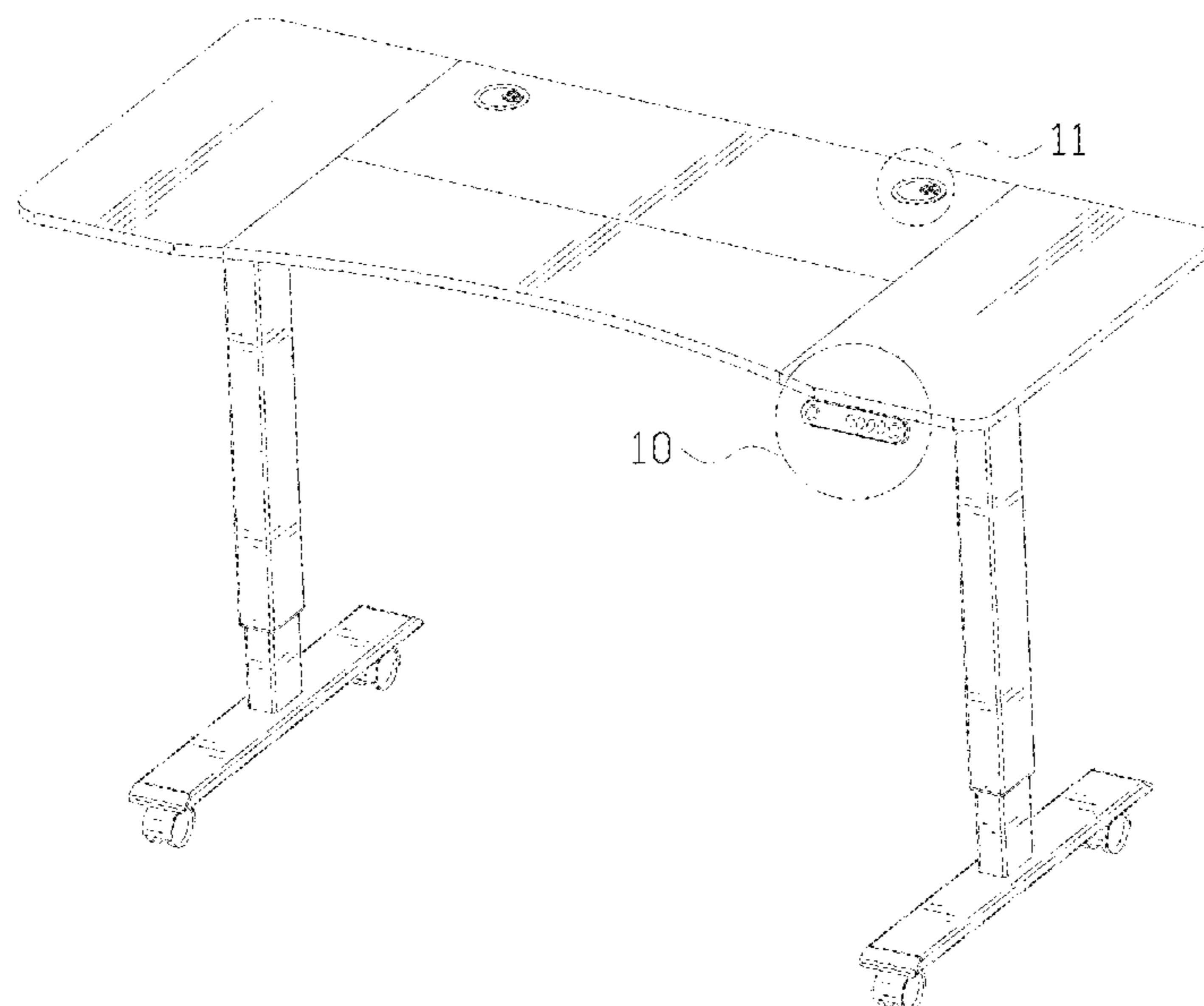
FIG. 13 is an enlarged view of detail 13 in FIG. 2;

FIG. 14 is an enlarged view of detail 14 in FIG. 3; and,

FIG. 15 is an enlarged view of detail 15 in FIG. 3.

The broken lines shown in the drawings are included for the purpose of illustrating portions of the electric standing desk that form no part of the claimed design.

**1 Claim, 15 Drawing Sheets**



(56)

References Cited

U.S. PATENT DOCUMENTS

D901,946 S \* 11/2020 Egger ..... D6/656.17  
 D916,533 S \* 4/2021 Huang ..... D6/656.16  
 D917,935 S \* 5/2021 Huang ..... D6/656.17  
 D922,104 S \* 6/2021 Liu ..... D6/656.17  
 D924,602 S \* 7/2021 Wang ..... D6/656.19  
 11,051,611 B2 \* 7/2021 Goldberg ..... A47B 3/08  
 D926,498 S \* 8/2021 Hu ..... D6/656.16  
 D931,660 S \* 9/2021 Hu ..... D6/656.16  
 D931,661 S \* 9/2021 Hu ..... D6/656.17  
 11,206,921 B1 \* 12/2021 Lin ..... A47B 9/06  
 D942,188 S \* 2/2022 Hu ..... D6/656.17  
 11,239,646 B1 \* 2/2022 Chen ..... A47B 9/00  
 D947,579 S \* 4/2022 Chen  
 D950,986 S \* 5/2022 Hu ..... D6/656.16  
 2017/0290415 A1 \* 10/2017 Hsu ..... A47B 21/00  
 2019/0029413 A1 \* 1/2019 Patton ..... A47B 3/06  
 2019/0059573 A1 \* 2/2019 Tseng ..... A47B 9/04  
 2019/0246789 A1 \* 8/2019 Chen ..... A47B 21/02  
 2020/0154881 A1 \* 5/2020 Applegate ..... A47B 3/0815  
 2020/0229588 A1 \* 7/2020 Chen ..... A47B 9/04  
 2020/0329861 A1 \* 10/2020 Zhang ..... A47C 7/72  
 2020/0352320 A1 \* 11/2020 Jacobs ..... A47B 21/02  
 2020/0359785 A1 \* 11/2020 Lu ..... A47B 9/00

2021/0030146 A1 \* 2/2021 Riebner ..... A47B 9/00  
 2021/0052064 A1 \* 2/2021 Miller ..... A47B 9/00  
 2021/0100354 A1 \* 4/2021 Møller ..... A47B 9/20  
 2021/0145163 A1 \* 5/2021 Lin ..... A47B 9/04  
 2021/0145164 A1 \* 5/2021 Lu ..... A47B 9/16  
 2021/0177137 A1 \* 6/2021 Lindner ..... F16B 12/10  
 2021/0378397 A1 \* 12/2021 Anderson ..... A47B 21/02  
 2022/0031062 A1 \* 2/2022 Albert ..... A47B 9/20

OTHER PUBLICATIONS

“55×30 Inches Curved Electric Standing Desk.” Found online Aug. 12, 2022 at [www.amazon.com](http://www.amazon.com). Product first available Nov. 11, 2021. Retrieved from URL: <https://www.amazon.com/Electric-Standing-Adjustable-Casters-Presets/dp/B09JP2HJZY> (Year: 2021).\*

“Fully Jarvis Standing Desk.” Found online Aug. 12, 2022 at [www.amazon.com](http://www.amazon.com). Product first available Apr. 25, 2021. Retrieved from URL: <https://www.amazon.com/Jarvis-Standing-Desk-Bamboo-Top/dp/B07PFLRNJ3> (Year: 2021).\*

“Farexon 55×24 inch Electric Height Adjustable Standing Desk.” Found online Aug. 12, 2022 at [www.amazon.com](http://www.amazon.com). Product first available Jul. 29, 2022. Retrieved from URL: <https://www.amazon.com/dp/B0B8711QHM> (Year: 2022).\*

\* cited by examiner

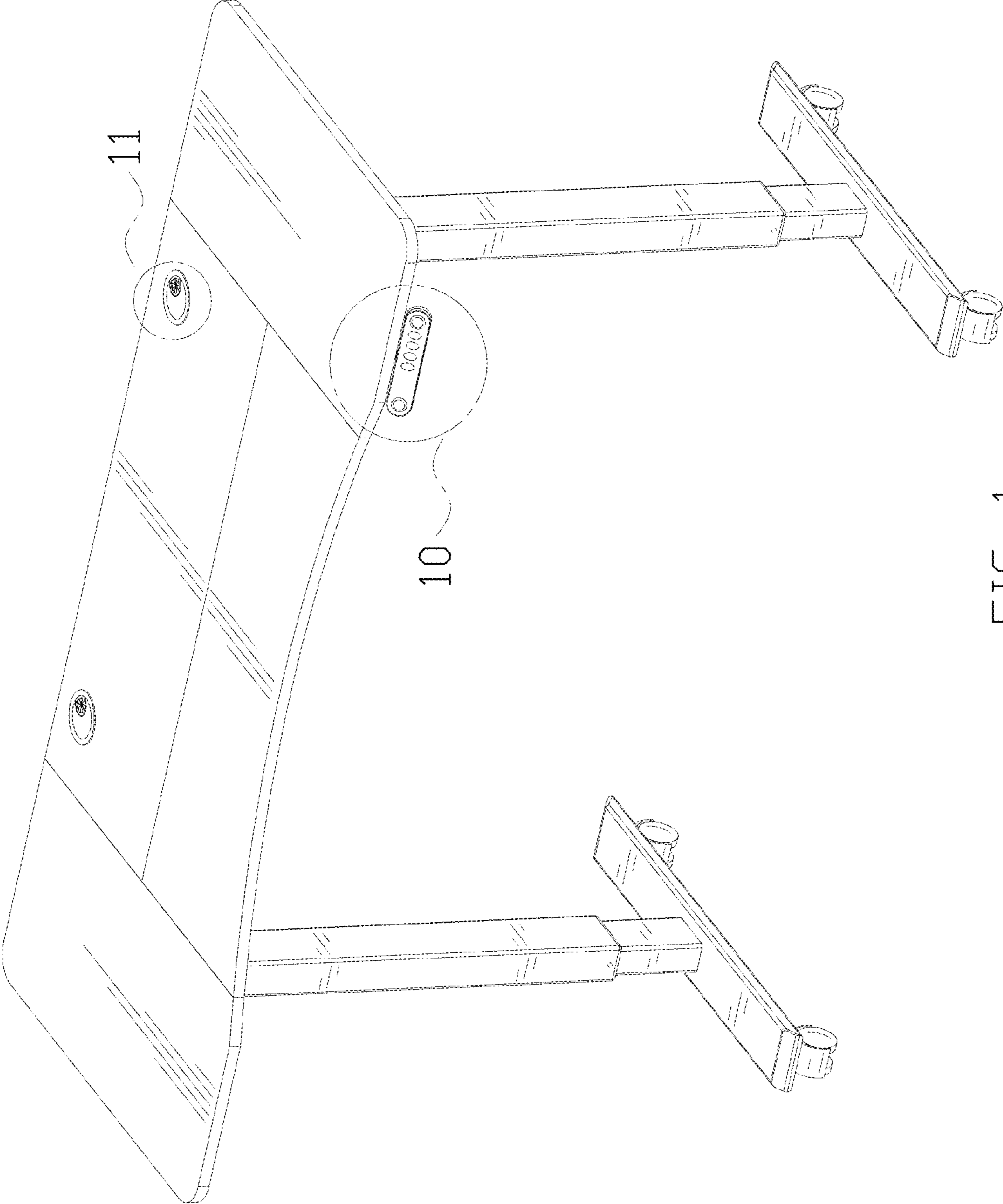


FIG. 1

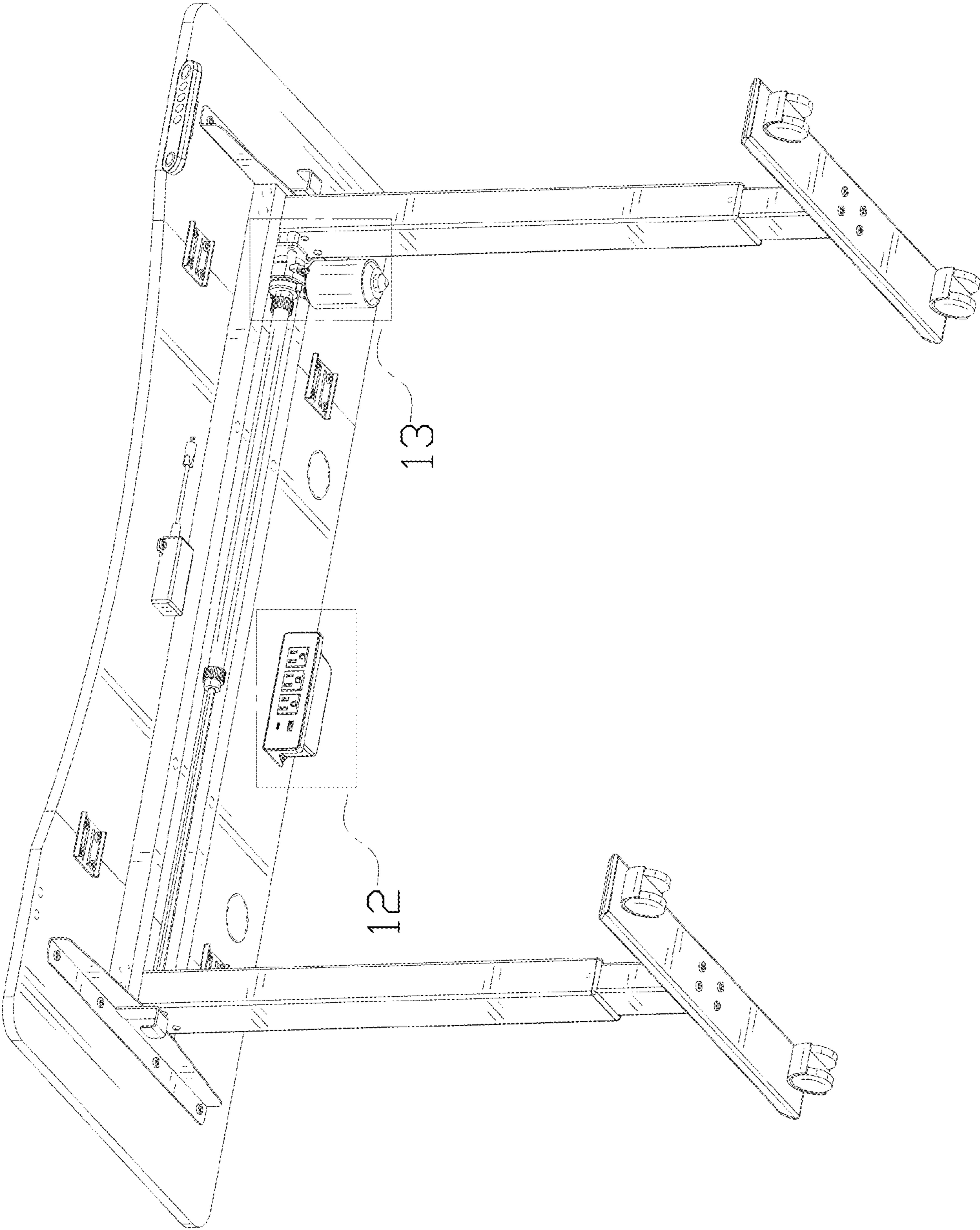


FIG. 2

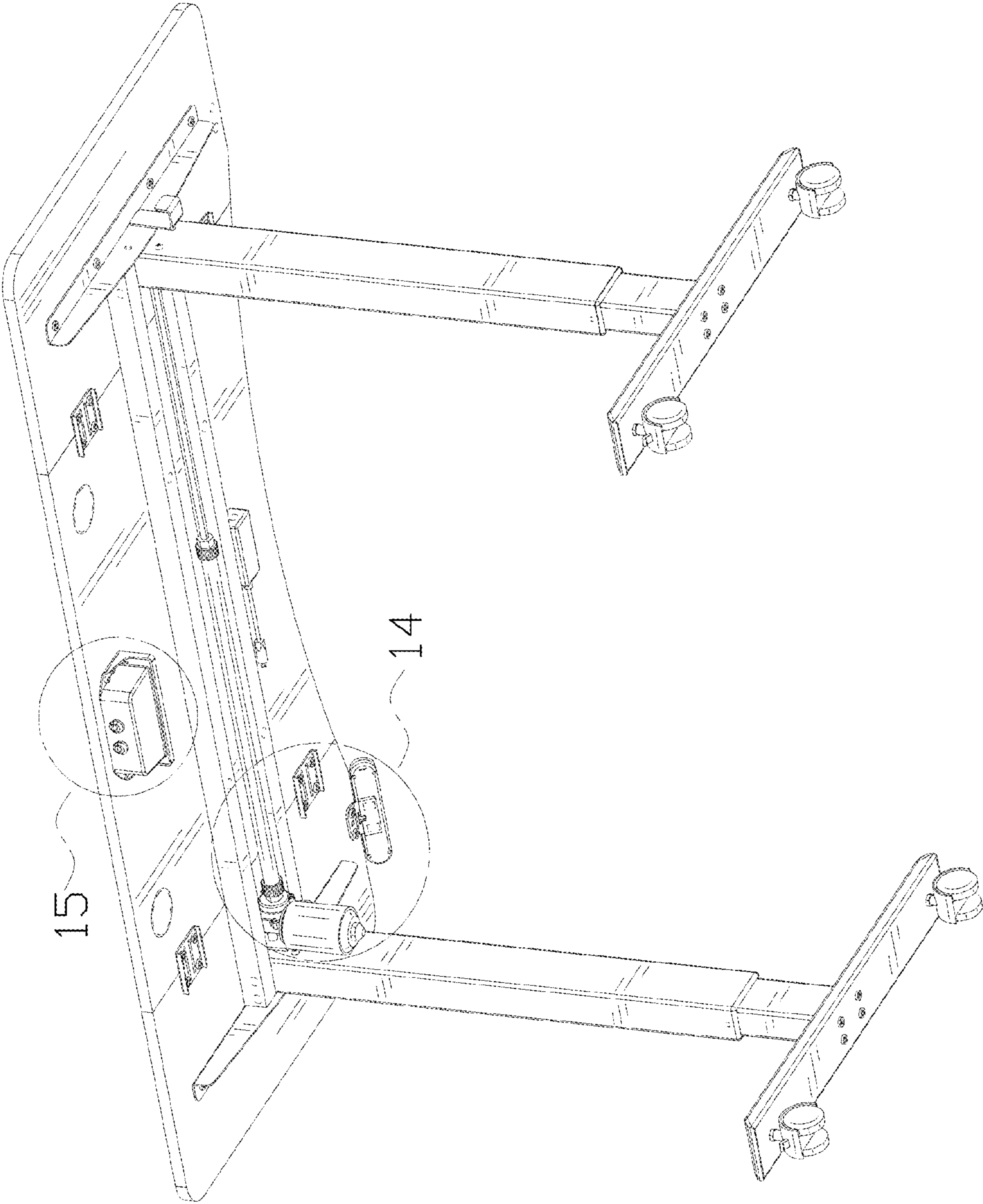


FIG. 3

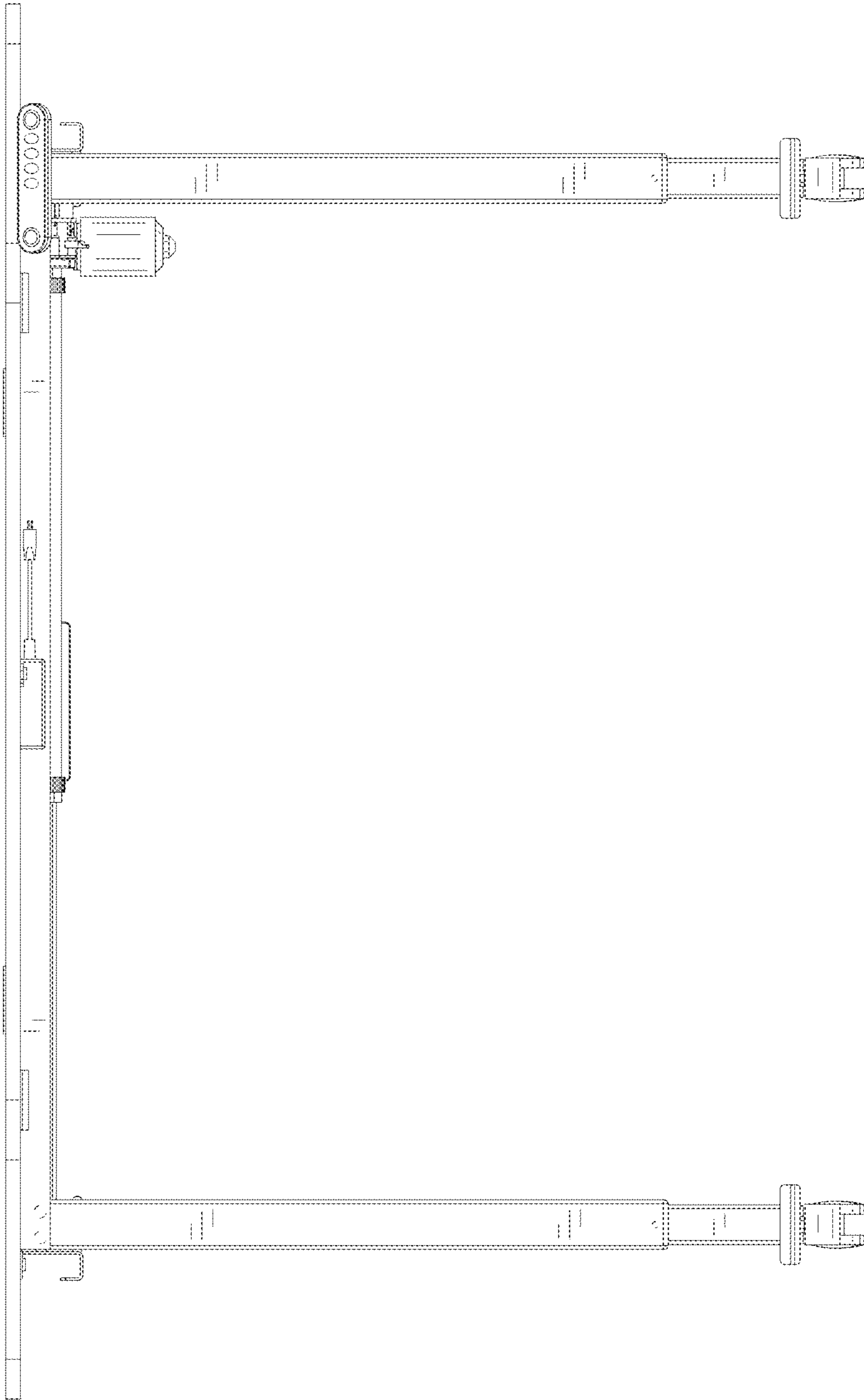


FIG. 4

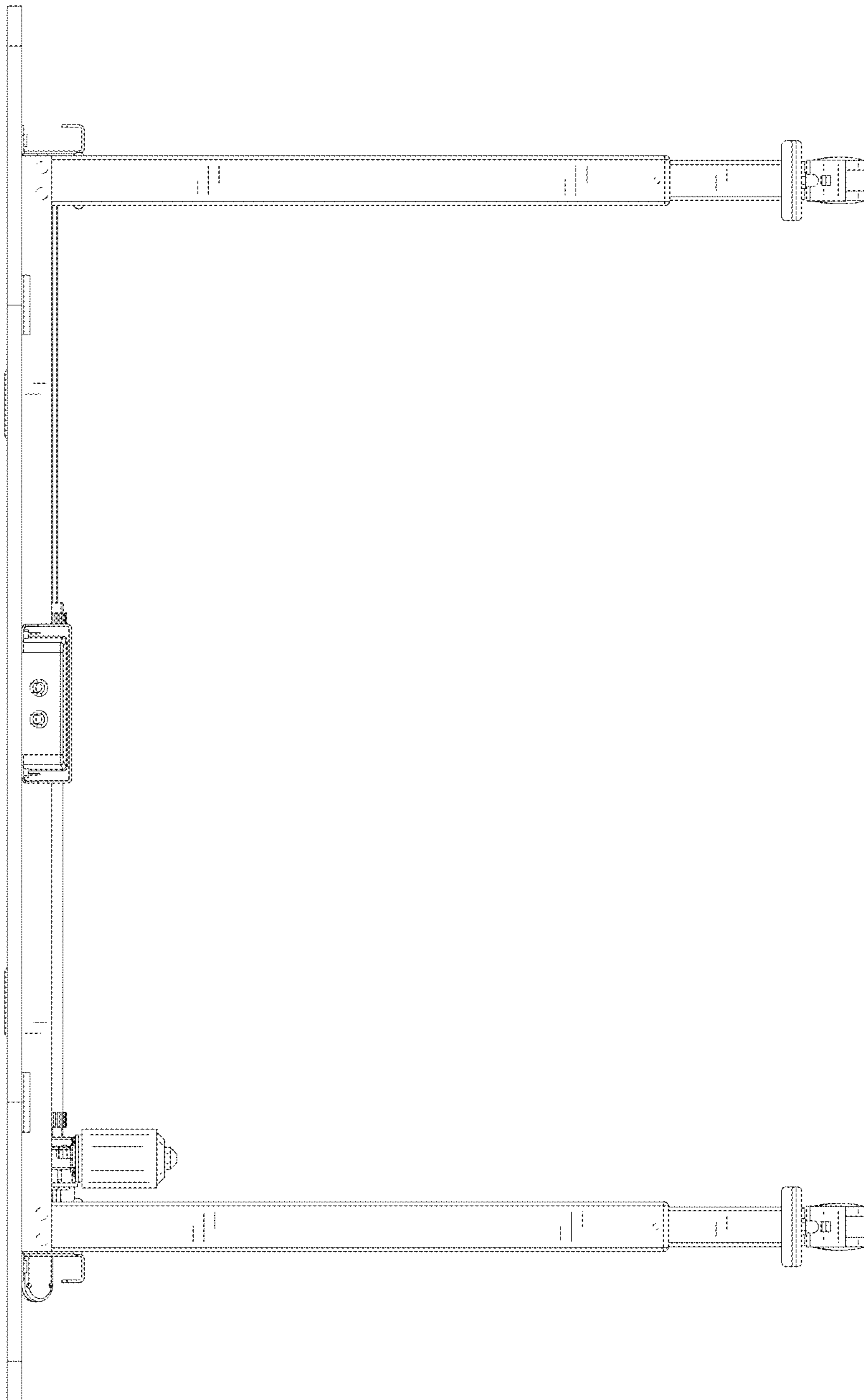


FIG. 5

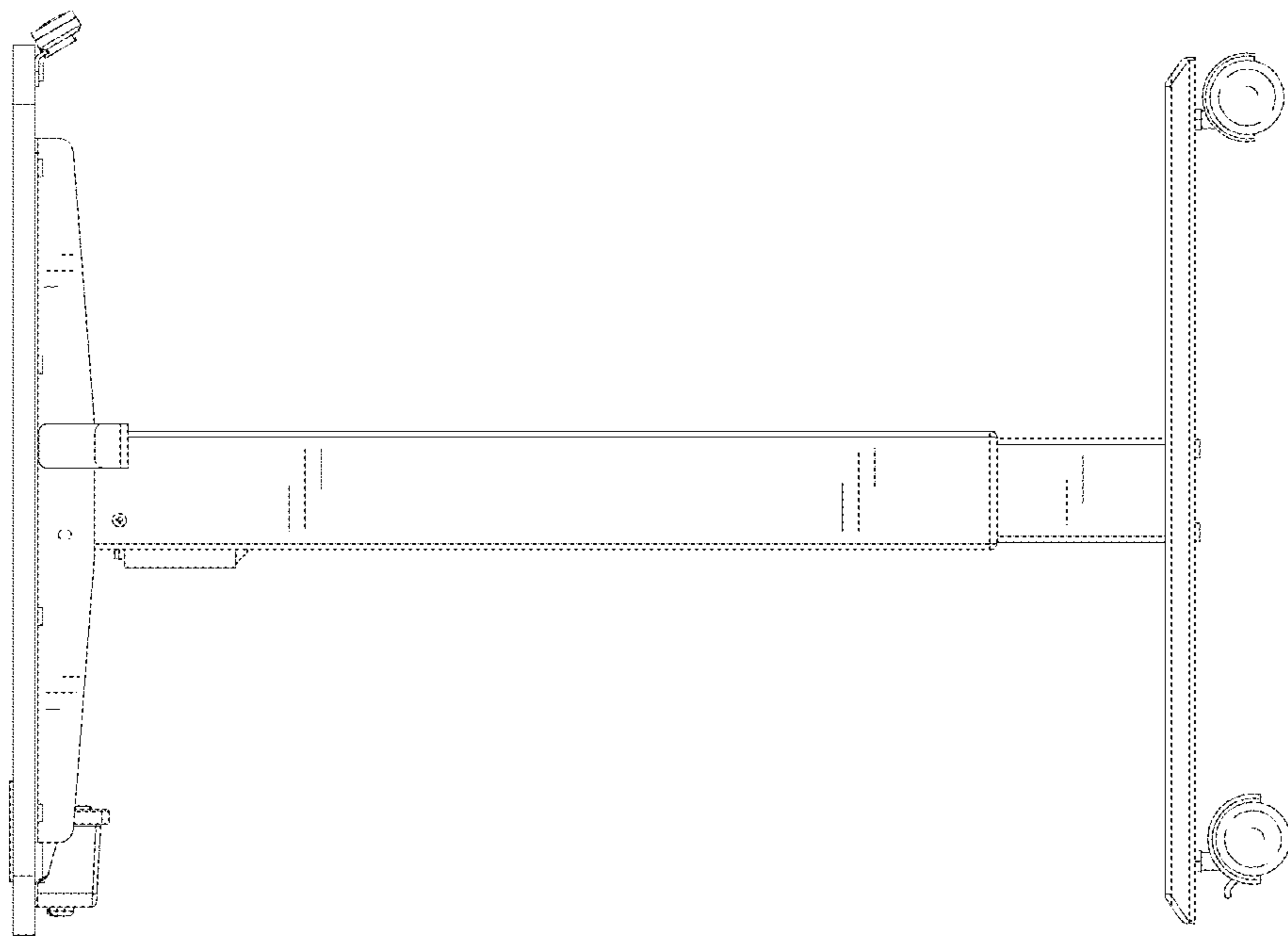


FIG. 6



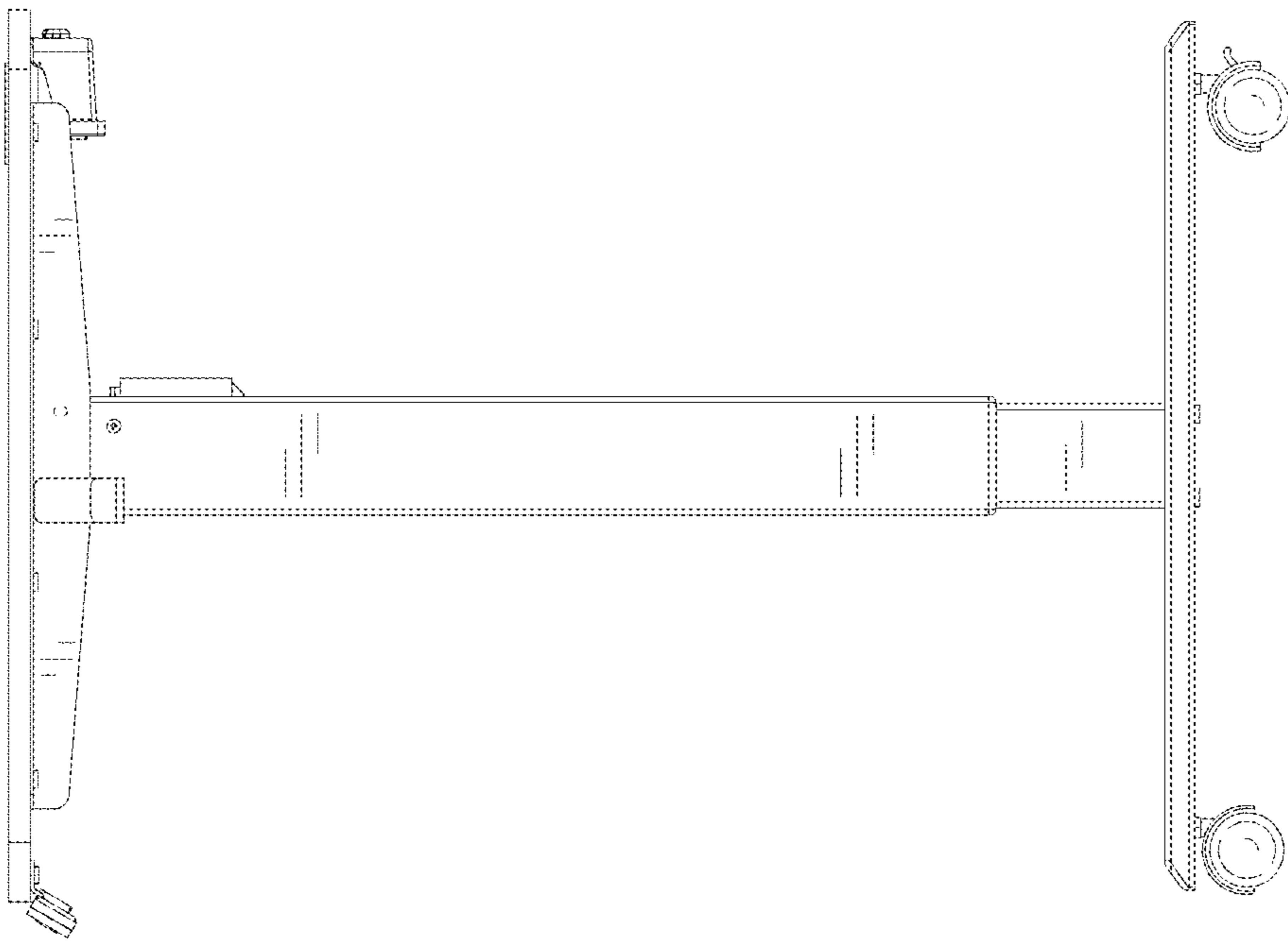


FIG. 7

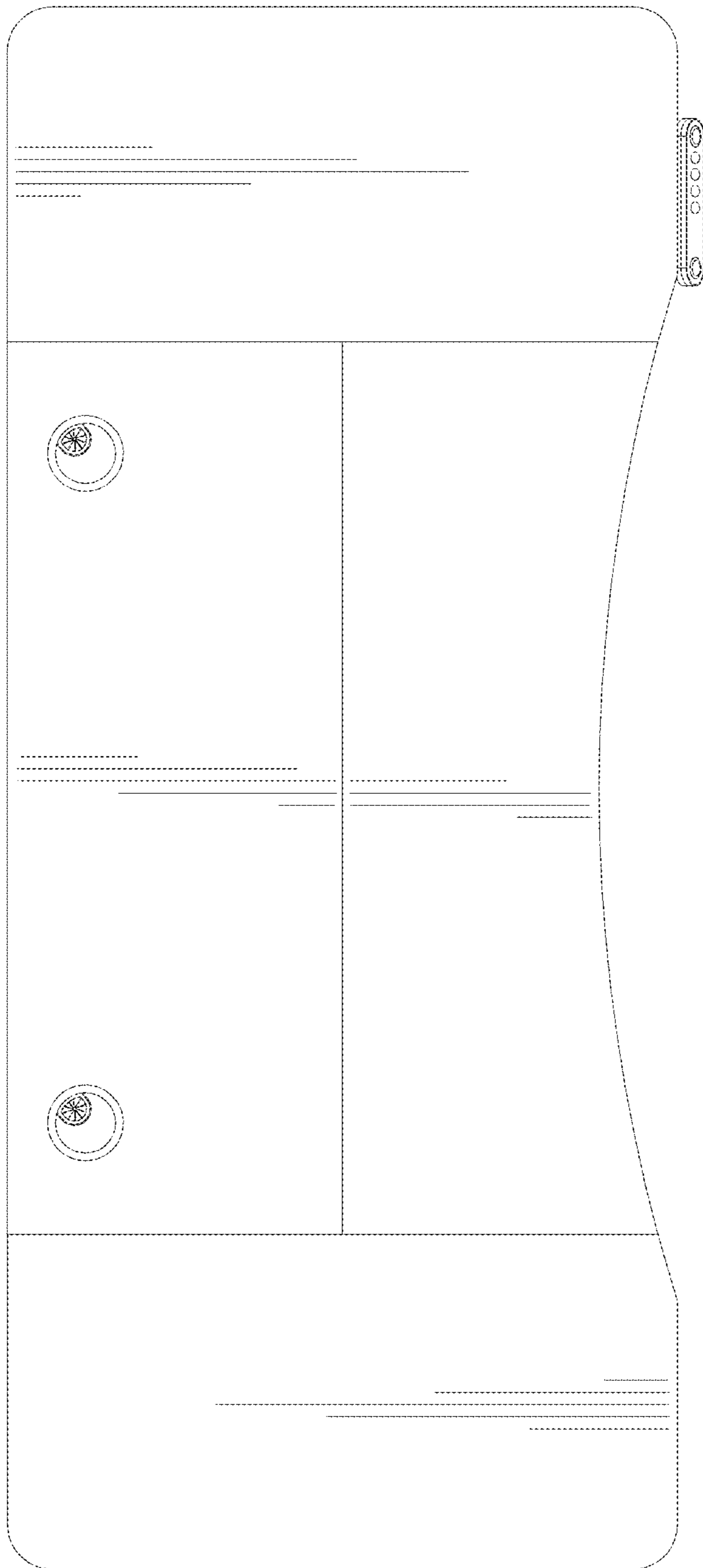


FIG. 8

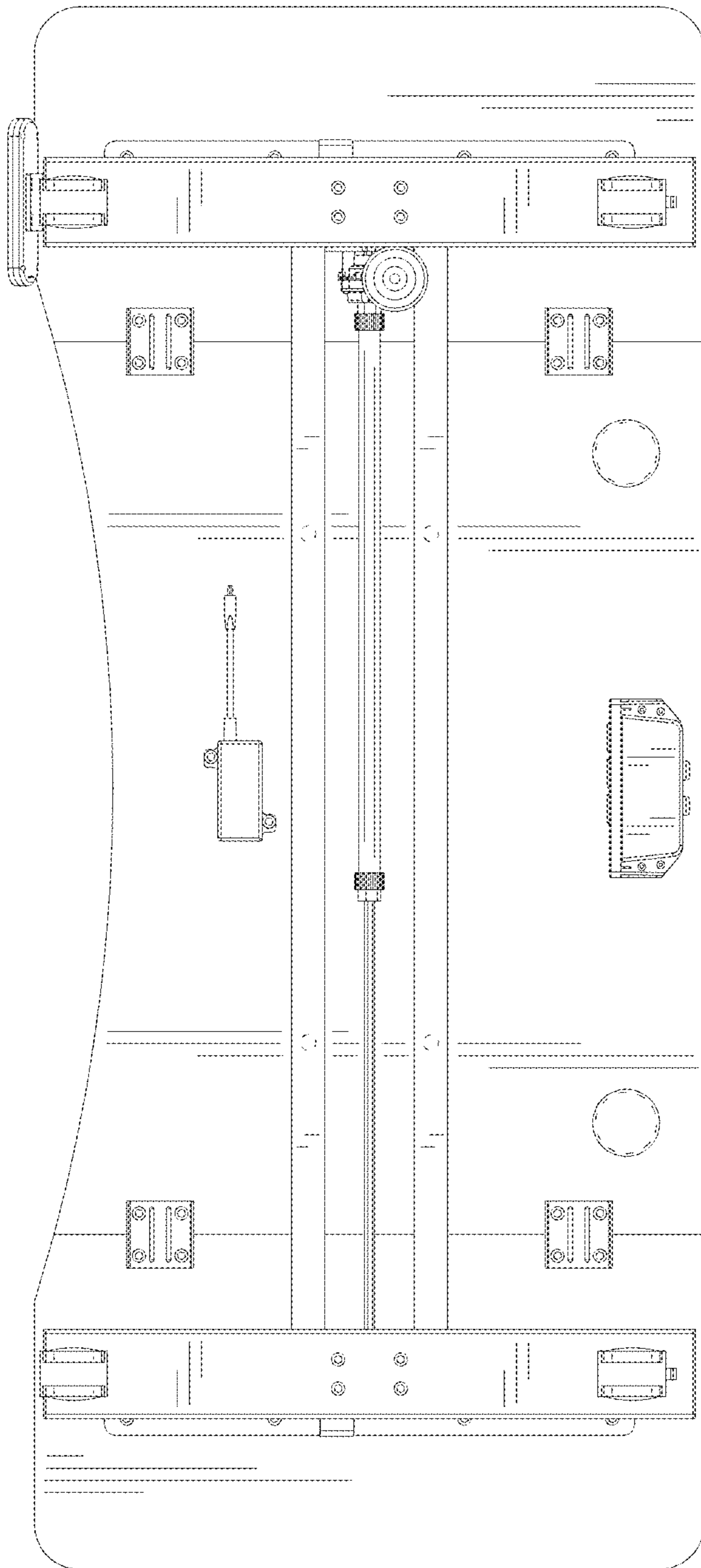


FIG. 9

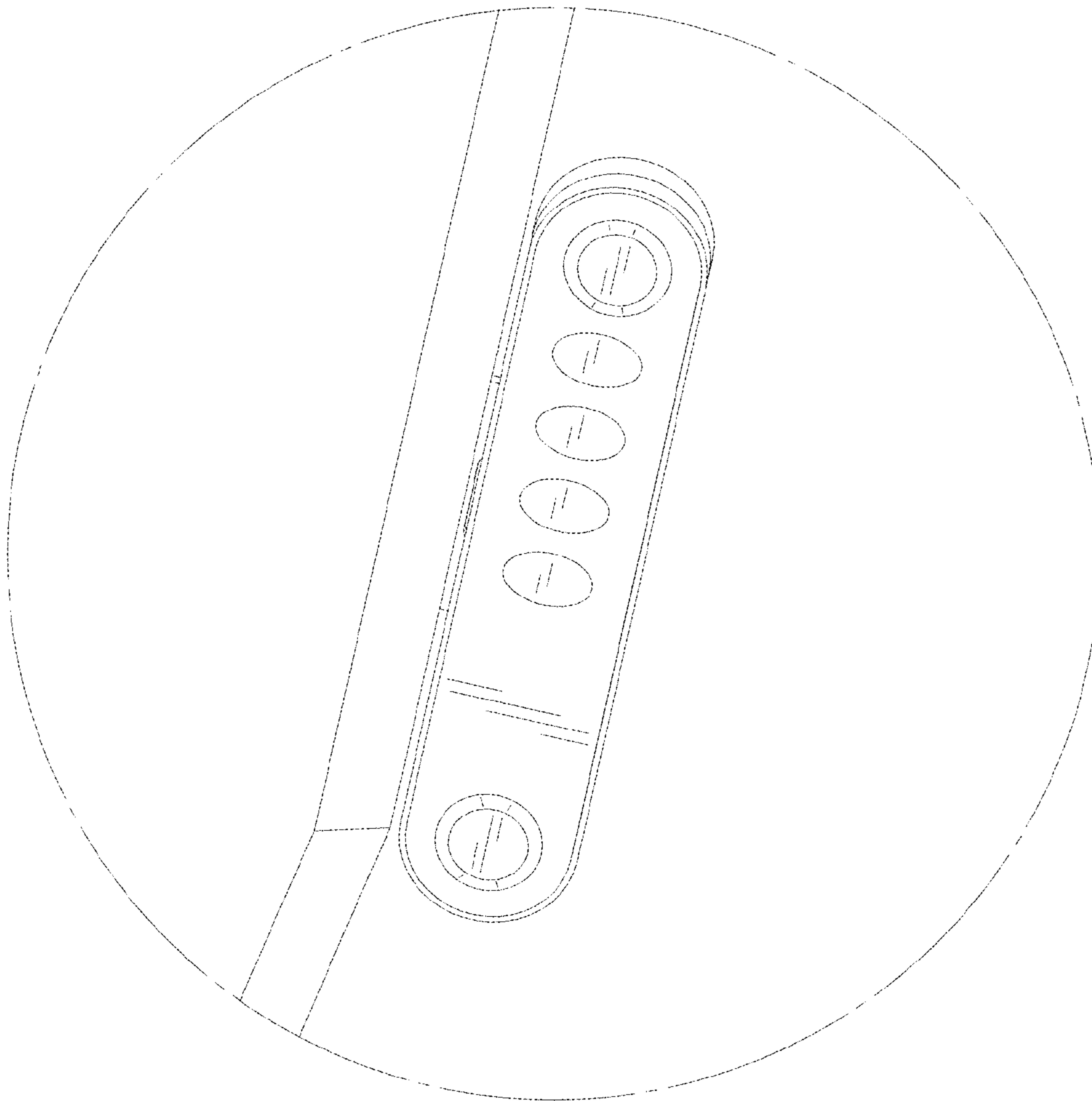


FIG. 10

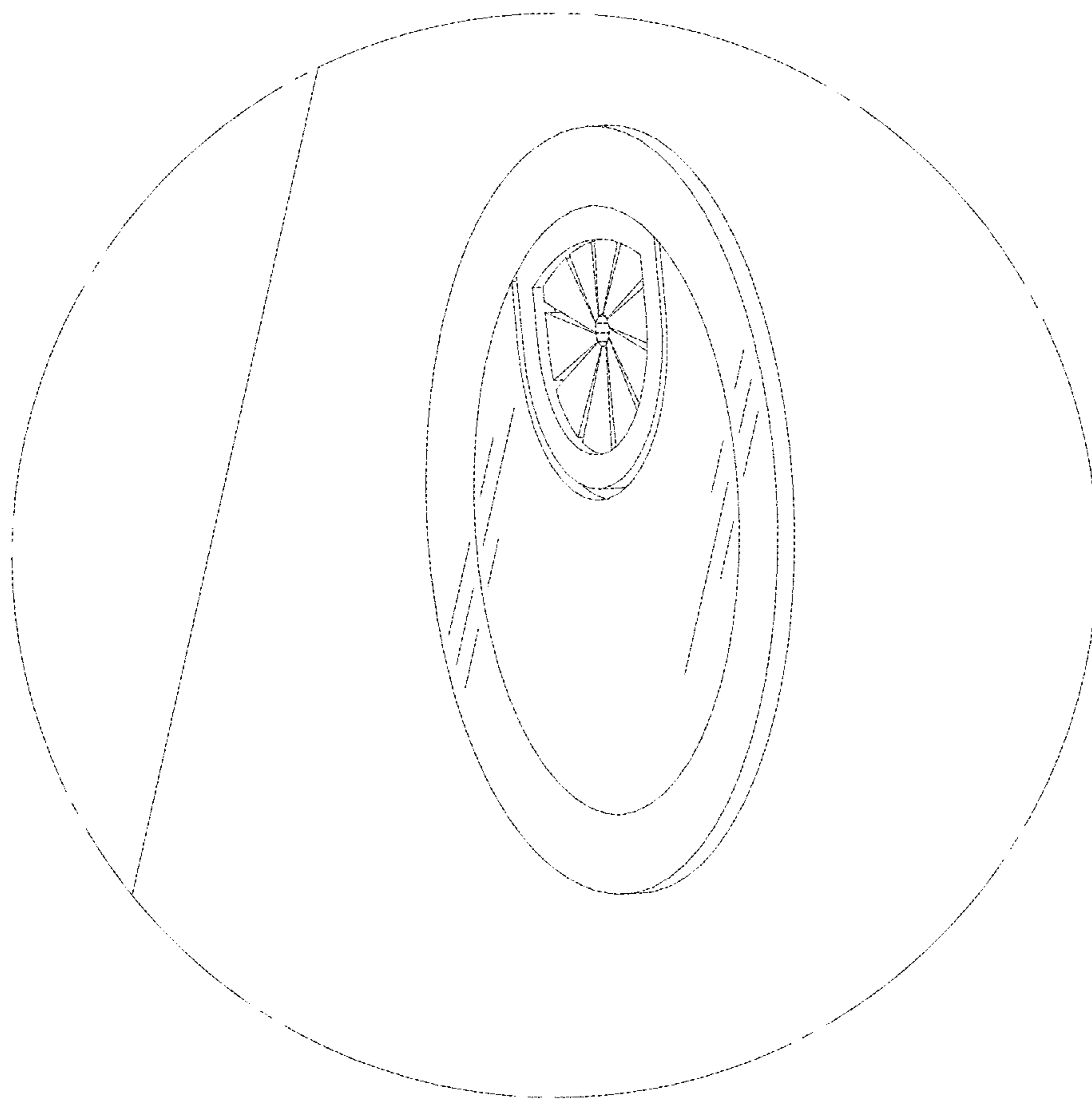


FIG. 11

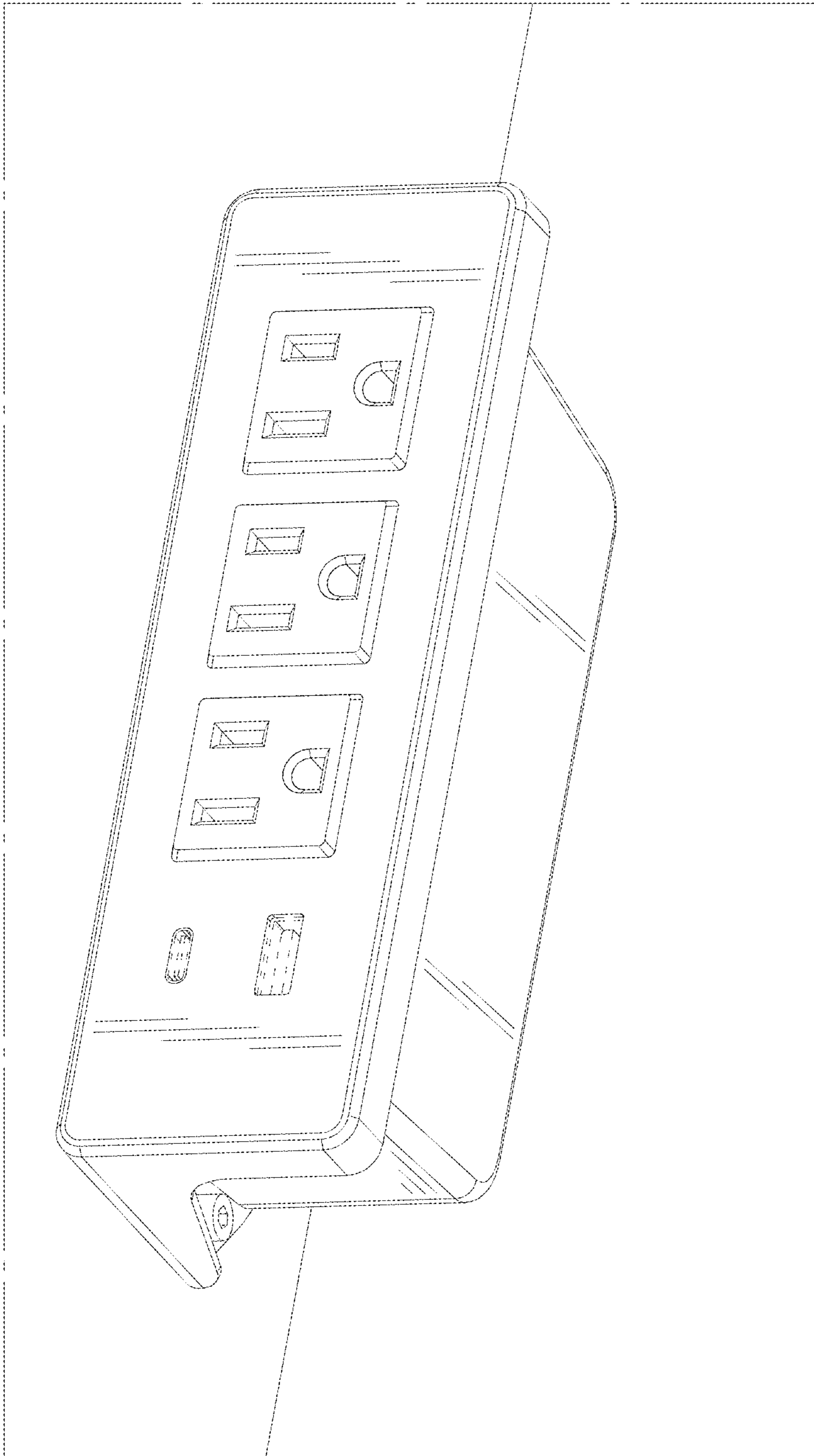


FIG. 12

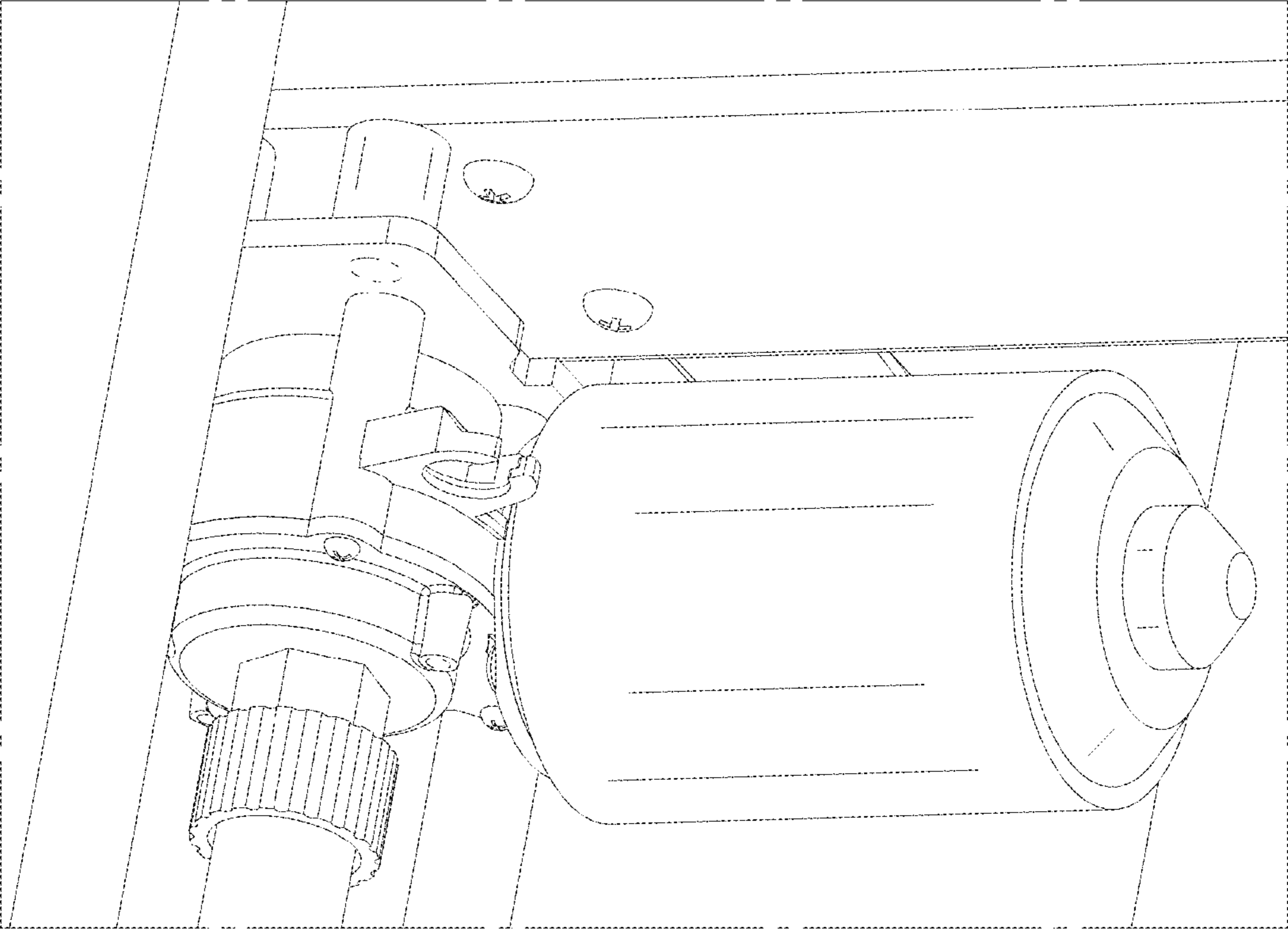


FIG. 13

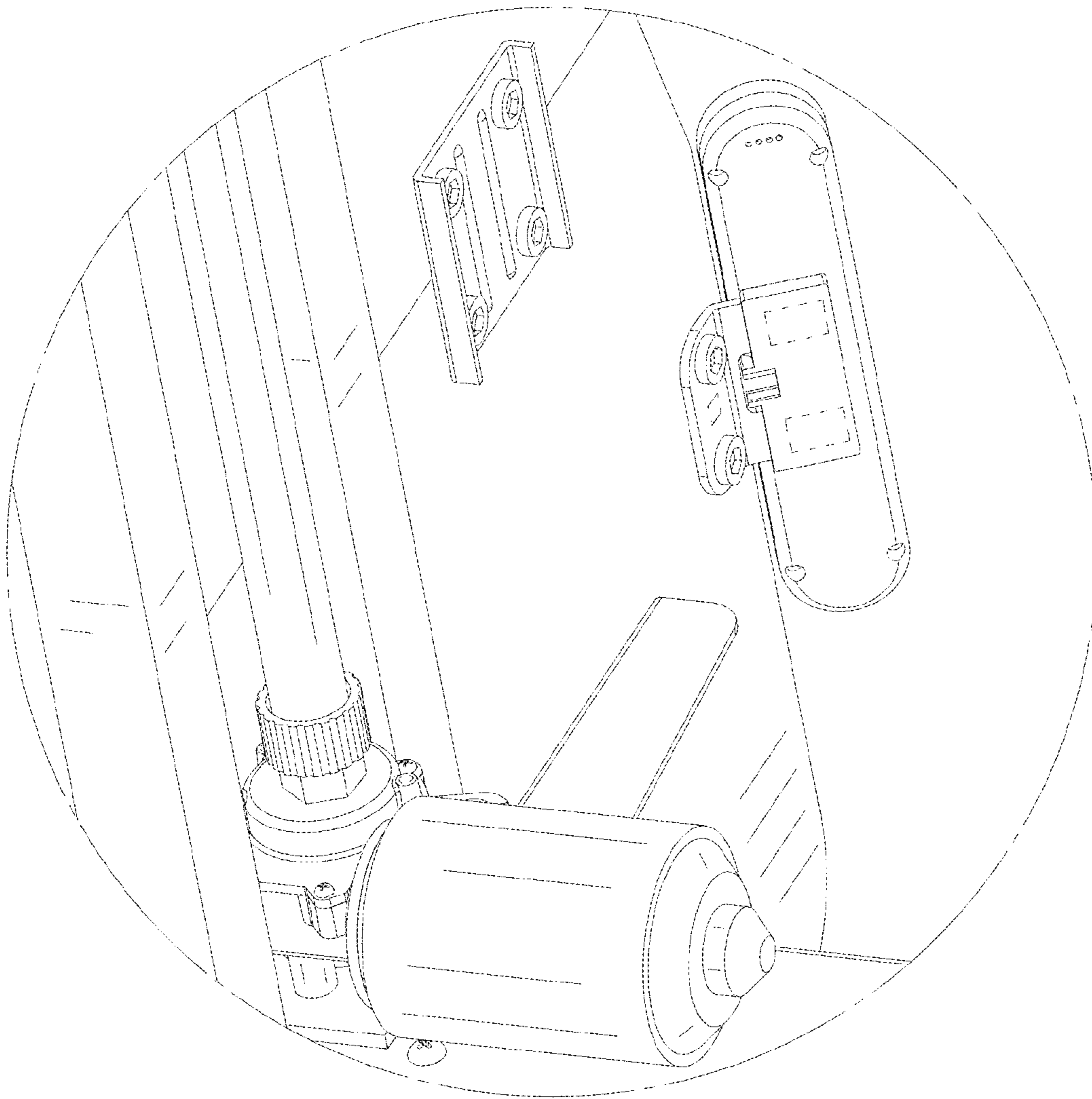


FIG. 14



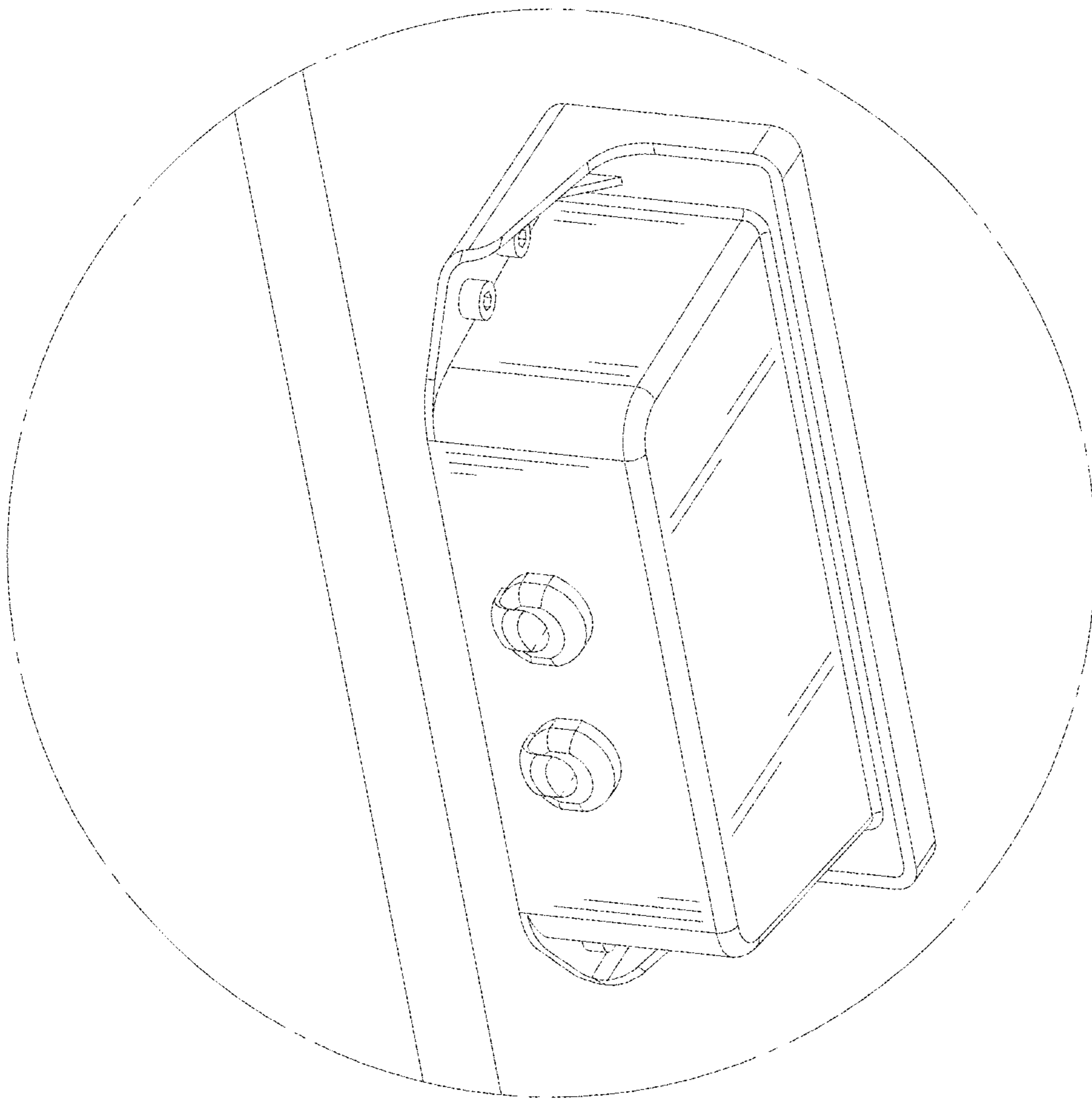


FIG. 15