



US00D979987S

(12) **United States Design Patent**  
**Stough**

(10) **Patent No.:** **US D979,987 S**  
(45) **Date of Patent:** **\*\* Mar. 7, 2023**

(54) **THERMAL CHAIR COVER**  
(71) Applicant: **Laurel M. Stough**, Swannanoa, NC  
(US)  
(72) Inventor: **Laurel M. Stough**, Swannanoa, NC  
(US)  
(\*\*) Term: **15 Years**

(21) Appl. No.: **29/770,226**  
(22) Filed: **Feb. 10, 2021**  
(51) **LOC (14) Cl.** ..... **06-13**  
(52) **U.S. Cl.**  
USPC ..... **D6/611**  
(58) **Field of Classification Search**  
USPC ..... D6/610-612; D7/402; D12/221  
CPC ..... A47C 31/10; A47C 31/11; A47C 7/386;  
A47J 37/0786; B60N 2/60; B60N 2/6018;  
A47K 1/06

See application file for complete search history.

(56) **References Cited**

**U.S. PATENT DOCUMENTS**

4,844,540 A \* 7/1989 Pegram ..... A47C 21/022  
297/229  
D387,939 S \* 12/1997 Tedesco ..... B60N 2/6036  
D6/610  
D527,938 S \* 9/2006 Dandrea ..... A47G 9/062  
D6/611  
D620,741 S \* 8/2010 Pride-Darrington .....  
A47C 21/022  
D6/608  
D793,125 S \* 8/2017 Bemis ..... D6/611

D880,193 S \* 4/2020 Clark ..... D6/601  
D909,795 S \* 2/2021 Qu ..... D6/611  
2002/0096919 A1\* 7/2002 Sparks ..... B60N 2/6036  
297/228.12  
2008/0281701 A1\* 11/2008 Scheiner ..... G09F 23/00  
297/229  
2015/0013065 A1\* 1/2015 Ketcham ..... A47G 9/062  
297/229  
2015/0097402 A1\* 4/2015 Bee ..... A47C 31/113  
297/229

\* cited by examiner

*Primary Examiner* — Kevin K Rudzinski  
*Assistant Examiner* — Clare Ann Gannon  
(74) *Attorney, Agent, or Firm* — The Van Winkle Law  
Firm; William Heedy

(57) **CLAIM**

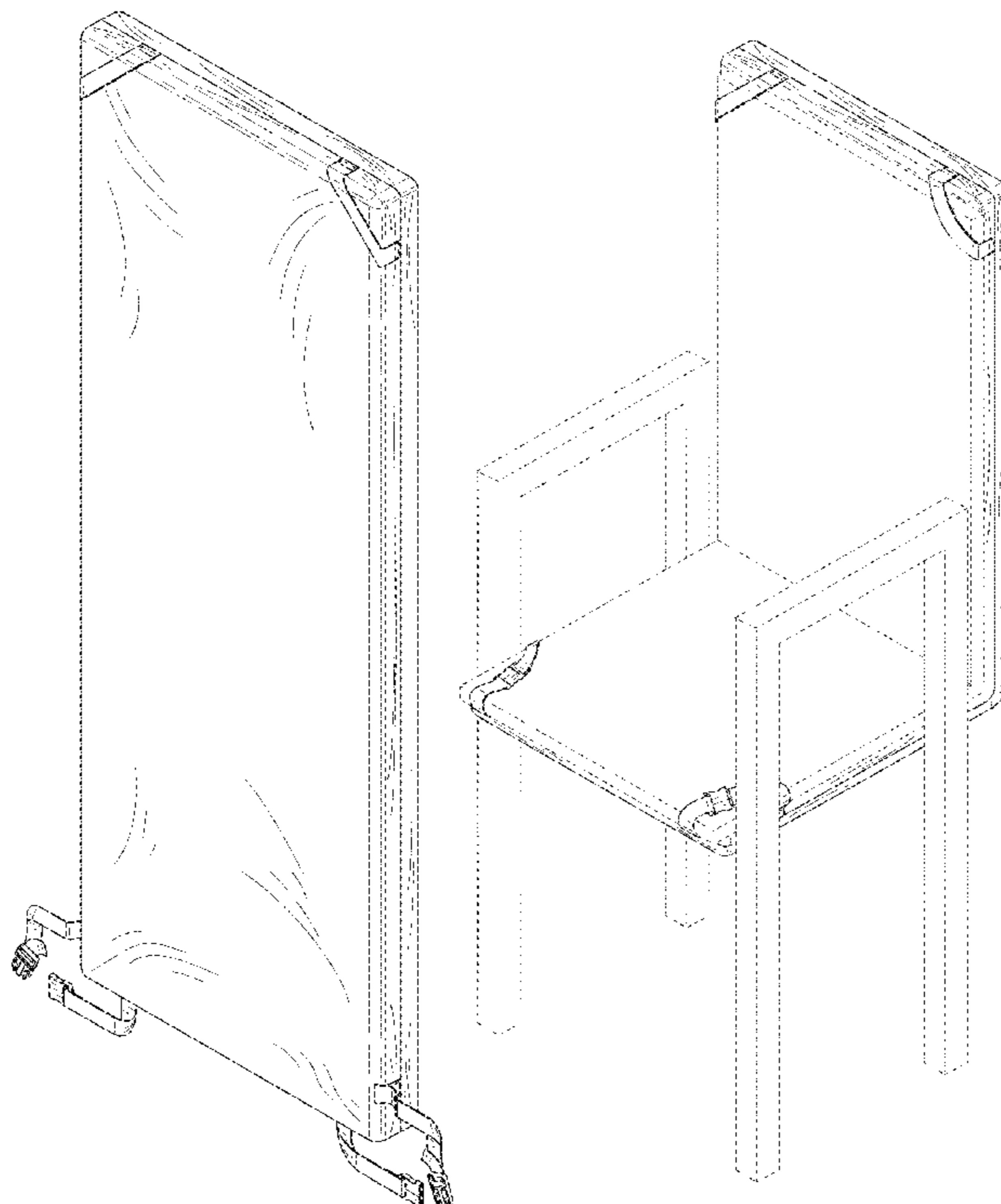
The ornamental design for a thermal chair cover, as shown  
and described.

**DESCRIPTION**

FIG. 1 is a perspective view of a thermal chair cover  
showing my new design;  
FIG. 2 is a front elevational view thereof;  
FIG. 3 is a rear elevational view thereof;  
FIG. 4 is a right side view thereof;  
FIG. 5 is a left side view thereof;  
FIG. 6 is a top plan view thereof;  
FIG. 7 is a bottom plan thereof; and,  
FIG. 8 is a perspective view shown in its environment  
thereof.

In the drawings, the broken lines showing a chair in FIG. 8  
form no part of the claimed design.

**1 Claim, 6 Drawing Sheets**



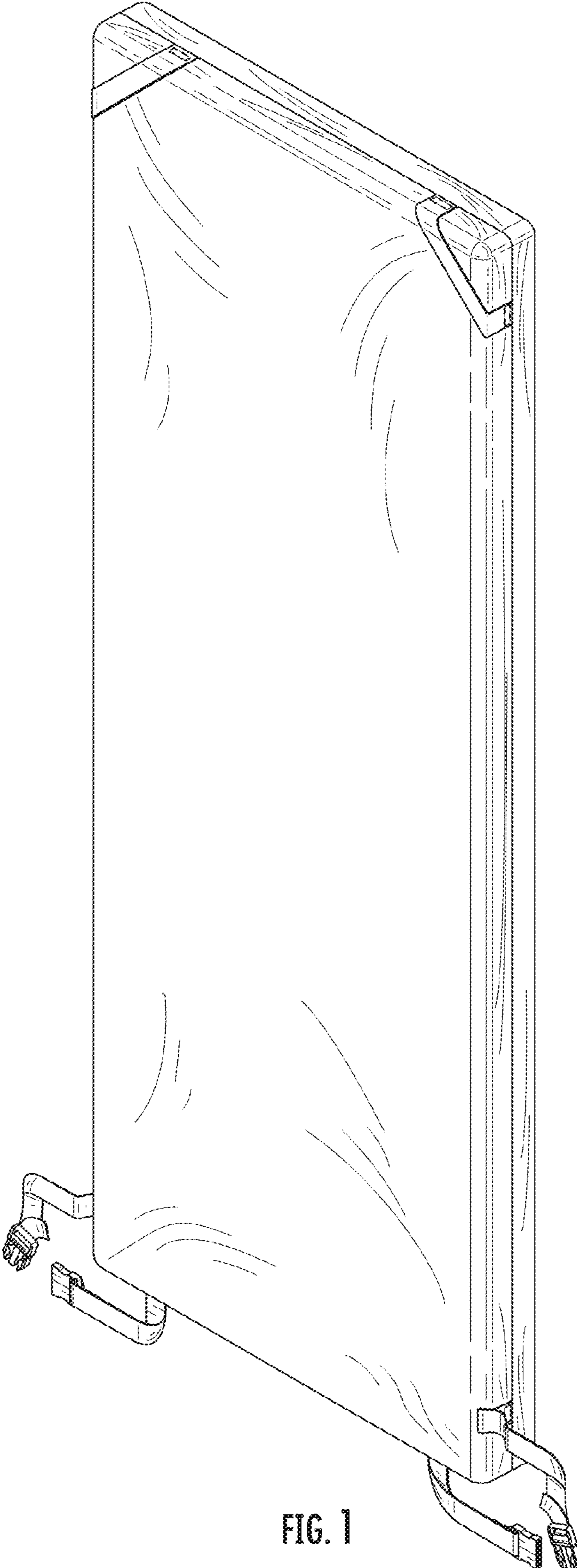


FIG. 1

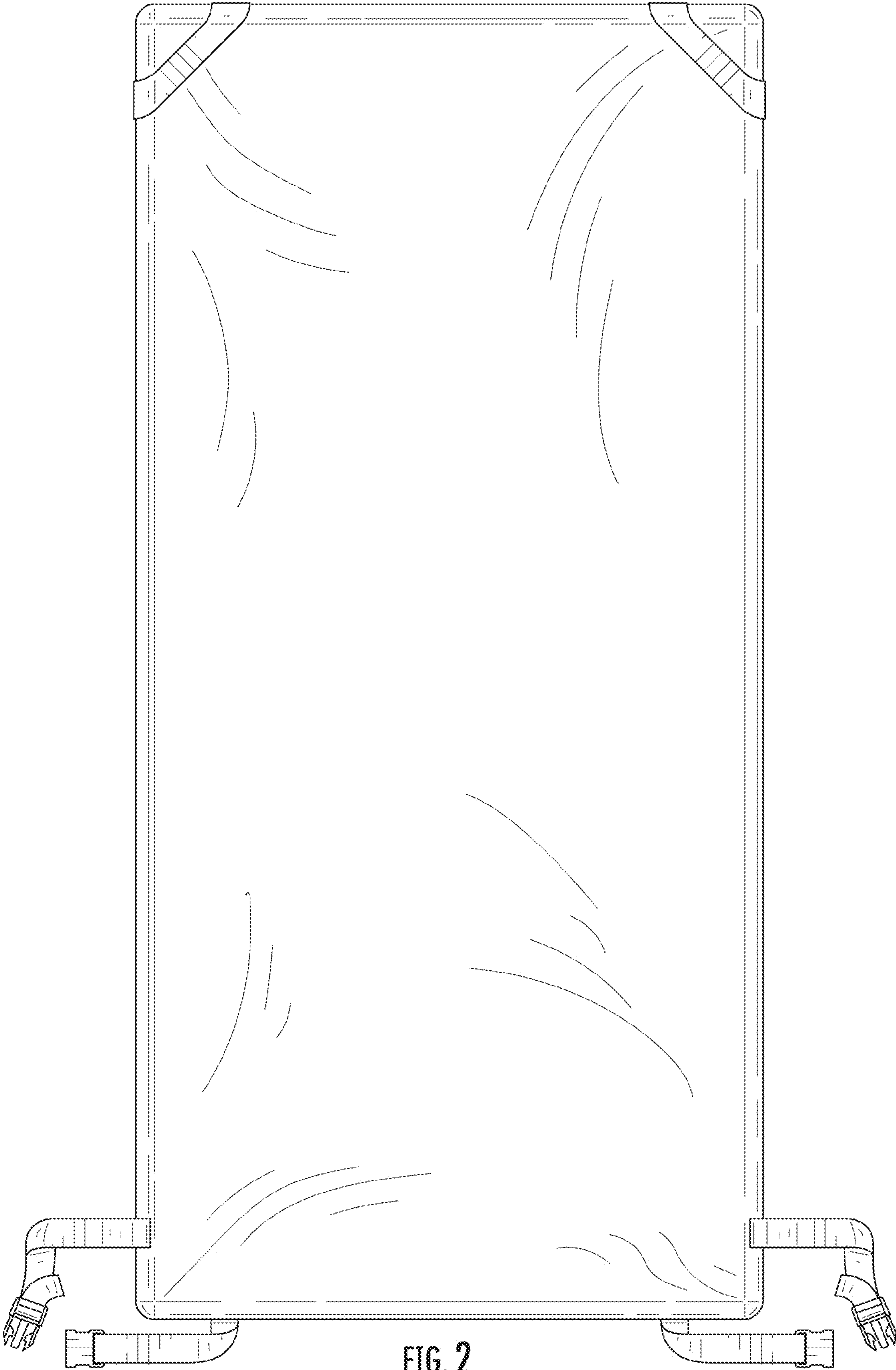
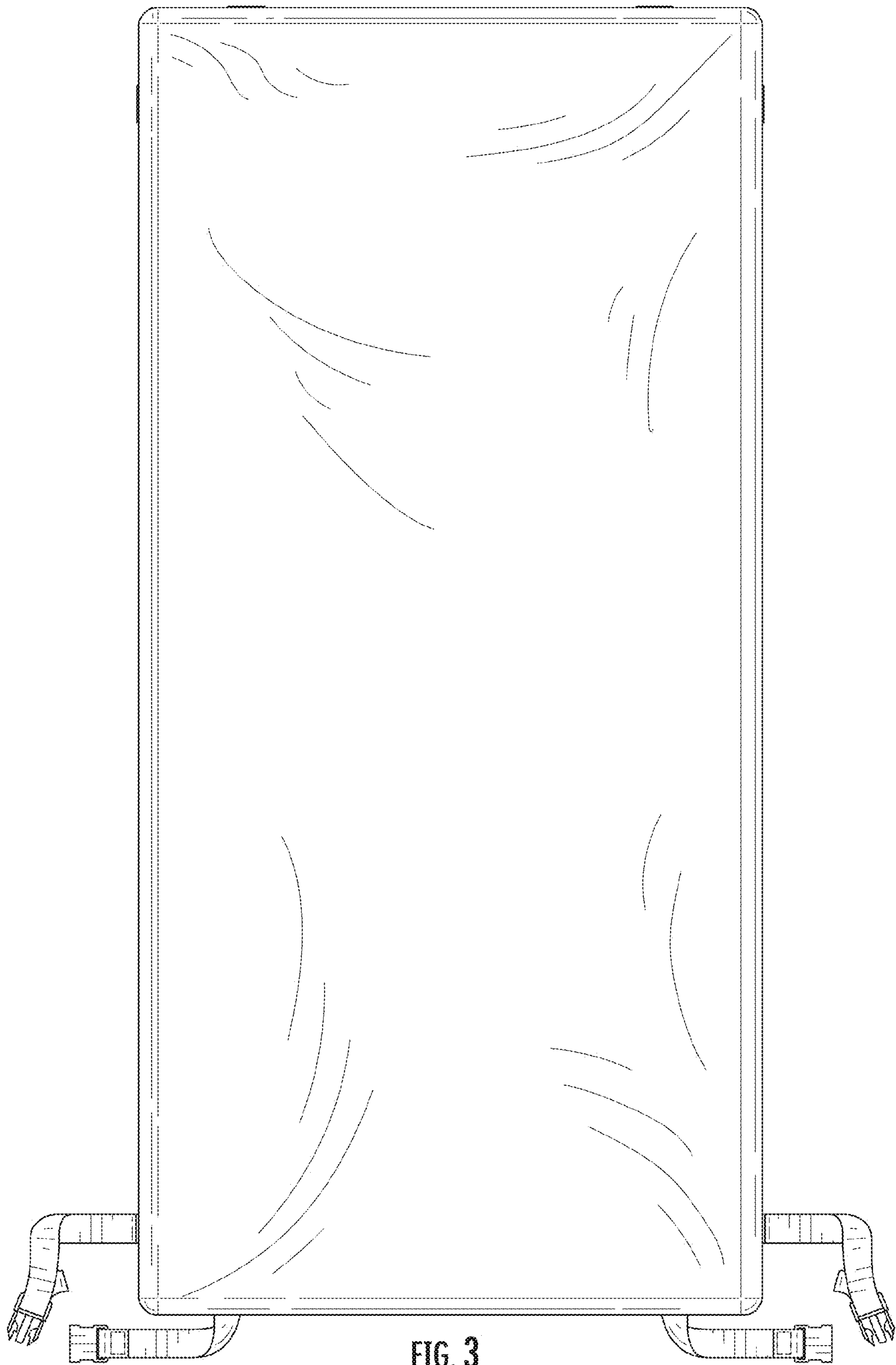


FIG. 2



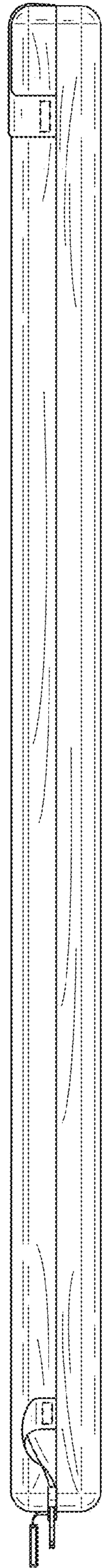


FIG. 4

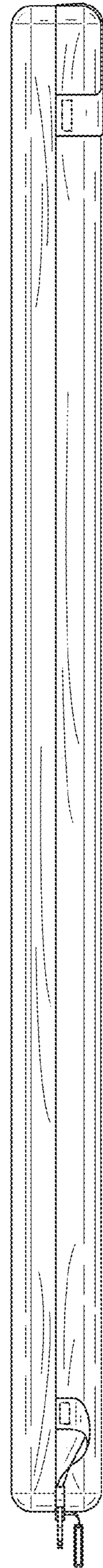


FIG. 5

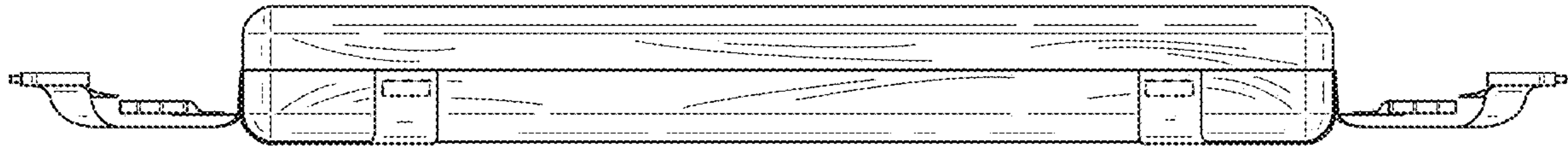


FIG. 6

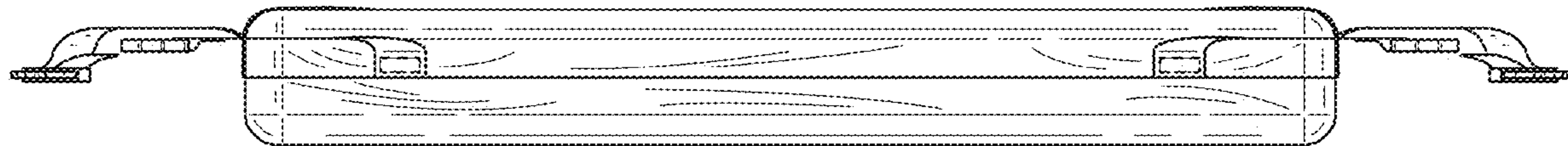


FIG. 7

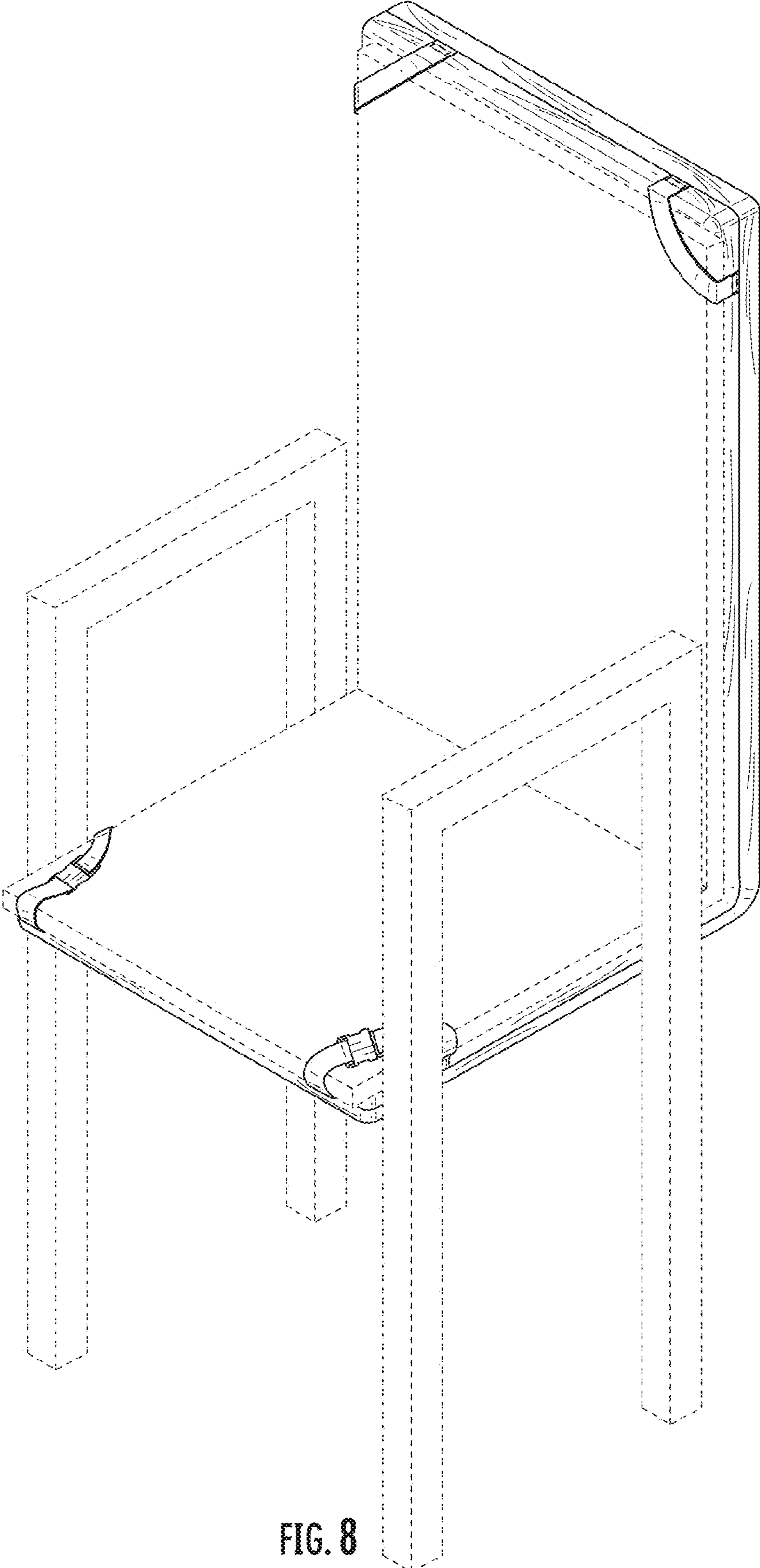


FIG. 8