



US00D979985S

(12) **United States Design Patent**
Yamada et al.

(10) **Patent No.:** **US D979,985 S**
(45) **Date of Patent:** **** Mar. 7, 2023**

- (54) **CORE FOR A PILLOW**
- (71) Applicant: **NISHIKAWA Co., Ltd.**, Tokyo (JP)
- (72) Inventors: **Shinano Yamada**, Tokyo (JP); **Seiji Tainaka**, Tokyo (JP)
- (73) Assignee: **NISHIKAWA Co., Ltd.**, Tokyo (JP)
- (**) Term: **15 Years**
- (21) Appl. No.: **35/511,129**
- (22) Filed: **Jul. 9, 2020**

(80) **Hague Agreement Data**

Int. Filing Date: **Jul. 9, 2020**
 Int. Reg. No.: **DM/209861**
 Int. Reg. Date: **Jul. 9, 2020**
 Int. Reg. Pub. Date: **Jan. 15, 2021**

(30) **Foreign Application Priority Data**

Jan. 20, 2020 (JP) 2020-000841

(51) **LOC (14) Cl.** **06-09**

(52) **U.S. Cl.**
USPC **D6/606**

(58) **Field of Classification Search**
USPC D5/1, 2, 3, 4, 7, 27, 43, 44, 47, 51, 54,
D5/55, 56, 57, 58, 59, 60, 61, 62, 63, 65,
(Continued)

(56) **References Cited**

U.S. PATENT DOCUMENTS

1,987,390 A * 1/1935 Davis A61H 7/003
15/244.4
D132,537 S * 5/1942 Rhodes D5/53
(Continued)

OTHER PUBLICATIONS

Epabo Foam Pillow, Mar. 19, 2018, found on Nov. 20, 2021 at
https://www.amazon.com/dp/B07BKVG42X/ref=sspa_dk_detail_2?pd_rd_w=JJw78&pf_rd_p=9fd3ea7c-b77c-42ac-b43b- (Year: 2018).*

(Continued)

Primary Examiner — Karen S Acker

(74) *Attorney, Agent, or Firm* — Sughrue Mion, PLLC

(57) **CLAIM**

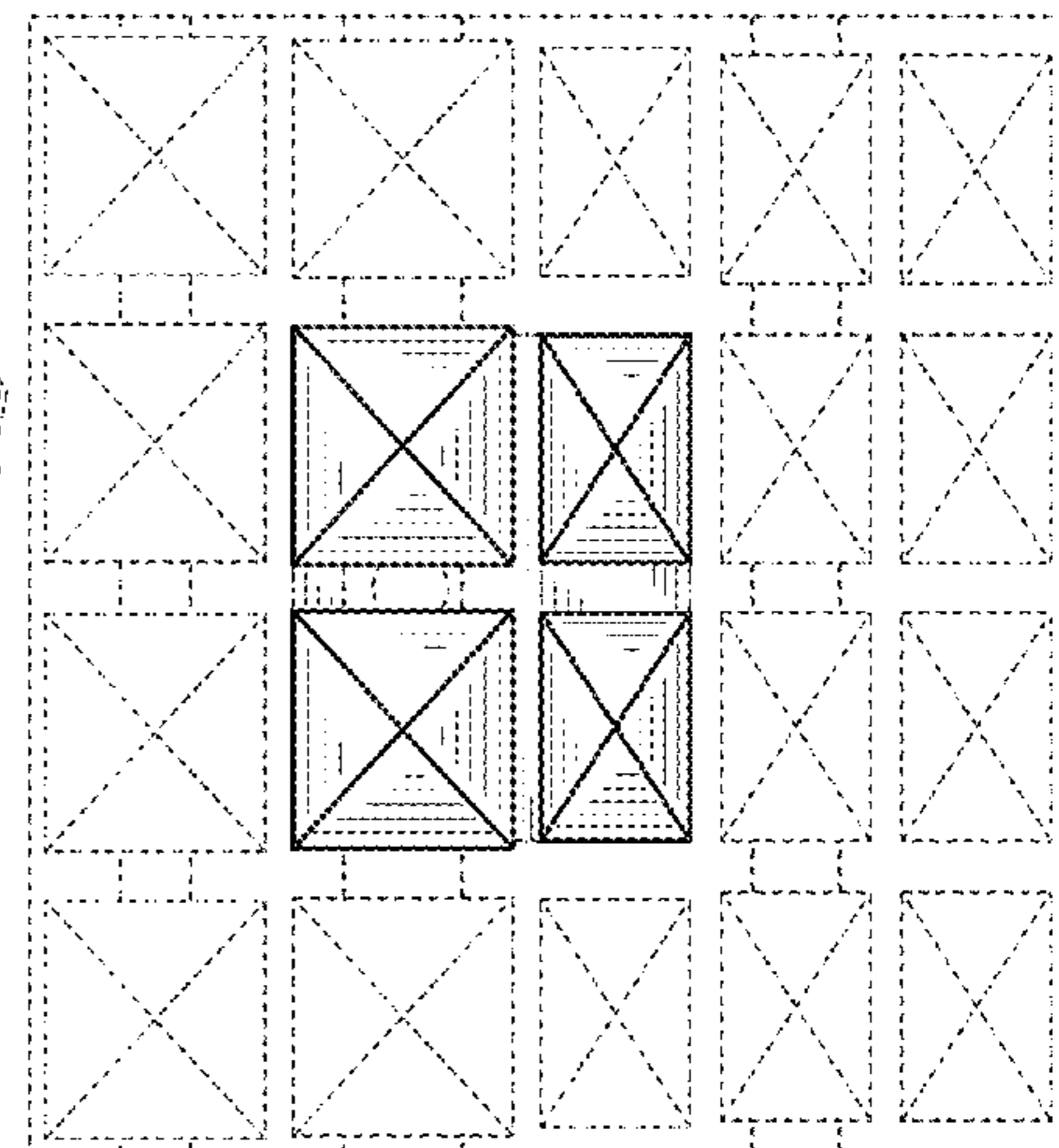
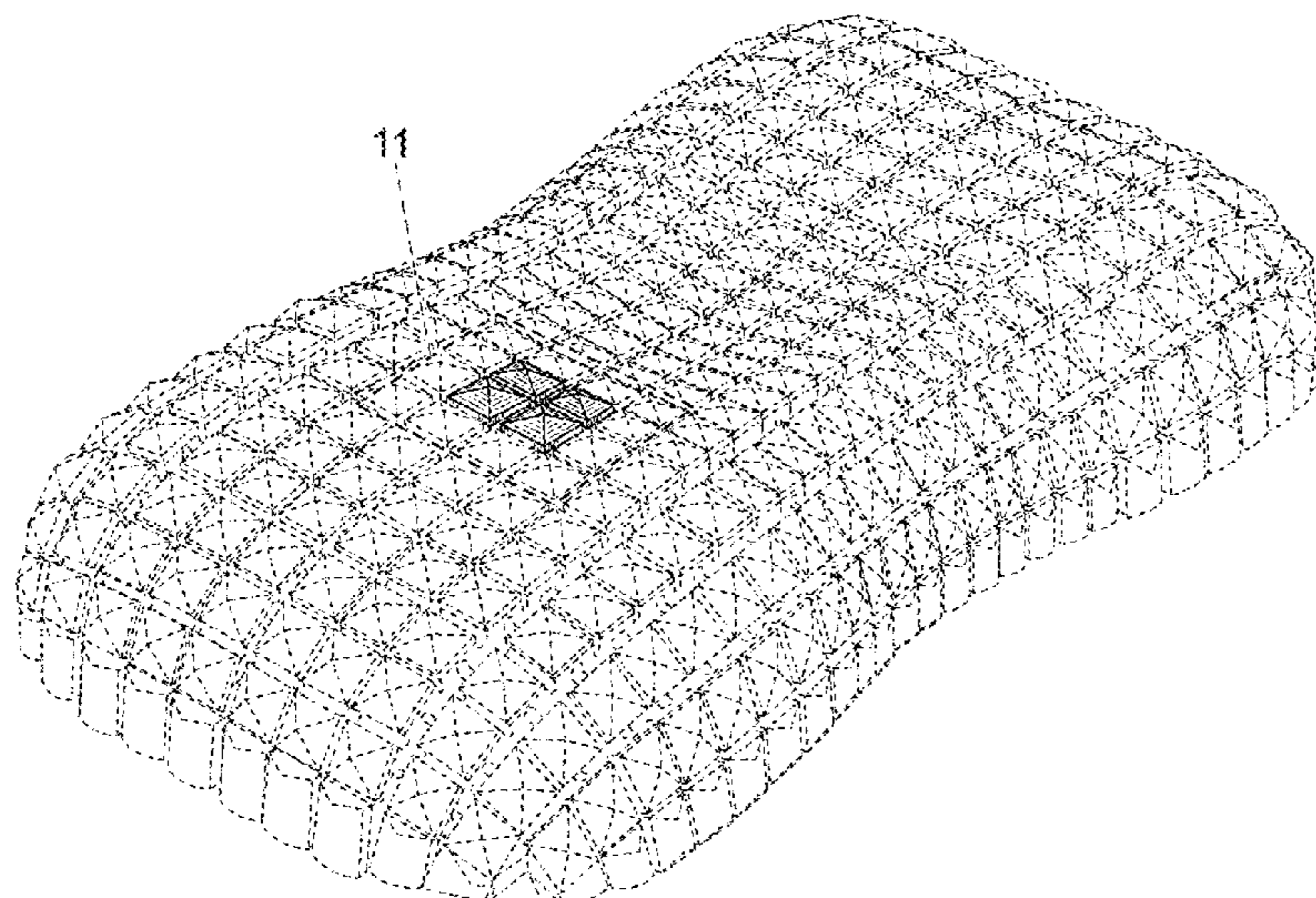
The ornamental design for a core for a pillow, as shown and described.

DESCRIPTION

- 1. Core for a pillow
- 1.1 is a front view of a core for a pillow of the present invention;
- 1.2 is a back view thereof;
- 1.3 is a top plan view thereof;
- 1.4 is a bottom view thereof;
- 1.5 is a right side view thereof;
- 1.6 is a left side view thereof;
- 1.7 is a perspective view thereof;
- 1.8 is a cross-sectional view taken along line 8-8 in figure 1.3;
- 1.9 is a cross-sectional view taken along line 9-9 in figure 1.3;
- 1.10 is an enlarged detail view of area 10 circumscribed within figure 1.3;
- 1.11 is an enlarged detail view of area 11 circumscribed within figure 1.7;
- 1.12 is an enlarged detail view of area 12 circumscribed within figure 1.8;
- 1.13 is an enlarged detail view of area 13 circumscribed within figure 1.9.

The core for a pillow is intended to be used by attaching it to a pillow cover. The dot dash dot broken lines denote the boundaries of the claim and form no part thereof. The evenly spaced broken lines depict portions of the core for a pillow that form no part of the claimed design. Broken lines which indicate the boundaries of the detail areas form no part of the claimed design.

1 Claim, 13 Drawing Sheets



(58) **Field of Classification Search**

USPC D5/99; D6/592, 601, 602, 608, 610, 613,
D6/621, 622; D19/1, 5; D20/25, 28, 31;
D21/333; D25/138, 149, 151; D32/40
CPC B44F 3/00; B44F 7/00; D02G 3/22; D03D
3/00; D03D 9/00; D06N 7/00; D21H 5/02
See application file for complete search history.

(56) **References Cited**

U.S. PATENT DOCUMENTS

2,371,318 A * 3/1945 Rosenfeld B44C 3/12
112/475.01
3,068,956 A * 12/1962 Cooley F21V 5/02
52/316
3,523,057 A * 8/1970 Buck B29C 70/64
428/156
4,725,475 A * 2/1988 Fiscus H01Q 1/422
428/319.3
4,777,855 A * 10/1988 Cohen B29C 44/56
5/636
4,901,387 A * 2/1990 Luke A47C 27/146
5/736
5,152,023 A * 10/1992 Graebe A47C 27/10
5/655.3
5,160,785 A * 11/1992 Davidson, Jr. A47C 27/146
5/736
D345,072 S * 3/1994 Rose D6/601
5,369,828 A * 12/1994 Graebe A61G 5/1091
297/452.41
D375,863 S * 11/1996 Bigolin D6/601
D394,578 S * 5/1998 Raburn D6/601
5,845,352 A * 12/1998 Matsler A61G 5/1043
297/452.47
6,500,507 B1 * 12/2002 Fisher F41H 5/0428
428/36.1
D484,349 S * 12/2003 Fujita H01Q 1/422
D6/601
D486,027 S * 2/2004 Baxter D6/596
D497,761 S * 11/2004 Martin D6/601
D511,213 S * 11/2005 Hasegawa A61H 7/001
D6/601
D529,326 S * 10/2006 Martin D6/601
D566,340 S * 4/2008 Benyami D29/122
D575,974 S * 9/2008 Akamatsu A61H 7/003
D6/601
D587,271 S * 2/2009 Johnson D14/439
D650,214 S * 12/2011 Klotz D6/601
D702,972 S * 4/2014 Busch A47C 27/144
D6/601

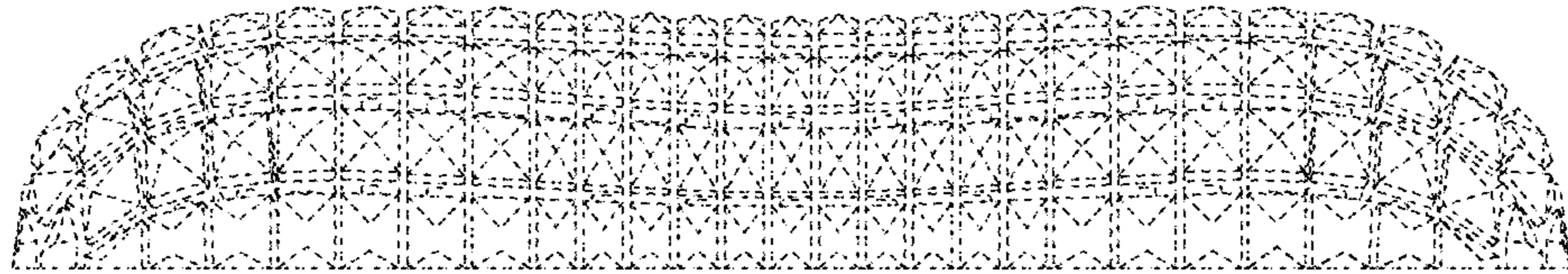
D717,076 S * 11/2014 Drazin D6/601
D754,359 S * 4/2016 Gallagher A61H 7/001
D24/214
D758,102 S * 6/2016 Mason D6/601
D758,103 S * 6/2016 Mason D6/601
D781,616 S * 3/2017 Parman D6/604
9,737,152 B2 * 8/2017 Mason A47G 9/10
D798,634 S * 10/2017 Sprouse, II A47G 9/10
D6/601
D818,290 S * 5/2018 Facco D6/601
D867,021 S * 11/2019 Yang A47C 27/10
D6/601
D876,125 S * 2/2020 Bellot A47C 27/081
D6/601
D876,127 S * 2/2020 Park A47C 27/146
D6/601
10,646,049 B2 * 5/2020 Sprouse, II A47C 27/081
D898,382 S * 10/2020 Delaney D5/58
D898,436 S * 10/2020 Li D6/601
D898,441 S * 10/2020 Bellot D6/601
10,799,030 B2 * 10/2020 Mason A47C 27/144
D919,327 S * 5/2021 Hagglund D6/582
D933,398 S * 10/2021 Bellot B29C 44/56
D6/601
D938,759 S * 12/2021 Guan A61G 5/1091
D6/601
D940,479 S * 1/2022 Liang A61G 5/1043
D6/601
2008/0244832 A1 * 10/2008 Kuo A47C 27/007
5/490
2018/0207052 A1 * 7/2018 Gallagher A61H 7/001

OTHER PUBLICATIONS

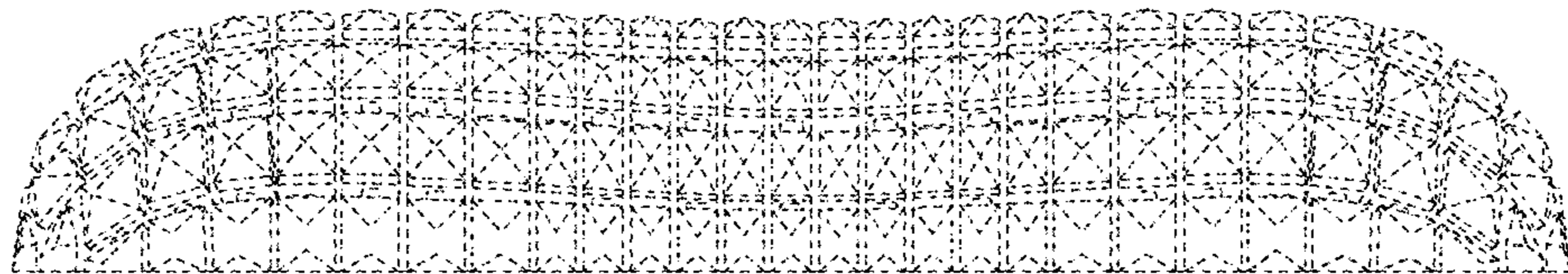
Pine and Zebra, Jun. 11, 2021, found on Nov. 20, 2021 at https://www.amazon.com/PINE-ZEBRA-Cervical-Adjustable-Sleeping/dp/B0972P8SCL/ref=sr_1_3_sspa? (Year: 2021).
“Applicant’s Website featuring Applicant’s core for a pillow”, Available at: <https://www.airsleep.jp/pdf/20190829.pdf>, Aug. 29, 2019, 2 pages.
“Applicant’s Website featuring Applicant’s core for a pillow”, Available at: <https://www.airsleep.jp/lineup/pillow4dx.html>, Aug. 29, 2019, 3 pages.
“Applicant’s Website featuring Applicant’s core for a pillow”, Available at: <https://www.nishikawasangyo.co.jp/categories/pillow/pi70370/> published on Aug. 29, 2019, 5 pages.
“Applicant’s Catalog “AiR Conditional Gear Lineupcatalog” on p. 22 and 23 featuring Applicant’s core for a pillow”, Nov. 27, 2019, pp. 22-23.

* cited by examiner

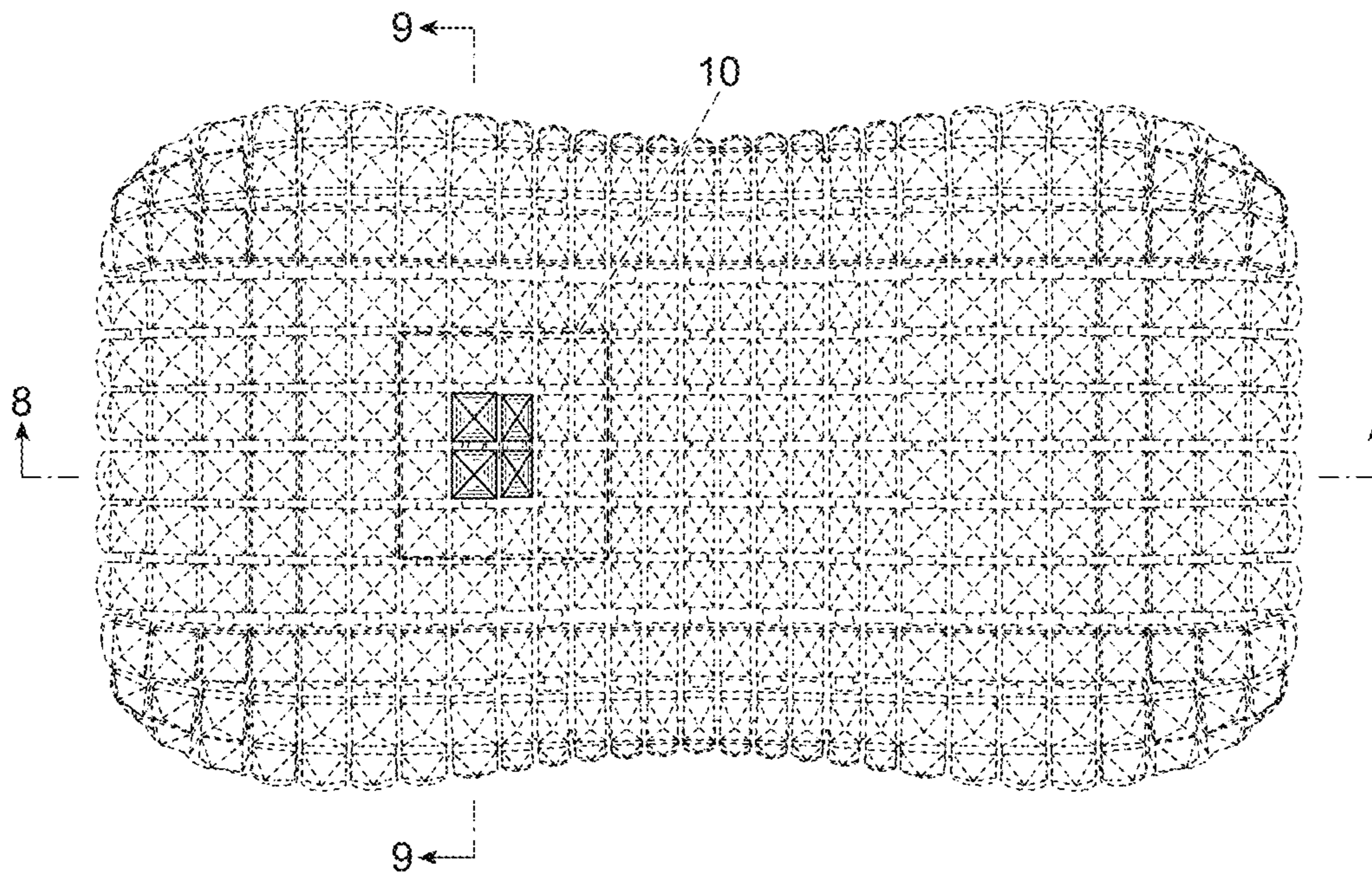
1.1



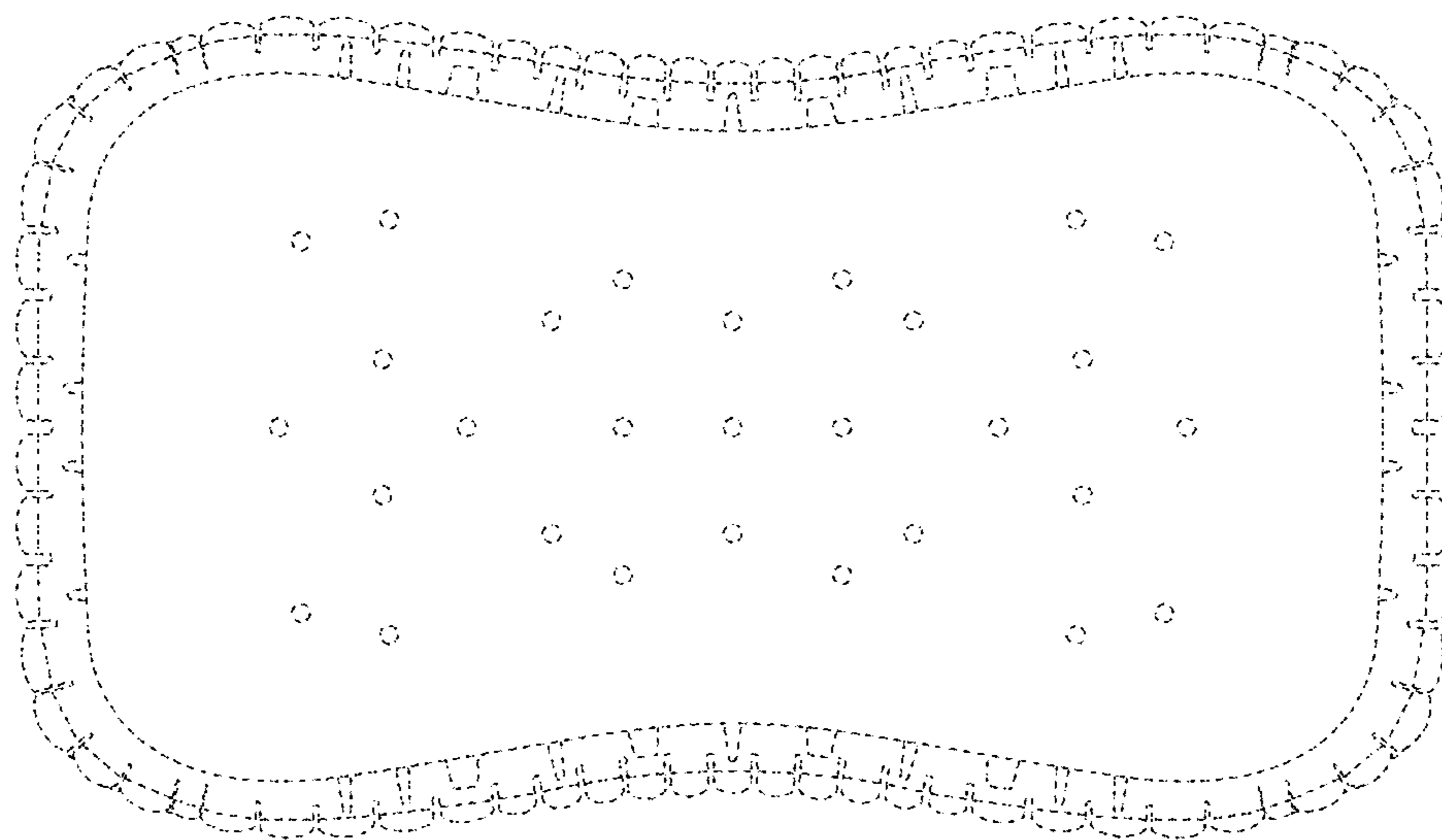
1.2



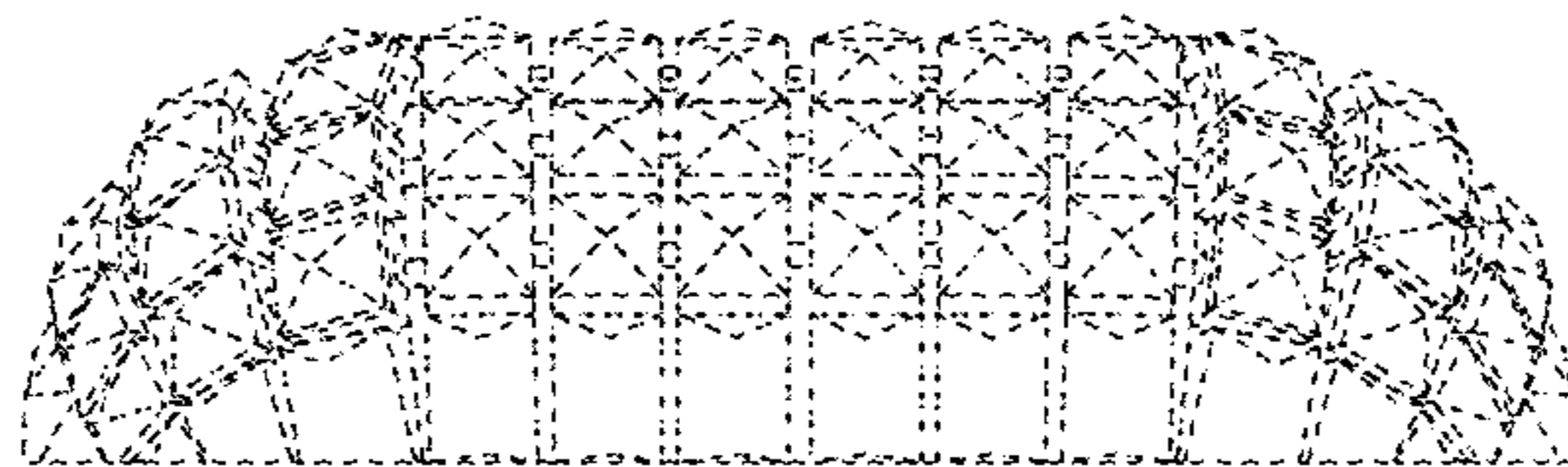
1.3



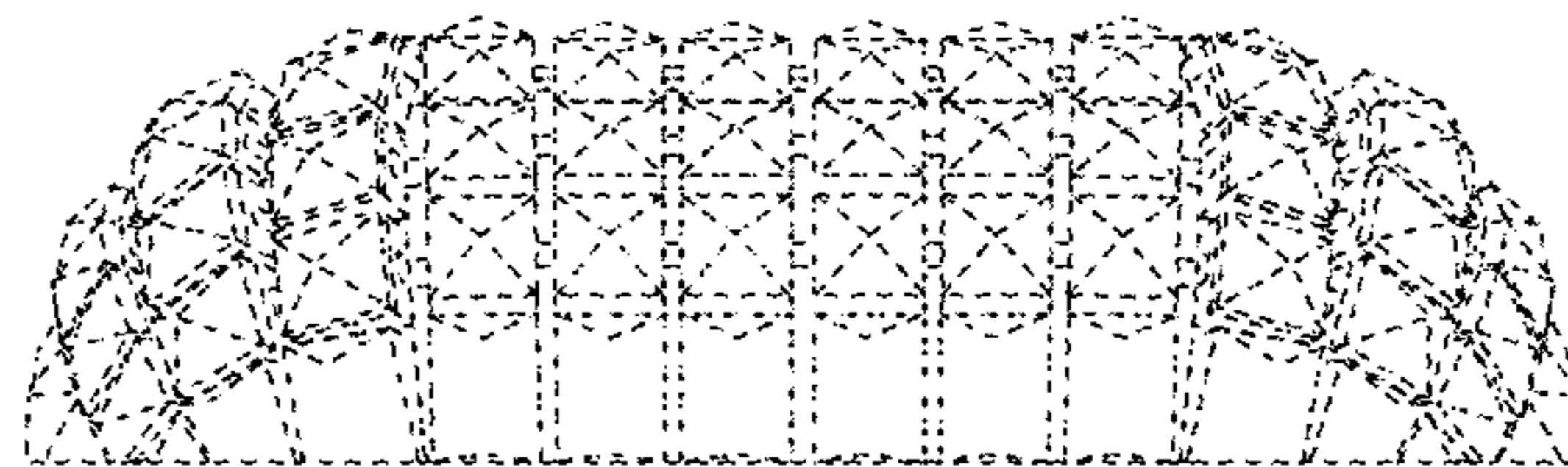
1.4



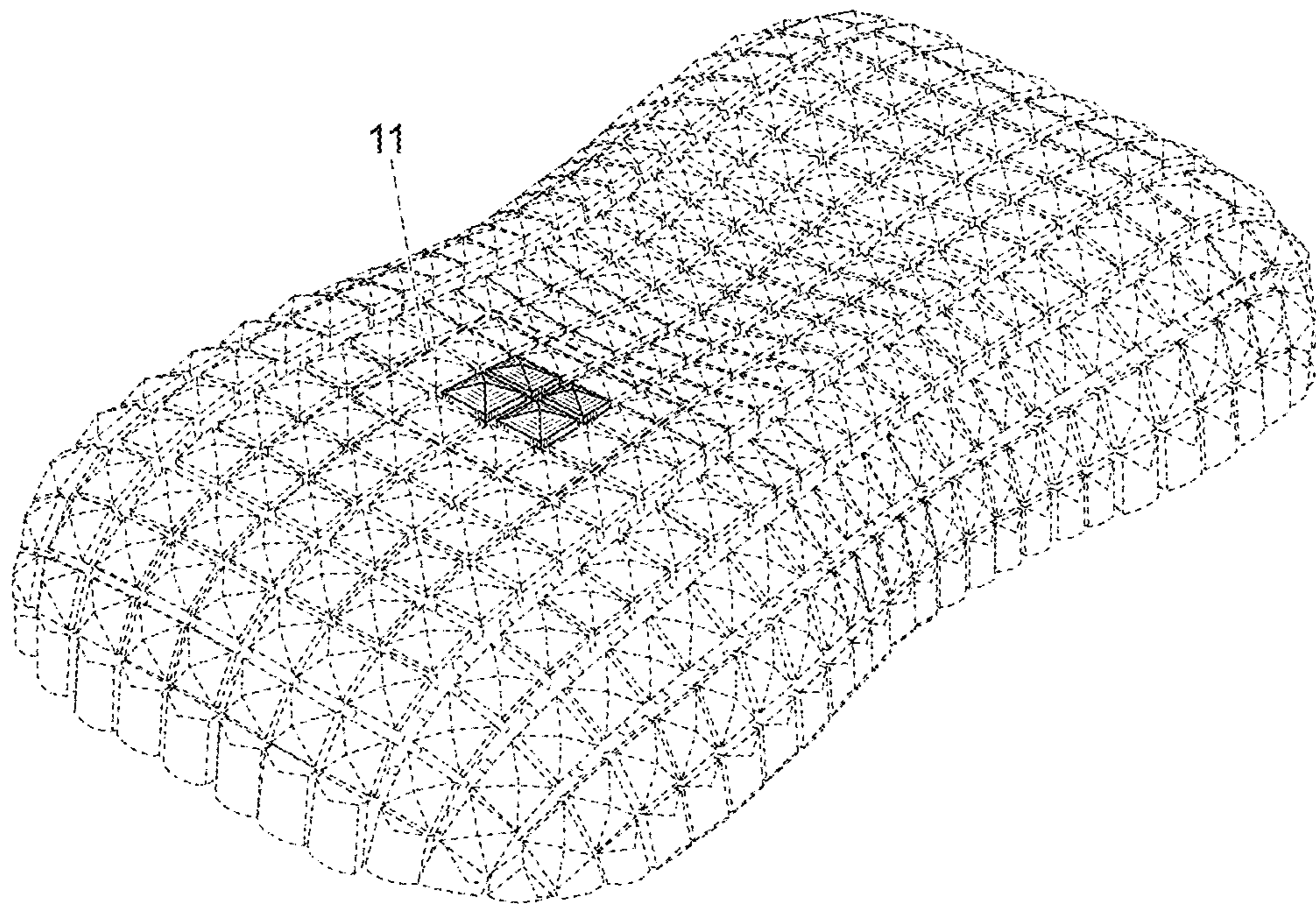
1.5



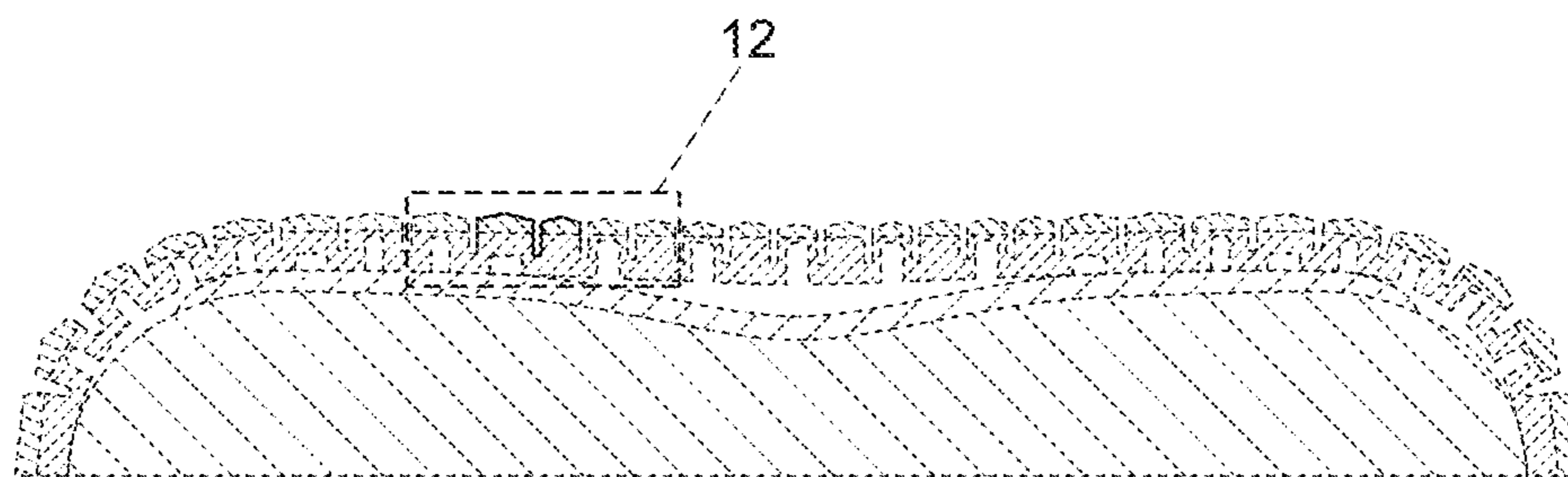
1.6



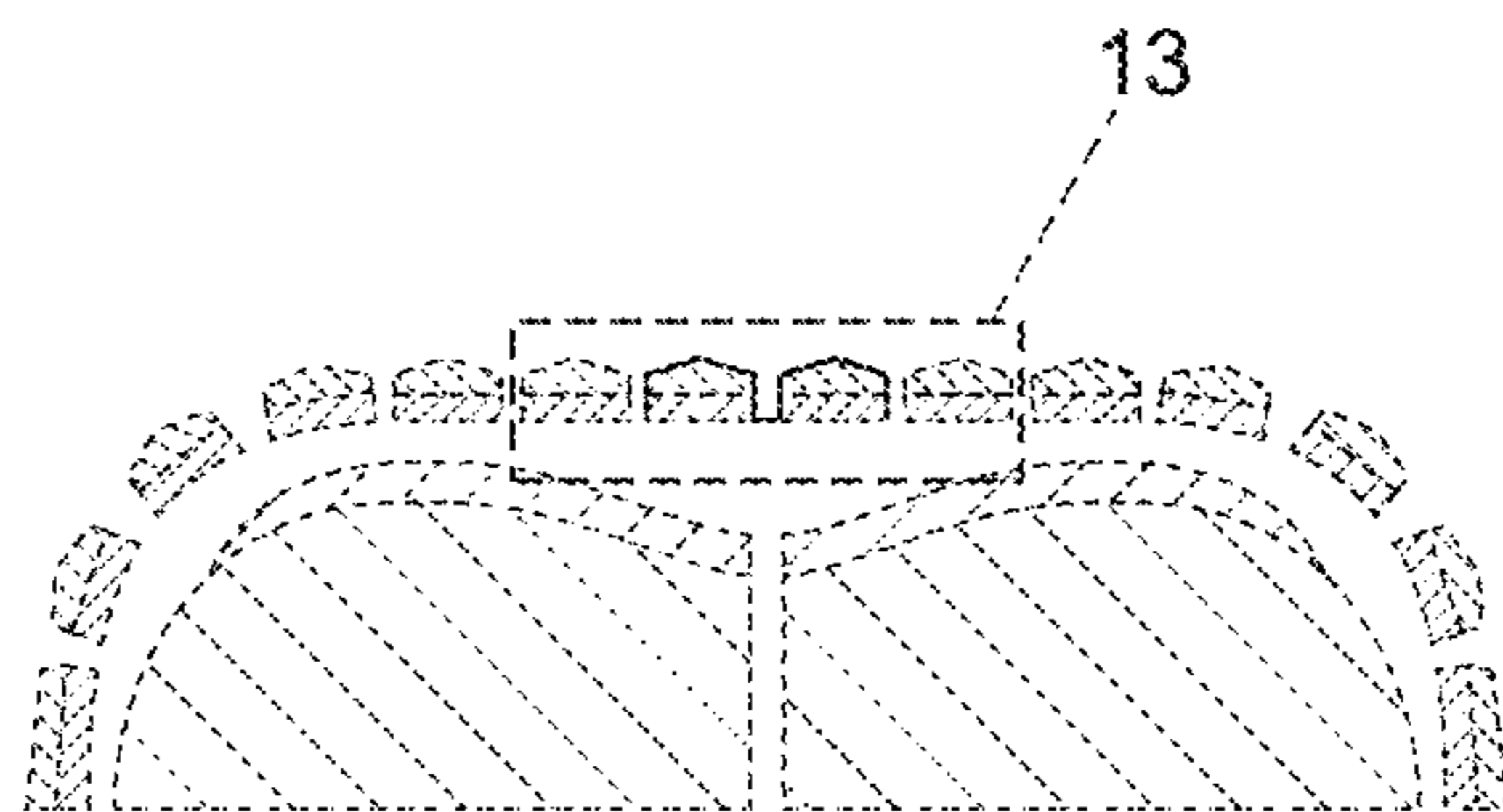
1.7



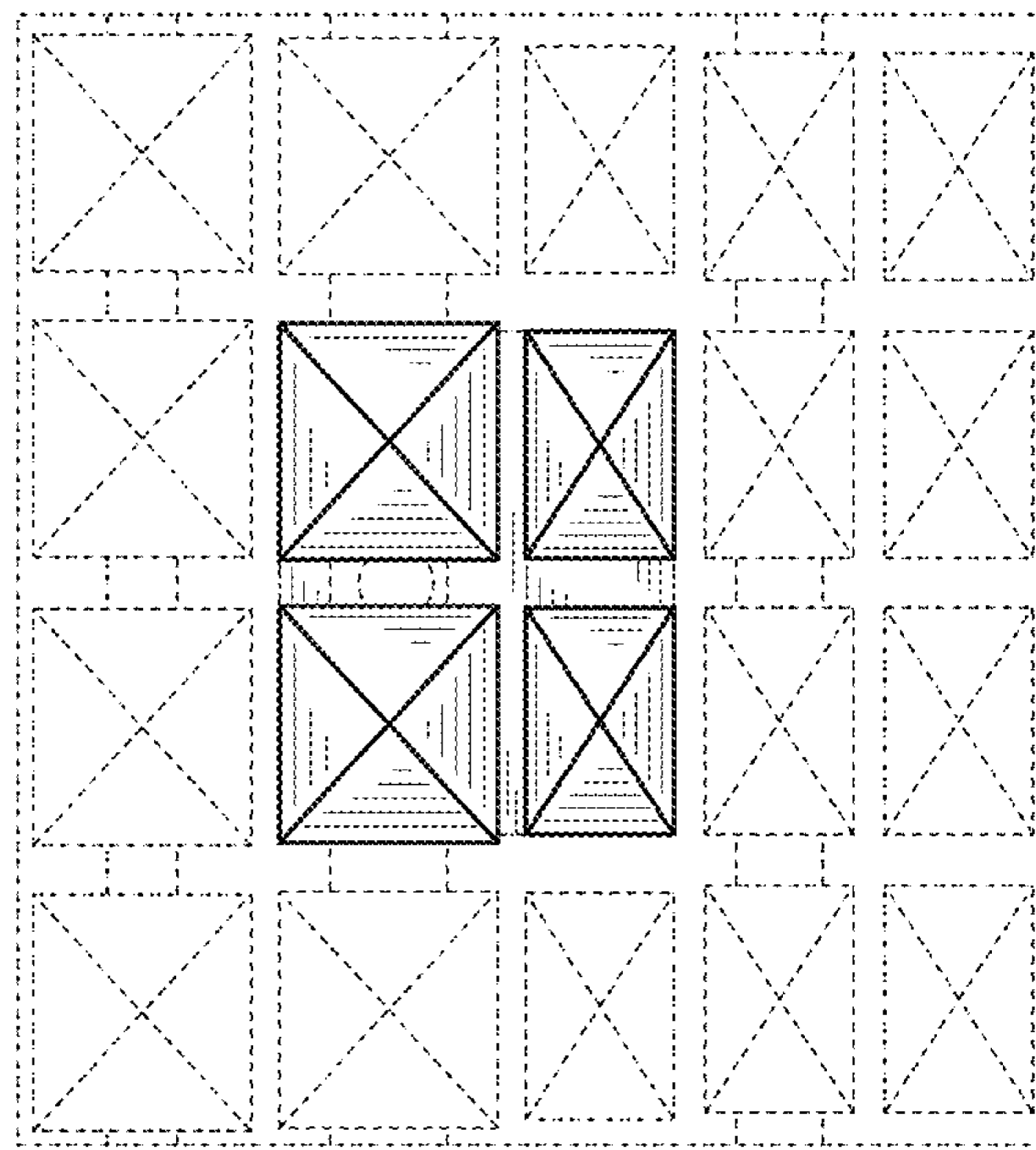
1.8



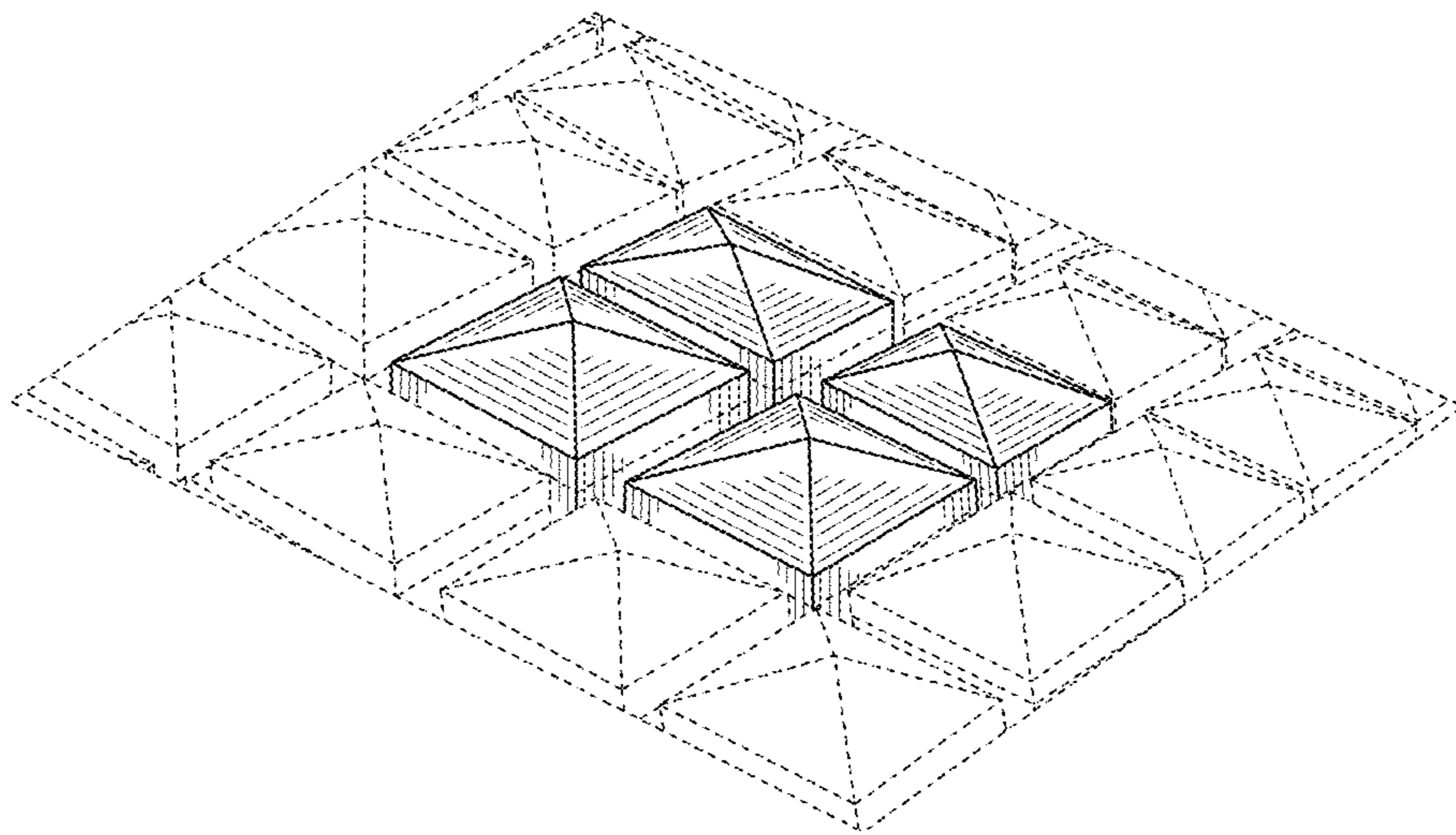
1.9



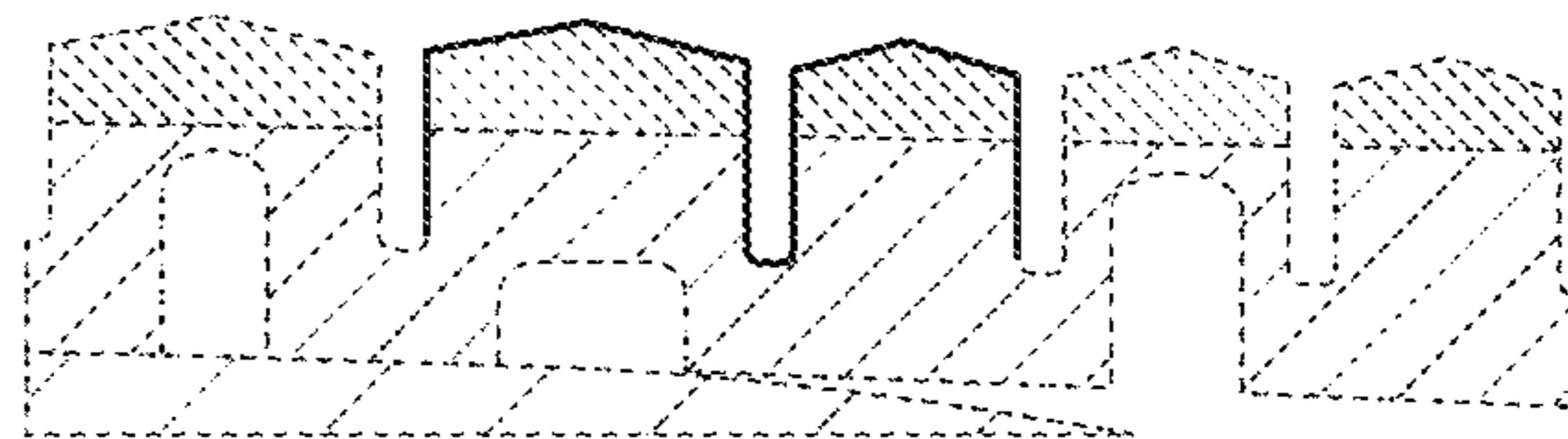
1.10



1.11



1.12



1.13

