



US00D979984S

(12) **United States Design Patent**
Shi

(10) **Patent No.:** **US D979,984 S**
(45) **Date of Patent:** **** Mar. 7, 2023**

(54) **AIRBED**

(71) Applicant: **DONGGUAN HONGYU PLASTIC CO., LTD.**, Dongguan (CN)

(72) Inventor: **Juying Shi**, Dongguan (CN)

(73) Assignee: **Dongguan Hongyu Plastic Co., Ltd**

(**) Term: **15 Years**

(21) Appl. No.: **29/826,138**

(22) Filed: **Feb. 9, 2022**

(30) **Foreign Application Priority Data**

Oct. 13, 2021 (CN) 202130670009.4

(51) **LOC (14) Cl.** **16-05**

(52) **U.S. Cl.**
USPC **D6/604**

(58) **Field of Classification Search**
USPC D6/388, 390, 595-601, 604, 606;
D24/183, 184, 190; D21/803, 804, 805,
D21/809
CPC A47G 9/10; A47G 9/1009; A47G 9/1018;
A47G 9/1027; A47G 9/1036; A47G
9/1045; A47G 9/1063; A47G 9/1072;
A47G 9/1081; A47G 9/109; A47G
9/0253; A47G 9/1054

See application file for complete search history.

(56) **References Cited**

U.S. PATENT DOCUMENTS

1,579,104 A * 3/1926 Granovsky A47C 31/026
5/239
4,930,174 A * 6/1990 Hunter A47C 27/081
417/479
D455,928 S * 4/2002 Fisher D6/605
6,568,011 B2 * 5/2003 Fisher A47C 27/087
5/711
7,089,618 B1 * 8/2006 Metzger A47C 27/087
5/709

(Continued)

FOREIGN PATENT DOCUMENTS

CN 304320117 * 10/2017
CN 304581741 * 4/2018

(Continued)

OTHER PUBLICATIONS

The Best Inflatable Bed, product availability unknown [online], no video/picture review [online], [site visited Jul. 26, 2022]:URL:<https://www.hammacher.com/product/best-inflatable-bed-queen> (Year: 2022).*

Insta-Bed Raised Air Mattress, product availability Oct. 7, 2021 [online], no video/picture review [online], [site visited Jul. 26, 2022]:URL:<https://www.amazon.com/gp/product/B09HYND86P/ref=sw_img_1?smid=A1DXN92KCKEQV4&psc=1> (Year: 2021).*

Serta Raised 18 Inch Queen Air Mattress, product availability Feb. 23, 2022 [online], no video/picture review [online], [site visited Jul. 26, 2022]:URL:<https://www.amazon.com/gp/product/B09T82K8TR/ref=sw_img_1?smid=A3ATJJQVT5T01J&psc=1> (Year: 2022).*
EnerPlex; 18" High Queen Size Air Mattress with Built-in Pump; https://www.enerplex.com/products/enerplex-double-high-queen-air-bed; downloaded Jan. 21, 2022.

(Continued)

Primary Examiner — Bao-Yen T Nguyen

Assistant Examiner — Loryn K. LeBlanc

(74) *Attorney, Agent, or Firm* — Conley Rose, P.C.

(57) **CLAIM**

The ornamental design for an airbed, as shown and described.

DESCRIPTION

FIG. 1 is a right, front and top perspective view of an airbed in accordance with my new design;

FIG. 2 is a left, rear and bottom perspective view of the airbed of FIG. 1;

FIG. 3 is a top plan view of the airbed of FIG. 1;

FIG. 4 is a bottom plan view of the airbed of FIG. 1;

FIG. 5 is a right side view of the airbed of FIG. 1;

FIG. 6 is a left side view of the airbed of FIG. 1;

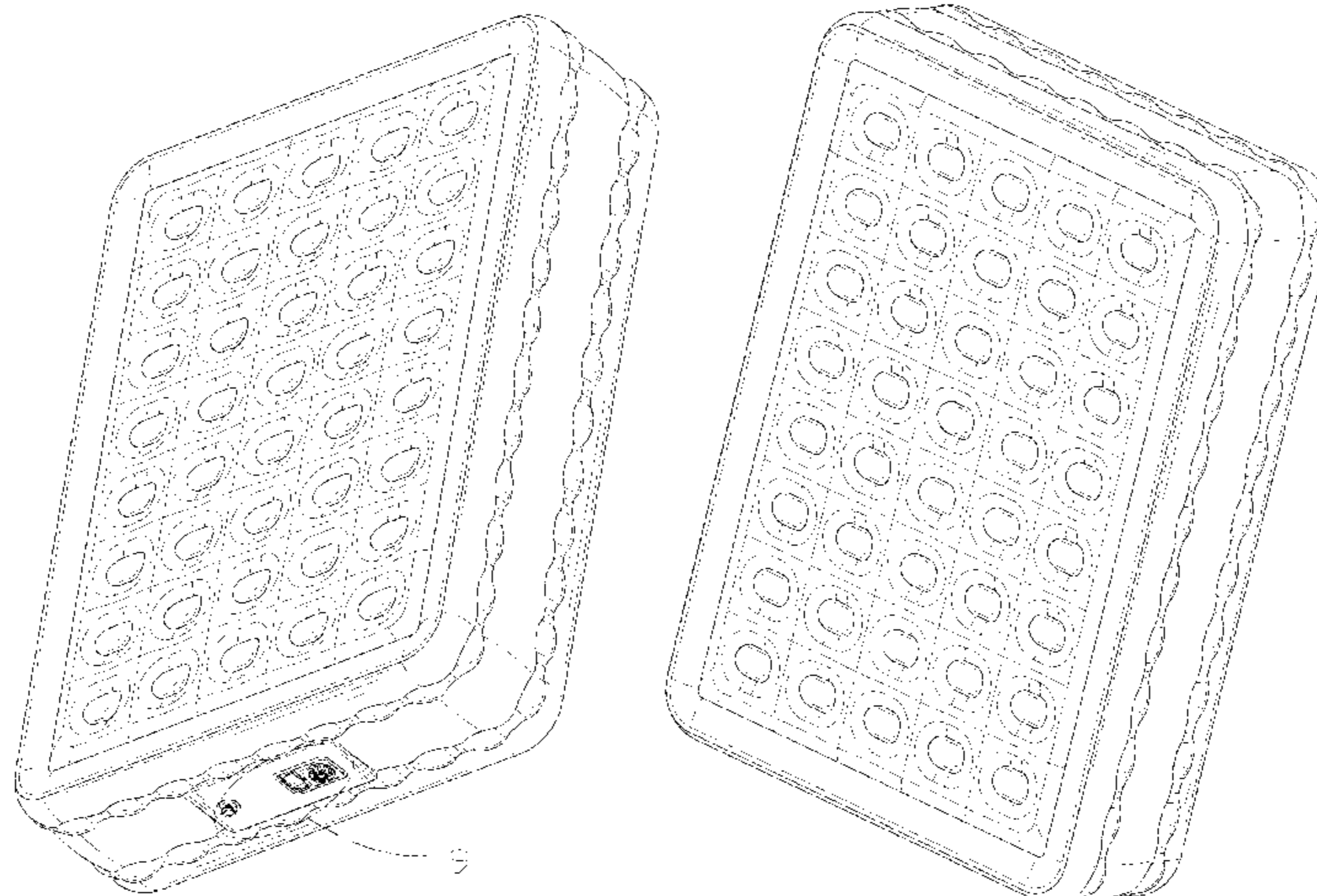
FIG. 7 is a front view of the airbed of FIG. 1;

FIG. 8 is a rear view of the airbed of FIG. 1; and,

FIG. 9 is an enlarged front view of detail 9 from FIG. 1.

The broken lines shown in the figures are for the purposes of depicting areas of enlargement and form no part of the claimed design.

1 Claim, 9 Drawing Sheets



(56)

References Cited

U.S. PATENT DOCUMENTS

7,337,485 B2 3/2008 Metzger
 7,353,555 B2 4/2008 Lau
 D765,443 S 9/2016 Lin et al.
 D810,589 S 2/2018 Lin et al.
 D849,451 S * 5/2019 Liu D6/604
 10,398,235 B2 9/2019 Lin et al.
 D884,389 S * 5/2020 Modeste D6/604
 D894,637 S 9/2020 Jiang
 D910,338 S 2/2021 Zhang
 10,945,533 B1 * 3/2021 Shi A47C 27/081
 D922,098 S * 6/2021 Wang D6/604
 11,045,012 B2 6/2021 Ocegueda Gallaga et al.
 2002/0083528 A1 * 7/2002 Fisher A47C 27/081
 5/710
 2006/0265810 A1 * 11/2006 Wu A47C 27/081
 5/712
 2007/0028389 A1 * 2/2007 Wu A47C 27/10
 5/691
 2007/0169272 A1 * 7/2007 Wu A47C 27/081
 5/713
 2008/0000030 A1 * 1/2008 Wang A47C 27/087
 5/713
 2012/0311784 A1 * 12/2012 Yoon A47C 21/048
 5/423
 2017/0196368 A1 * 7/2017 Liu A47C 27/16
 2021/0169232 A1 * 6/2021 Hou A47C 27/087

FOREIGN PATENT DOCUMENTS

CN 305061962 * 3/2019
 CN 305676158 * 4/2020
 CN 306867056 * 10/2021
 CN 307306547 * 5/2022
 EP 2764799 B1 8/2019

GB 6174402 * 11/2021
 GB 6208789 * 5/2022
 GB 6208790 * 5/2022

OTHER PUBLICATIONS

Amazon.com: EZ Inflate Queen Air Mattress with Built-in Dual Pump for Easy Inflation/Quick Set Up—Inflatable Air Bed for Camping, Home & Travel—Double . . . ; <https://www.amazon.com/stores/page/153CFD29-25C0-4DC8-9877-CFD83044A03C?ingress=2&visitId=fb33884e-89a4-43b4-ae56-b46e77ae7ea1&r...> ; downloaded Jan. 21, 2022.
 Amazon.com: House Day Queen Air Mattress with Built—Raised Electric Airbed with Built in Pump Fast Inflation Garry Bag High . . . ; <https://www.amazon.com/dp/B088BKS2G7/?tag=cb-010030-20&th=1>; downloaded Jan. 21, 2022.
 Amazon.com: iDOO Air Mattress, Inflatable Airbed with Built-in Pump, 3 Mins Quick Self-Inflation/Deflation, Comfortable Top Surface Blow Up Bed for Home Portable Camping Travel, 75×39×18in, 550 lb Max (Twin); https://www.amazon.com/iDOO-Inflatable-Self-Inflation-Comfortable-75x39x18in/dp/B092VPBL1Y/ref=sr_1_3?keywords=idoo+air+mattress+with+bui... downloaded Jan. 25, 2022.
 Amazon.com: King Koil Queen Air Mattress with Built-in Pump—Best Inflatable Airbed Queen Size—Elevated Raised Air Mattress . . . ; <https://www.amazon.com/dp/B06XWG7H3S/?tag=cb-010030-20&th=1>; downloaded Jan. 21, 2022.
 Don't Waste Your Money: Air Mattress Reviews, Oct. 2021, EnerPlex Never-Leak Raised Blow Up Mattress; <https://www.dontwasteyourmoney.com/products/enerplex-never-leak-raised-blow-up-mattress/>; downloaded Jan. 21, 2022.
 SoundAsleep Dream Series Air Mattress with ComfortCoil Technology & In—Sound Asleep Products; <https://soundasleepproducts.com/products/dreamseries-queen>; downloaded Jan. 21, 2022.

* cited by examiner

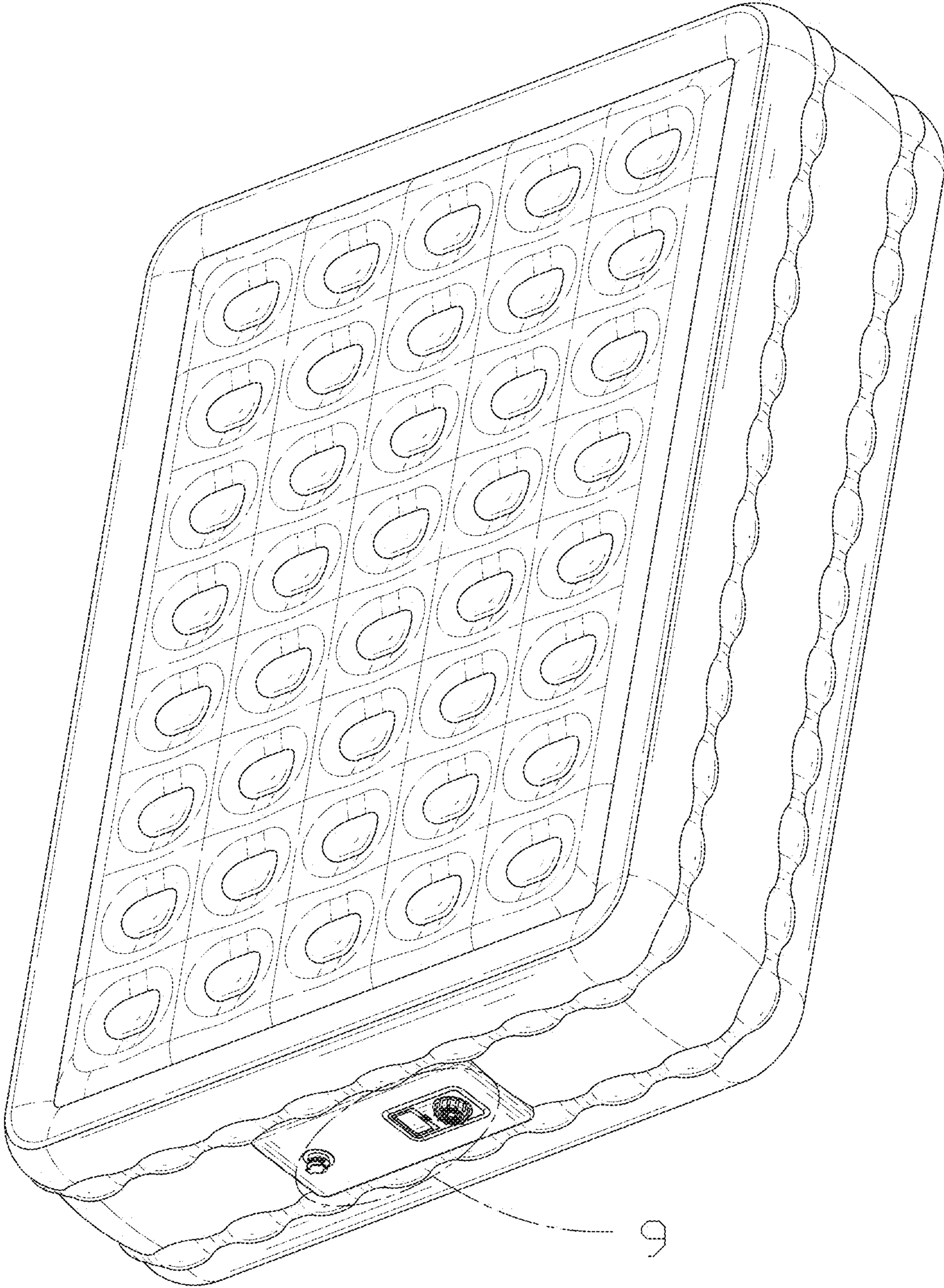


FIG. 1

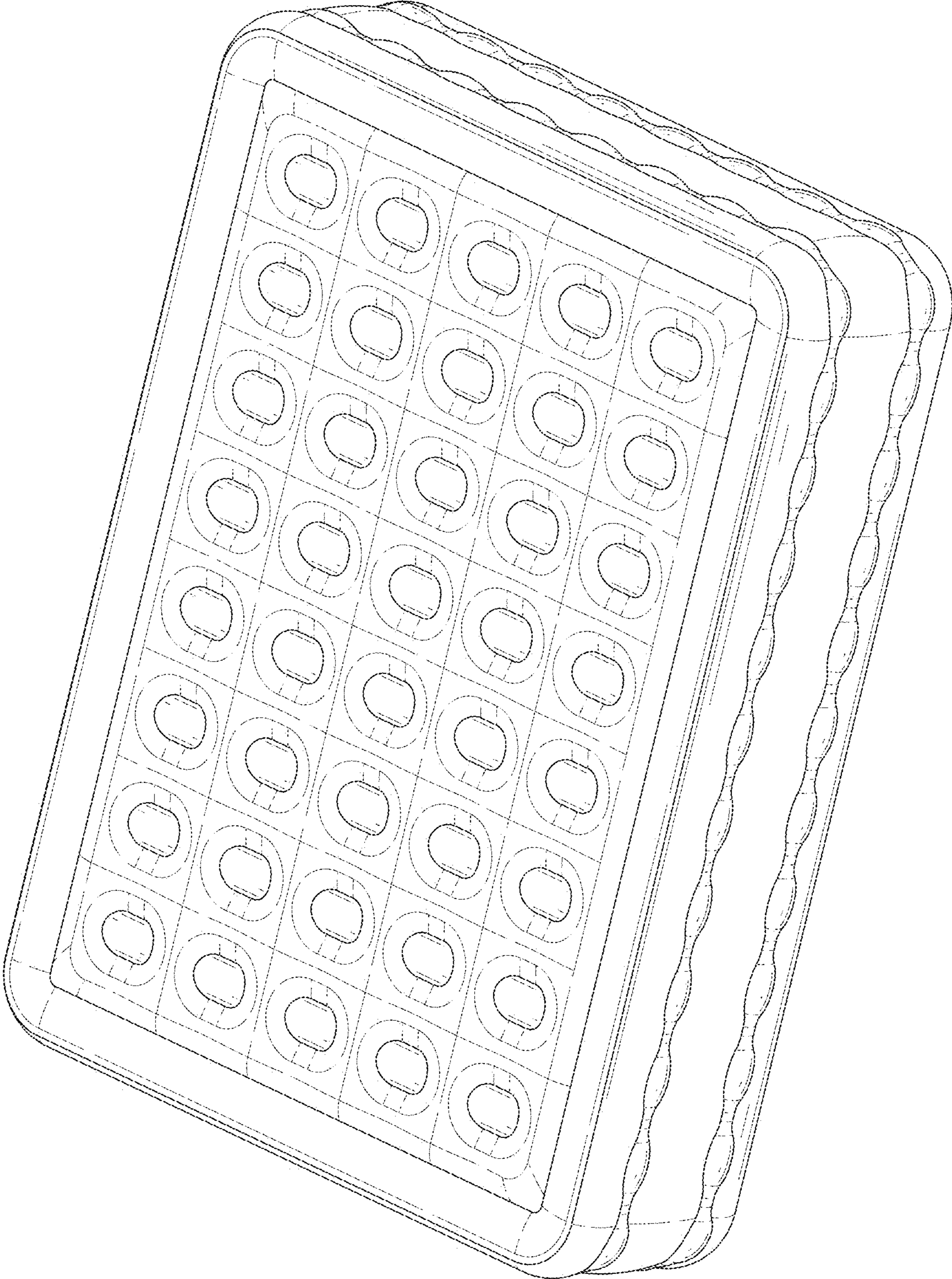


FIG. 2

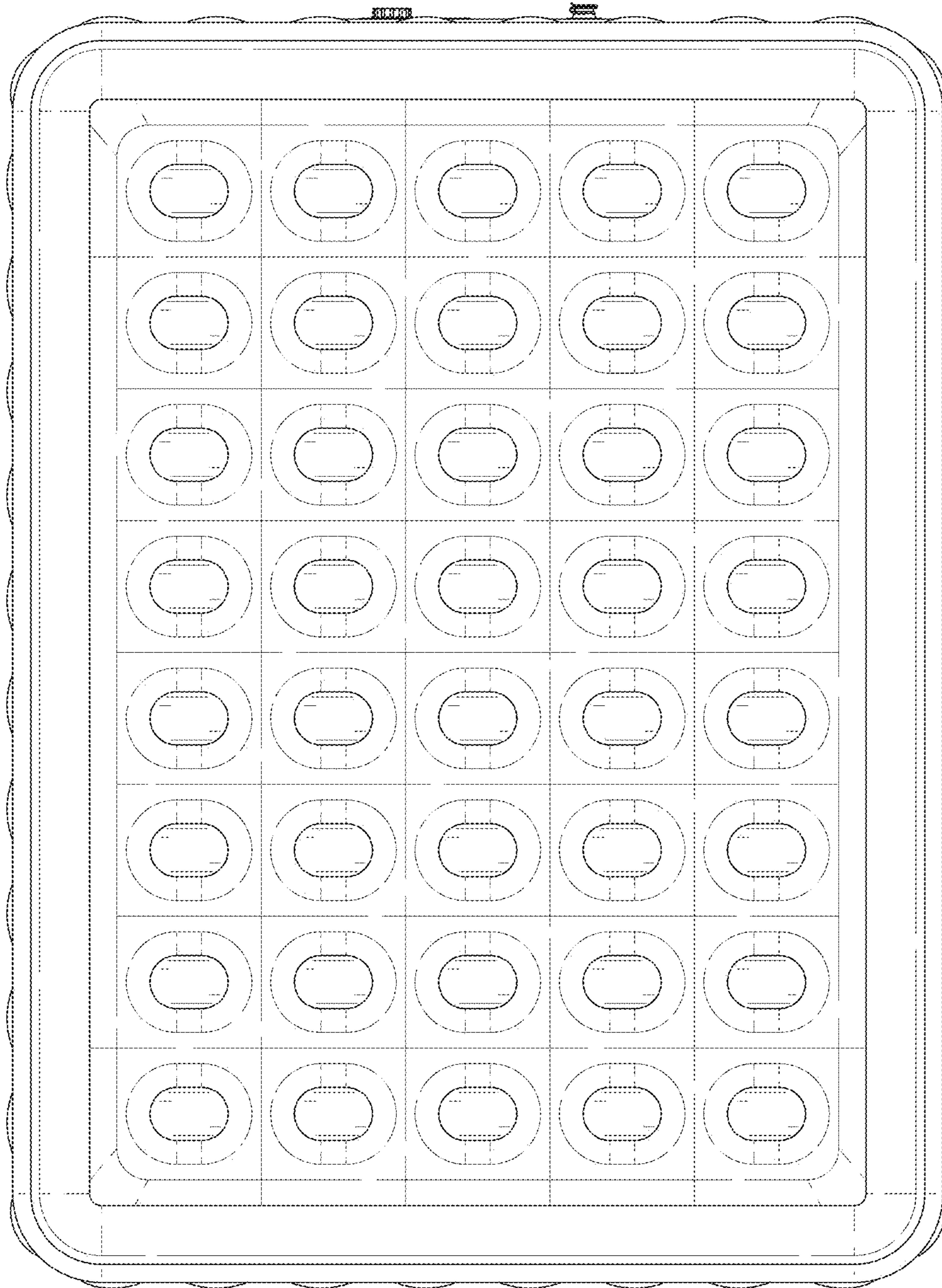


FIG. 3

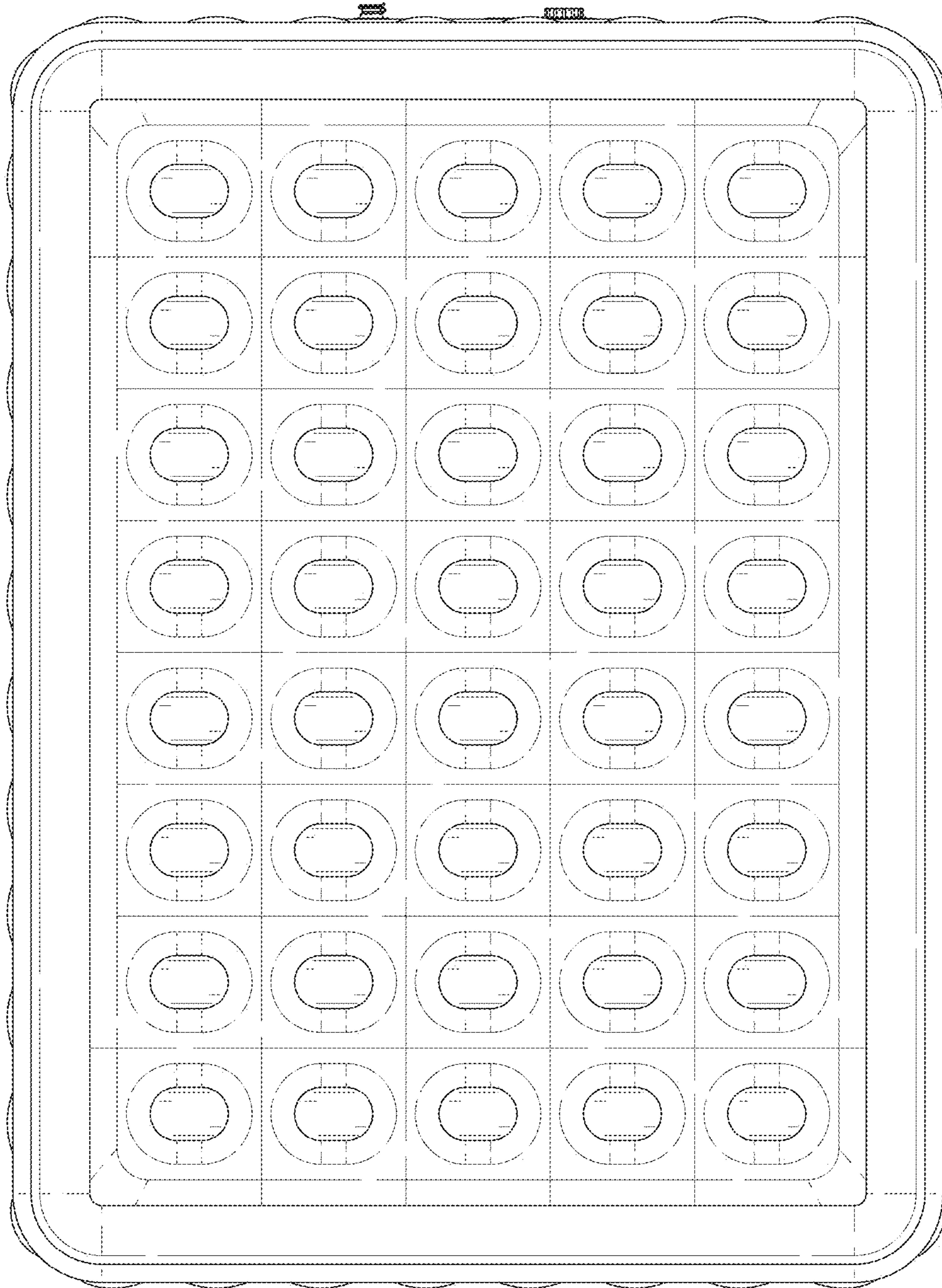


FIG. 4

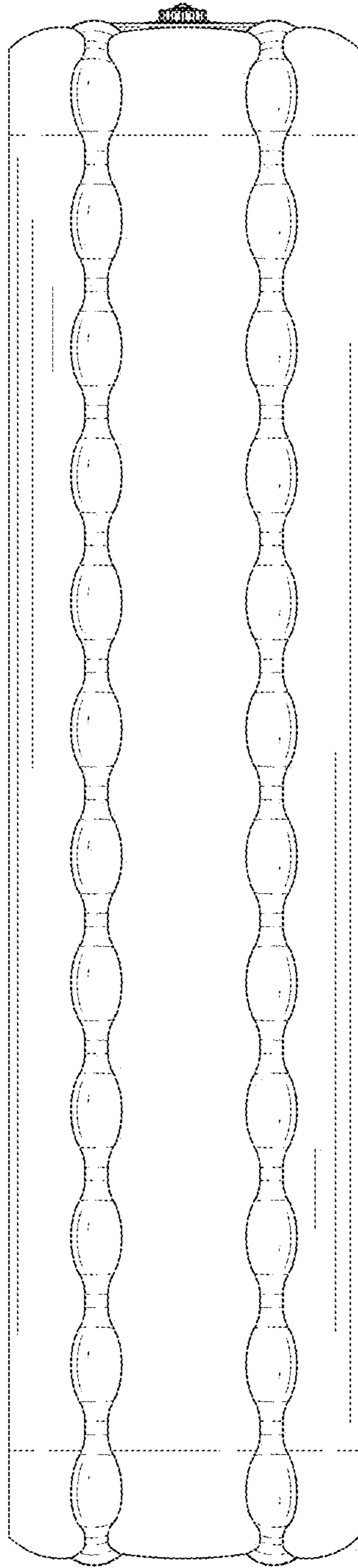


FIG. 5

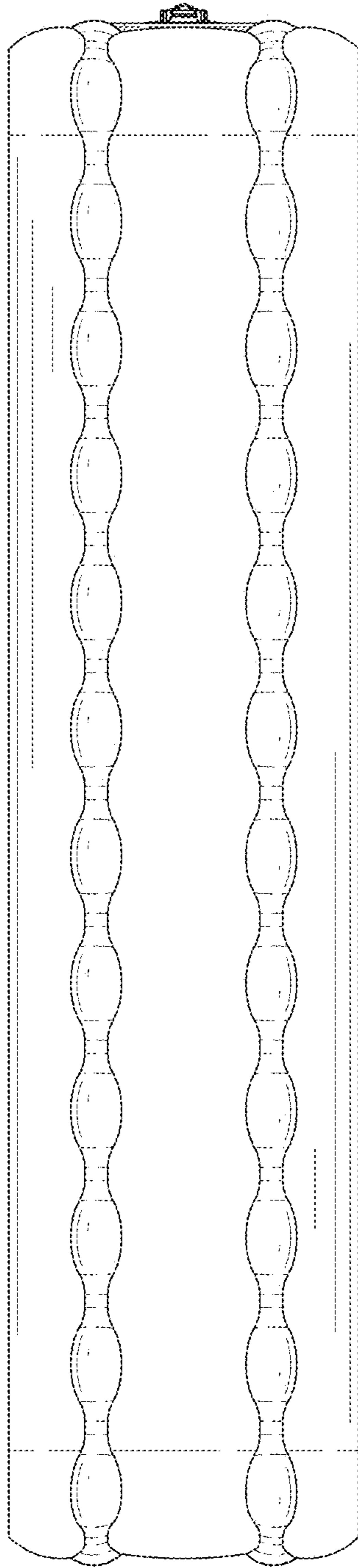


FIG. 6

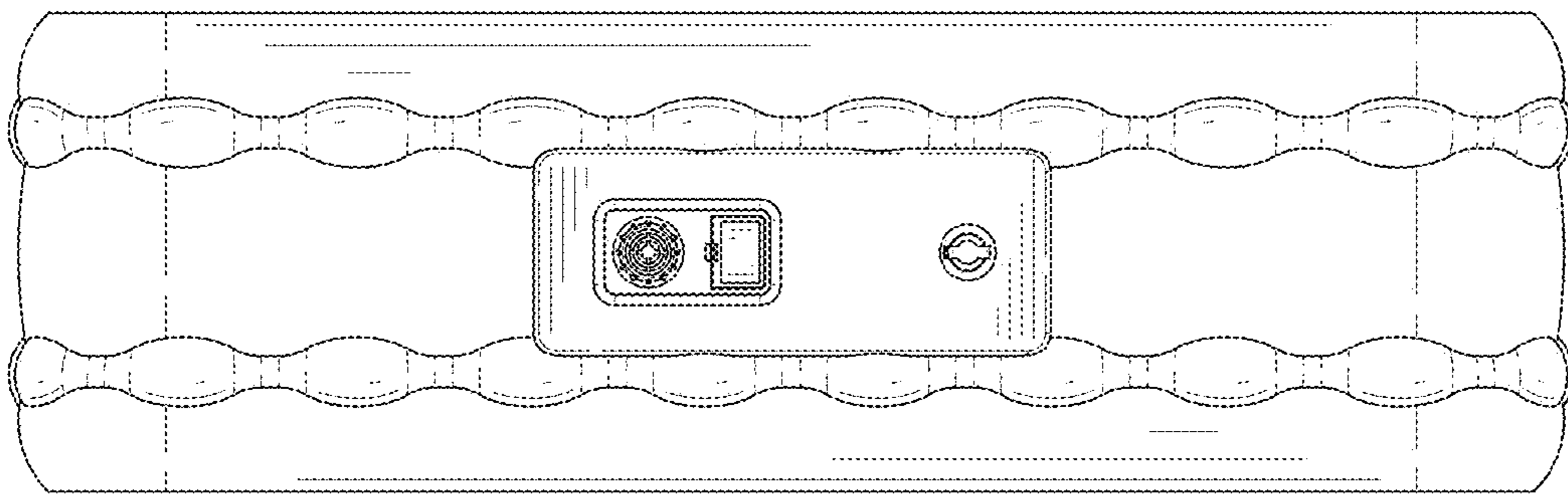


FIG. 7

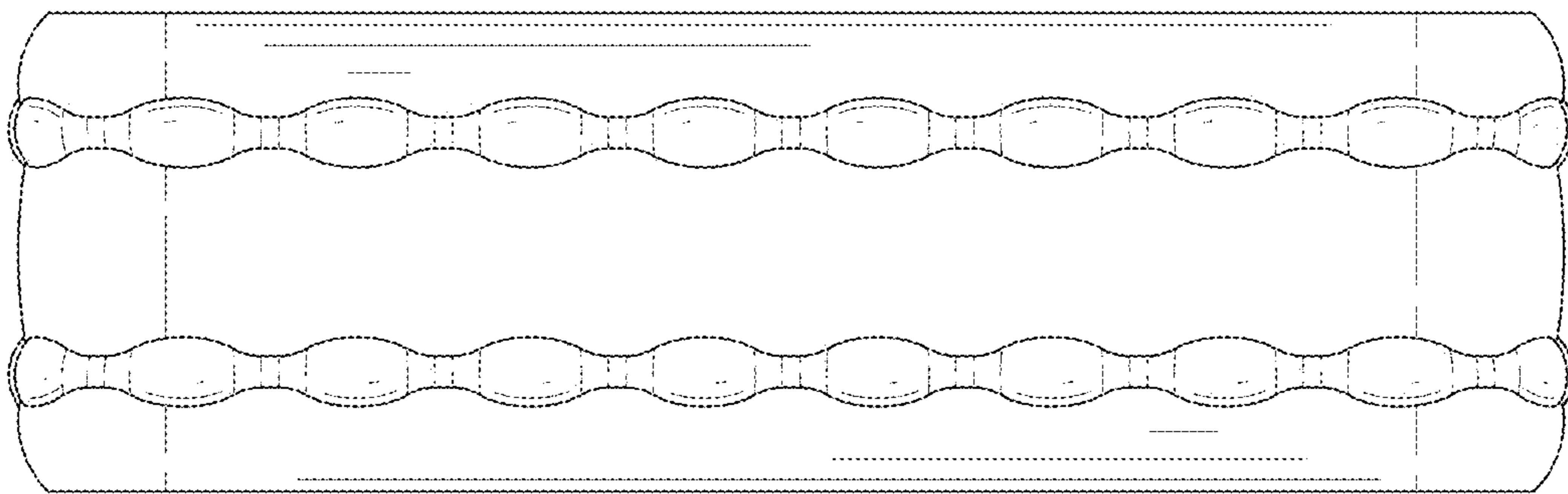


FIG. 8

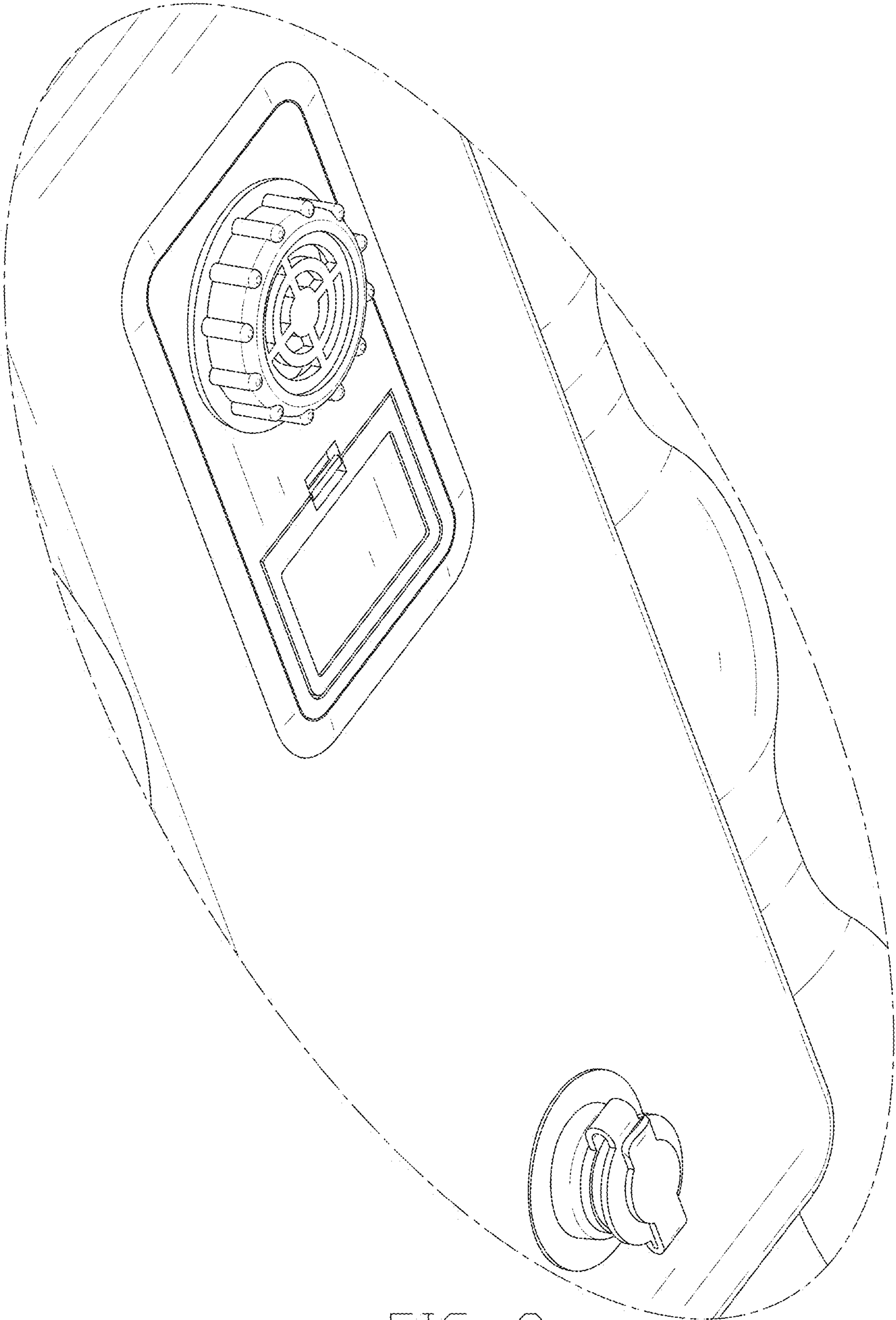


FIG. 9