



US00D979980S

(12) **United States Design Patent**
Wei

(10) **Patent No.:** **US D979,980 S**
(45) **Date of Patent:** **** Mar. 7, 2023**

- (54) **BATH TOWEL BASKET**
- (71) Applicant: **Guangzhou Keyike Household Commodities Co., Ltd.**, Guangzhou (CN)
- (72) Inventor: **Liyun Wei**, Guangzhou (CN)
- (73) Assignee: **Guangzhou Keyike Household Commodities Co., Ltd.**, Guangzhou (CN)

D563,708 S *	3/2008	Snell	D6/566
D584,056 S *	1/2009	Ghiorghie	D6/513
D588,814 S *	3/2009	Ghiorghie	D6/513
D616,680 S *	6/2010	Snider	D6/513
D617,126 S *	6/2010	Snider	D6/513
D628,385 S *	12/2010	Klein	D6/513
D632,081 S *	2/2011	Klein	D3/306
D650,209 S *	12/2011	Snider	D6/513
D701,397 S *	3/2014	Snider	D6/566
D705,565 S *	5/2014	Schraufnagel	D6/513
D717,070 S *	11/2014	Callif	D6/567

(Continued)

- (**) Term: **15 Years**
- (21) Appl. No.: **29/851,895**
- (22) Filed: **Sep. 1, 2022**
- (51) **LOC (14) Cl.** **06-04**
- (52) **U.S. Cl.**
USPC **D6/566; D6/546**
- (58) **Field of Classification Search**
USPC D6/566, 553, 512-514, 567, 569, 572, D6/546; 211/10, 11, 42, 45, 50, 88.01, 211/126.1, 13.1, 70.6, 70.7, 32, 35, 85.9, 211/54.1, 59.1, 66, 86.01, 56; D19/75-80, 86, 87, 89-92; 206/215, 425, 206/556, 557; 248/200, 205.1, 235, 301, 248/304, 309.1, 309.2
CPC B65D 11/38; B65D 85/8043; A47J 47/18; A47J 45/00; A47B 17/03; A47G 29/10; A47G 29/12
See application file for complete search history.

(56) **References Cited**

U.S. PATENT DOCUMENTS

D371,484 S *	7/1996	Munoz	D6/566
D399,381 S *	10/1998	Hoernig	D6/566
D449,480 S *	10/2001	Snell	D6/525
D450,213 S *	11/2001	Snell	D6/566
D554,417 S *	11/2007	Thorsteinsson	D6/566
D554,419 S *	11/2007	Thompson	D6/566

OTHER PUBLICATIONS

Inventor's, Liyun Wei, publication on Amazon dated Jun. 11, 2022. Please refer to <https://www.amazon.com/gp/product/B0B3T77TVJ>, The declaration, Sales Authorization Certificate, Proof of Identity of Legal Representative, business license and a business license translation.

Primary Examiner — Nathan M Johnston
(74) *Attorney, Agent, or Firm* — ScienBiziP, P.C.

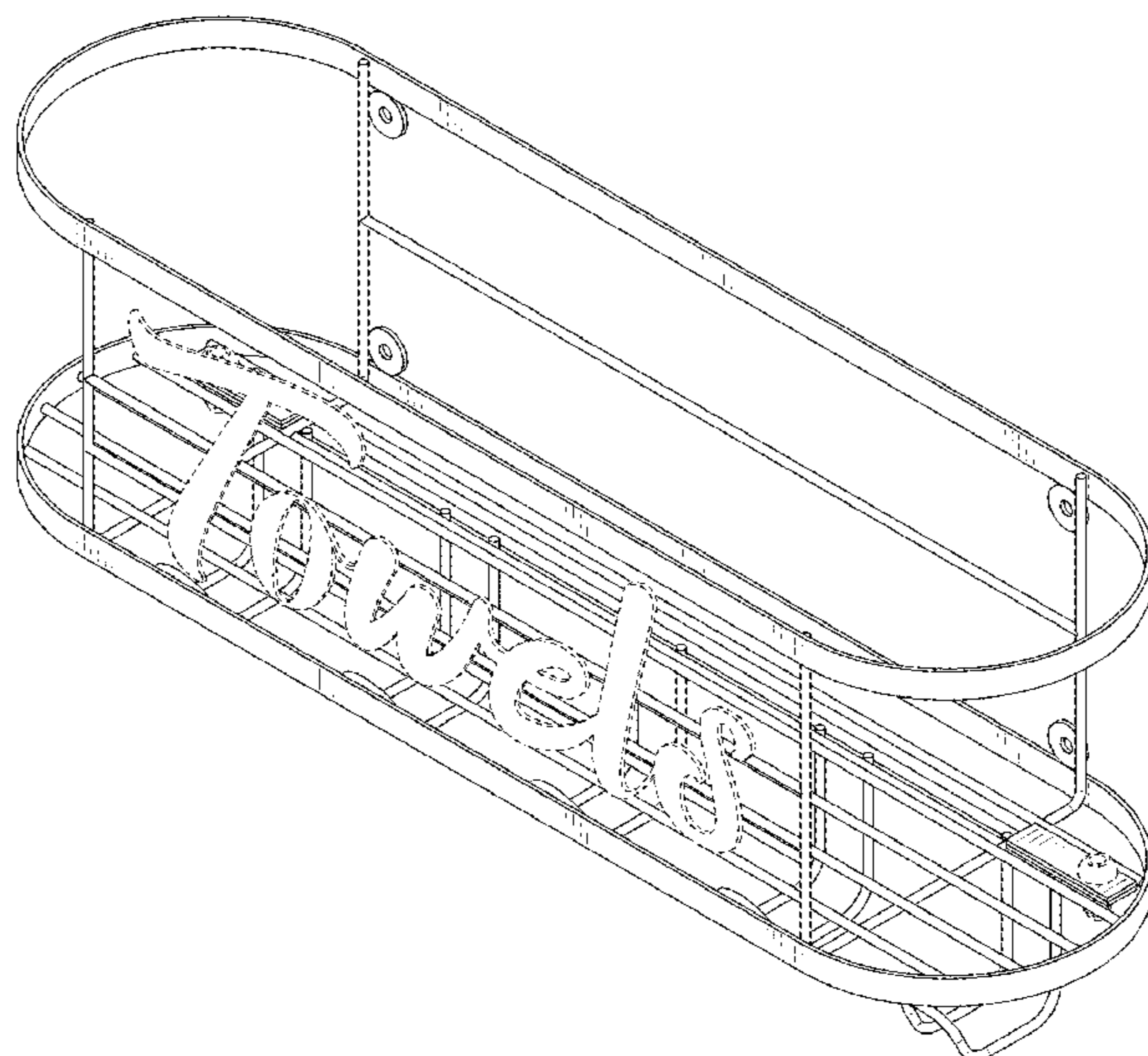
(57) **CLAIM**

The ornamental design for a bath towel basket, as shown and described.

DESCRIPTION

FIG. 1 is a front, right and top perspective view of a bath towel basket, showing my design.
FIG. 2 is a rear, left and bottom perspective view thereof.
FIG. 3 is a front elevation view thereof.
FIG. 4 is a rear elevation view thereof.
FIG. 5 is a left side elevation view thereof.
FIG. 6 is a right side elevation view thereof.
FIG. 7 is a top plan view thereof; and,
FIG. 8 is a bottom plan view thereof.
The broken lines shown in the drawings are included for the purpose of illustrating portions of the bath towel basket that form no part of the claimed design.

1 Claim, 8 Drawing Sheets



(56)

References Cited

U.S. PATENT DOCUMENTS

D757,460 S *	5/2016	Goodman	D6/566
D779,232 S *	2/2017	Pan	D6/524
D785,368 S *	5/2017	Goodman	D6/566
D786,557 S *	5/2017	Goodman	D3/306
D878,098 S *	3/2020	Goodman	D6/566
D880,896 S *	4/2020	Wilson	D6/566
D893,216 S *	8/2020	Goodman	D6/566
D917,203 S *	4/2021	Goodman	D6/566
D927,221 S *	8/2021	Tang	D6/566
D945,162 S	3/2022	Kennedy et al.	
D955,749 S	6/2022	Bjerre-Poulsen et al.	

* cited by examiner

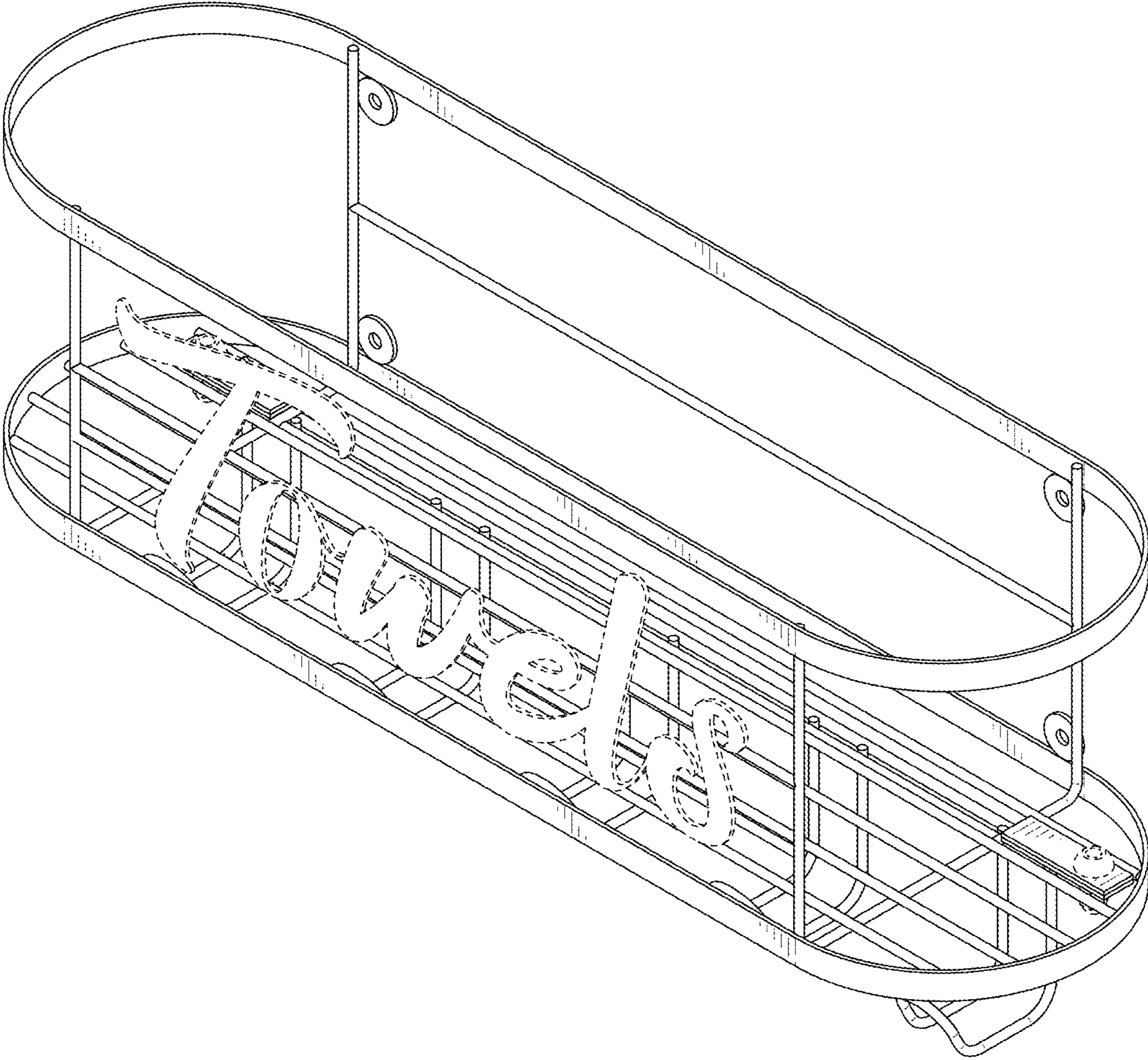


FIG. 1

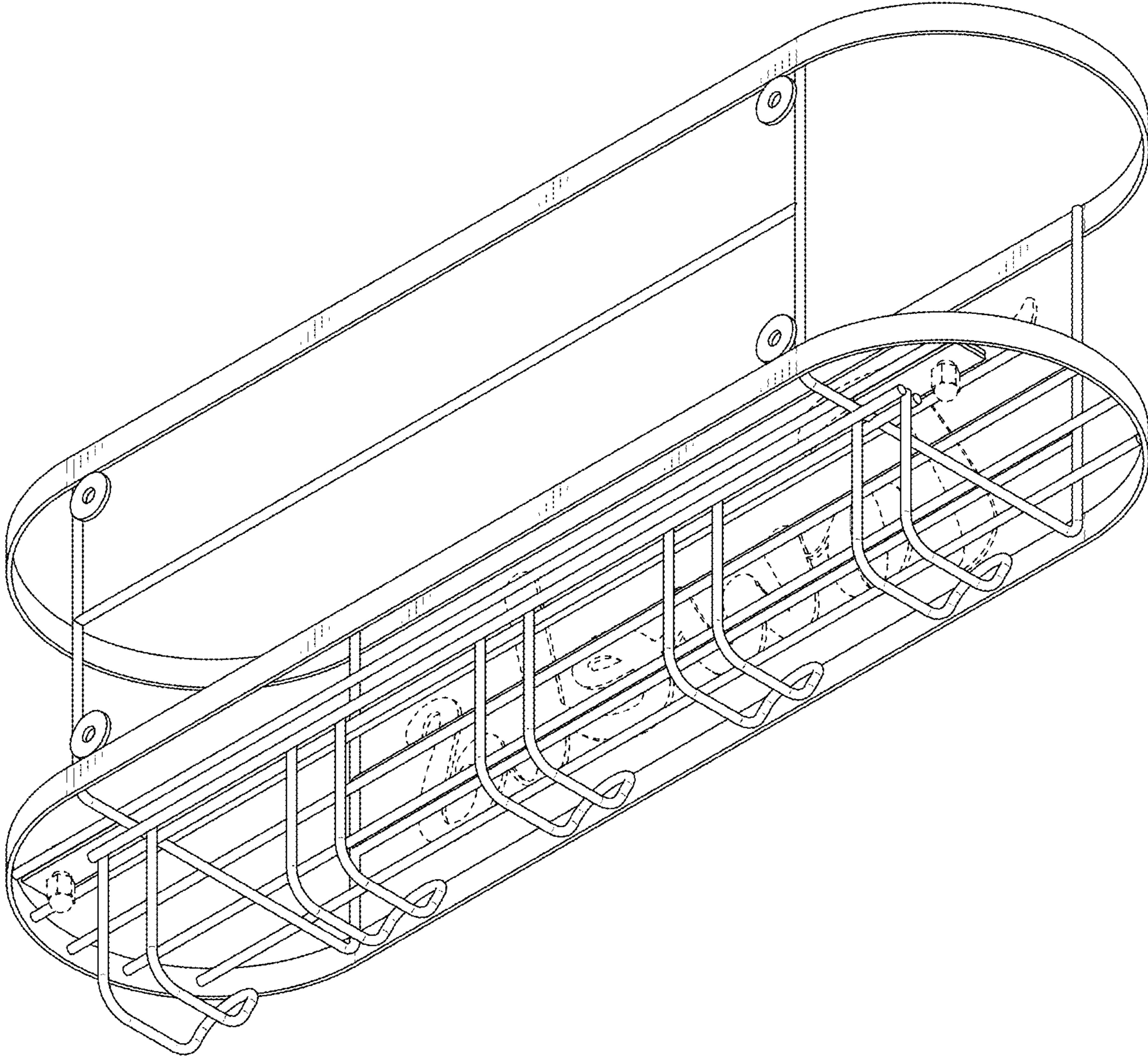


FIG. 2

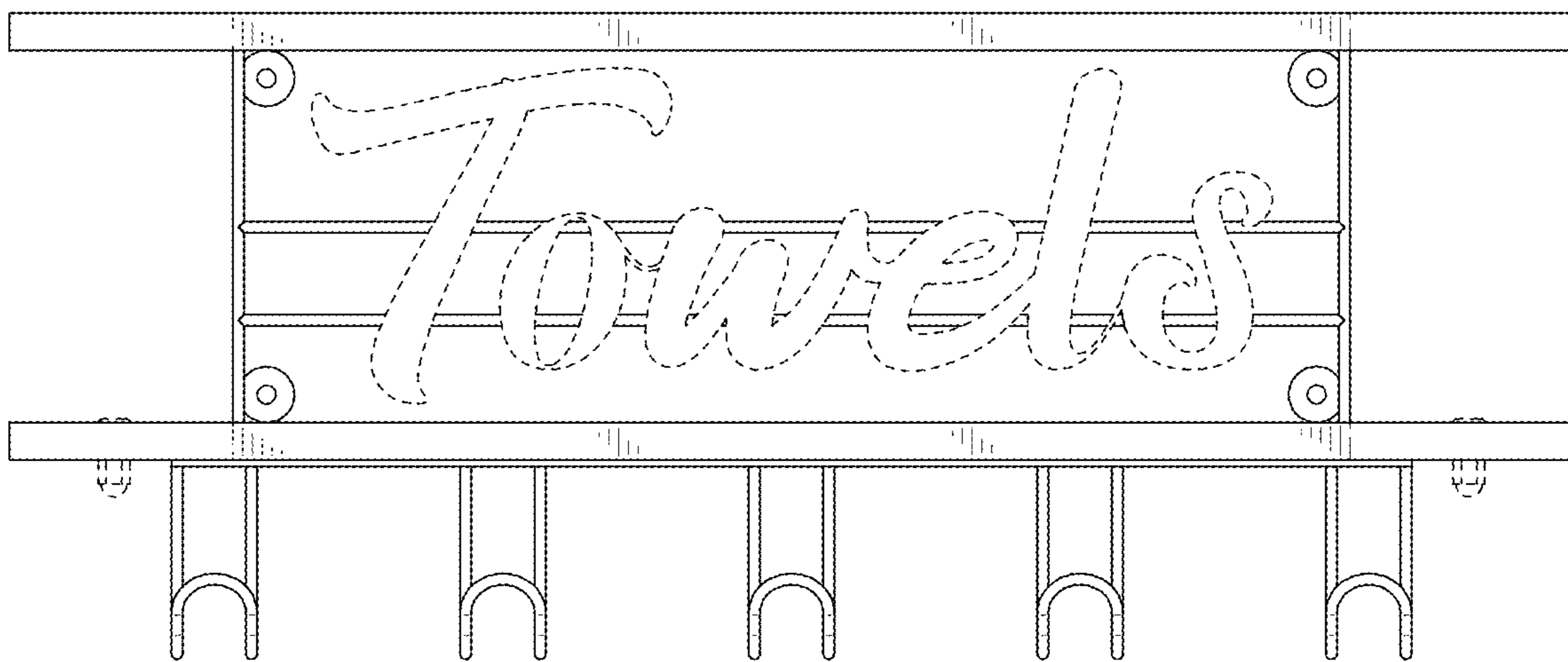


FIG. 3

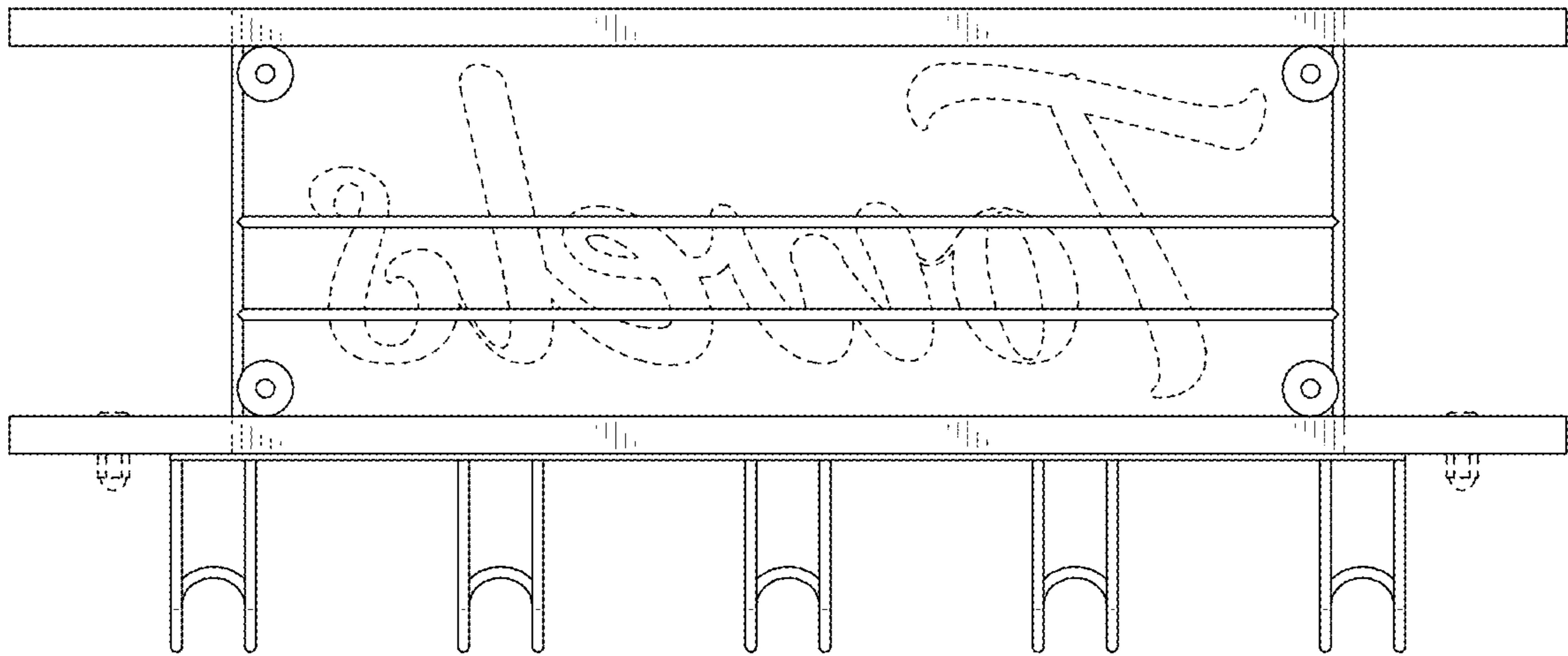


FIG. 4

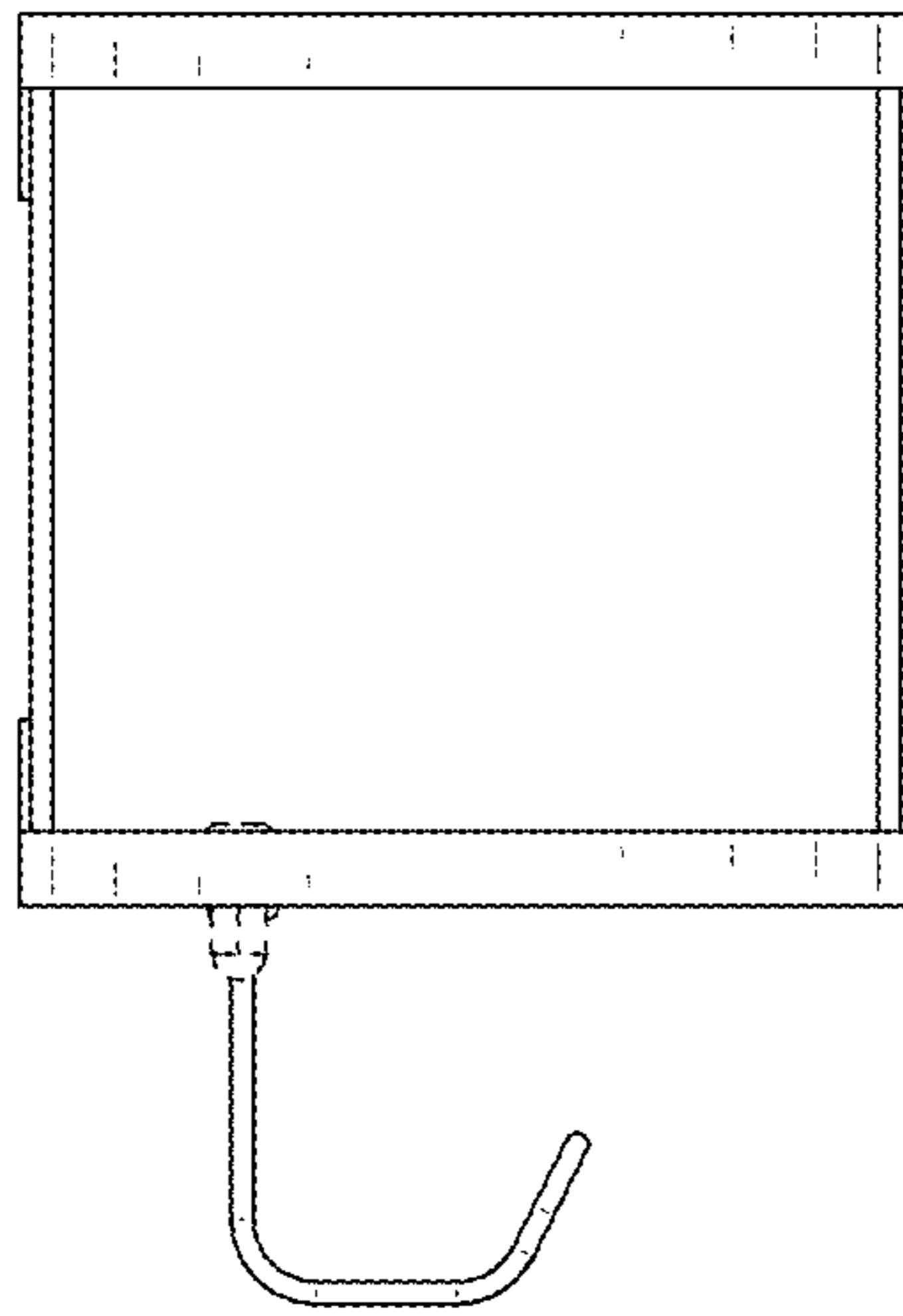


FIG. 5

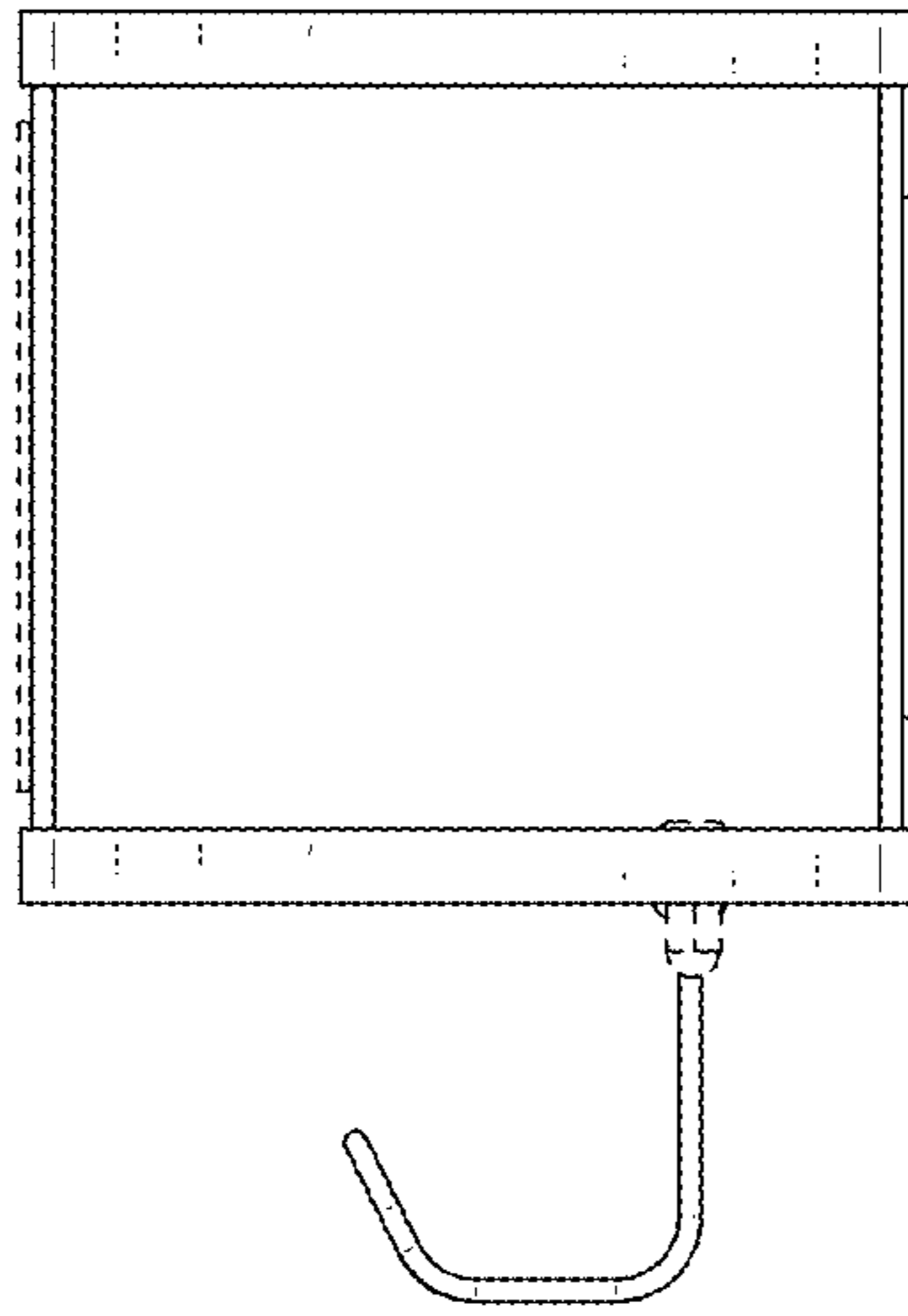


FIG. 6

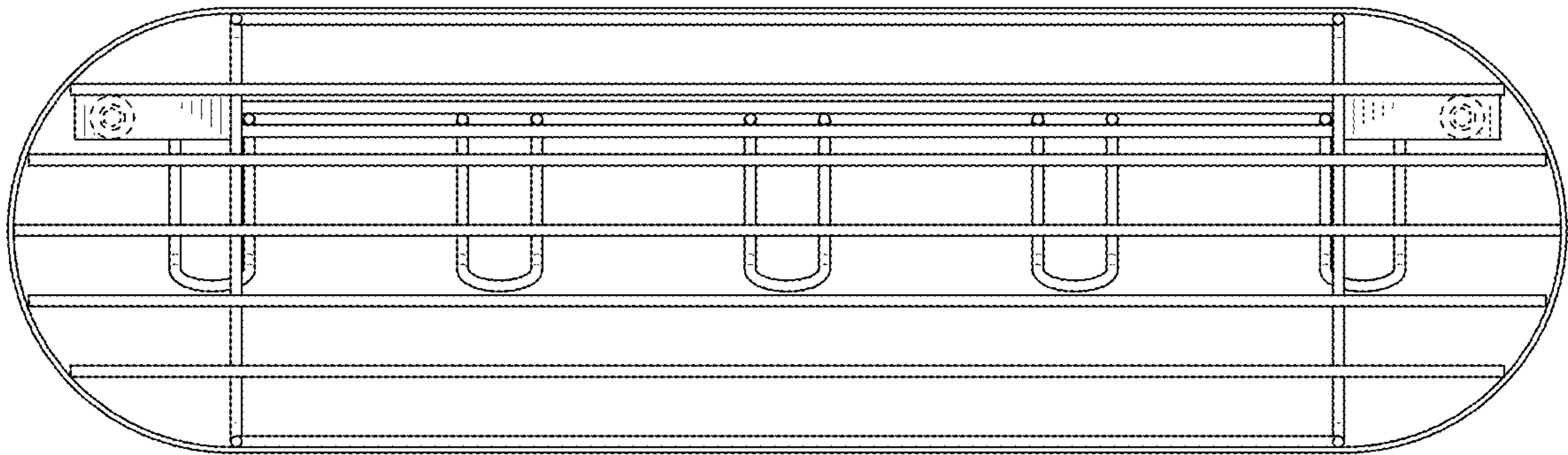


FIG. 7

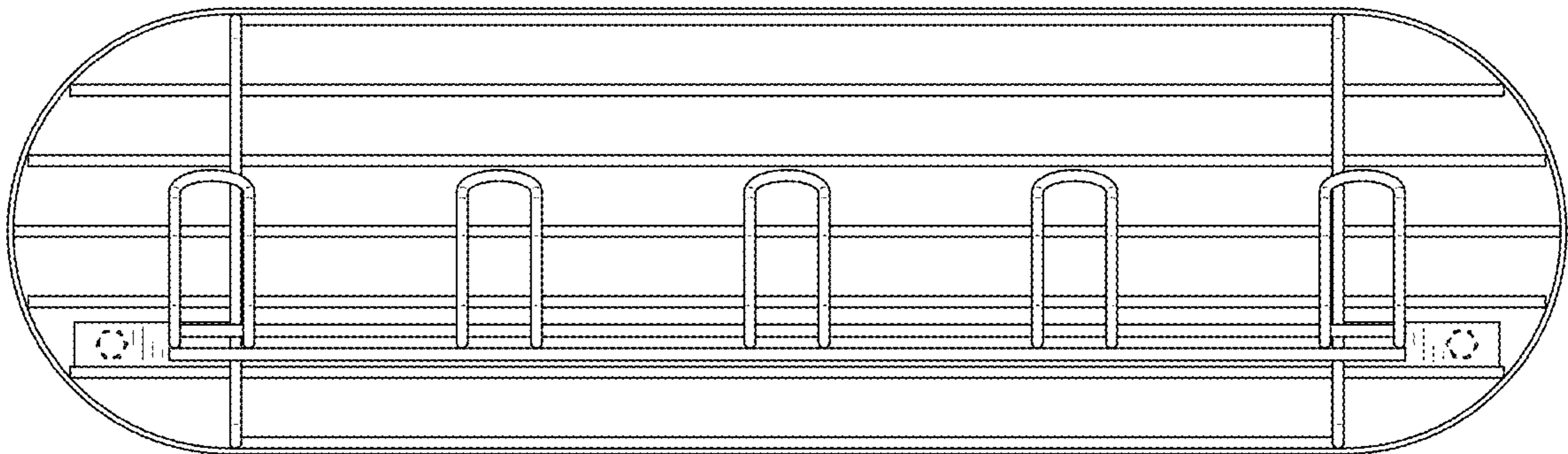


FIG. 8