



US00D979979S

(12) **United States Design Patent**  
**Dai**

(10) **Patent No.:** **US D979,979 S**  
(45) **Date of Patent:** **\*\* Mar. 7, 2023**

(54) **RACK**  
(71) Applicant: **ShenZhen YiHong Technology Co., LTD, Guangdong (CN)**  
(72) Inventor: **Yi Dai, ShenZhen (CN)**  
(73) Assignee: **ShenZhen YiHong Technology CO., LTD, ShenZhen (CN)**  
(\*\*) Term: **15 Years**

D650,175 S \* 12/2011 Lee ..... D3/306  
D698,589 S 2/2014 Troyner et al.  
D728,255 S 5/2015 Guindi et al.  
D769,022 S 10/2016 Tsai  
D770,200 S 11/2016 Garland  
D773,207 S 12/2016 Tsai  
D779,232 S \* 2/2017 Pan ..... D6/524  
D842,005 S 3/2019 Tsai  
D880,206 S 4/2020 Kee  
D917,203 S 4/2021 Goodman et al.  
D933,997 S 10/2021 Sabounjian et al.  
D935,801 S 11/2021 Wang

(Continued)

(21) Appl. No.: **29/841,586**

(22) Filed: **Jun. 7, 2022**

(51) **LOC (14) Cl.** ..... **06-04**

(52) **U.S. Cl.**  
USPC ..... **D6/566**

(58) **Field of Classification Search**  
USPC ..... D6/566, 553, 512-514, 567, 569, 572, D6/546; 211/10, 11, 42, 45, 50, 88.01, 211/126.1, 13.1, 70.6, 70.7, 32, 35, 85.9, 211/54.1, 59.1, 66, 86.01, 56; D19/75-80, 86, 87, 89-92; 206/215, 425, 206/556, 557; 248/200, 205.1, 235, 301, 248/304, 309.1, 309.2  
CPC ..... B65D 11/38; B65D 85/8043; A47J 47/18; A47J 45/00; A47B 17/03; A47G 29/10; A47G 29/12

See application file for complete search history.

(56) **References Cited**

**U.S. PATENT DOCUMENTS**

D237,674 S \* 11/1975 Seltzer ..... D7/409  
D285,509 S \* 9/1986 Sussman ..... D6/525  
D339,942 S \* 10/1993 Emalfarb ..... D6/513  
D399,381 S \* 10/1998 Hoernig ..... D6/566  
D449,480 S \* 10/2001 Snell ..... D6/525  
D450,213 S \* 11/2001 Snell ..... D6/566  
D554,417 S \* 11/2007 Thorsteinsson ..... D6/566  
D554,419 S 11/2007 Thompson et al.  
D584,056 S \* 1/2009 Ghiorghie ..... D6/513  
D632,081 S \* 2/2011 Klein ..... D3/306

**OTHER PUBLICATIONS**

“mDesign Plastic Small Trash Can 1.5 Gallon/5.7 Liter Wastebasket, Garbage Container Bin w/Handles for Bathroom, Kitchen, Home Office Holds Waste, Recycling,10" H—Aura Collection—White” No Date first available found. Site visited on Jan. 23, 2022 with printout attached herewith. Available from the following Internet URL: [https://www.amazon.com/mDesign-Rectangular-Wastebasket-Container-Bathroom/dp/B073H95P3L/ref=sr\\_1\\_5?m=AWZ6H68STFCI4&marketplaceID=ATVPDKIKX0DER&qid=1640260034&s=merchant-items&sr=1-5&th=1](https://www.amazon.com/mDesign-Rectangular-Wastebasket-Container-Bathroom/dp/B073H95P3L/ref=sr_1_5?m=AWZ6H68STFCI4&marketplaceID=ATVPDKIKX0DER&qid=1640260034&s=merchant-items&sr=1-5&th=1).

*Primary Examiner* — Nathan M Johnston  
(74) *Attorney, Agent, or Firm* — iPA & iPM

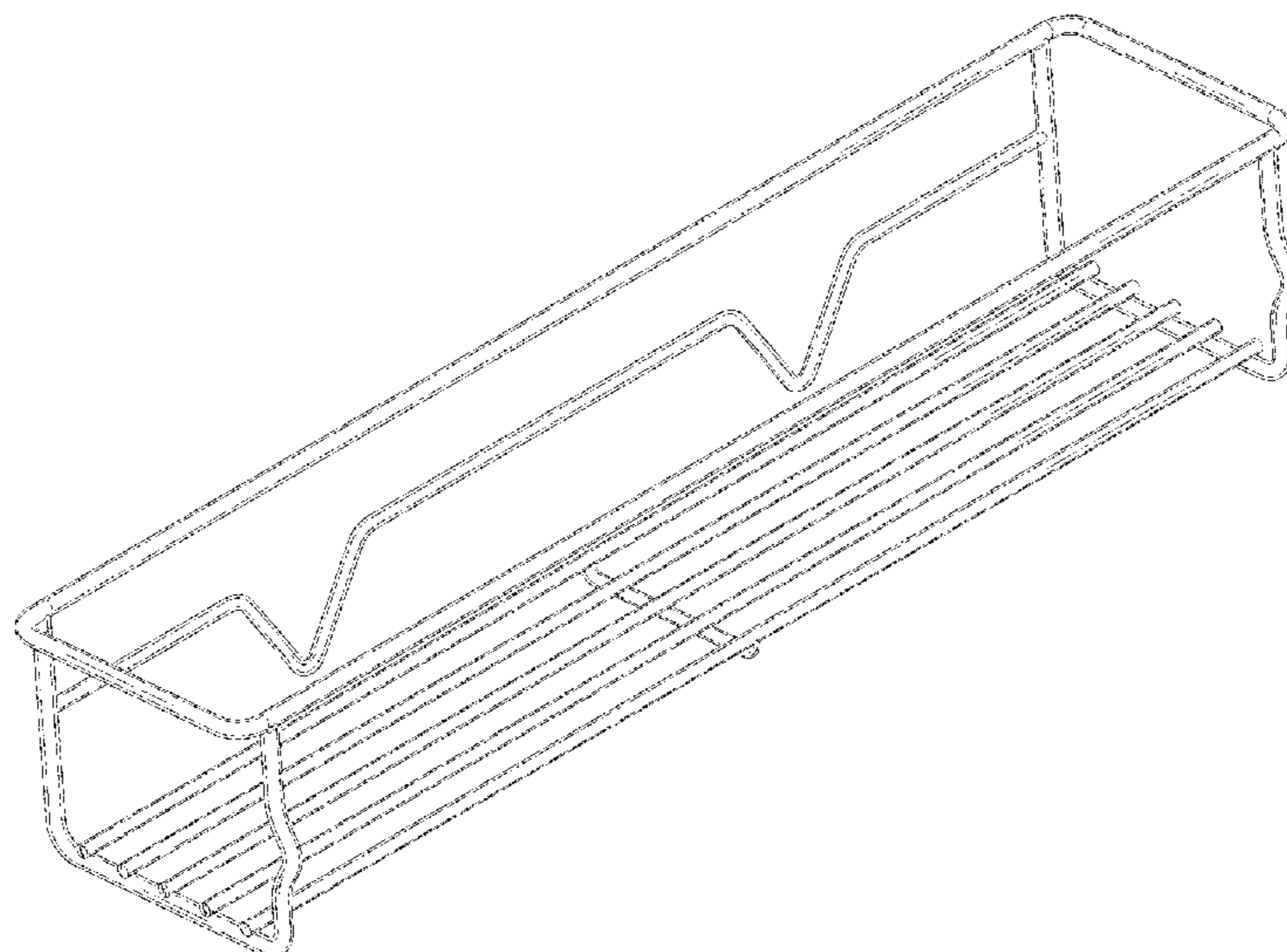
(57) **CLAIM**

The ornamental design for a rack, as shown and described.

**DESCRIPTION**

FIG. 1 is a perspective view of a rack showing my new design;  
FIG. 2 is a front view thereof;  
FIG. 3 is a back view thereof;  
FIG. 4 is a left side view thereof;  
FIG. 5 is a right side view thereof;  
FIG. 6 is a top view thereof; and,  
FIG. 7 is a bottom view thereof.

**1 Claim, 4 Drawing Sheets**



(56)

**References Cited**

U.S. PATENT DOCUMENTS

D945,791 S	3/2022	Peng	
D955,136 S *	6/2022	Qiu .....	D6/566
D972,860 S *	12/2022	Zhou .....	D6/525
2019/0183243 A1	6/2019	Brüggemann	

\* cited by examiner

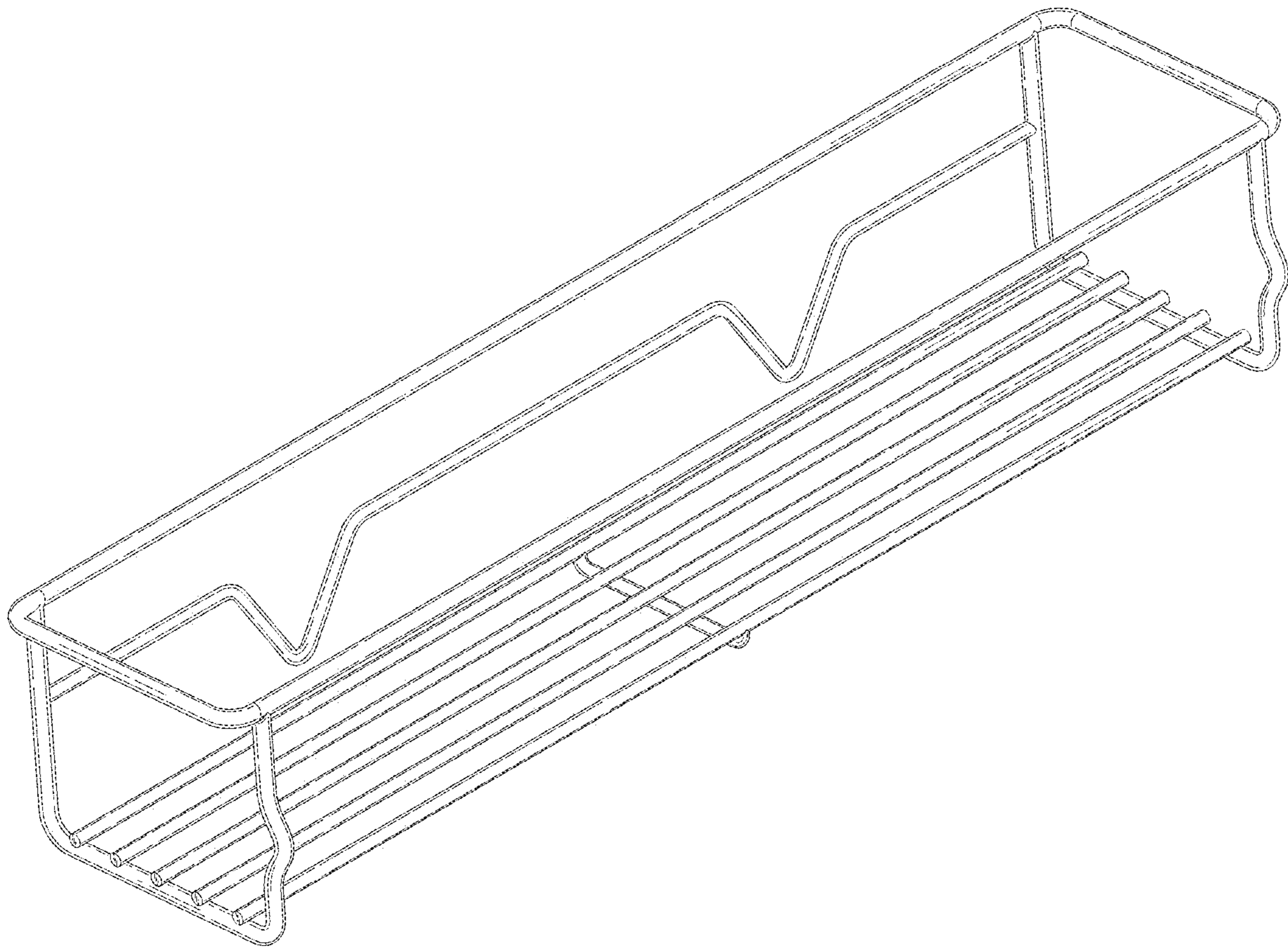


FIG. 1

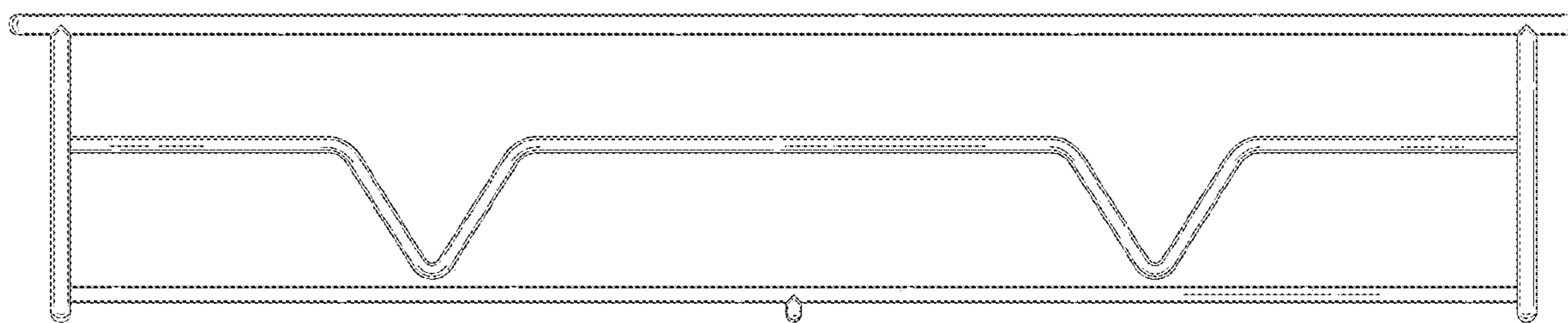


FIG. 2

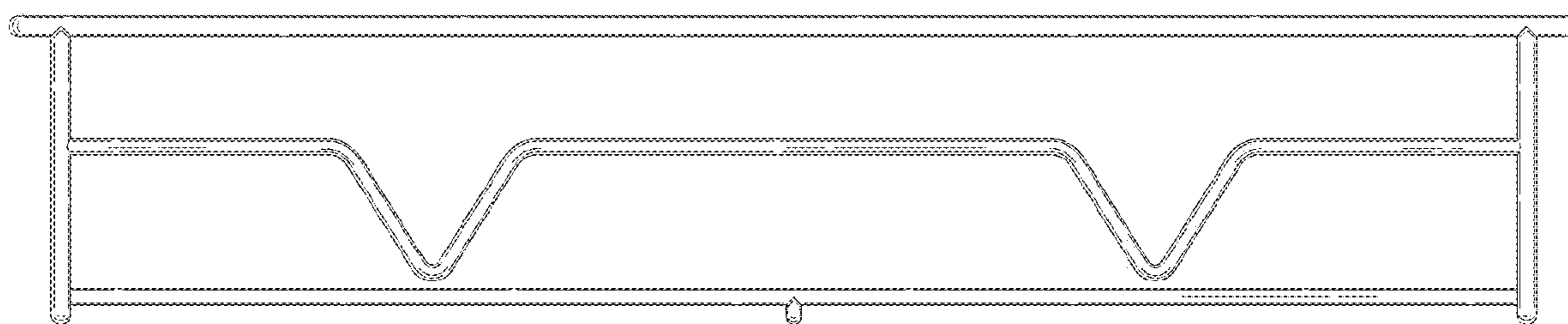


FIG. 3

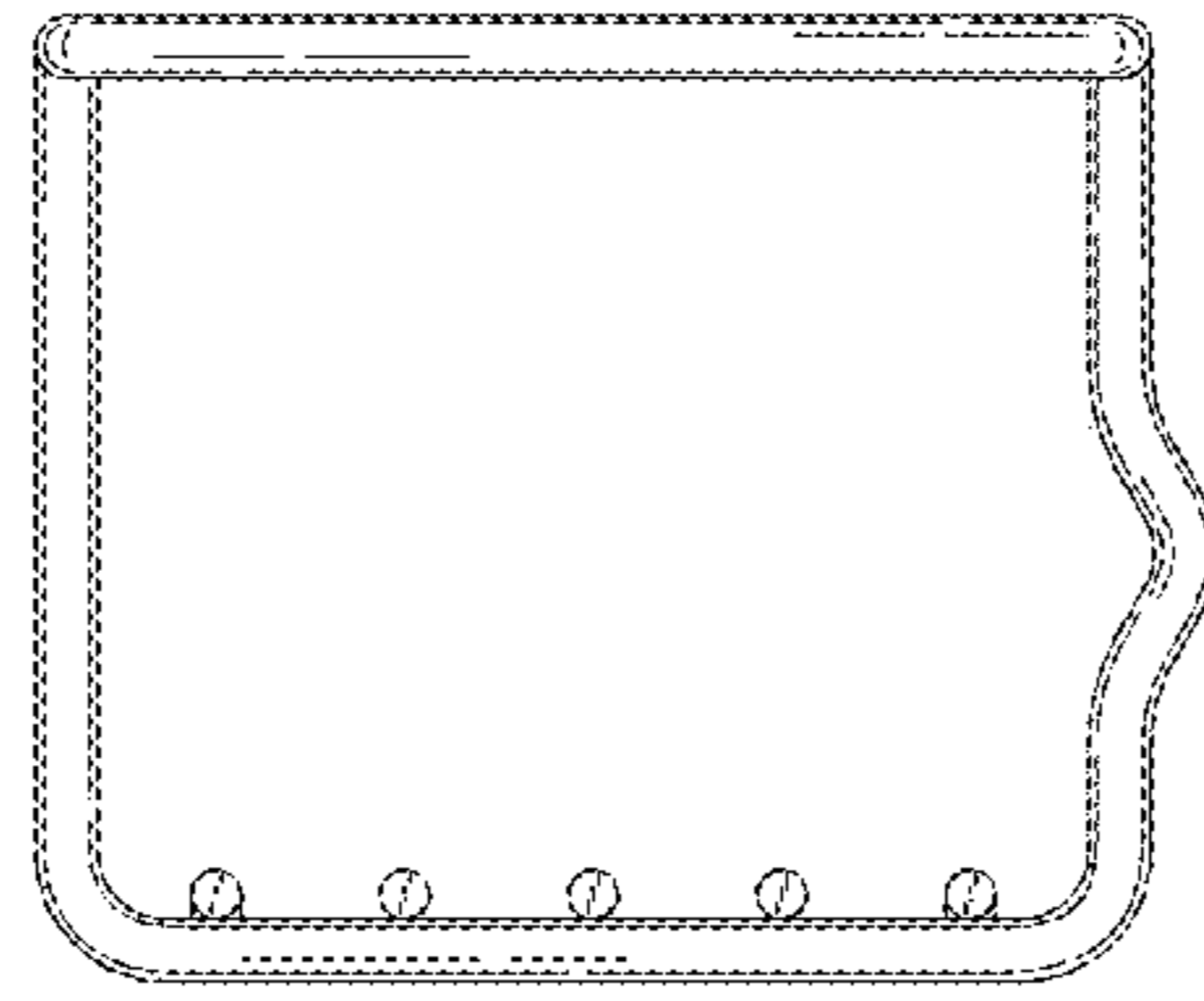


FIG. 4

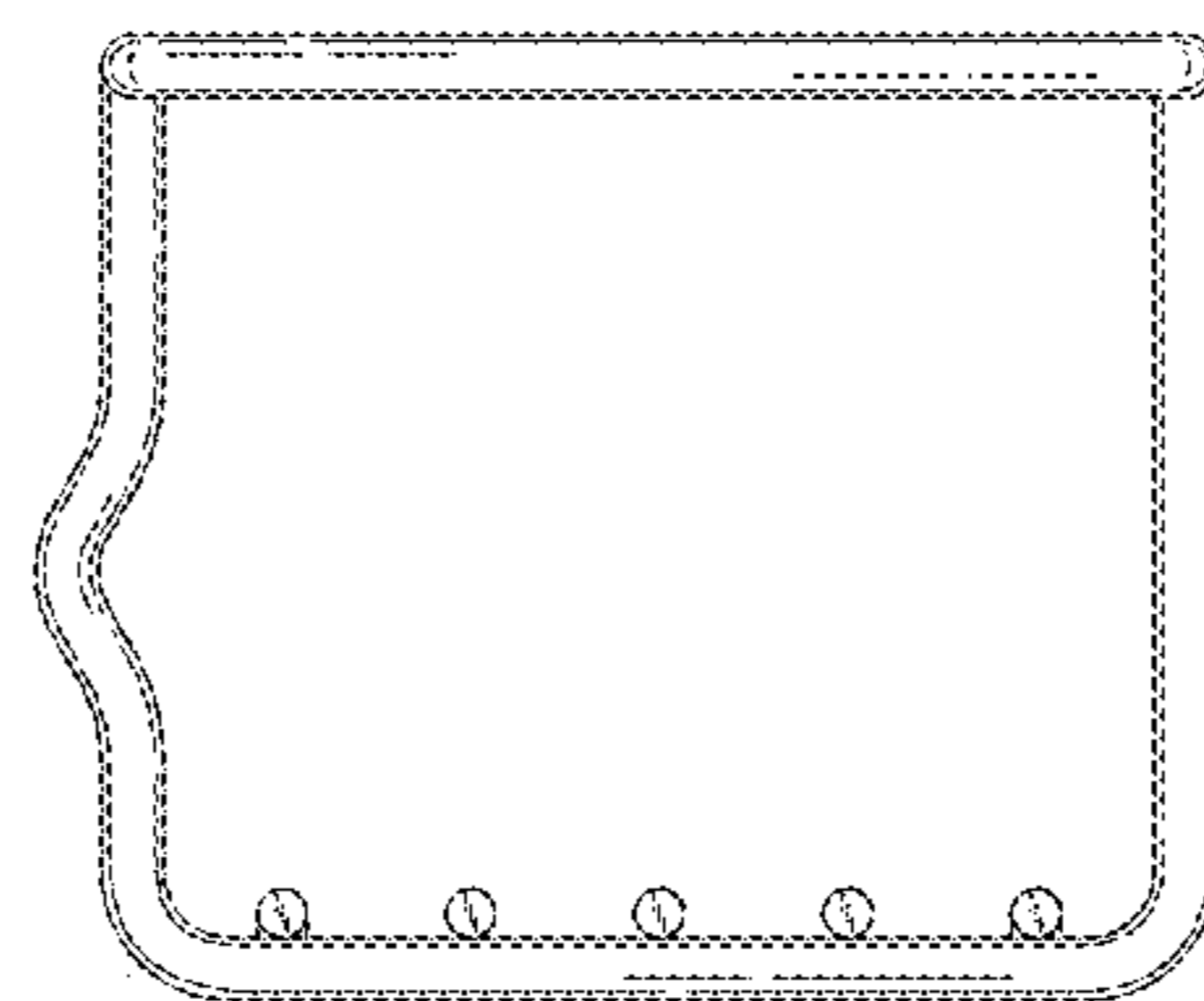


FIG. 5

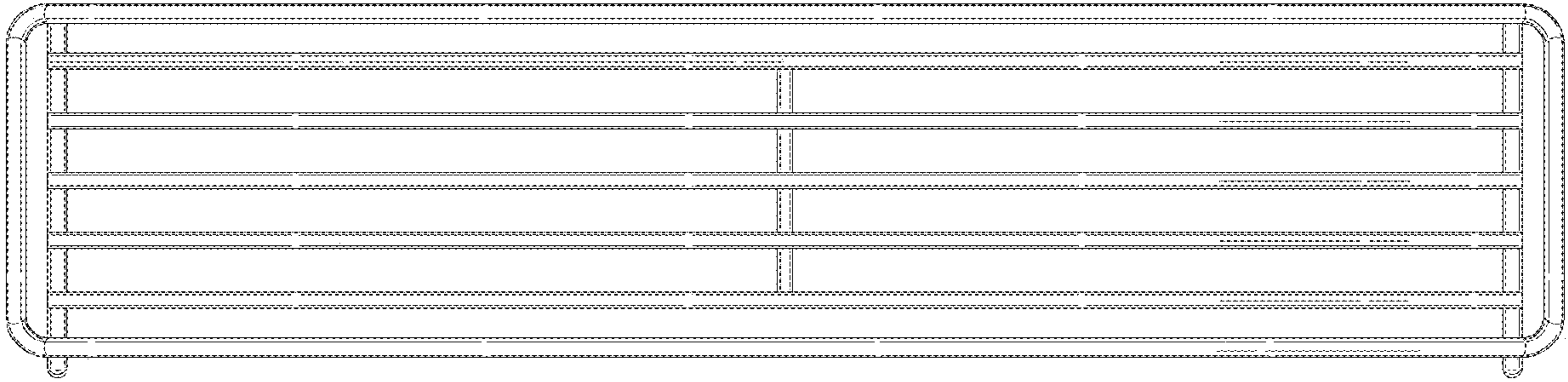


FIG. 6

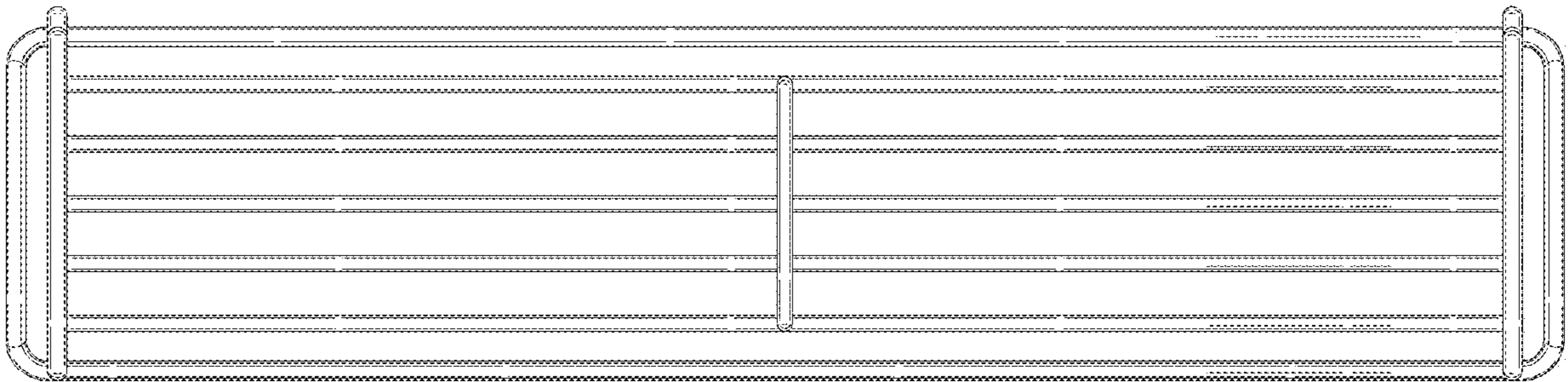


FIG. 7