



US00D979978S

(12) **United States Design Patent** (10) **Patent No.:** **US D979,978 S**  
**Hodossy et al.** (45) **Date of Patent:** **\*\* Mar. 7, 2023**

(54) **SOAP DISPENSER ADAPTOR**  
(71) Applicant: **Essity Hygiene and Health Aktiebolag**, Gothenburg (SE)  
(72) Inventors: **Sofia Hodossy**, Gothenburg (SE); **Karl Walheim**, Borlange (SE); **Joel Olsson**, Borlange (SE)  
(73) Assignee: **ESSITY HYGIENE AND HEALTH AKTIEBOLAG**, Gothenburg (SE)

D565,877 S \* 4/2008 Chen ..... D6/542  
D574,931 S \* 8/2008 Hughes ..... D23/262  
D663,024 S \* 7/2012 Trifilio ..... D24/130  
D710,198 S \* 8/2014 Blowfield ..... D9/447  
D770,598 S \* 11/2016 Steele ..... D23/262  
D772,602 S \* 11/2016 Indruk ..... D9/448  
D779,942 S \* 2/2017 Saussaye ..... D9/454  
10,543,500 B2 \* 1/2020 Nilsson ..... B05B 11/3033  
D877,531 S \* 3/2020 Palomba ..... D6/542  
D957,845 S \* 7/2022 Fried ..... D6/522  
2010/0181342 A1 \* 7/2010 Lin ..... A47K 5/14  
222/181.3  
2019/0076864 A1 \* 3/2019 Nilsson ..... B05B 11/3064

(\*\*) Term: **15 Years**

**OTHER PUBLICATIONS**

(21) Appl. No.: **29/762,174**

Tork Premium Extra Mild Foam Soap, available in Amazon.ca, date first available Aug. 1, 2019 [online], Retrieved on Sep. 15, 2022 from URL: <https://www.amazon.ca/Tork-401211-Premium-Colorless-Bottle/dp/B079TJZ629/> (Year: 2019).\*

(22) Filed: **Dec. 15, 2020**

(30) **Foreign Application Priority Data**

Jun. 17, 2020 (EM) ..... 008006621-0001

(51) **LOC (14) Cl.** ..... **23-08**

(52) **U.S. Cl.**  
USPC ..... **D6/542**

(58) **Field of Classification Search**  
USPC ..... D6/512, 515, 518, 522, 542, 524, 543, D6/545; D9/447, 448, 434, 436, 454, D9/529, 558, 602, 686, 689; D24/130; D7/306, 312, 313, 316, 322, 397, 398, D7/589; D13/158; D23/245, 248, 262, D23/263  
CPC ..... A47K 5/1214; A47K 5/14; B01F 25/316  
See application file for complete search history.

\* cited by examiner

*Primary Examiner* — Vy N Koenig  
*Assistant Examiner* — Michelle M Reeves  
(74) *Attorney, Agent, or Firm* — Cantor Colburn LLP

(56) **References Cited**

**U.S. PATENT DOCUMENTS**

D34,101 S \* 2/1901 Griffiths ..... D23/262  
D325,312 S \* 4/1992 Steiner ..... D6/542  
D413,465 S \* 9/1999 Scholey ..... A61F 11/08  
D6/515  
D529,383 S \* 10/2006 Haworth ..... D9/448

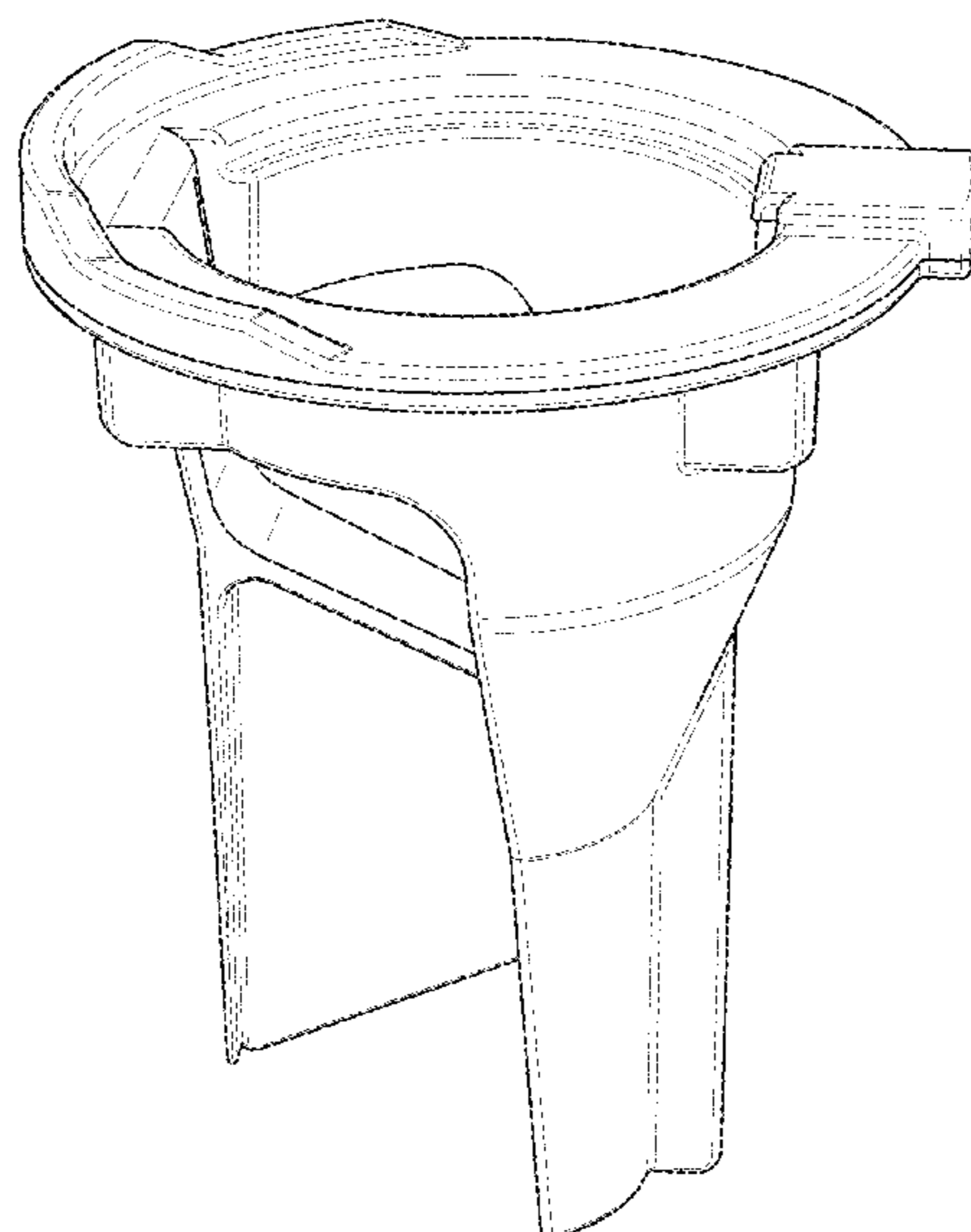
(57) **CLAIM**

The ornamental design for a soap dispenser adaptor, as shown and described.

**DESCRIPTION**

FIG. 1 is a top perspective view of a soap dispenser adaptor showing our new design;  
FIG. 2 is a bottom perspective view thereof;  
FIG. 3 is a front elevation view thereof;  
FIG. 4 is a rear elevation view thereof;  
FIG. 5 is a right side elevation view thereof;  
FIG. 6 is a left side elevation view thereof;  
FIG. 7 is a top plan view thereof; and,  
FIG. 8 is a bottom plan view thereof.

**1 Claim, 7 Drawing Sheets**



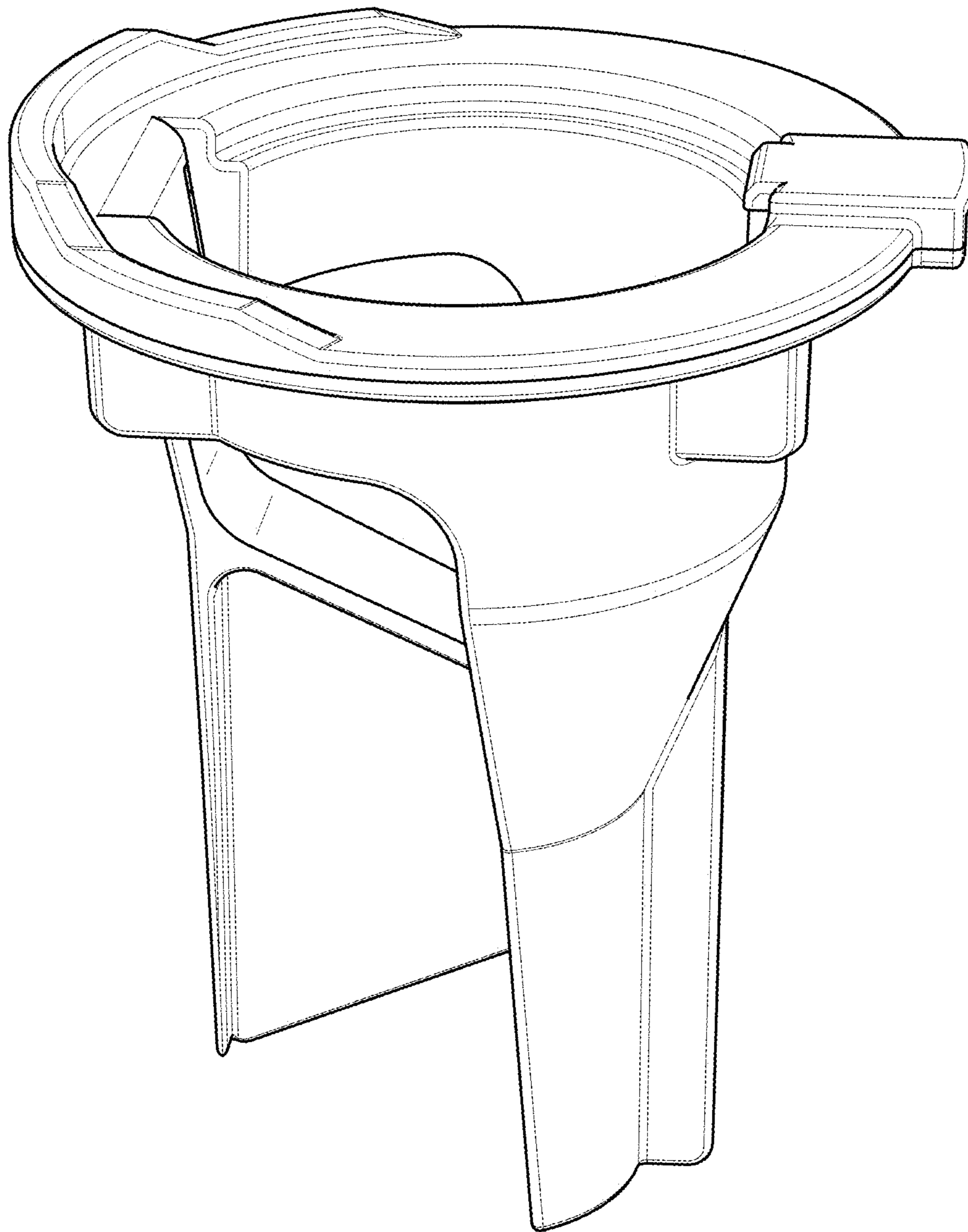


FIG. 1

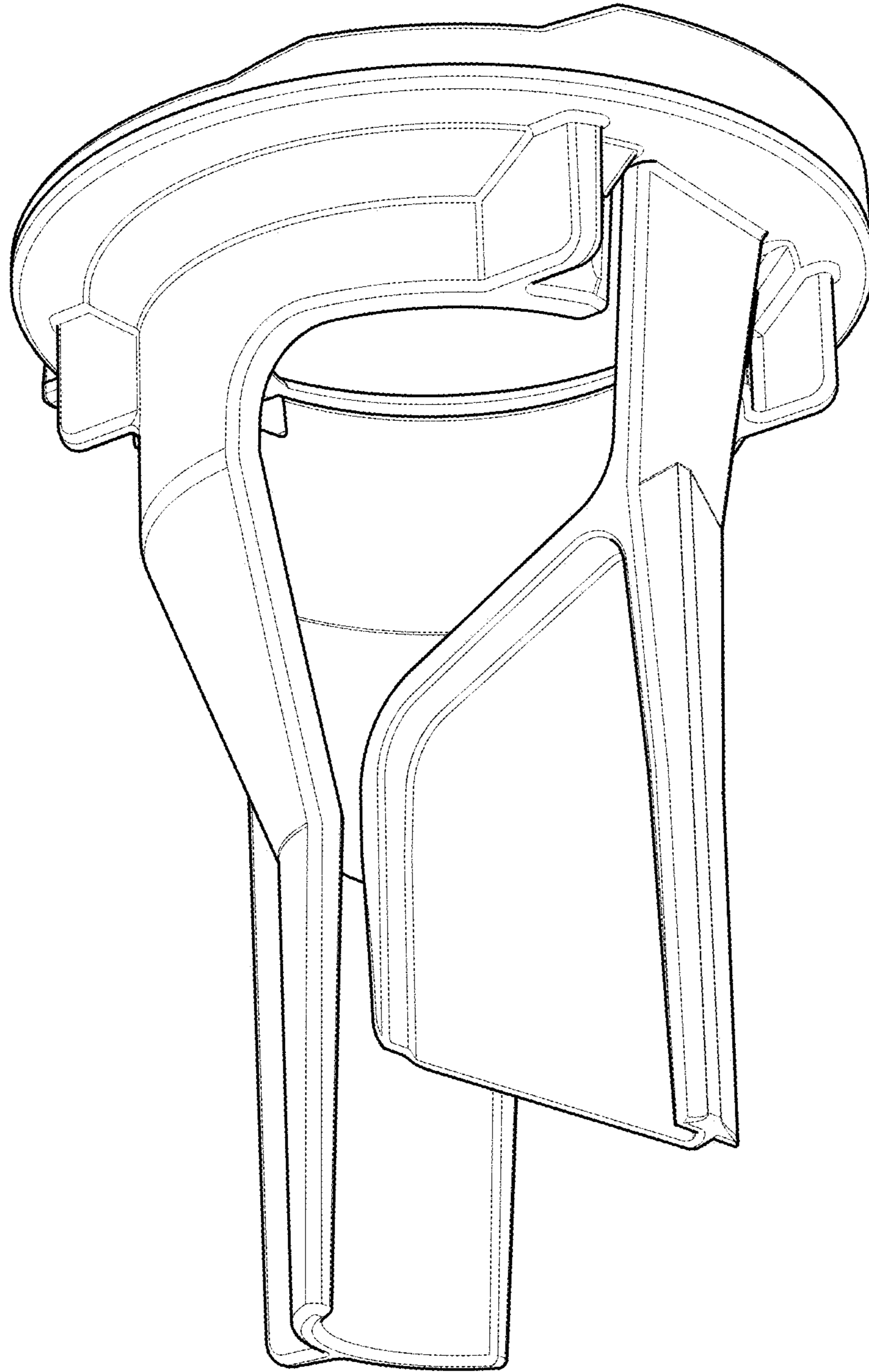


FIG. 2

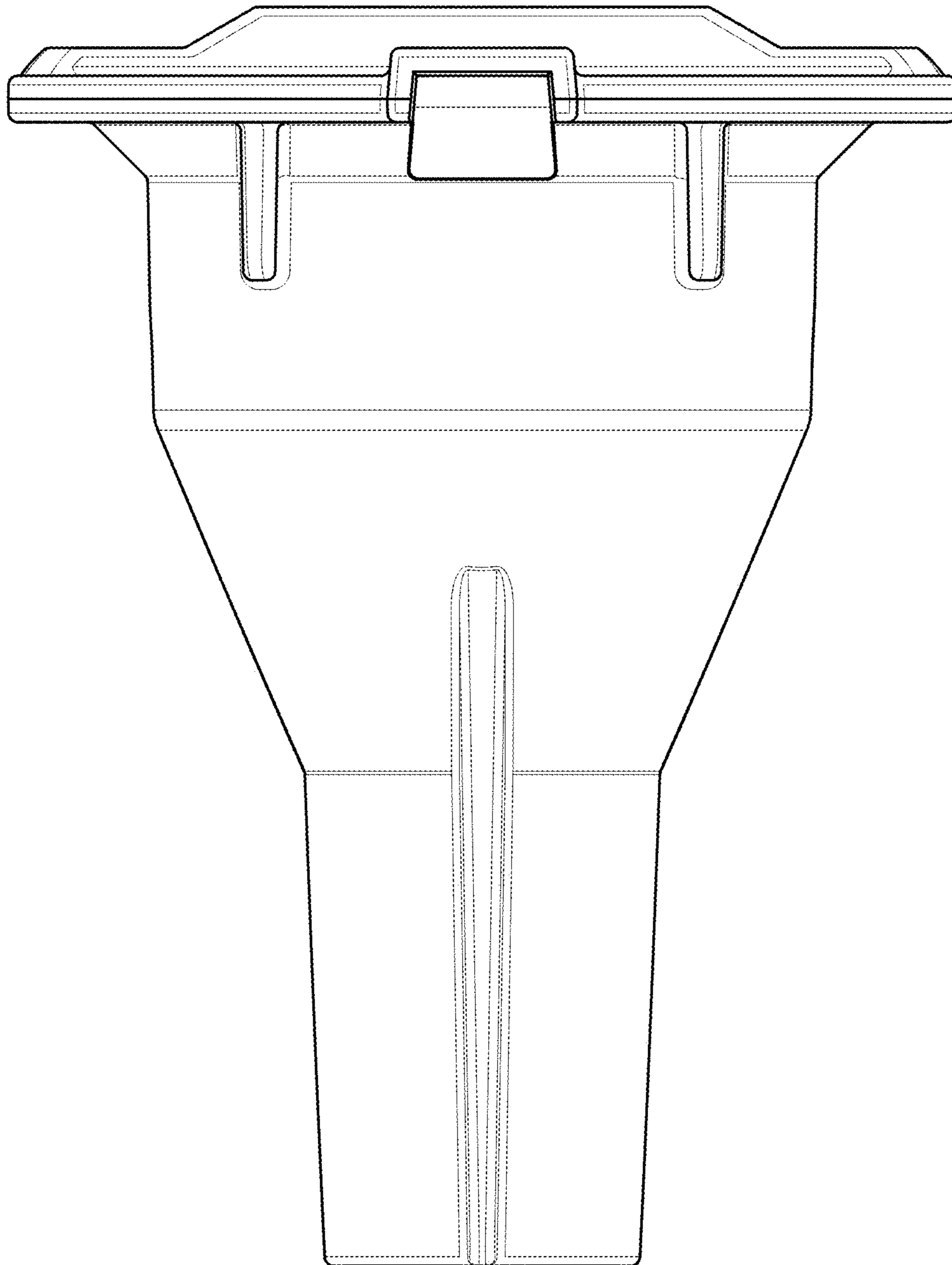


FIG. 3

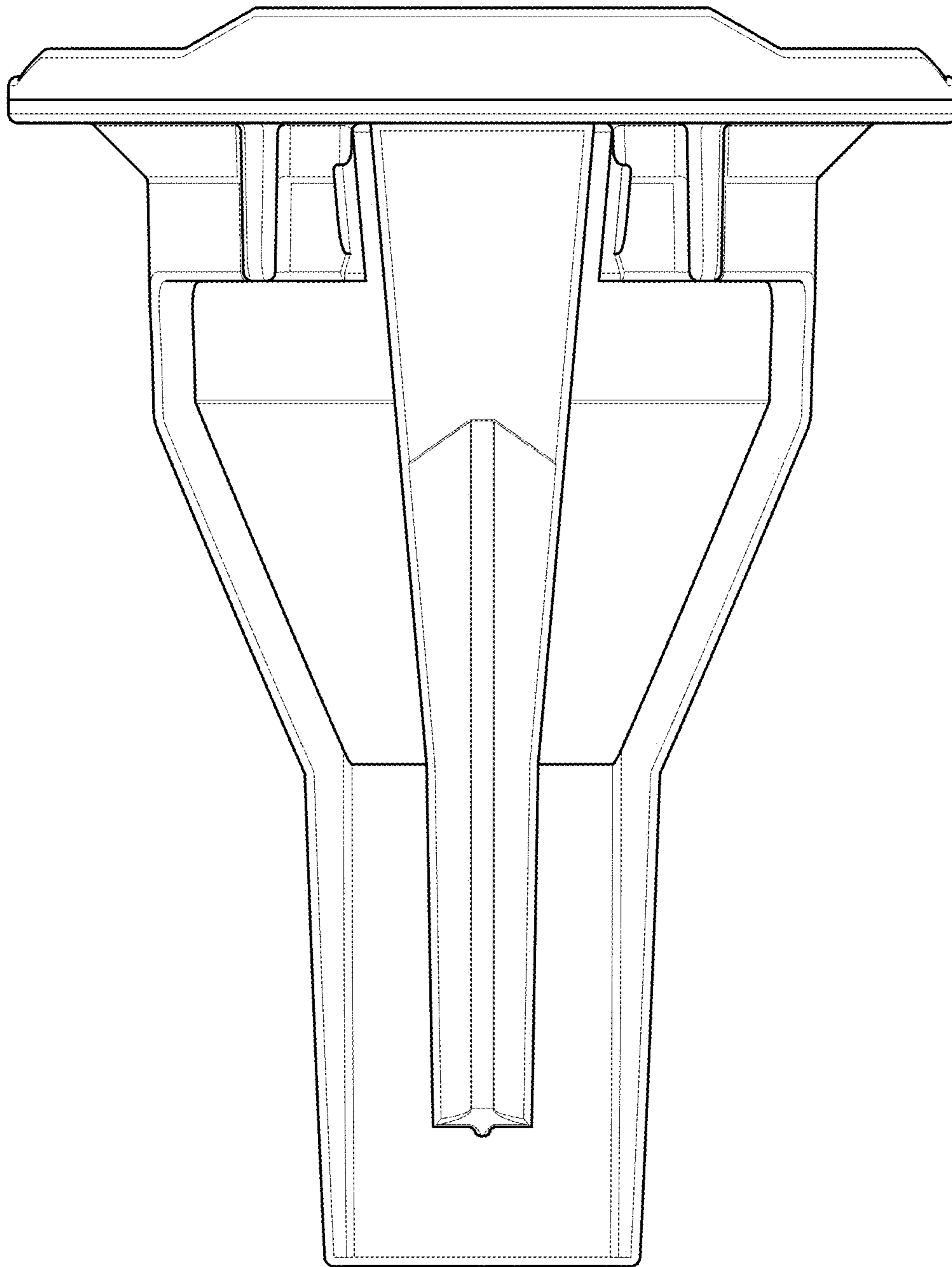


FIG. 4

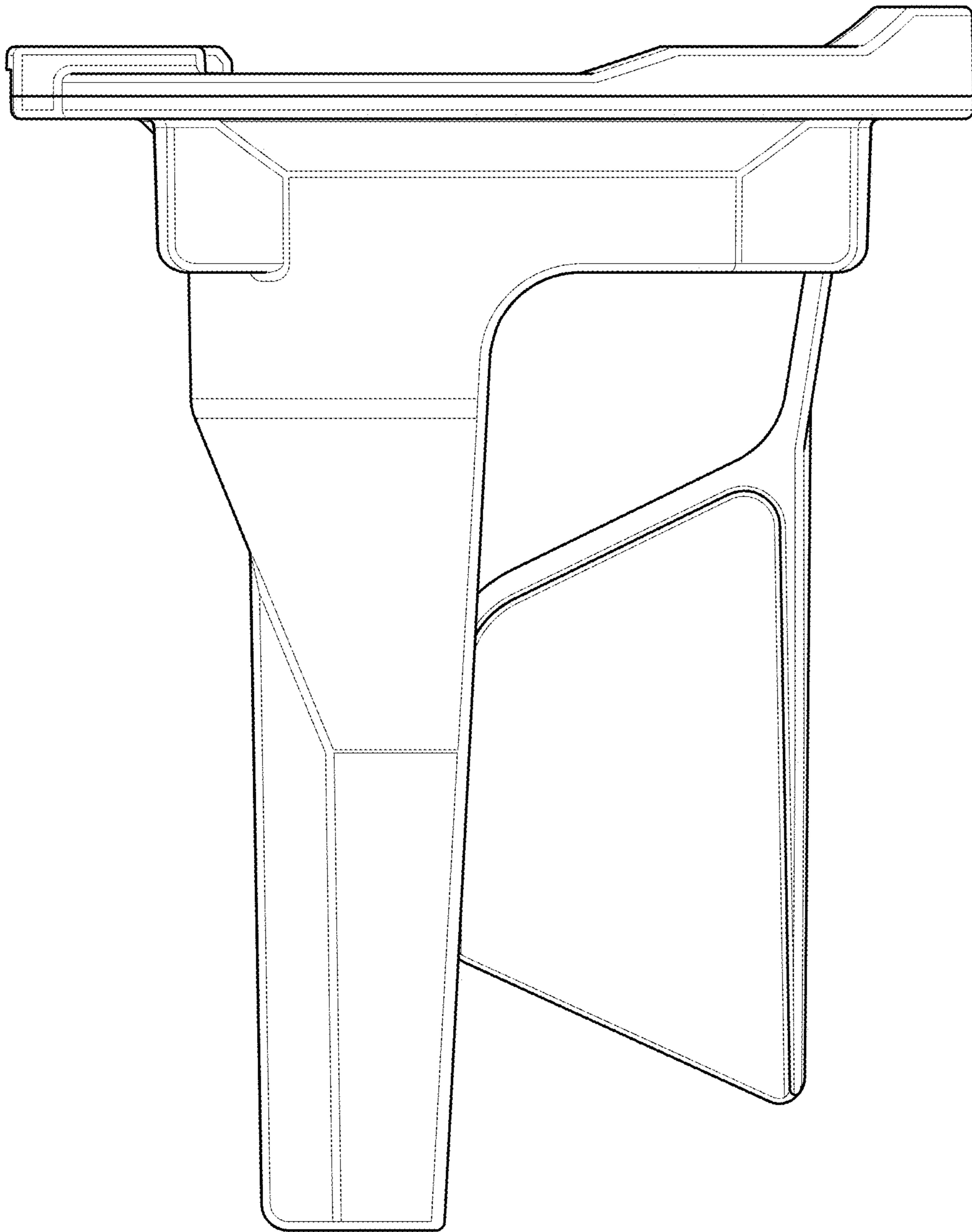


FIG. 5

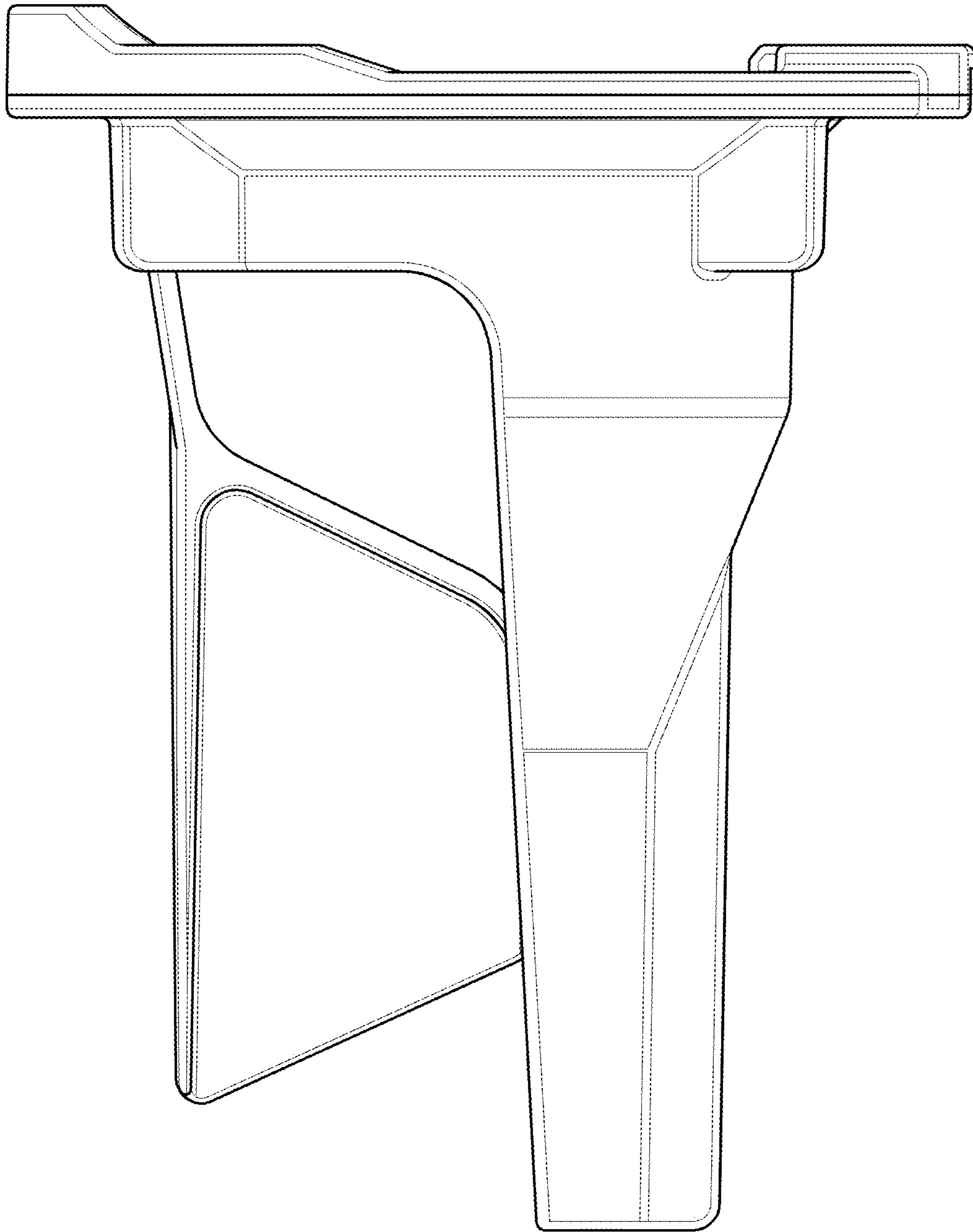


FIG. 6

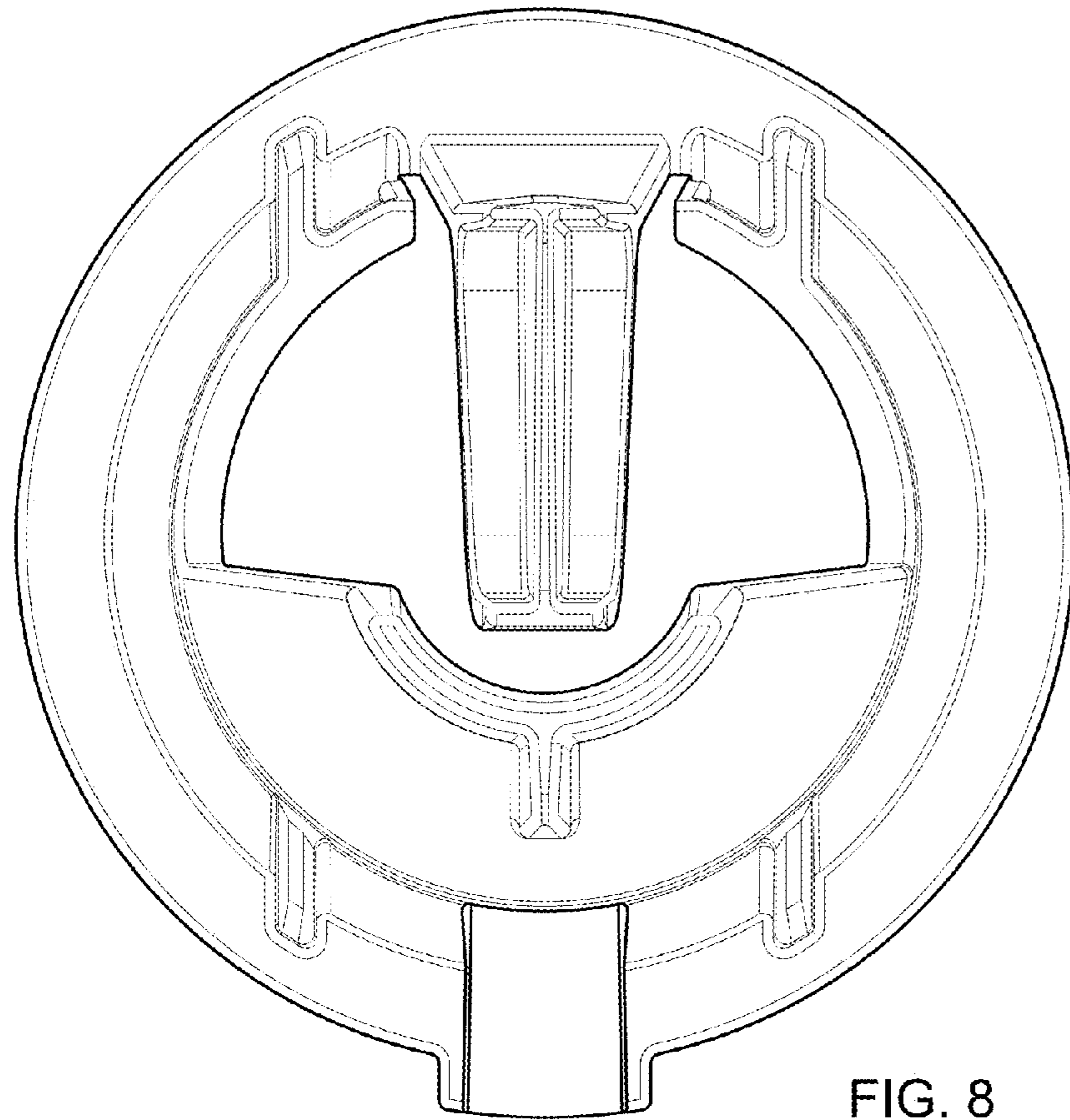


FIG. 8

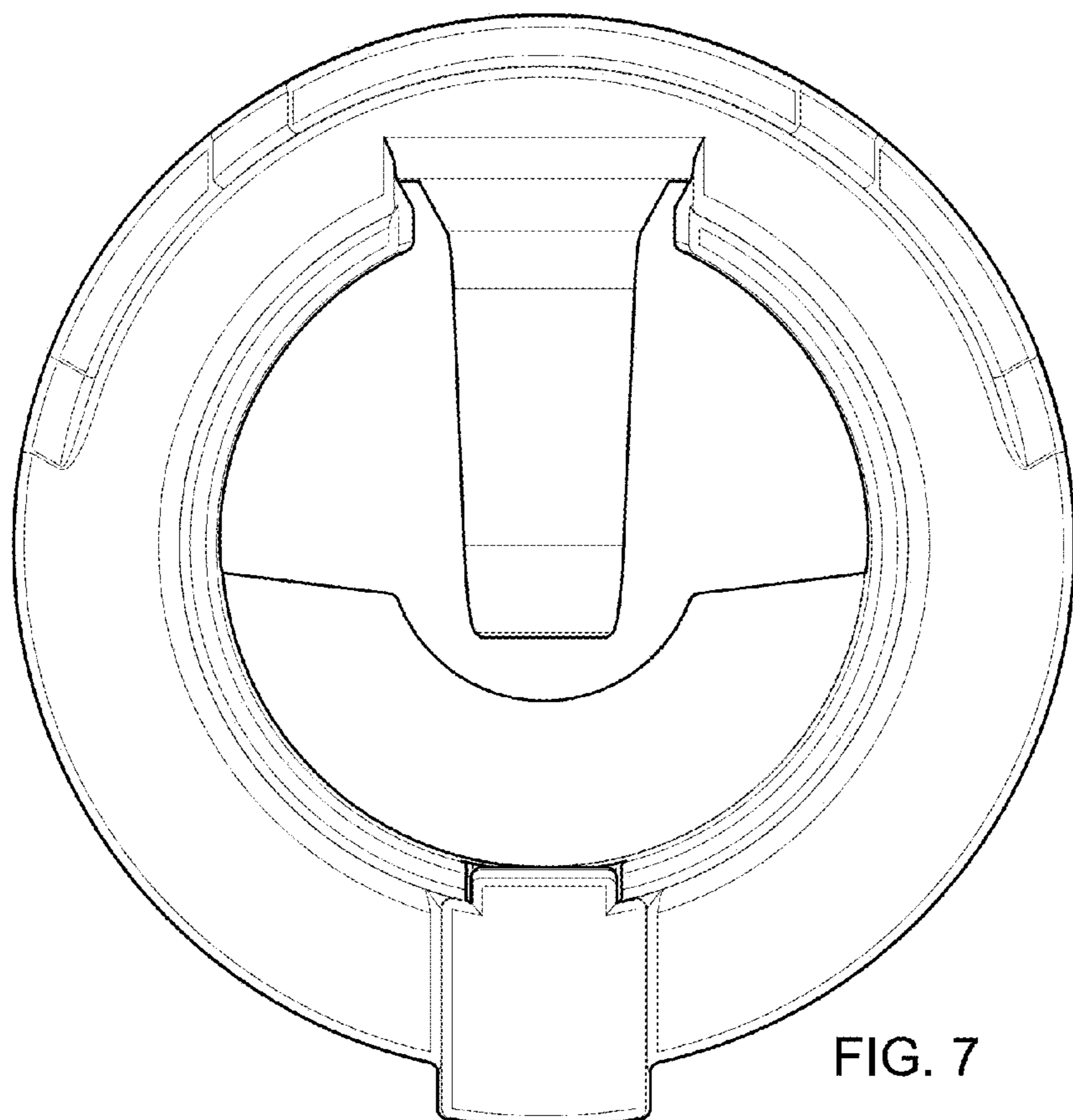


FIG. 7