



US00D979976S

(12) **United States Design Patent** (10) **Patent No.:** **US D979,976 S**
Liao (45) **Date of Patent:** **** Mar. 7, 2023**

(54) **BATHTUB TRAY** 7,080,416 B1 * 7/2006 Portnell A47K 3/001
211/119.011
(71) Applicant: **Shenzhen Kaduo Industrial Co., Ltd.,** D734,839 S 7/2015 Jones
Shenzhen (CN) D955,138 S * 6/2022 Lin D6/574
2004/0226486 A1 * 11/2004 Simpson A47B 13/16
108/47

(72) Inventor: **Jiping Liao**, Hengnan County (CN)

(**) Term: **15 Years**

(21) Appl. No.: **29/853,871**

(22) Filed: **Sep. 20, 2022**

(51) **LOC (14) Cl.** **06-04**

(52) **U.S. Cl.**
USPC **D6/525**

(58) **Field of Classification Search**
USPC D6/512, 513, 524, 525, 527, 553, 566,
D6/567, 572, 573, 574, 707.16;
D7/550.1, 552.1, 553.1, 553.2, 553.3,
D7/553.4, 553.5, 553.6, 553.7, 554.2,
D7/554.3, 554.4; D23/304
CPC . A47K 3/00; A47K 3/004; A47K 1/09; A47K
1/08
See application file for complete search history.

(56) **References Cited**

U.S. PATENT DOCUMENTS

1,593,834 A * 7/1926 Mcneal A47B 31/06
D7/552.1
D137,442 S * 3/1944 Nordby D6/707.16
2,650,651 A * 9/1953 Choate A47C 7/68
D7/552.1
2,672,182 A * 3/1954 Gwin A47D 15/00
297/188.2
3,185,113 A * 5/1965 Jacques A47C 7/705
108/18
D270,506 S * 9/1983 Thorne D7/552.1
D342,806 S * 12/1993 Jones D24/227
D358,458 S 5/1995 Brightbill et al.
D413,209 S * 8/1999 Jarke D7/550.1
D442,442 S * 5/2001 Goldsborough D7/701
D442,812 S * 5/2001 McMahon D6/525

FOREIGN PATENT DOCUMENTS

CN 307732798 * 12/2022
GB 6231105 * 10/2022

OTHER PUBLICATIONS

Adjustable Hot Tub Table Tray, moonoom (online) 7 pgs. Available
Sep. 28, 2022. [Retrieved Nov. 18, 2022] <https://www.amazon.com/dp/B0BGPRGDRF> (Year: 2022).*

(Continued)

Primary Examiner — Marie D. Fast Horse
Assistant Examiner — Jennifer Sierra Yosinski
(74) *Attorney, Agent, or Firm* — Daniel M. Cohn;
Howard M. Cohn

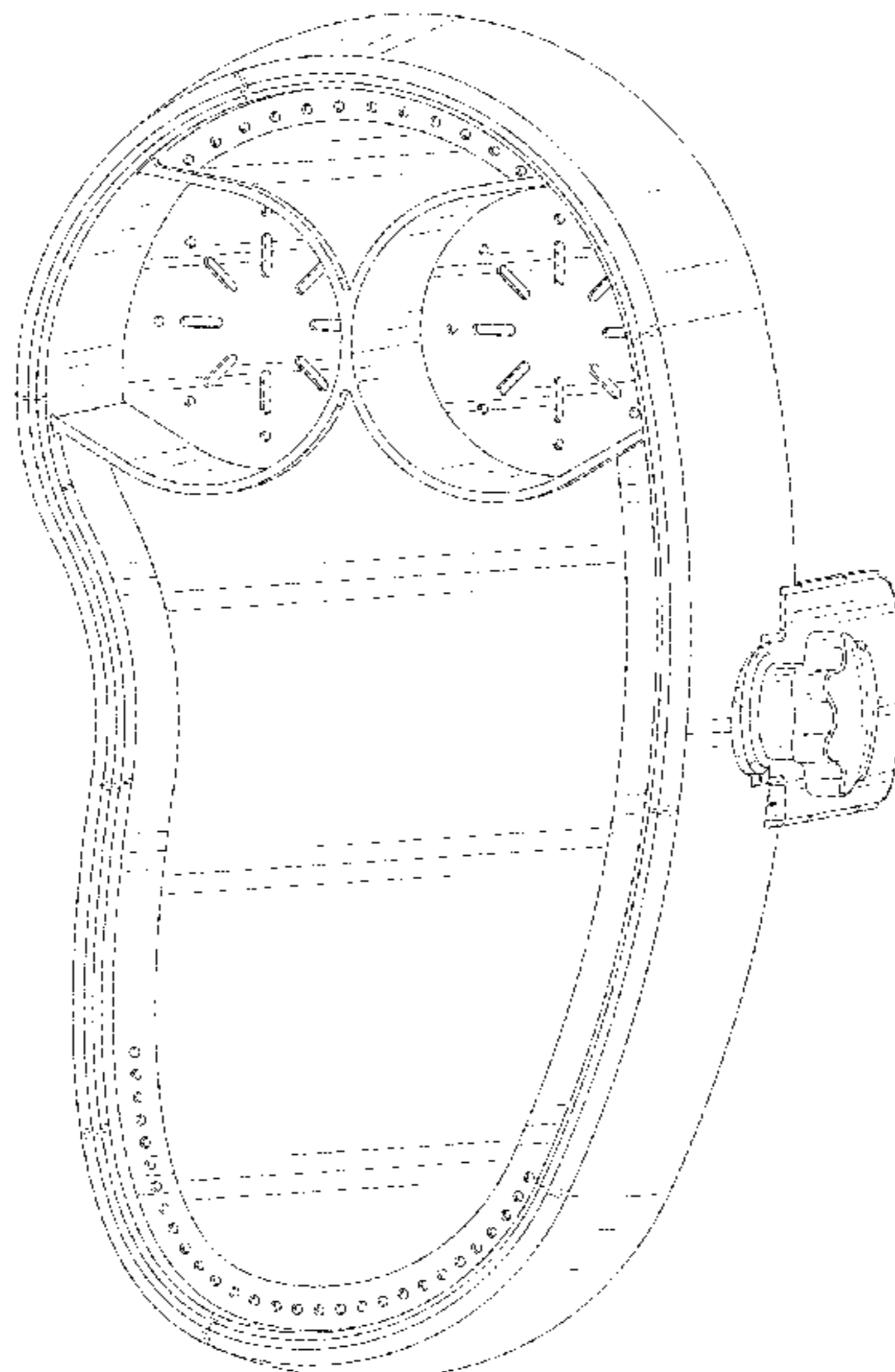
(57) **CLAIM**

The ornamental design for a bathtub tray, as shown and described.

DESCRIPTION

FIG. 1 is a perspective view of a bathtub tray showing my new design;
FIG. 2 is another perspective view thereof;
FIG. 3 is a front view thereof;
FIG. 4 is a back view thereof;
FIG. 5 is a left view thereof;
FIG. 6 is a right view thereof;
FIG. 7 is a top plan view thereof; and,
FIG. 8 is a bottom plan view of a bathtub tray as shown.
The broken lines in the drawings depict portions of the bathtub tray that form no part of the claimed design.

1 Claim, 8 Drawing Sheets



(56)

References Cited

OTHER PUBLICATIONS

Hot Tub Table Tray. ZPMOCKAQ (online) 11 pgs. Available Oct. 8, 2022. [Retrieved Nov. 18, 2022] <https://www.amazon.com/dp/B0BHL5SZKQ> (Year: 2022).*

Life Tray Table. Life (online) 10 pgs. Available Sep. 14, 2019. [Retrieved Nov. 18, 2022] <https://www.amazon.com/Life-6965-Tray-Table/dp/B06XBXNL8W> (Year: 2019).*

* cited by examiner

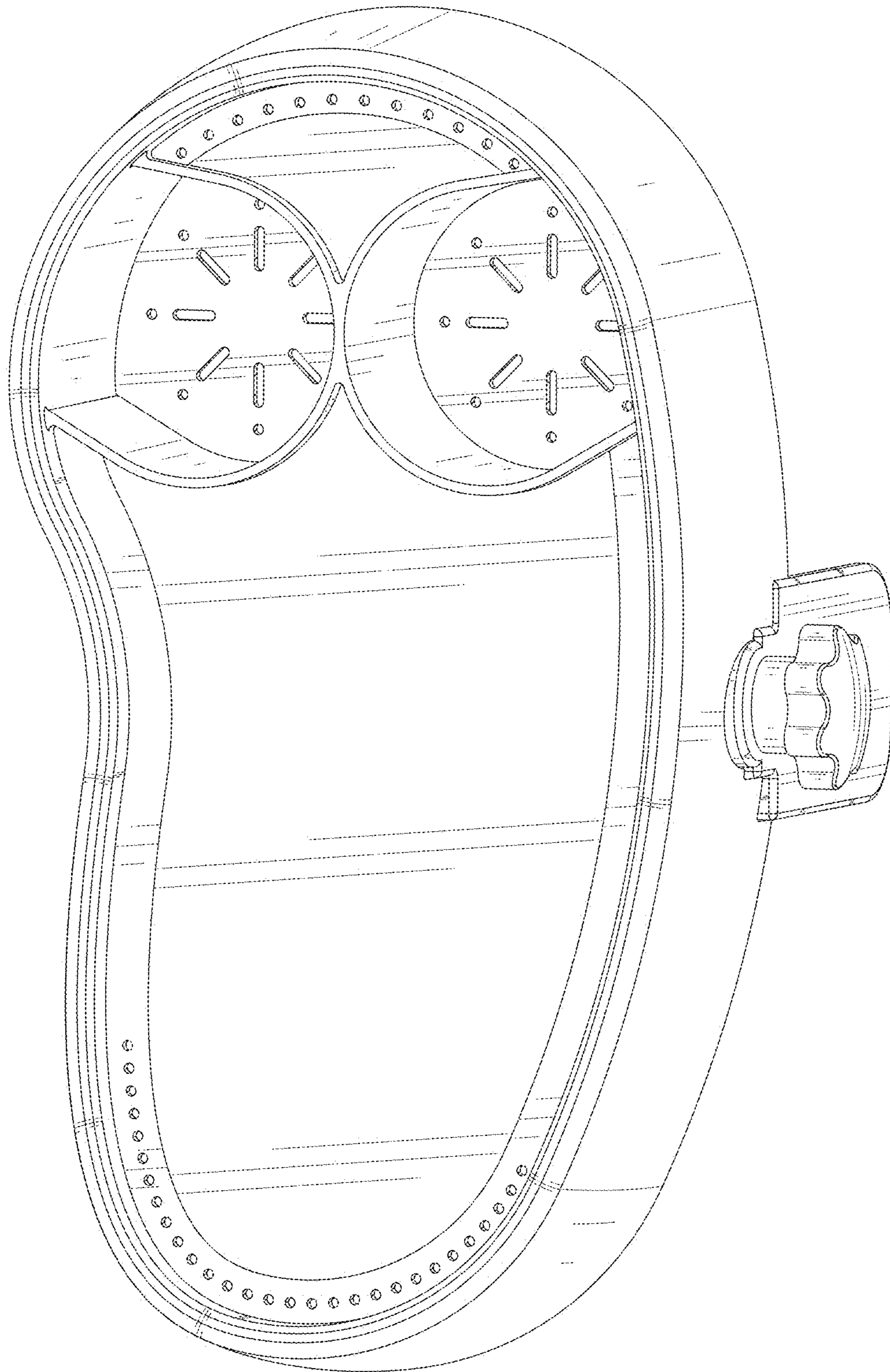


FIG. 1

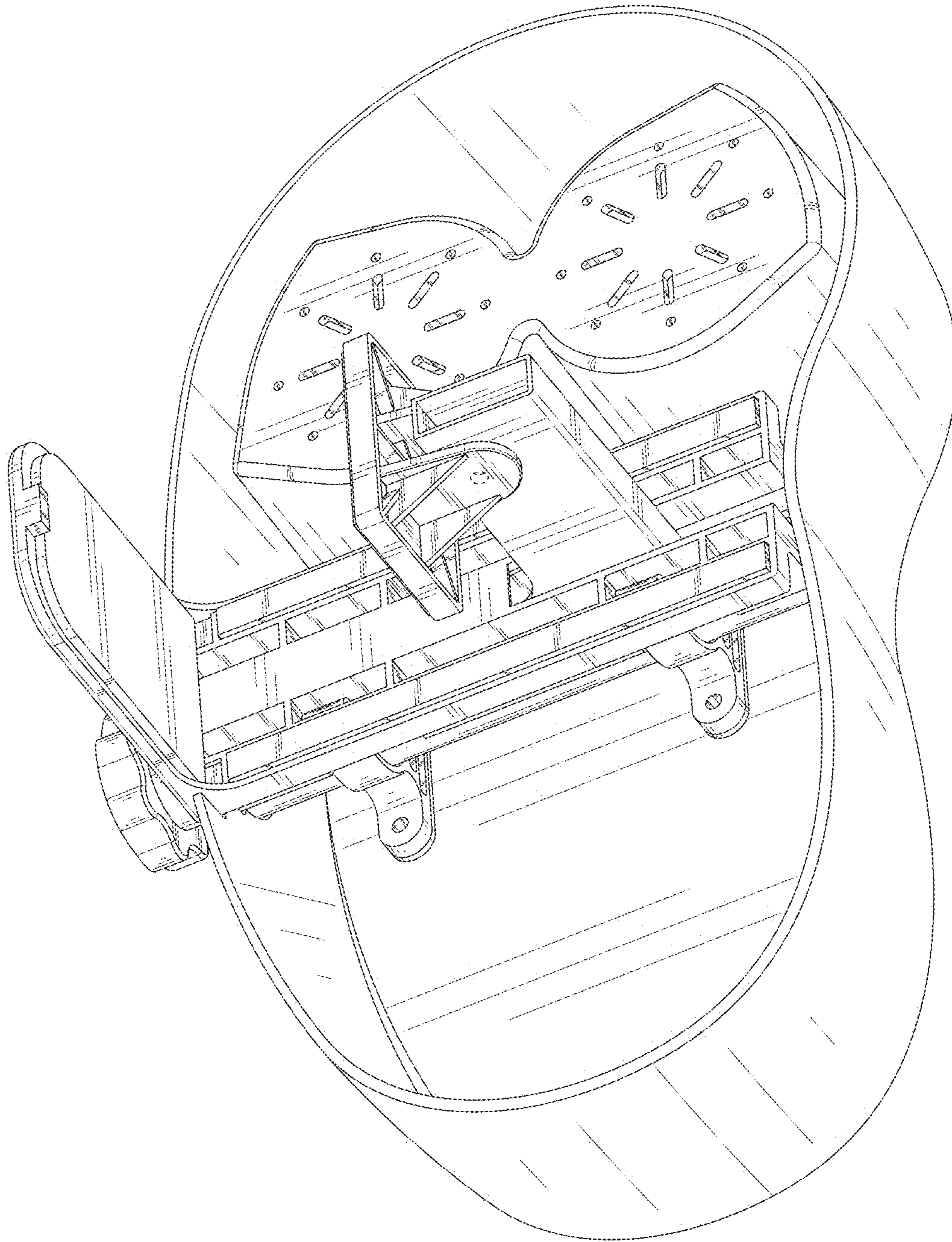


FIG.2

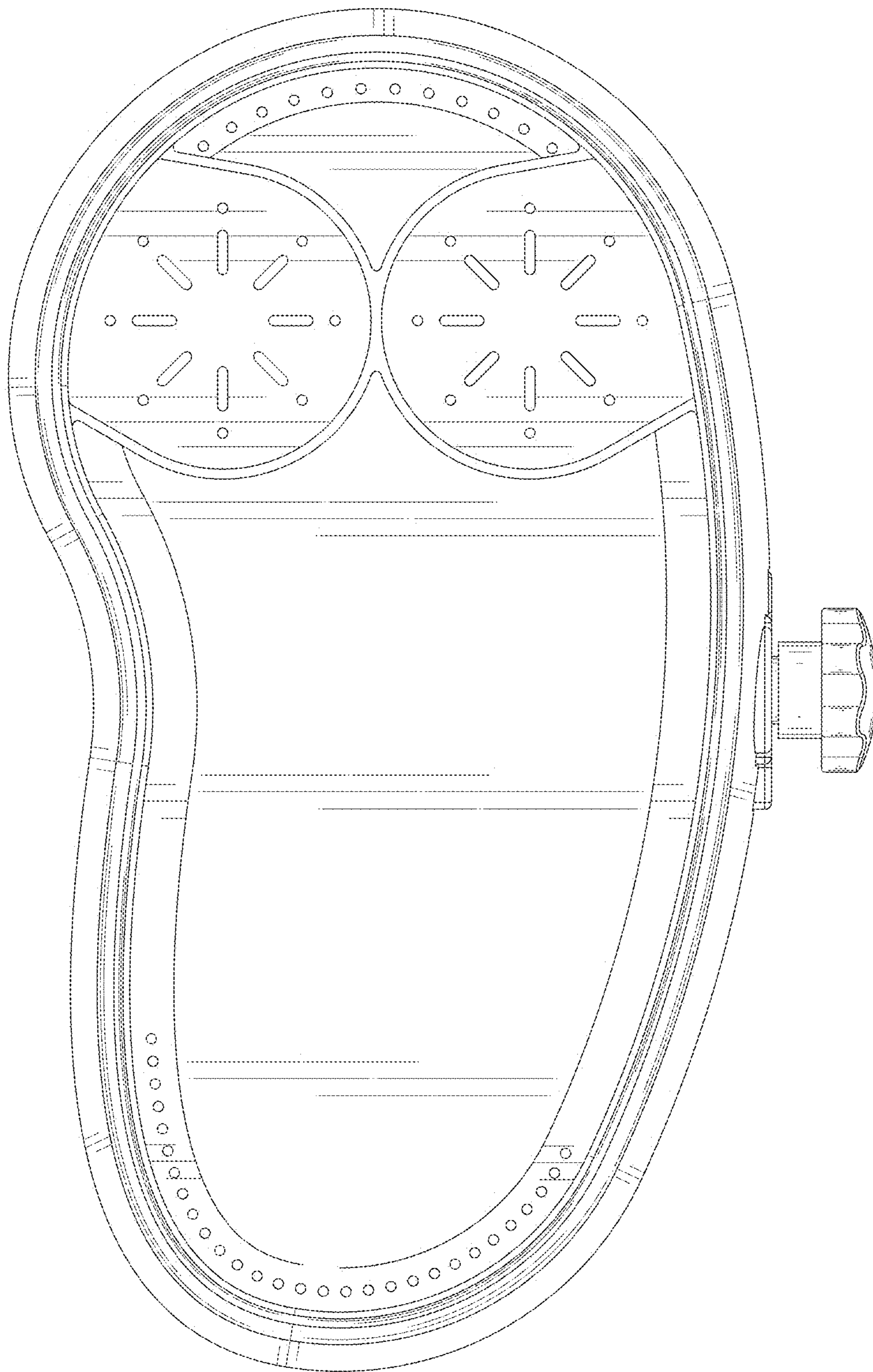


FIG.3

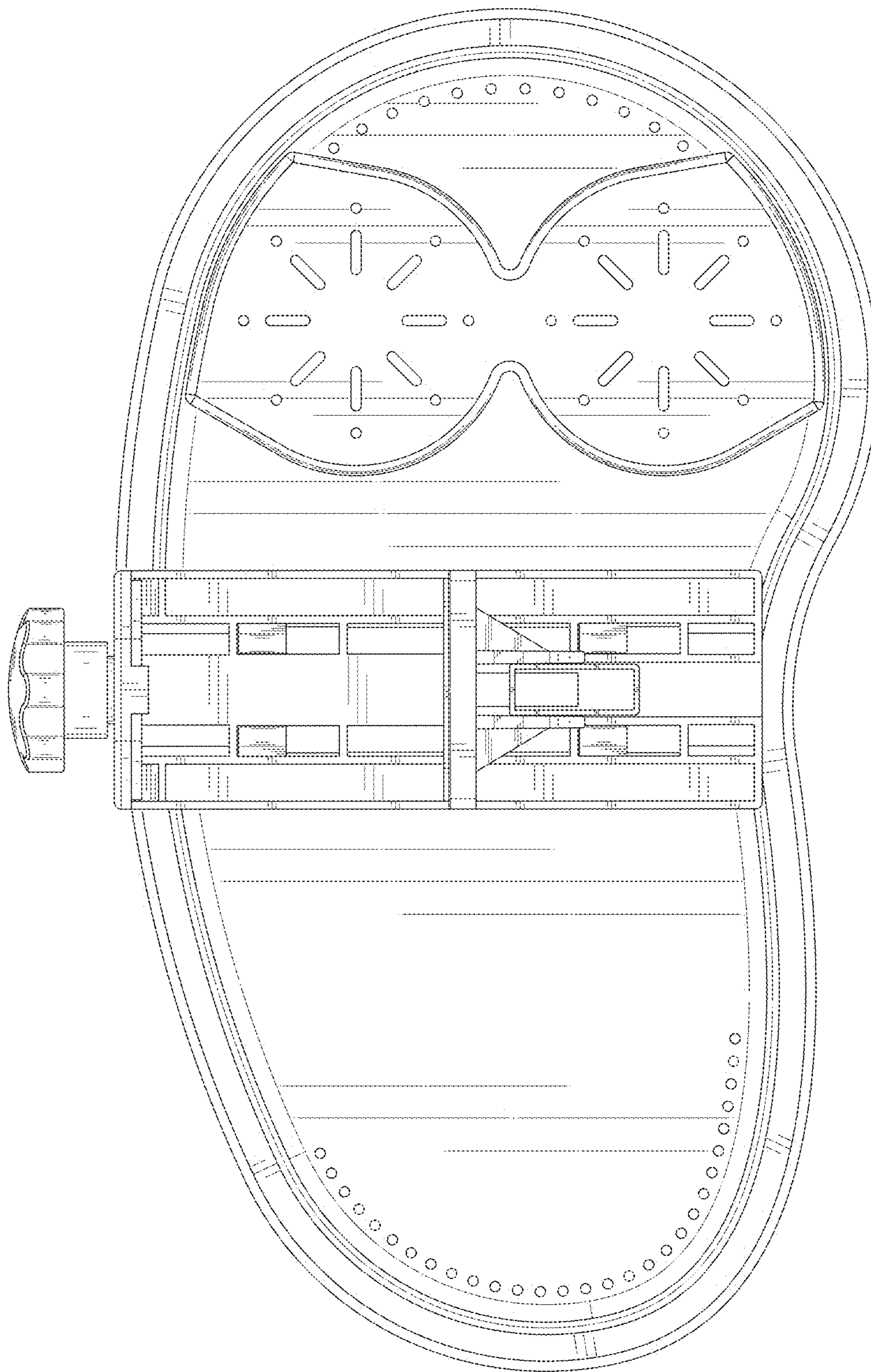


FIG.4

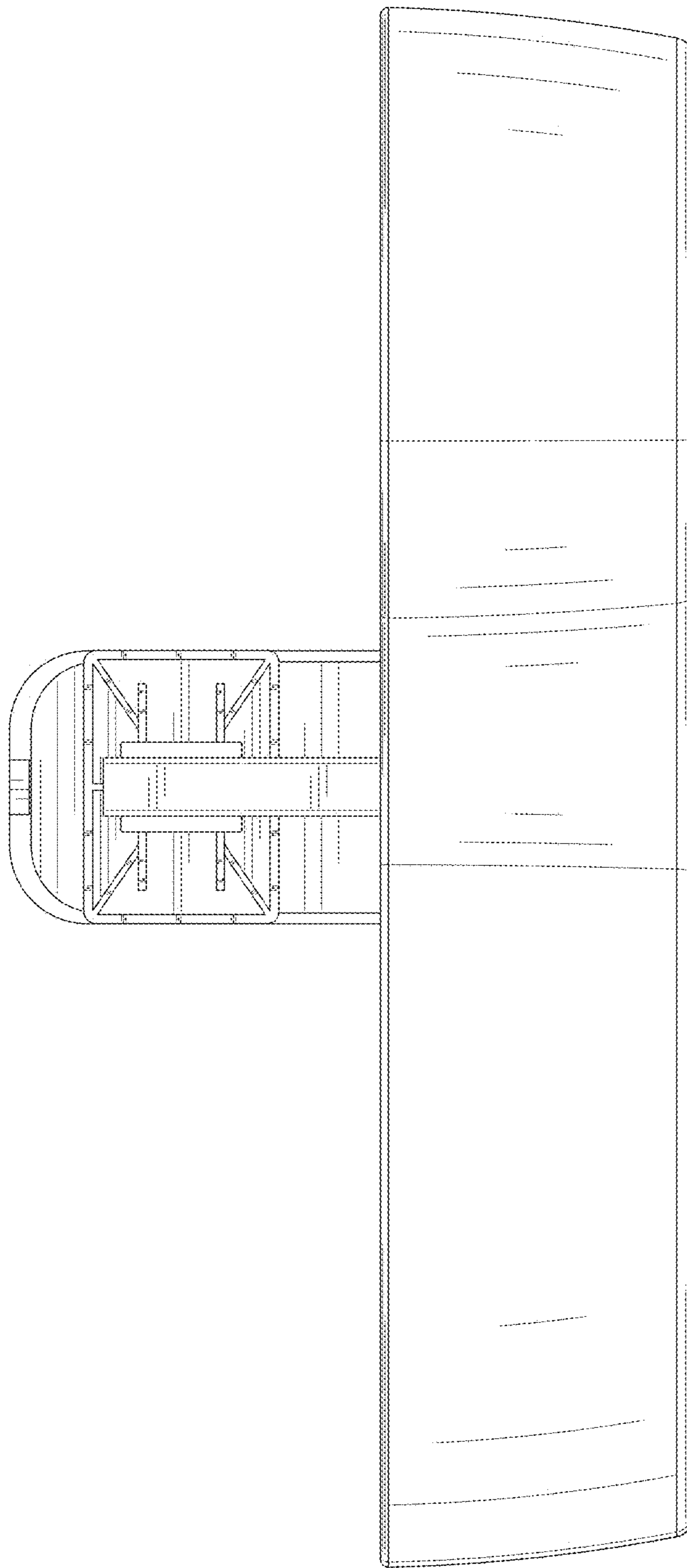


FIG.5

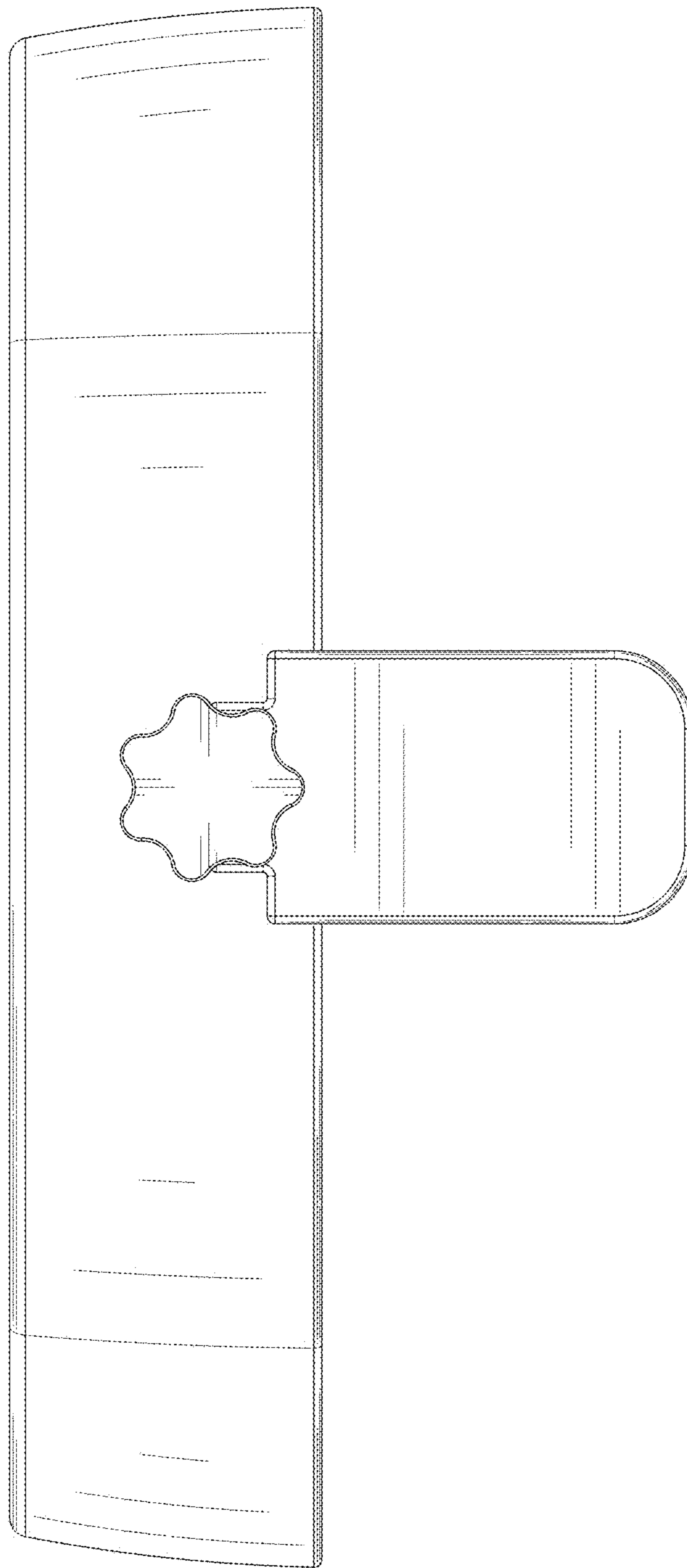


FIG.6

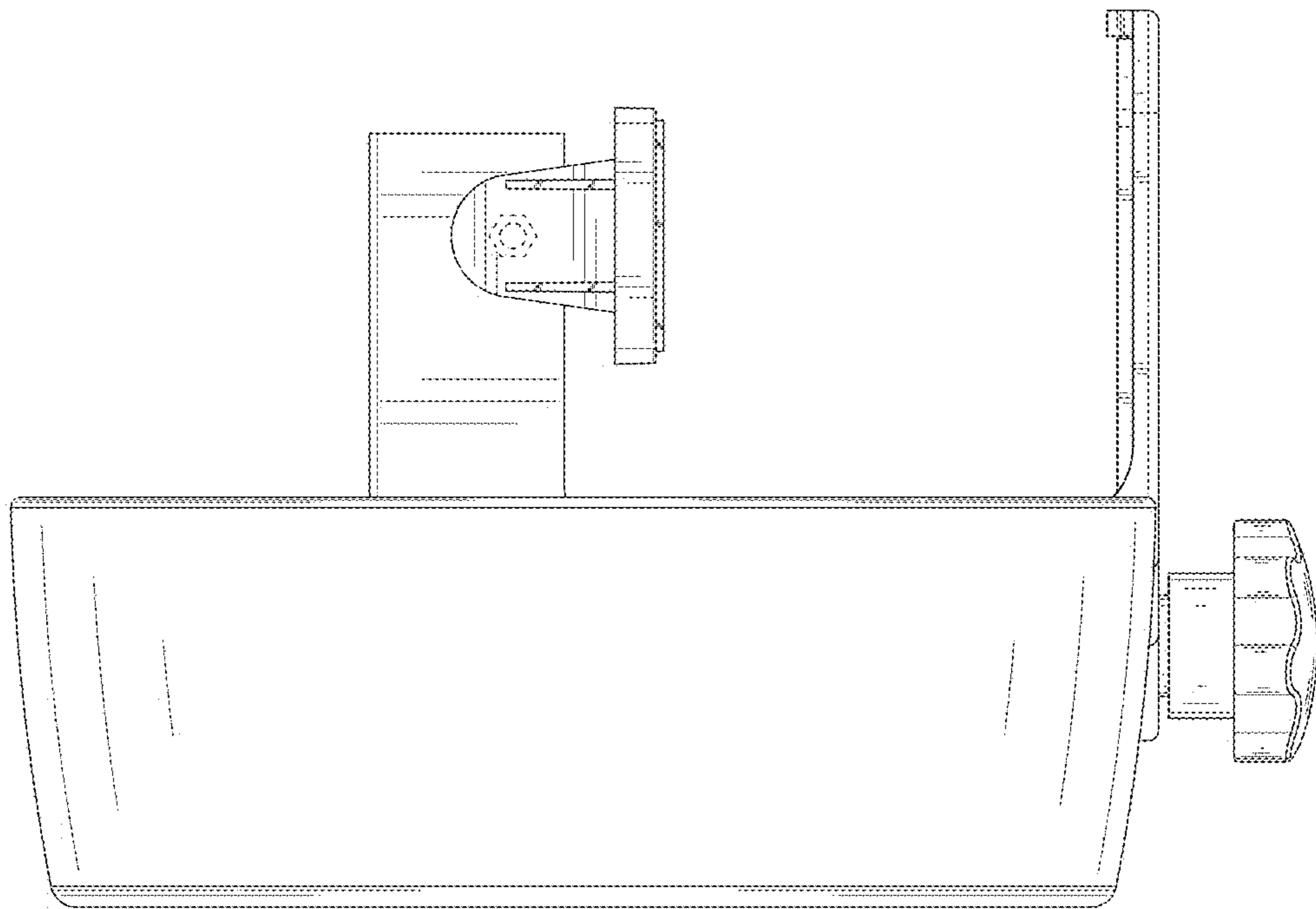


FIG. 7

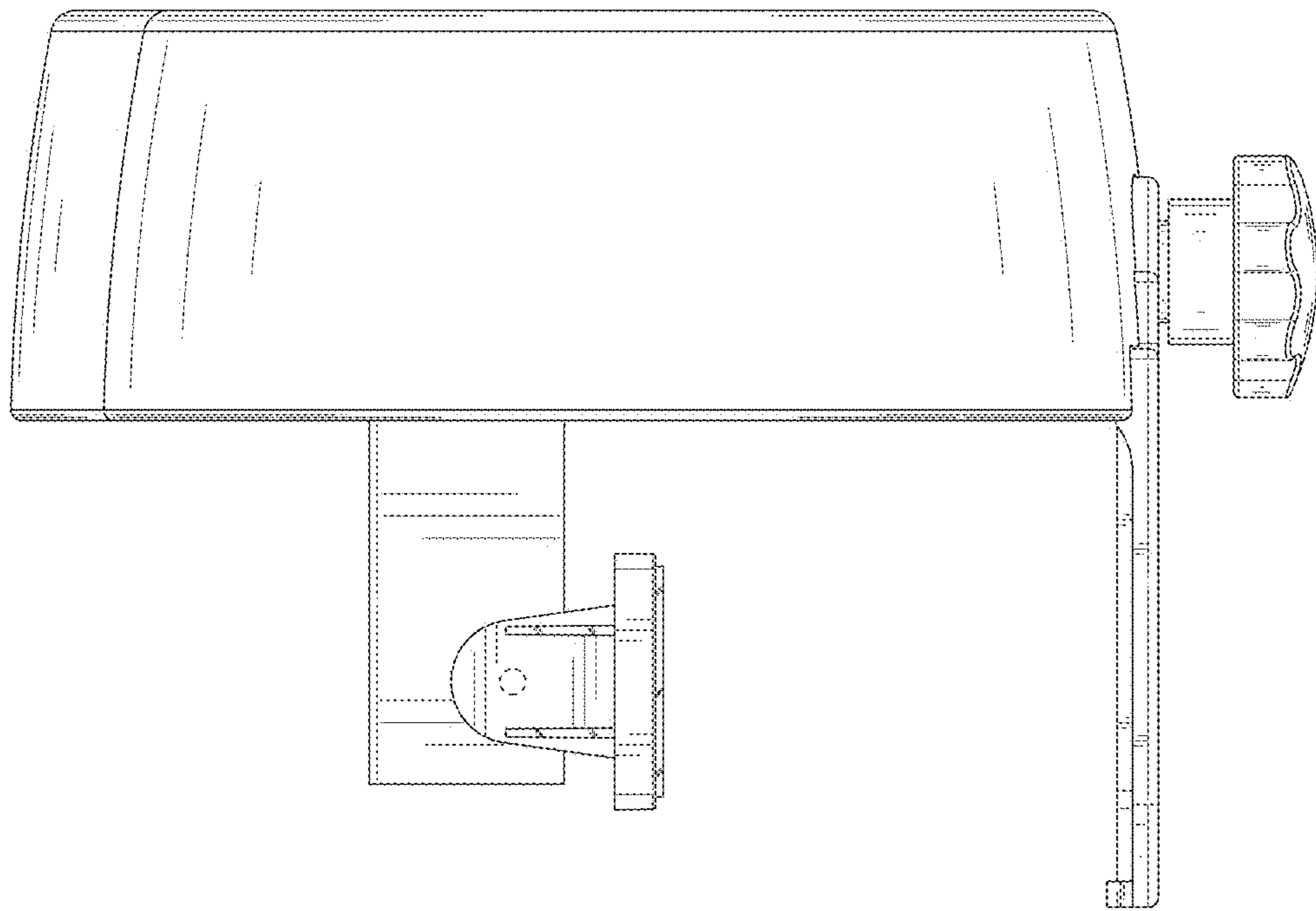


FIG. 8