



US00D979975S

(12) **United States Design Patent**  
**Huang**

(10) **Patent No.:** **US D979,975 S**  
(45) **Date of Patent:** **\*\* Mar. 7, 2023**

- (54) **WRAP DISPENSER**
- (71) Applicant: **Bodwin Brothers LLC**, Taunton, MA (US)
- (72) Inventor: **Lei Huang**, Shanghai (CN)
- (\*\*) Term: **15 Years**
- (21) Appl. No.: **29/815,464**
- (22) Filed: **Nov. 15, 2021**
- (51) **LOC (14) Cl.** ..... **20-02**
- (52) **U.S. Cl.**  
USPC ..... **D6/520**
- (58) **Field of Classification Search**  
USPC ..... D6/515–523, 672; D9/307, 521, 529, D9/419, 420; D3/20, 301, 201, 304; D34/10; D19/67, 134; D7/601, 631, 632  
CPC .... A47F 7/021; A47F 5/05; A47F 7/00; A47F 1/126; A47F 7/163; A47F 13/08; A47K 10/40; A47K 10/3836; A47K 10/16; A47K 2010/3266; A47K 10/42; A47K 10/426; B66D 1/7442; B65D 85/00; B65D 81/00; B65D 81/22; B65D 83/0805  
See application file for complete search history.

(56) **References Cited**

**U.S. PATENT DOCUMENTS**

1,951,413	A *	3/1934	Hope .....	A47K 10/426	221/48
D162,809	S *	4/1951	Gay .....	D27/176	
D201,042	S *	5/1965	Johannes .....	D6/522	
D201,912	S *	8/1965	Shopkins .....	D6/520	
D219,168	S *	11/1970	Chase .....	D6/520	
D342,174	S *	12/1993	Lo .....	D6/519	
D342,179	S *	12/1993	Owens, Jr. ....	D6/561	
D357,377	S	4/1995	Manu et al.		
D364,298	S *	11/1995	Phifer .....	D6/515	
D392,482	S *	3/1998	Seenath .....	D9/418	
D421,863	S *	3/2000	Tetreault .....	D6/657	
D437,090	S *	1/2001	Lang .....	D28/66	

D453,265	S	2/2002	Way	
D471,705	S	3/2003	Way	
D474,928	S *	5/2003	Miller .....	D6/520
D523,267	S *	6/2006	Mays-Hobbs .....	D6/518
D530,947	S *	10/2006	Garcia-Elste .....	D6/520
D556,483	S *	12/2007	Voelker .....	D6/520
D645,220	S *	9/2011	Yang .....	D34/10
D670,517	S *	11/2012	Murphy .....	D6/515
D681,378	S *	5/2013	Murphy .....	D6/515
D681,986	S *	5/2013	Murphy .....	D6/515
D683,986	S *	6/2013	Murphy .....	D6/515
D686,842	S *	7/2013	Murphy .....	D6/515
D686,843	S *	7/2013	Murphy .....	D6/515
D731,808	S *	6/2015	Hazem .....	D6/518
D787,342	S *	5/2017	Romito .....	D9/730
D815,522	S	4/2018	Vegliante	

(Continued)

**OTHER PUBLICATIONS**

Amazon.com, SpaceAid WrapNeat 2 in 1 Wrap Organizer with Cutter and Labels, Nov. 12, 2021, <https://www.amazon.com/SpaceAid-WrapNeat-Dispenser-Organizer-Compatible/dp/B09FPJLJF9/> (Year: 2021).\*

*Primary Examiner* — Nathan M Johnston  
(74) *Attorney, Agent, or Firm* — Whitewood Law PLLC

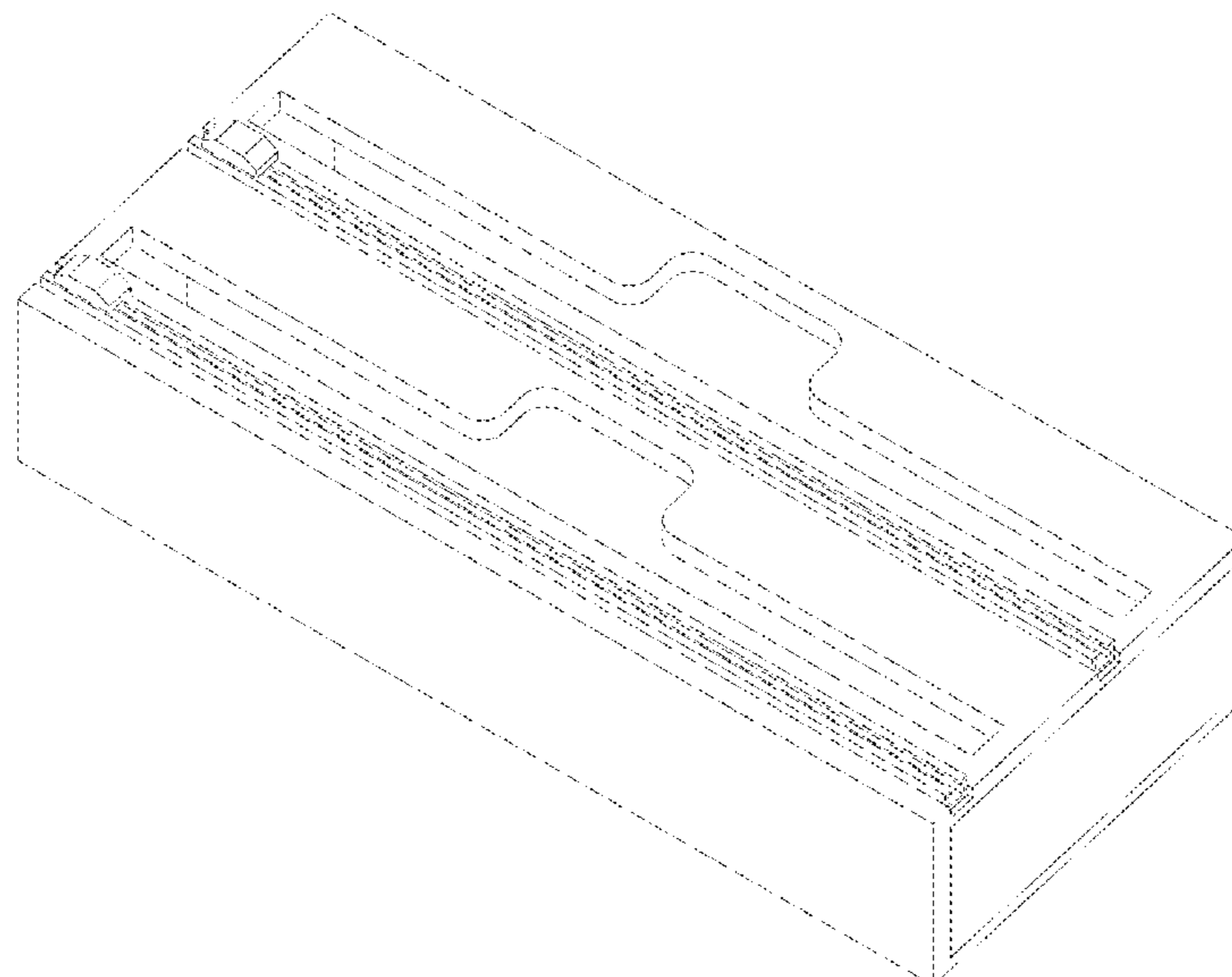
(57) **CLAIM**

What is claimed is an ornamental design for a wrap dispenser, as shown.

**DESCRIPTION**

FIG. 1 is a perspective view of a wrap dispenser showing my new design;  
FIG. 2 is a front view thereof;  
FIG. 3 is a rear view thereof;  
FIG. 4 is a left side elevational view thereof;  
FIG. 5 is a right side elevational view thereof;  
FIG. 6 is a top plan view thereof; and,  
FIG. 7 is a bottom plan view thereof.

**1 Claim, 7 Drawing Sheets**



(56)

**References Cited**

U.S. PATENT DOCUMENTS

D839,022 S \* 1/2019 Jones ..... D6/520  
2003/0071100 A1 \* 4/2003 Miller ..... A47K 10/38  
225/38

\* cited by examiner

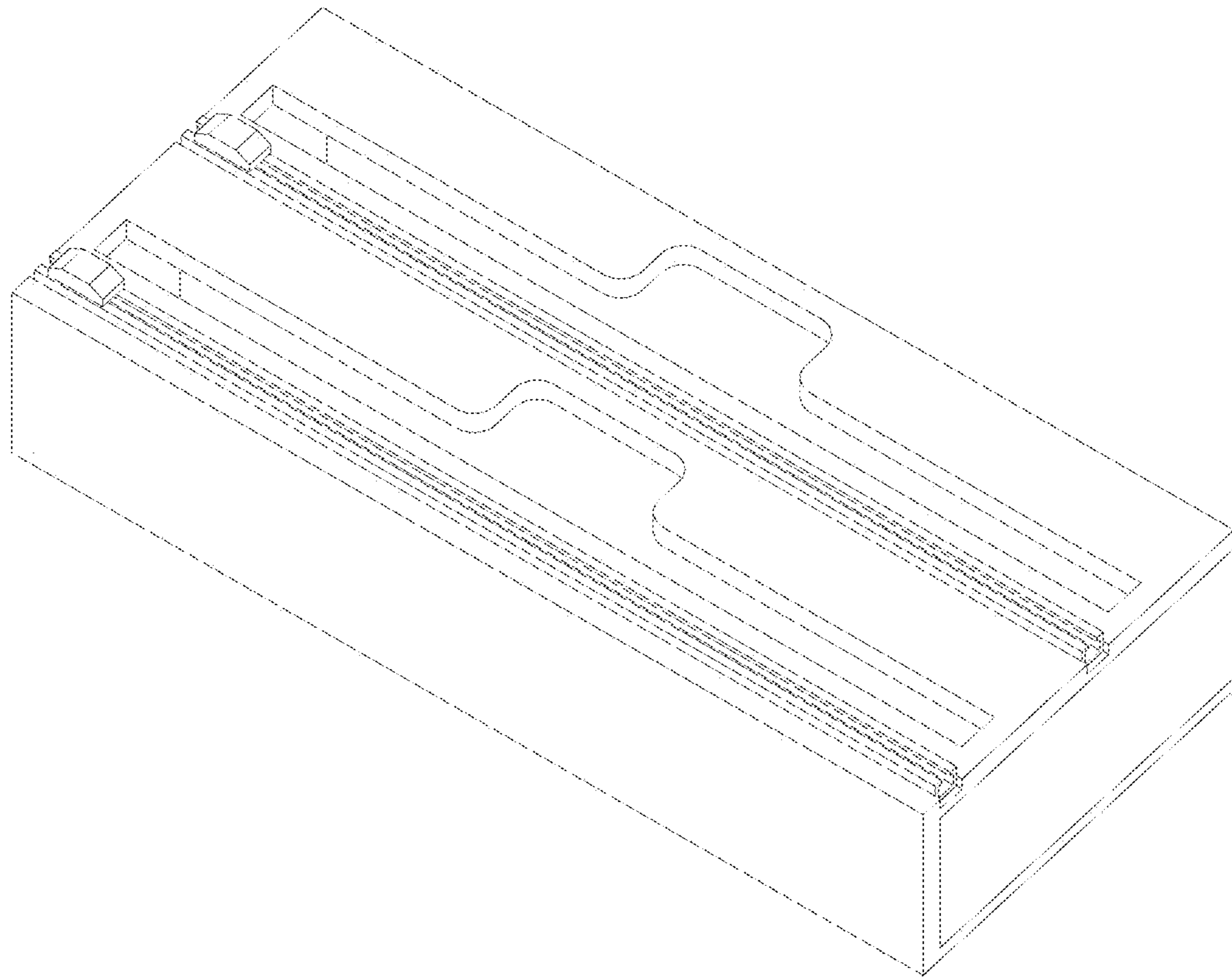


FIG. 1



**FIG. 2**



FIG. 3

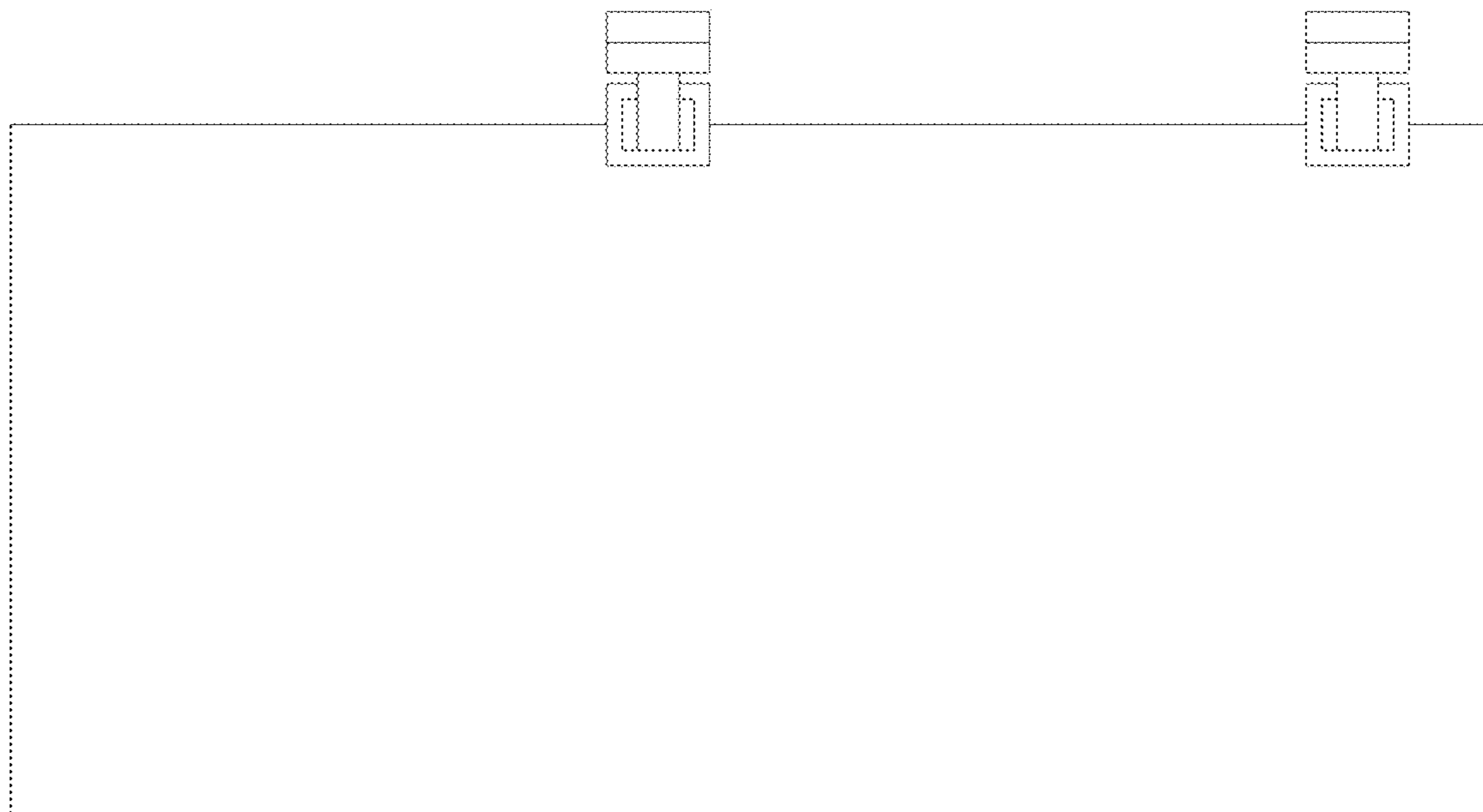


FIG. 4

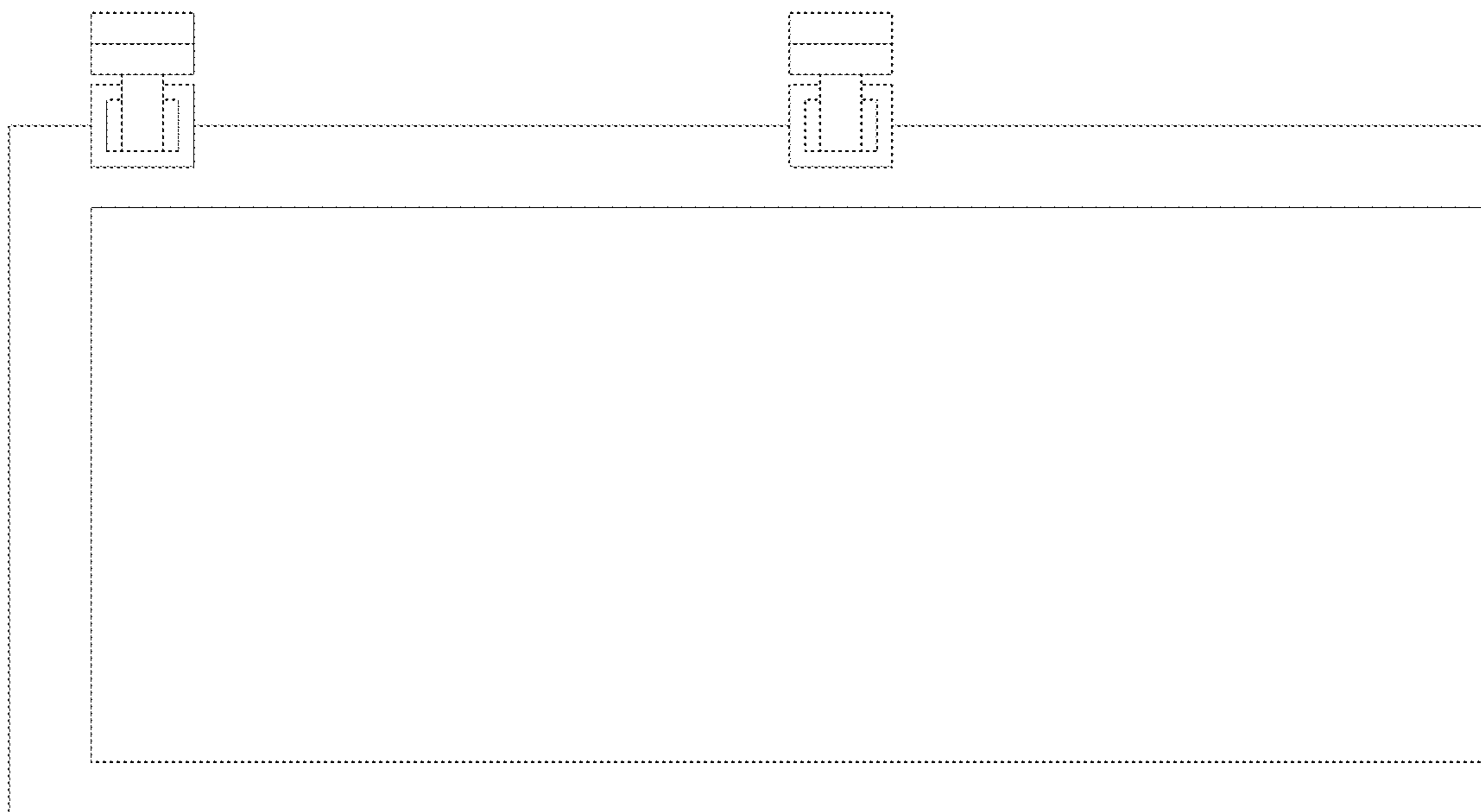


FIG. 5

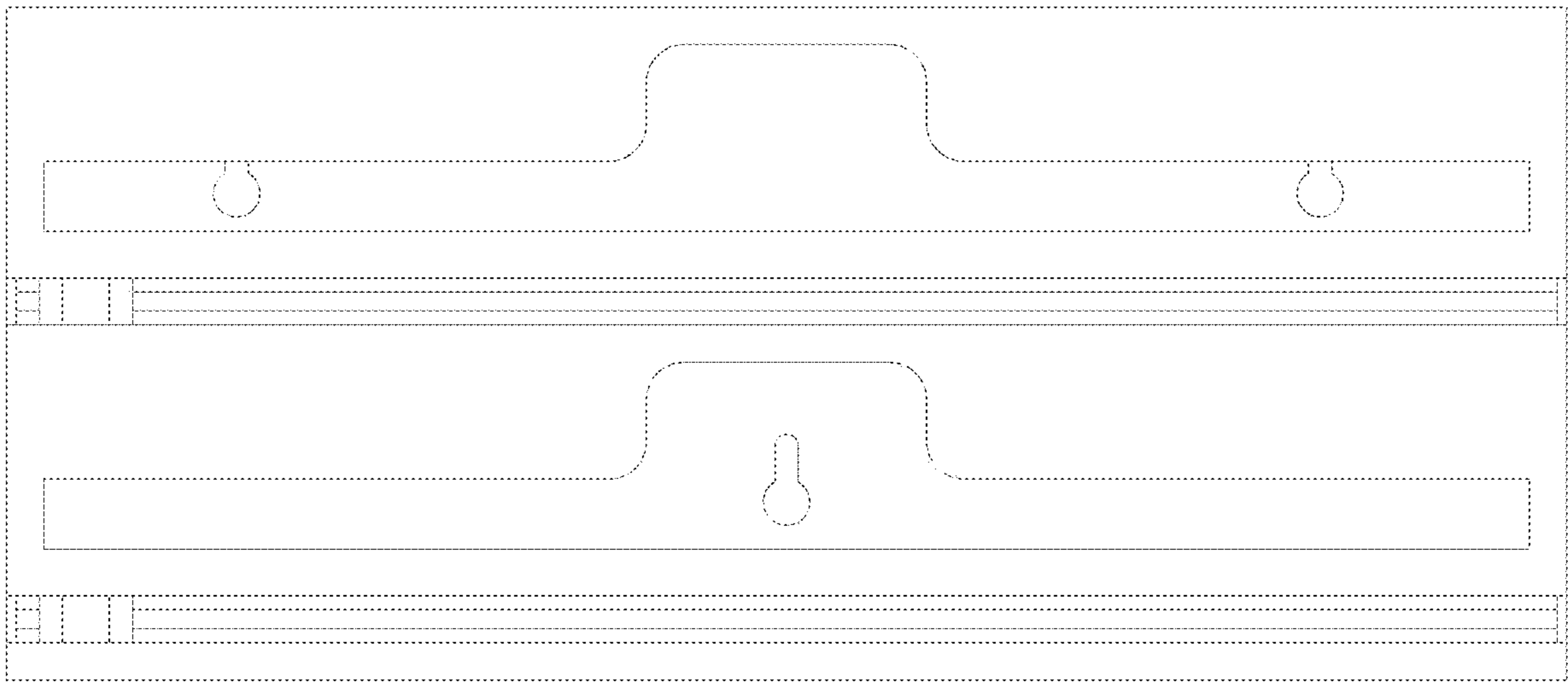


FIG. 6



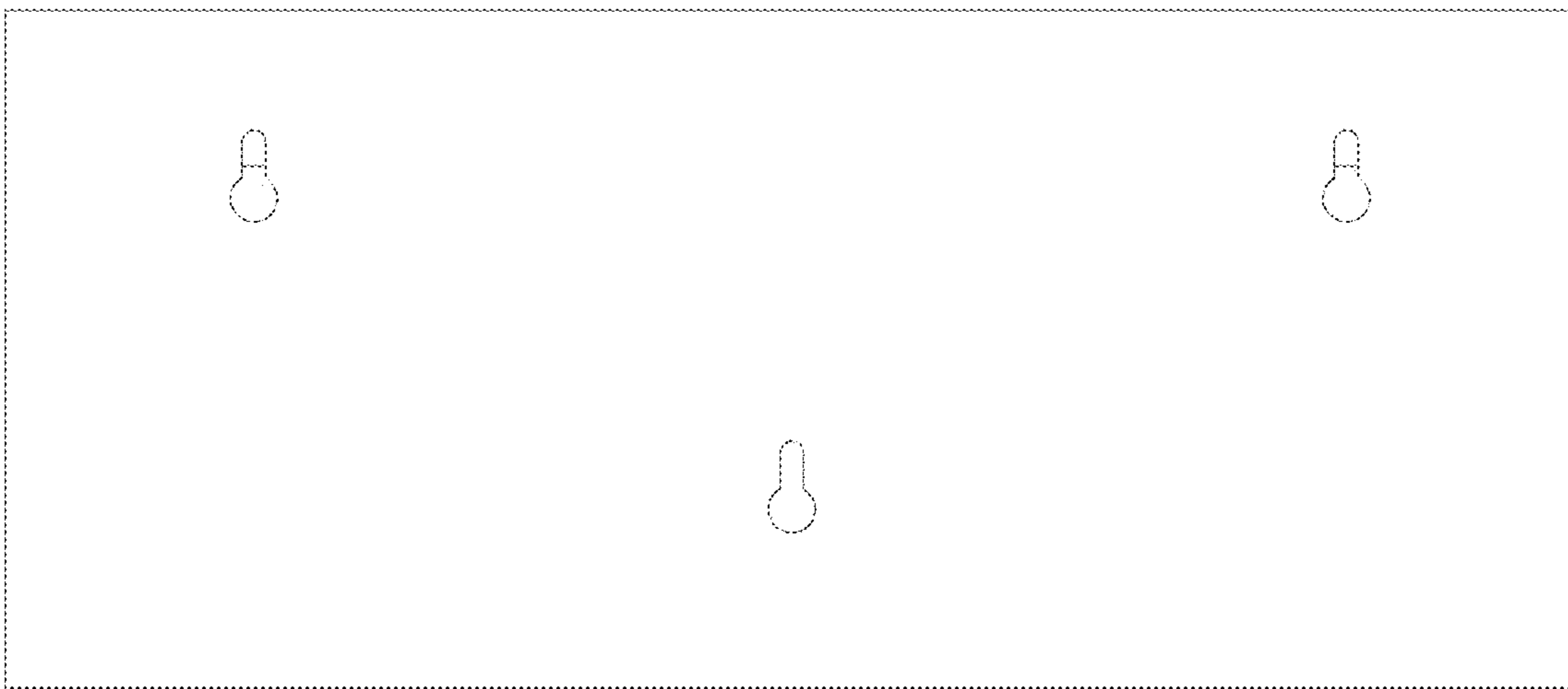


FIG. 7