



US00D979970S

(12) **United States Design Patent** (10) **Patent No.:** **US D979,970 S**
Lin (45) **Date of Patent:** **** Mar. 7, 2023**

(54) **CHAIR FRAME AND LEGS** 2,757,715 A * 8/1956 Hendrickson A47C 4/24
297/58
(71) Applicant: **Zhuhai Shichang Metals Ltd., Zhuhai** D178,900 S * 10/1956 O'Neill D6/369
(CN) D186,505 S * 11/1959 King 297/46
3,001,816 A * 9/1961 Clarin A47C 4/24
(72) Inventor: **Jin Hong Lin, Zhuhai (CN)** 3,094,357 A * 6/1963 Shwayder A47C 7/16
297/452.1

(73) Assignee: **Zhuhai Shichang Metals Ltd., Zhuhai**
(CN)

(Continued)

(**) Term: **15 Years**

(21) Appl. No.: **29/723,951**

(22) Filed: **Feb. 12, 2020**

(51) **LOC (14) Cl.** **06-01**

(52) **U.S. Cl.**
USPC **D6/368**

(58) **Field of Classification Search**
USPC D6/366, 368, 374, 380, 339, 716.4;
D25/64
CPC A47C 3/04; A47C 4/24; A47C 4/28; A47C
4/38; A47C 7/282; H01J 49/42; H01J
49/063; H01J 49/4215; H01J 49/4255;
Y10T 403/7171; Y10T 403/7194; A47B
83/02; A47D 1/004; A47D 1/0081; A47D
1/002; A47D 1/0085

See application file for complete search history.

(56) **References Cited**

U.S. PATENT DOCUMENTS

1,873,768 A * 8/1932 Kux A47C 4/06
297/56
D107,545 S * 12/1937 O'Connor D6/368
2,364,093 A * 12/1944 O'Connor A47C 7/40
297/452.21
2,364,647 A * 12/1944 O'Connor A47C 4/24
297/452.33
2,753,922 A * 7/1956 Grimland A47C 4/24
297/58

FOREIGN PATENT DOCUMENTS

CA 168023 S 10/2017
CA 168024 S 10/2017

Primary Examiner — Kevin K Rudzinski

Assistant Examiner — Paul D Bohannon

(74) *Attorney, Agent, or Firm* — Luedeka Neely Group
PC

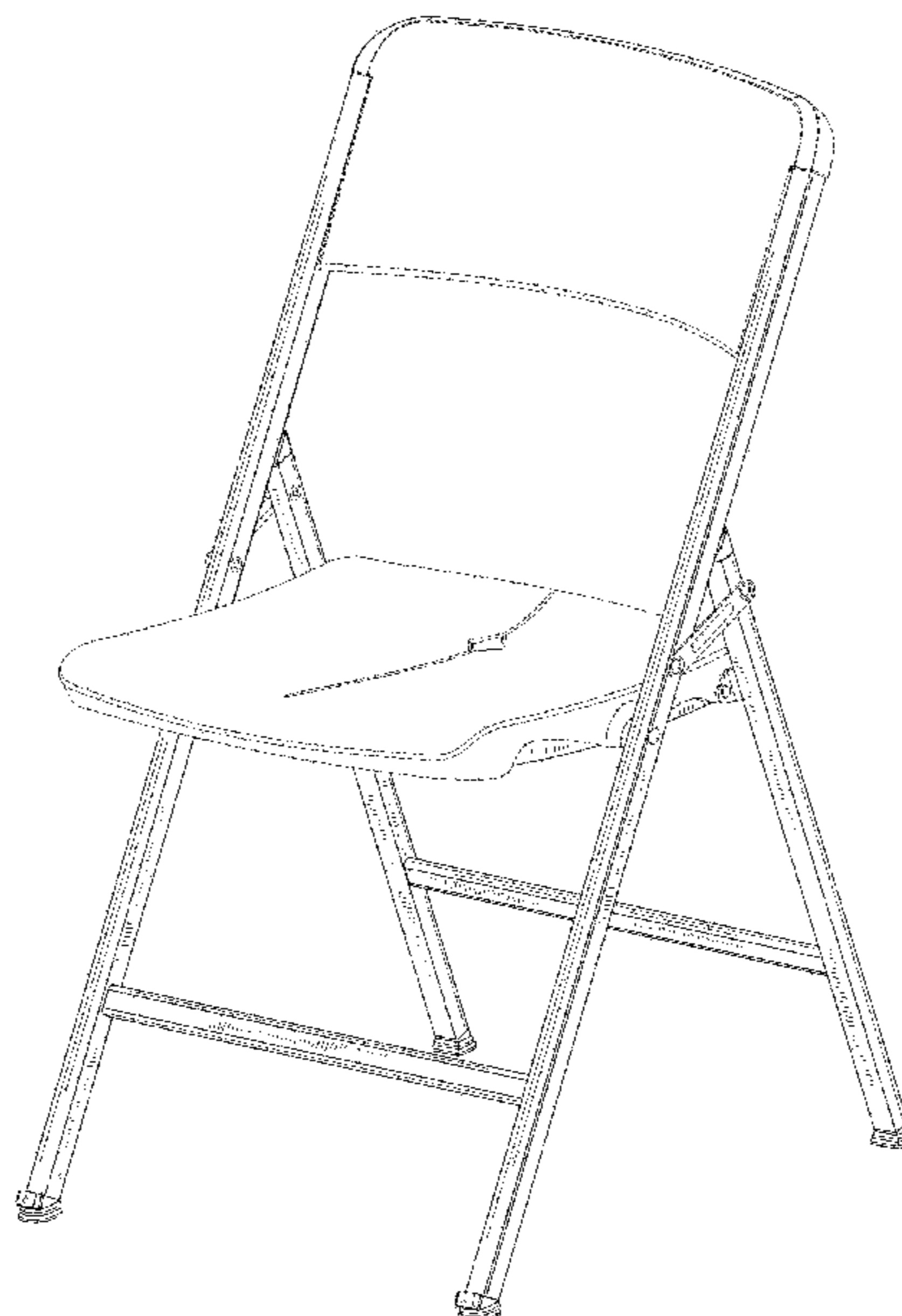
(57) **CLAIM**

The ornamental design for a chair frame and legs, as shown and described.

DESCRIPTION

FIG. 1 is a top perspective view of the chair frame and legs; FIG. 2 is a bottom perspective view of the chair frame and legs; FIG. 3 is a right side elevation view of the chair frame and legs; FIG. 4 is a left side elevation view of the chair frame and legs; FIG. 5 is a front elevation view of the chair frame and legs; FIG. 6 is a rear elevation view of the chair frame and legs; FIG. 7 is a top plan view of the chair frame and legs; and, FIG. 8 is a bottom plan view of the chair frame and legs. The broken lines shown in the figures are included for the purpose of illustrating environment only and form no part of the claimed design.

1 Claim, 6 Drawing Sheets



(56)

References Cited

U.S. PATENT DOCUMENTS

6,481,789	B1 *	11/2002	Ambasz	A47C 1/121 297/354.11
7,753,439	B2 *	7/2010	Akkad	A47C 4/10 297/23
D647,718	S *	11/2011	Chen	D6/368
D648,554	S *	11/2011	Smith	D6/368
D667,649	S *	9/2012	Waite	A47C 4/22 D6/368
D787,217	S	5/2017	Lin	
D787,849	S	5/2017	Lin	
D793,113	S *	8/2017	Lin	D6/368
D793,139	S	8/2017	Lin	
D794,372	S	8/2017	Lin	
D801,099	S *	10/2017	Farber	D6/716
D802,954	S	11/2017	Lin	
D811,143	S	2/2018	Chavarria	
D811,790	S	3/2018	Chavarria	
D811,791	S	3/2018	Chavarria	
D819,380	S	6/2018	Chavarria	
D823,623	S	7/2018	Chavarria	
10,959,526	B2 *	3/2021	Leng	A47C 4/10
2003/0168894	A1 *	9/2003	Lin	A47C 4/48 297/55
2008/0284215	A1 *	11/2008	Stauber	A47C 3/045 297/16.2
2009/0146467	A1 *	6/2009	Waite	A47C 4/20 297/440.2
2010/0156150	A1 *	6/2010	Smith	A47C 7/002 297/55
2010/0156155	A1 *	6/2010	Smith	A47C 1/124 297/239
2015/0201759	A1 *	7/2015	Winters	A47C 4/04 297/48

* cited by examiner

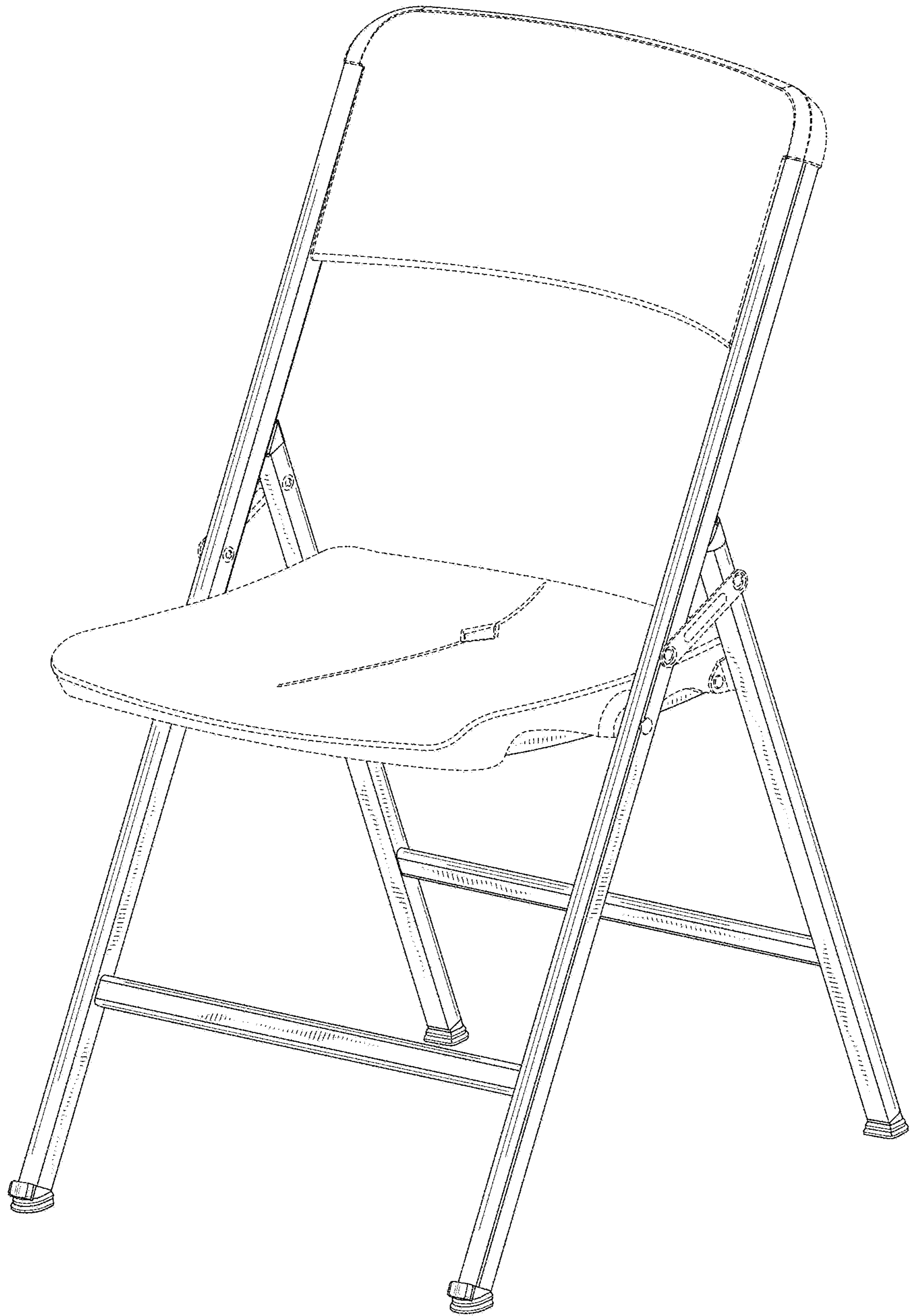


FIG. 1

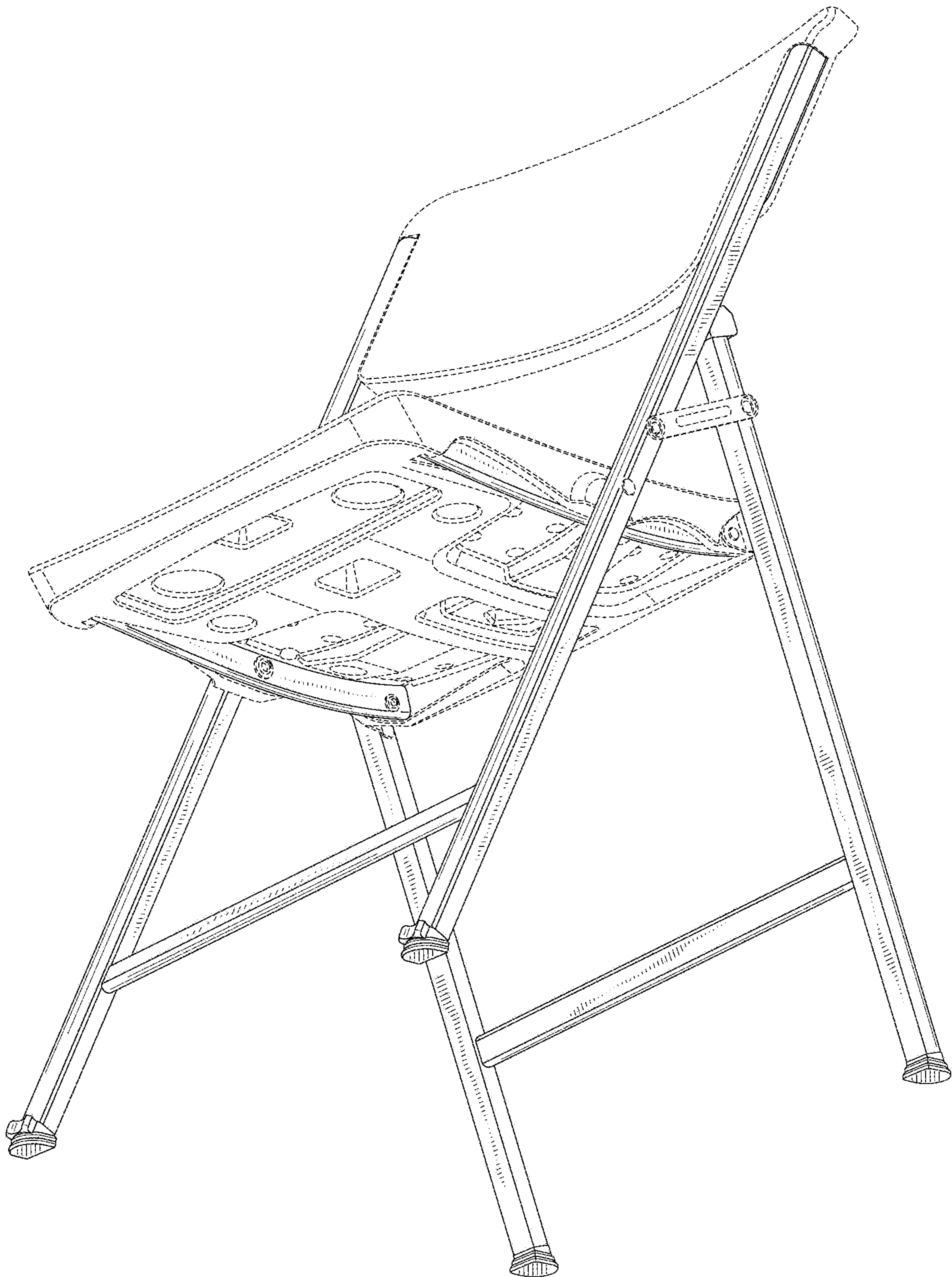


FIG. 2

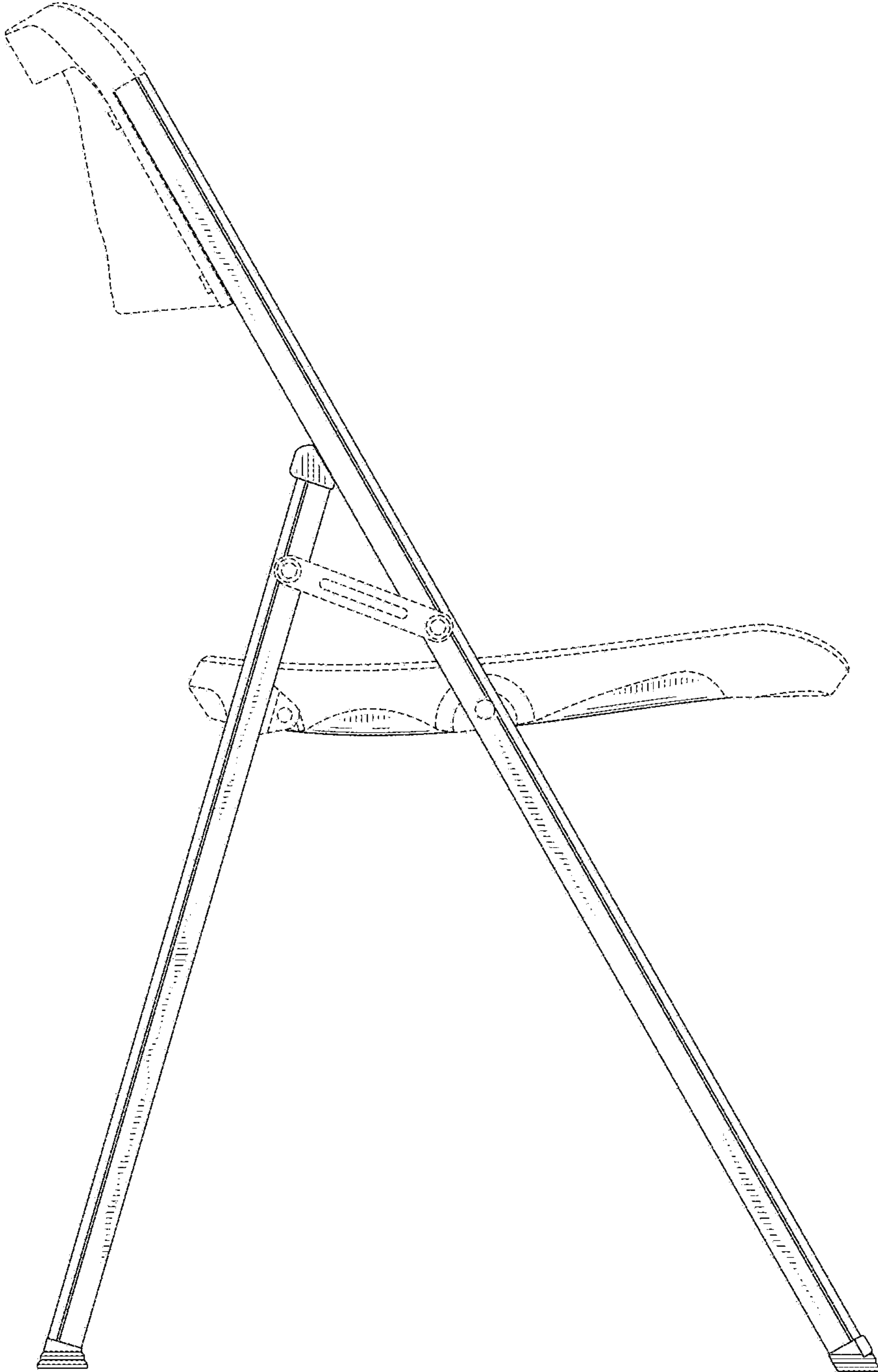


FIG. 3

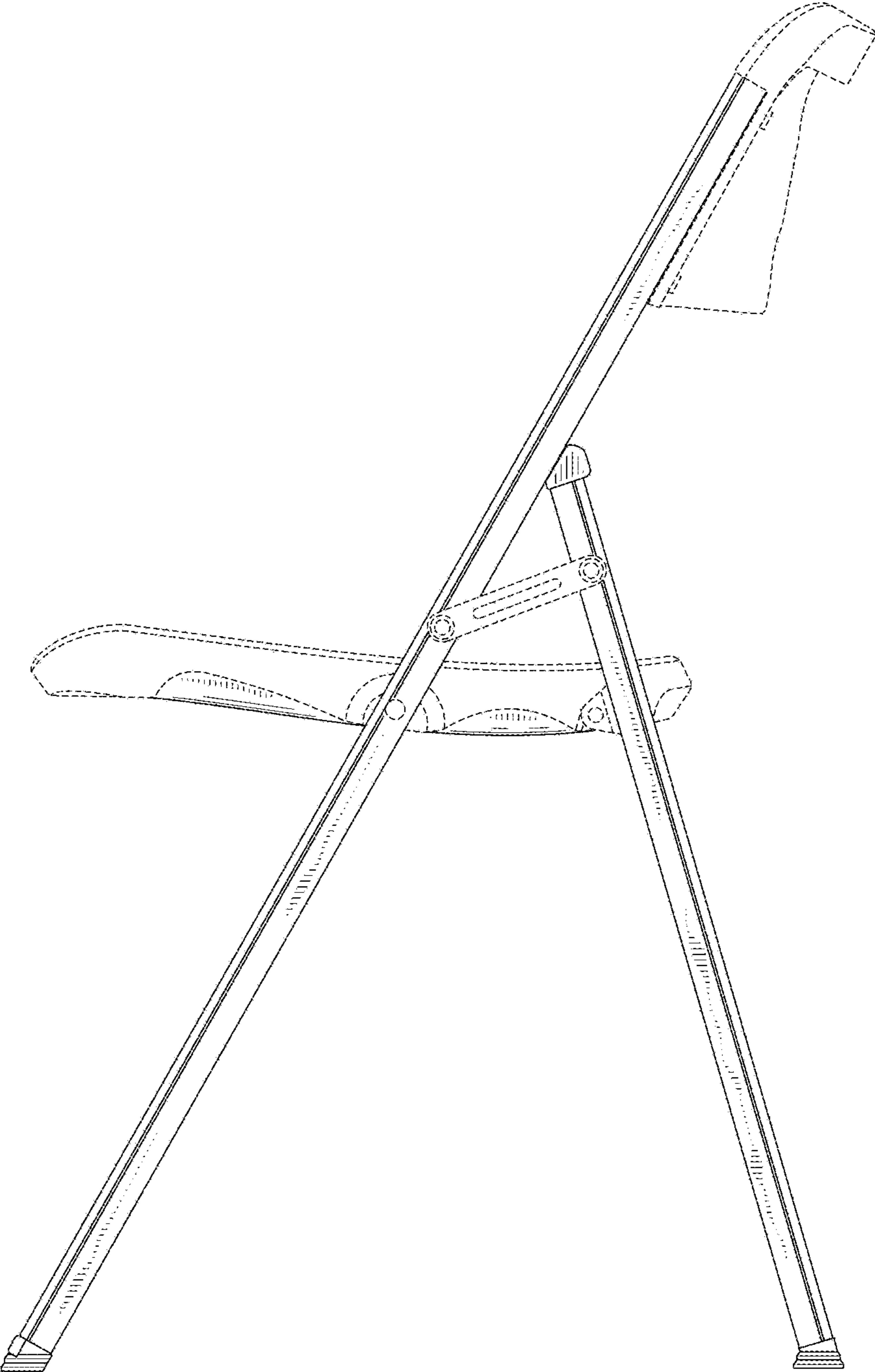


FIG. 4

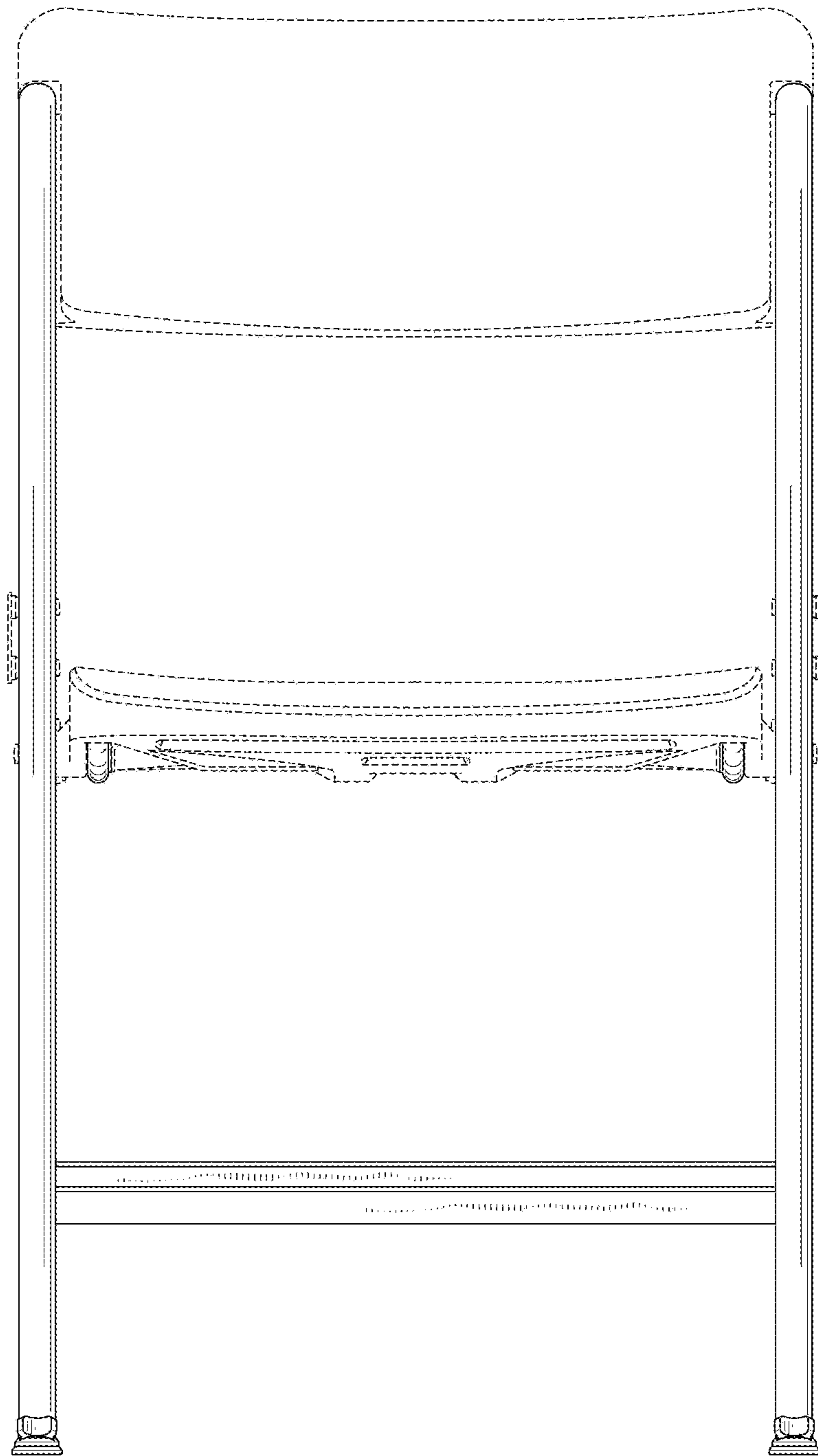


FIG. 5

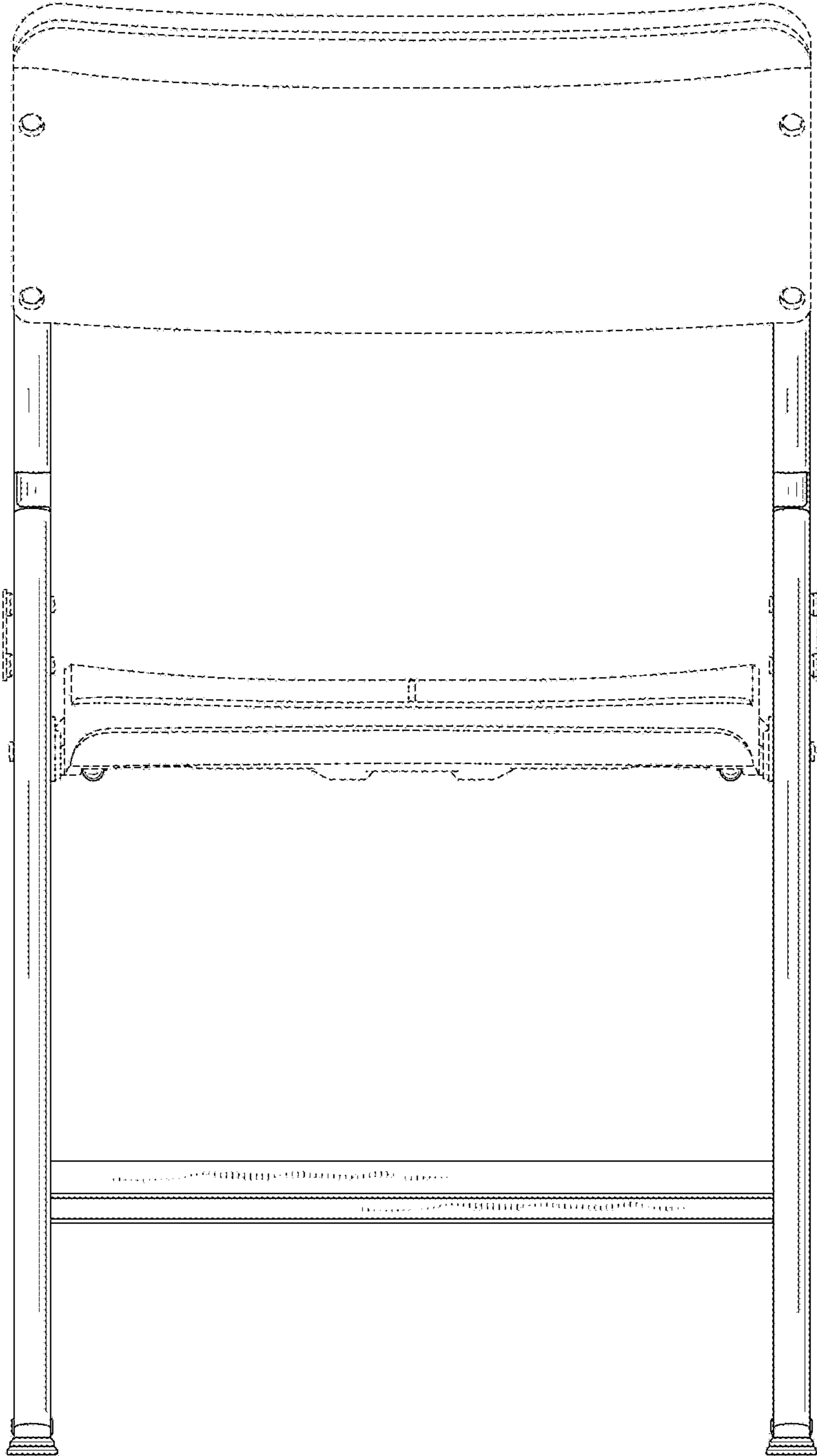


FIG. 6