

US00D979967S

(12) **United States Design Patent**
Wu

(10) **Patent No.:** **US D979,967 S**
(45) **Date of Patent:** **** Mar. 7, 2023**

(54) **CHAIR**

(71) Applicant: **Comfort Office Furniture Co., Ltd**
Guangdong, Guangzhou (CN)

(72) Inventor: **Yao-Chuan Wu, Chiayi Hsien (TW)**

(73) Assignee: **COMFORT OFFICE FURNITURE**
CO., LTD GUANGDONG, Guangzhou
(CN)

(**) Term: **15 Years**

(21) Appl. No.: **29/805,120**

(22) Filed: **Aug. 25, 2021**

(30) **Foreign Application Priority Data**

Apr. 29, 2021 (CN) 202130256320.4

(51) **LOC (14) Cl.** **06-01**

(52) **U.S. Cl.**
USPC **D6/366**

(58) **Field of Classification Search**
USPC D6/334-336, 338, 356, 364-367, 375,
D6/379, 380, 716-716.5; D21/521, 695
CPC A47C 7/004; A47C 7/006; A47C 7/18;
A47C 7/24; A47C 7/38; A47C 7/40;
B60N 2/02; B60N 2/20; B60N 2/22
See application file for complete search history.

(56) **References Cited**

U.S. PATENT DOCUMENTS

D585,205 S * 1/2009 Wen D6/366
7,568,768 B1 * 8/2009 Tsai A47C 7/38
297/452.56
D641,572 S * 7/2011 Tsai D6/716.4
D673,400 S * 1/2013 Chen D6/716.4
D782,239 S * 3/2017 Tsai D6/716.4
D844,358 S * 4/2019 Chadwick D6/716.4

D912,418 S * 3/2021 Chen D6/366
D927,908 S * 8/2021 Chen D6/716.4
2011/0001347 A1 * 1/2011 Choi A47C 7/405
156/60
2013/0154314 A1 * 6/2013 Romero A47C 7/46
297/68
2017/0042333 A1 * 2/2017 Tsai A47C 7/405
2018/0103765 A1 * 4/2018 Chen A47C 7/38
2018/0235371 A1 * 8/2018 Chen A47C 7/405

OTHER PUBLICATIONS

Ergohuman Luxury Range, available in ergohuman.com.au, site visited Dec. 15, 2022, URL:https://www.ergohuman.com.au/ergohuman-luxury-ergonomic-office-chair/ (Year: 2022).
M5 Gaming Chair, available in Amazon.com, first available date of Nov. 22, 2021, site visited on Dec. 15, 2022, URL:https://www.amazon.com/MAVIX-M5-Gaming-Chair-Black/dp/B09MDWJX1Y/ (Year: 2021).*

(Continued)

Primary Examiner — Mary Ann Calabrese
Assistant Examiner — Mark David Wolfley
(74) *Attorney, Agent, or Firm* — IPro, PLLC

(57) **CLAIM**

The ornamental design for a chair, as shown and described.

DESCRIPTION

FIG. 1 is a front, left, top perspective view of a chair showing my new design;
FIG. 2 is a rear, right, top perspective view thereof;
FIG. 3 is a front view thereof;
FIG. 4 is a rear view thereof;
FIG. 5 is a left side view thereof;
FIG. 6 is a right side view thereof;
FIG. 7 is a top view thereof; and,
FIG. 8 is a bottom view thereof.

1 Claim, 8 Drawing Sheets



(56)

References Cited

OTHER PUBLICATIONS

Workpro 12000, available in officedepot.com, site visited on Dec. 15, 2022, URL:<https://www.officedepot.com/a/products/6356490/WorkPro-12000-Series-Ergonomic-Mesh-High/> (Year: 2022).*

* cited by examiner



FIG. 1



FIG. 2



FIG. 3



FIG. 4



FIG. 5



FIG. 6



FIG. 7

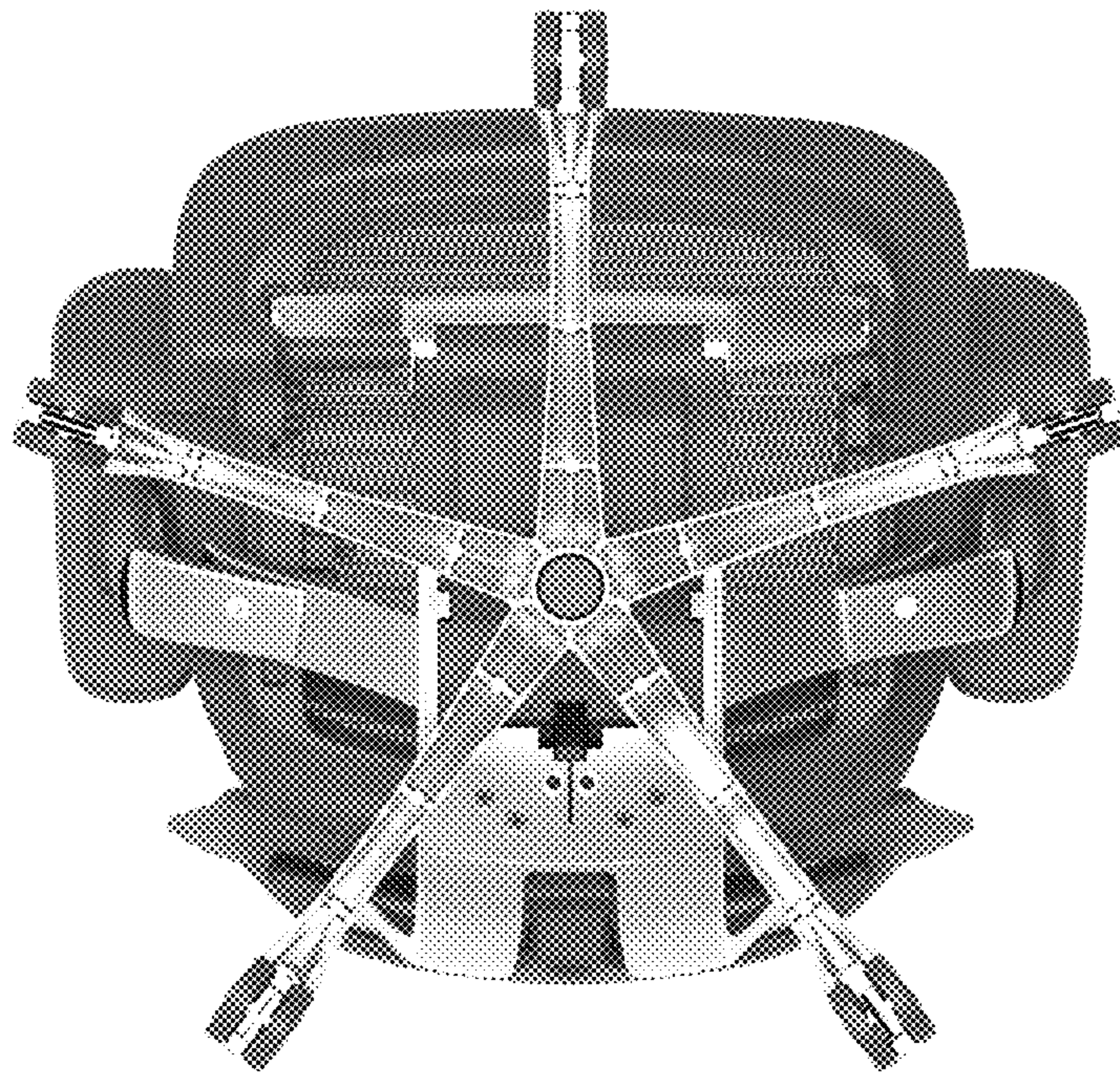


FIG. 8