



US00D979965S

(12) **United States Design Patent**
Mehaffey

(10) **Patent No.:** **US D979,965 S**
(45) **Date of Patent:** **** Mar. 7, 2023**

(54) **PORTION OF A CHAIR**

(71) Applicant: **HNI Technologies Inc.**, Muscatine, IA (US)

(72) Inventor: **David Mehaffey**, Muscatine, IA (US)

(73) Assignee: **HNI Technologies Inc.**, Muscatine, IA (US)

(**) Term: **15 Years**

(21) Appl. No.: **29/750,395**

(22) Filed: **Sep. 14, 2020**

(51) **LOC (14) Cl.** **06-01**

(52) **U.S. Cl.**
USPC **D6/366**

(58) **Field of Classification Search**

USPC D6/356, 364, 365, 366, 367, 379, 716,
D6/716.4, 716.7, 360, 380; D21/521, 695
CPC A47C 1/03294; A47C 1/034; A47C 1/032;
A47C 1/031; A47C 1/023; A47C 3/029;
A47C 3/027; A47C 3/04; A47C 3/02;
A47C 3/12; A47C 4/03; A47C 4/04;
A47C 5/12; A47C 7/029; A47C 7/02;
A47C 7/18; A47C 7/28; A47C 7/32;
A47C 7/38; A47C 7/40; A47C 7/44;
A47C 7/46; A47C 7/54; A47C 7/425;
A47C 7/445; A47C 31/023; A47C 31/04;
B60R 2/0284; B60R 2/062; B60R 22/001;
B60R 22/24; B60R 22/28; B60R 22/58;
B60R 22/64; B60R 22/68; B60R 22/80;
B60R 22/99; B60R 22/245; B60R 22/643;
B60R 22/646; B60R 22/665; B60R
22/686; B60R 22/688; B60R 22/803;
B60R 22/986; B60R 22/914; B60R
22/995; F16B 2/08; F16B 45/00; Y10S
297/01; A47D 13/10

See application file for complete search history.

(56) **References Cited**

U.S. PATENT DOCUMENTS

4,840,426 A * 6/1989 Vogtherr A47C 1/03266
297/303.4
D403,185 S 12/1998 Tseng

D408,182 S 4/1999 Tseng
D413,215 S 8/1999 Mei
D418,316 S * 1/2000 Vogtherr D6/366
D424,845 S 5/2000 Grove
D445,580 S 7/2001 Pennington et al.
D448,955 S 10/2001 Chen
D463,175 S 9/2002 Wu
D468,140 S 1/2003 Tsai
D503,057 S 3/2005 Lee
D535,112 S 1/2007 Bernett et al.
D539,576 S 4/2007 Grove et al.
D547,978 S * 8/2007 Machael D6/716

(Continued)

Primary Examiner — Kevin K Rudzinski

Assistant Examiner — Paul D Bohannon

(74) *Attorney, Agent, or Firm* — Faegre Drinker Biddle & Reath LLP

(57) **CLAIM**

The ornamental design for a portion of a chair, as shown and described.

DESCRIPTION

FIG. 1 is a front perspective view of a portion of a chair illustrating my new design.

FIG. 2 is a rear perspective view thereof.

FIG. 3 is a front view thereof.

FIG. 4 is a rear view thereof.

FIG. 5 is a left side view thereof.

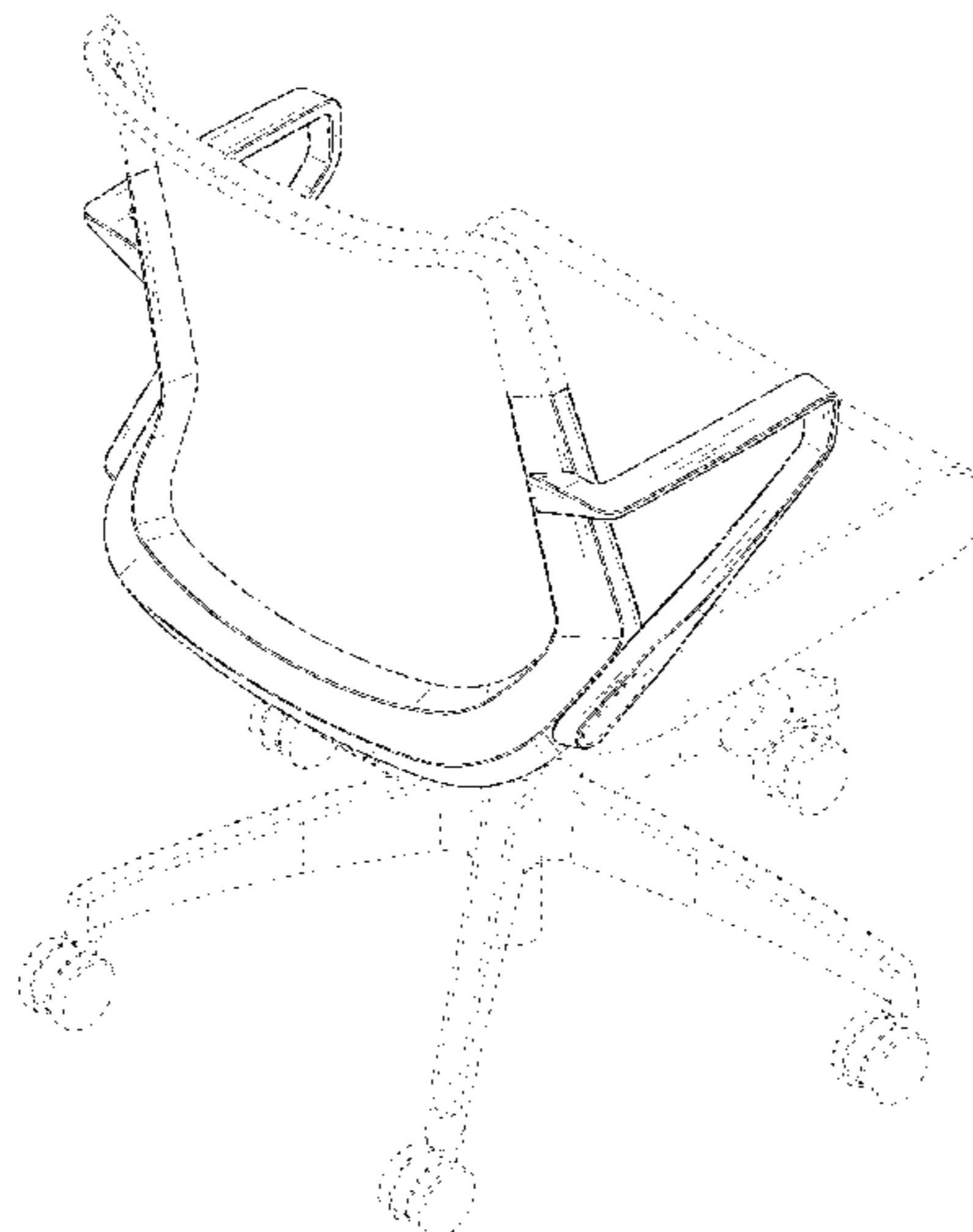
FIG. 6 is a right side view thereof.

FIG. 7 is a top view thereof; and,

FIG. 8 is a bottom view thereof.

Features of the portion of a chair shown as evenly-sized broken lines form no part of the claimed design. Long-short broken lines are boundaries that form no part of the claimed design.

1 Claim, 8 Drawing Sheets



(56)

References Cited

U.S. PATENT DOCUMENTS

D571,568 S 6/2008 Overthun et al.
 D607,653 S 1/2010 Wilkinson et al.
 D611,277 S 3/2010 Zhang
 D637,829 S 5/2011 Citterio
 D647,717 S 11/2011 Zund et al.
 D653,871 S 2/2012 Jakobsen et al.
 D654,709 S 2/2012 Fujita
 D660,056 S 5/2012 Diffrient
 D666,436 S 9/2012 Egger
 D671,759 S * 12/2012 Hurford D6/366
 D675,463 S 2/2013 Collinson et al.
 D683,150 S 5/2013 Smith et al.
 D695,537 S * 12/2013 Geelen D6/366
 D701,068 S * 3/2014 Usumoto D6/366
 D705,561 S 5/2014 Massaud
 D710,640 S * 8/2014 Usumoto D6/366
 D718,949 S * 12/2014 Meda D6/366

D728,291 S * 5/2015 Ooki D6/716.4
 D742,674 S 11/2015 Wilkinson et al.
 D751,836 S 3/2016 Izawa
 D755,553 S * 5/2016 Wilkinson D6/366
 D762,996 S * 8/2016 Fancelli D6/366
 D777,494 S * 1/2017 Prestwich D6/716.4
 D782,240 S * 3/2017 Wada D6/716.4
 D793,141 S * 8/2017 Igarashi D6/716.4
 D810,487 S * 2/2018 Kim D6/716.4
 D824,710 S 8/2018 Geelen
 D853,163 S * 7/2019 Kolberg D6/716
 D869,872 S 12/2019 Deevers et al.
 D870,479 S 12/2019 Deevers et al.
 D881,621 S * 4/2020 Jin D6/716.1
 D889,868 S * 7/2020 Guelfo D6/366
 D895,335 S * 9/2020 Oku D6/716.4
 D898,496 S * 10/2020 Huennekens D6/716.4
 D900,496 S * 11/2020 Shen D6/366
 D904,060 S * 12/2020 Chakravarty D6/366
 D937,594 S * 12/2021 Tu D6/366

* cited by examiner

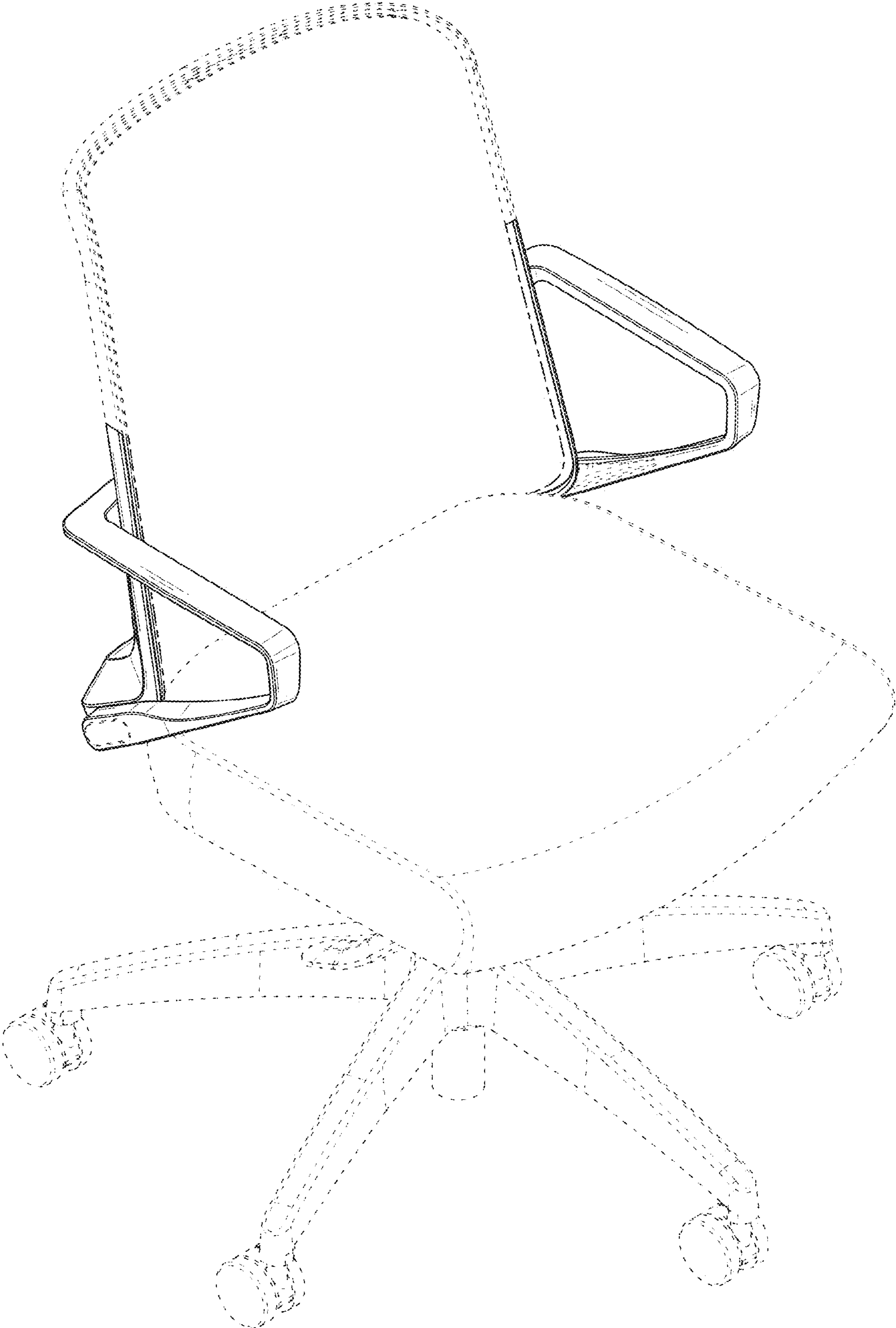


FIG. 1

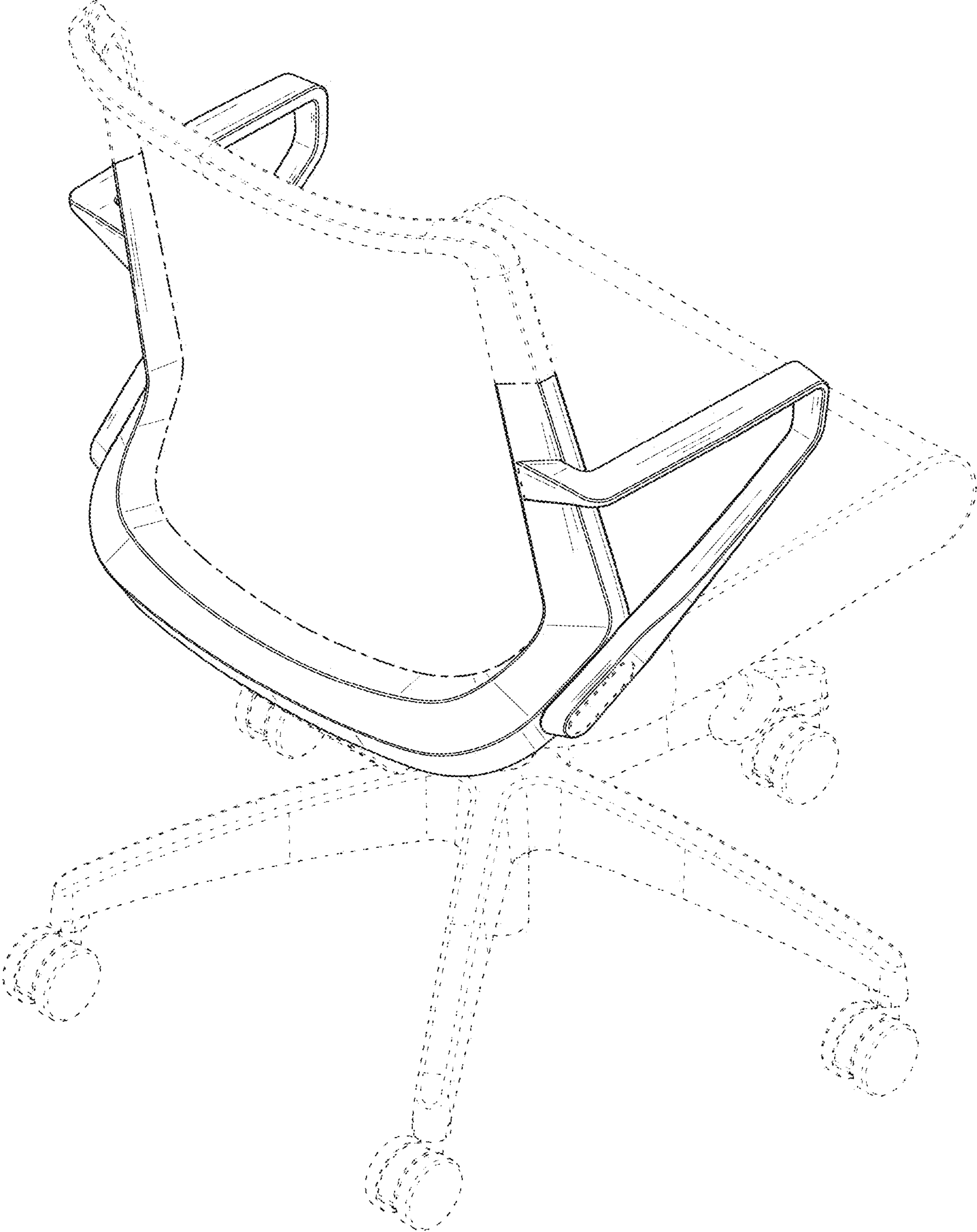


FIG. 2

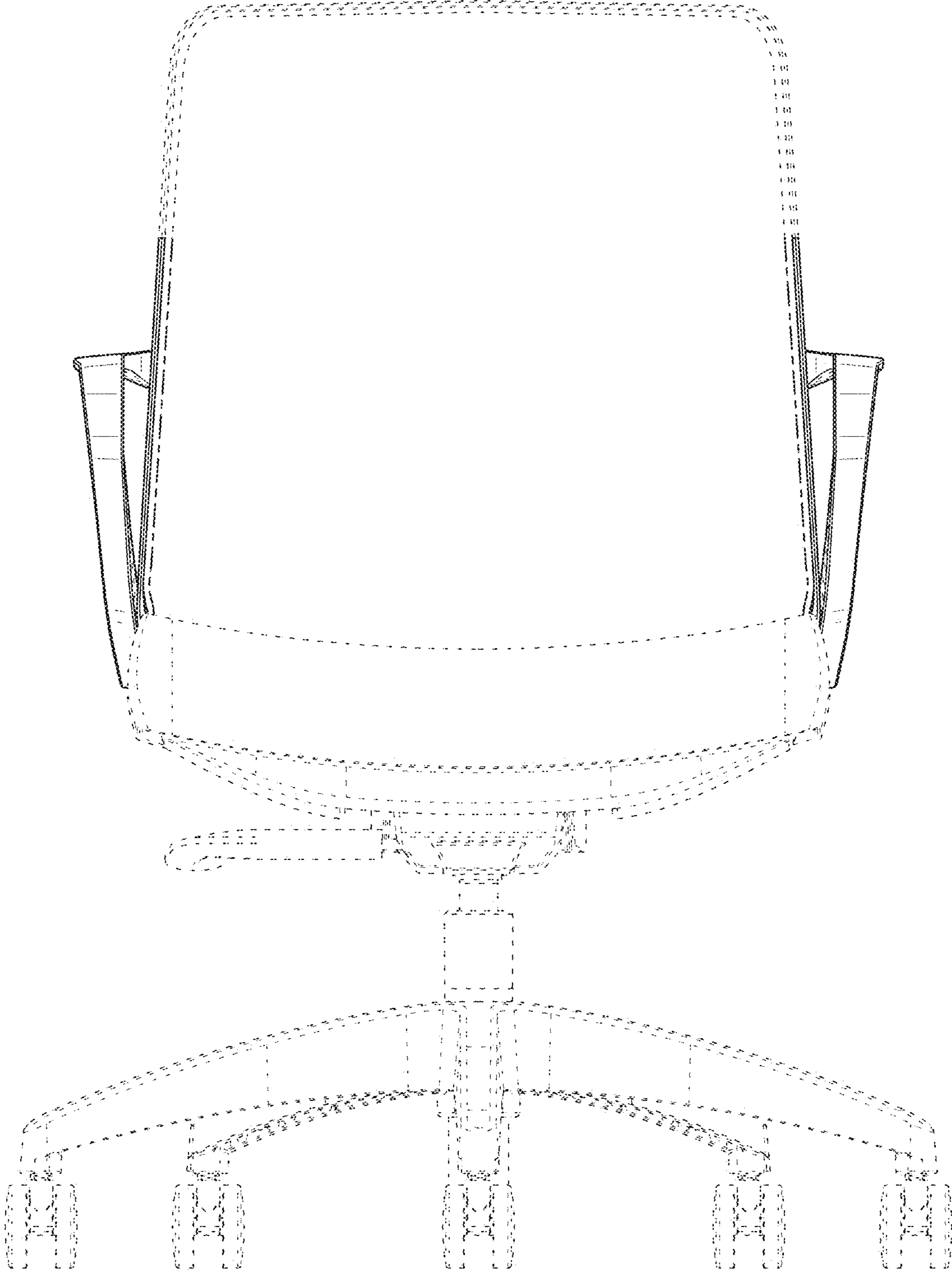


FIG. 3

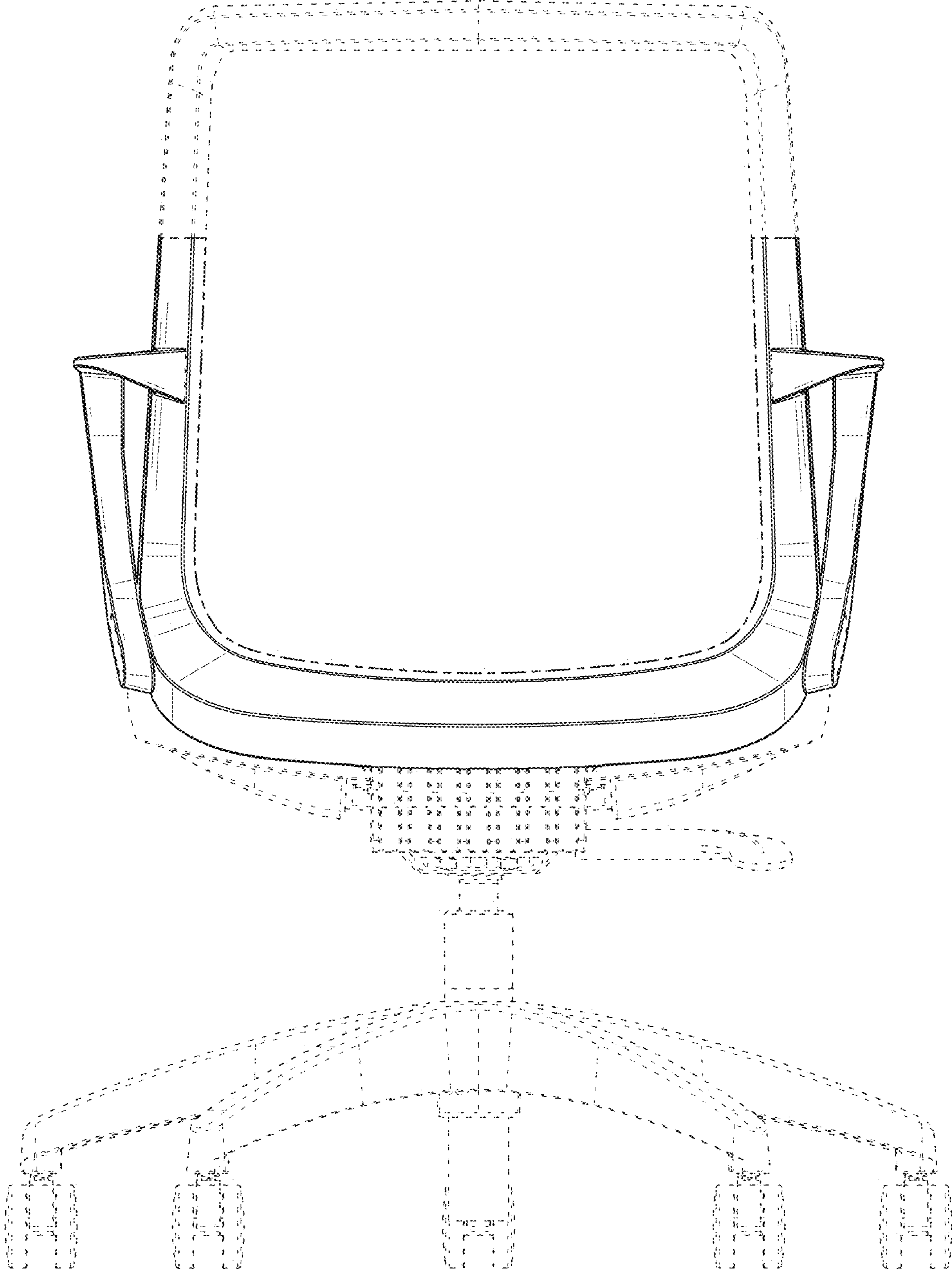


FIG. 4

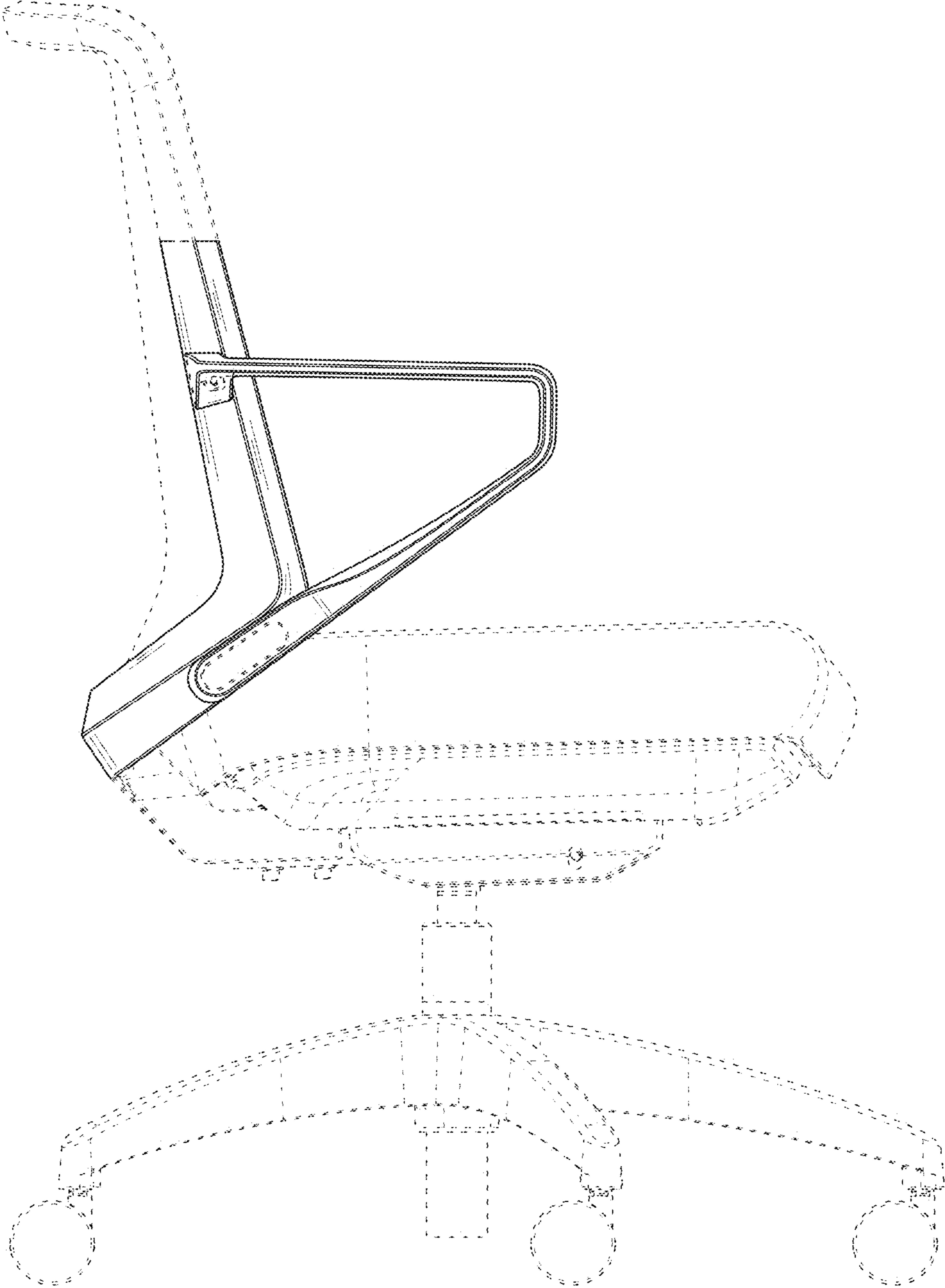


FIG. 5

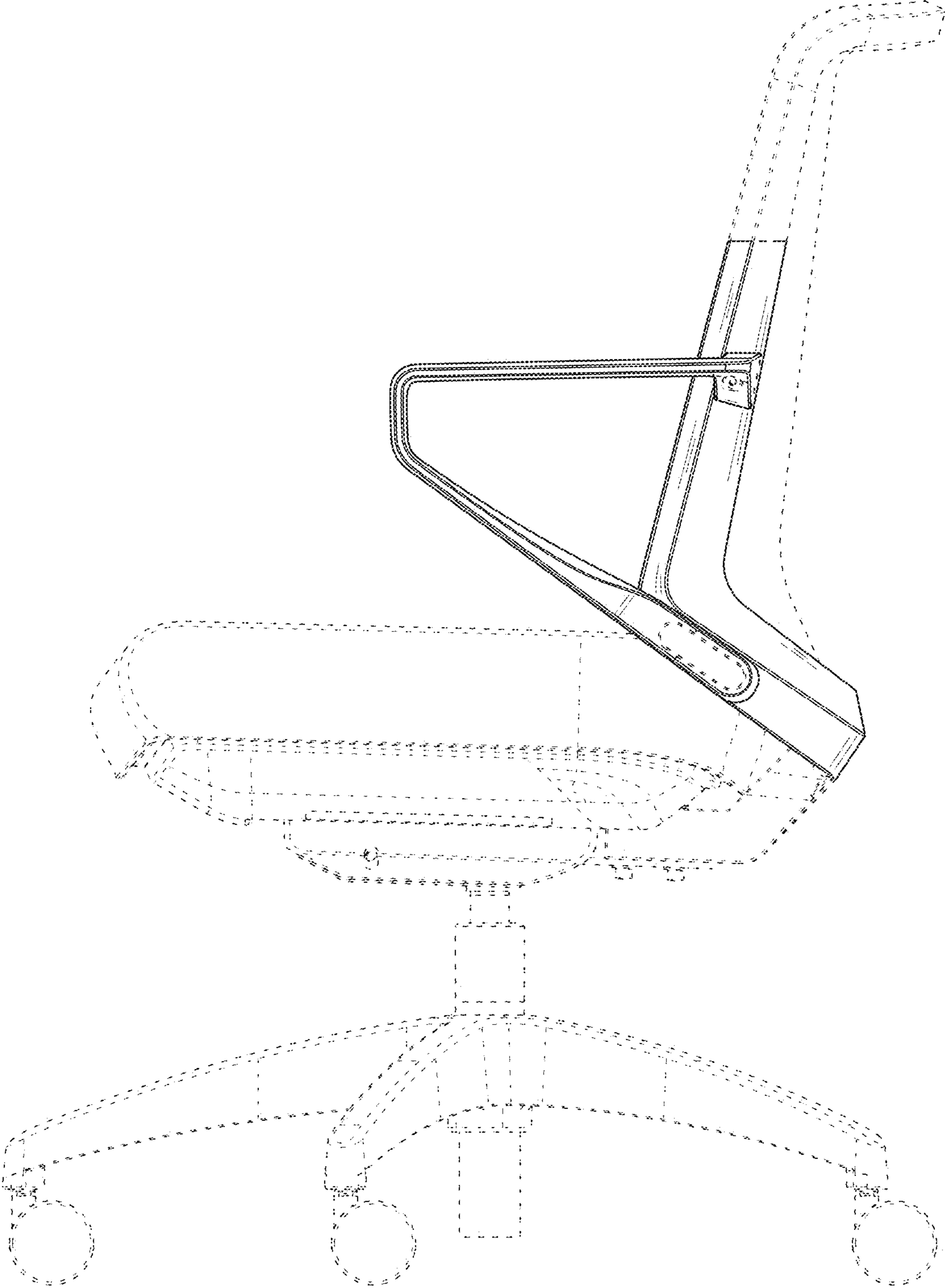


FIG. 6

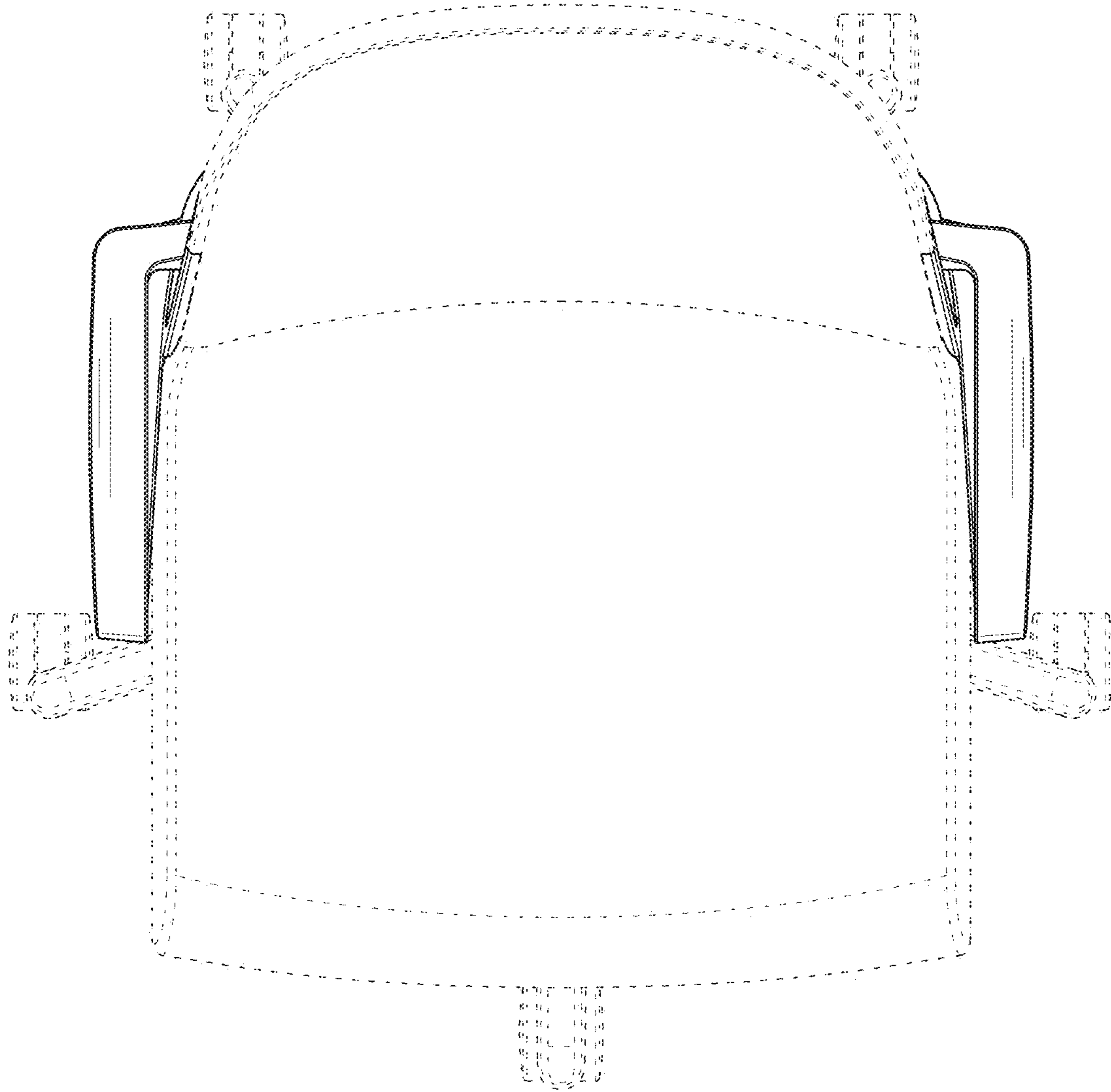


FIG. 7

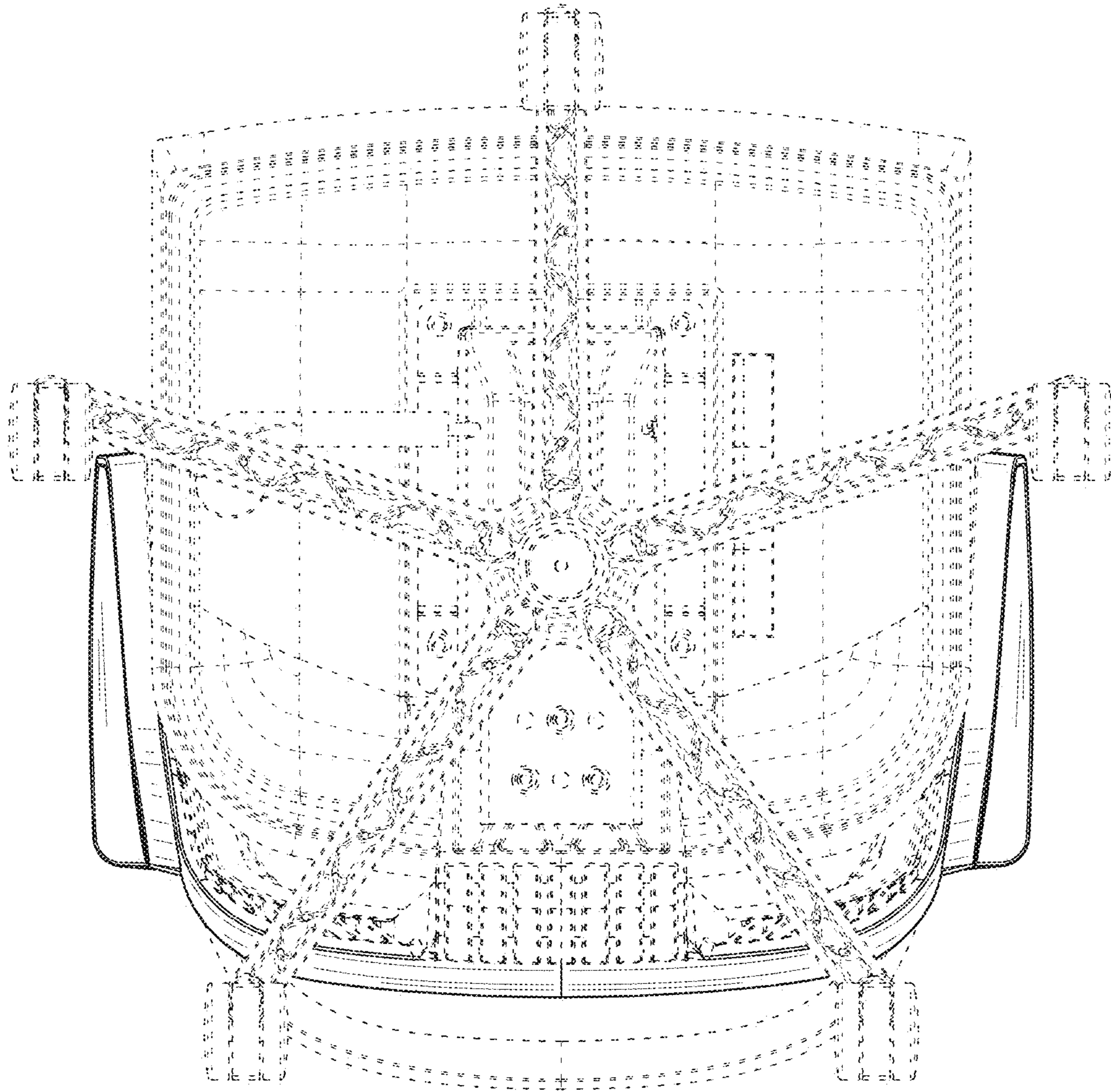


FIG. 8