



US00D979964S

(12) **United States Design Patent**
Kim et al.

(10) **Patent No.: US D979,964 S**
(45) **Date of Patent: ** Mar. 7, 2023**

(54) **VEHICLE REAR SEAT**

2/30; F16B 2/08; F16B 2/803; F16B
45/00; B60K 35/00; B60K 37/06; B60K
2026/026; B60K 2370/685; B60K
2370/744

(71) Applicant: **Canoo Technologies Inc.**, Torrance, CA
(US)

See application file for complete search history.

(72) Inventors: **Richard Kim**, Los Angeles, CA (US);
Taeho Kim, South Pasadena, CA (US);
Arthur Henrique Martins Junior, Los
Angeles, CA (US); **Cameron Bresn**,
Redondo Beach, CA (US); **Jarrad**
Adams, Hermosa Beach, CA (US)

(56) **References Cited**

U.S. PATENT DOCUMENTS

2,792,875 A * 5/1957 Pirrone A47C 1/16
297/130
D216,788 S * 3/1970 Petersen D6/368
D226,464 S 3/1973 Genaro
(Continued)

(73) Assignee: **Canoo Technologies Inc.**, Torrance, CA
(US)

(**) Term: **15 Years**

OTHER PUBLICATIONS

(21) Appl. No.: **29/791,842**

United States Patent and Trademark Office, "Non-Final Office
Action," dated May 9, 2022, in connection with U.S. Appl. No.
29/791,844, 19 pages.

(22) Filed: **Feb. 11, 2022**

Related U.S. Application Data

(62) Division of application No. 29/706,605, filed on Sep.
20, 2019, now Pat. No. Des. 963,366.

Primary Examiner — Kevin K Rudzinski

Assistant Examiner — Paul D Bohannon

(51) **LOC (14) Cl.** **06-01**

(57) **CLAIM**

(52) **U.S. Cl.**

The ornamental design for a vehicle rear seat, as shown and
described.

USPC **D6/356**

(58) **Field of Classification Search**

DESCRIPTION

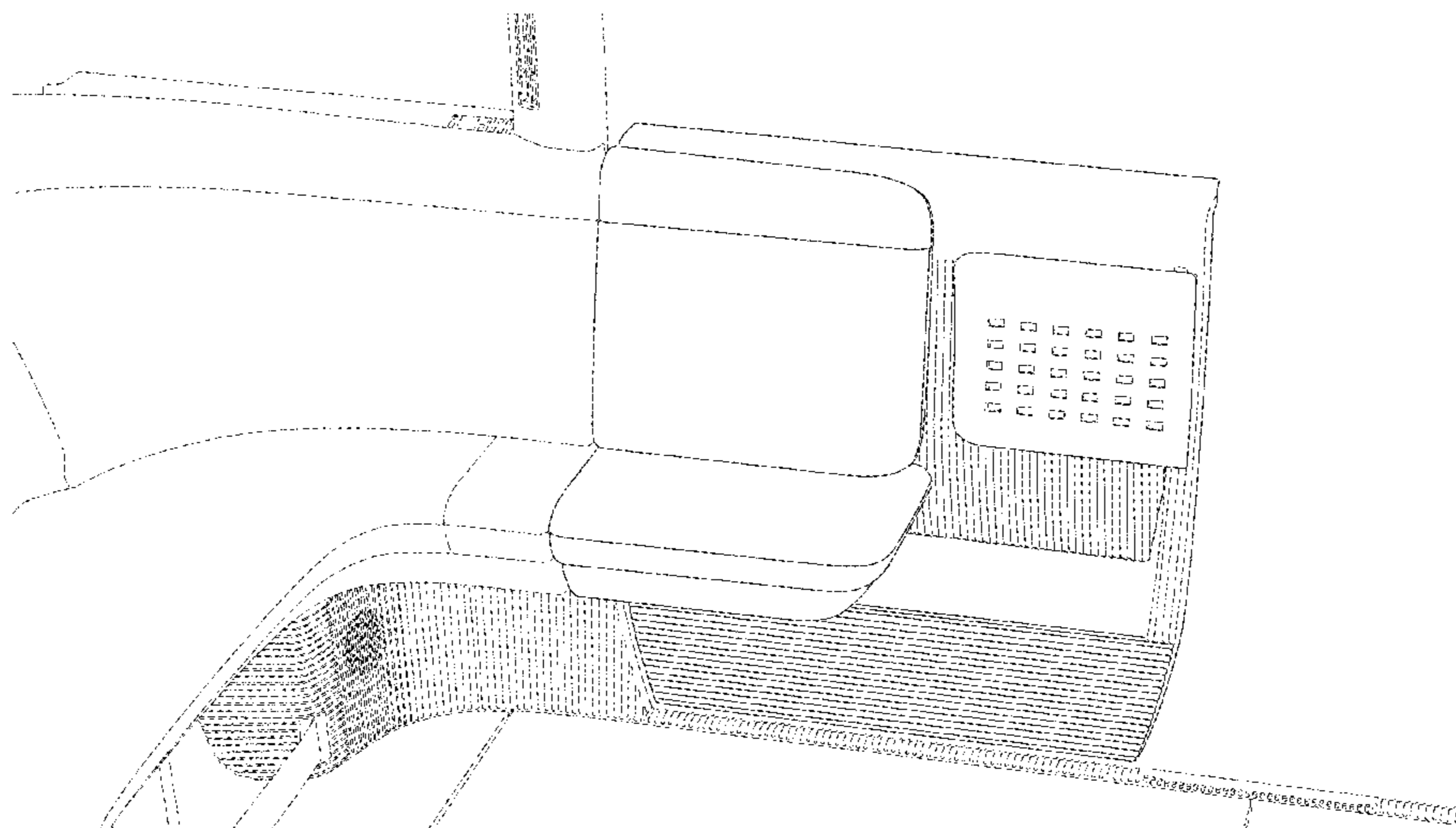
USPC D6/334, 356, 360, 369, 370, 374, 376,
D6/716, 716.1, 716.2, 716.3, 716.4,
D6/716.5, 716.7, 366, 335, 342, 364, 375,
D6/702, 703, 703.1, 381, 367, 601, 368;
D21/521, 533, 548; D12/133, 7, 85, 187,
D12/400, 195, 169; D14/172

FIG. 1 is a first perspective view of a vehicle rear seat,
shown in a first position of use, according to the present
invention.
FIG. 2 is a top view thereof.

CPC A61H 2201/0149; B60N 2/06; B60N 2/20;
B60N 2/22; B60N 2/58; B60N 2/68;
B60N 2/80; B60N 2/643; B60N 2/888;
B60N 2/859; B60N 2/1615; B60N
2/7035; B60N 2/42745; B60N 2002/0272;
B60N 2205/35; B60N 2/44; B60N 2/56;
B60N 2/206; B60N 2/366; B60N 2/933;
B60N 2/2222; B60N 2/2245; B60N
2/686; B60N 2/688; B60N 2/46; B60N

FIG. 3 is a second perspective view of the vehicle rear seat,
shown in a second position of use.
FIG. 4 is a third perspective view thereof; and,
FIG. 5 is a fourth perspective view thereof.
Mirror images of views are within the scope of the claimed
design even if not illustrated.
Features shown in broken lines do not form part of the
claimed design.

1 Claim, 5 Drawing Sheets



(56)

References Cited

U.S. PATENT DOCUMENTS

D239,234	S	3/1976	Gamble	
D259,752	S *	7/1981	Geschwender D6/368
D290,693	S	7/1987	Fukuichi	
D299,988	S *	2/1989	Parabita D6/392
D417,984	S *	12/1999	Sand D6/601
6,601,252	B1 *	8/2003	Leach A47C 3/16 5/643
7,104,605	B2 *	9/2006	Jones A47C 1/16 297/230.11
D695,033	S	12/2013	Salzberger et al.	
D765,999	S	9/2016	Goode et al.	
D917,906	S	5/2021	Cousin	
D924,583	S	7/2021	Kang et al.	
D936,981	S	11/2021	Kentley-Klay et al.	
D940,047	S	1/2022	Kim et al.	
D964,061	S *	9/2022	Kim D6/356
2010/0252680	A1	10/2010	Porter	
2020/0070691	A1	3/2020	Glain et al.	
2020/0238880	A1	7/2020	Valdes De La Garza et al.	

* cited by examiner

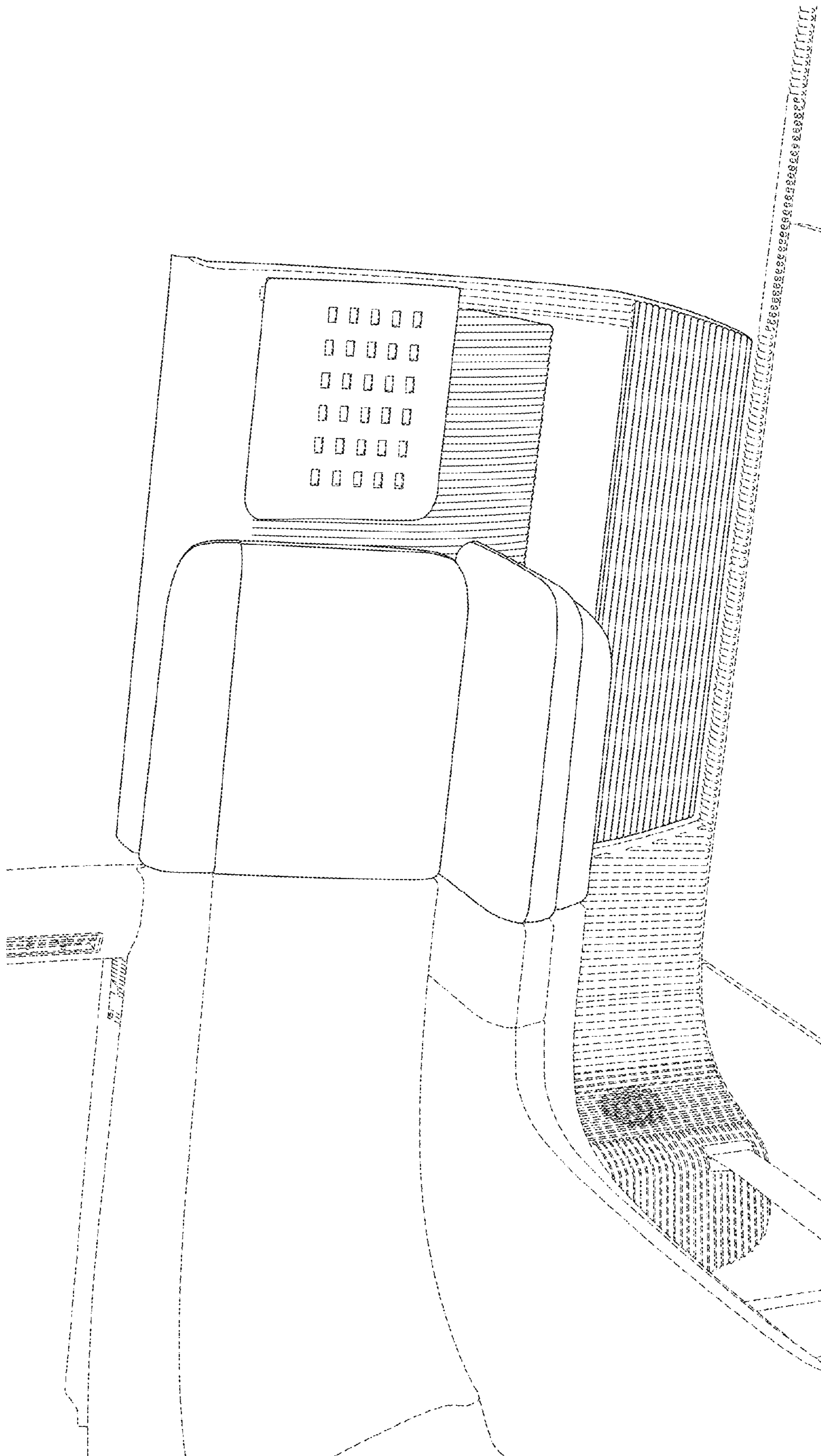


FIG. 1

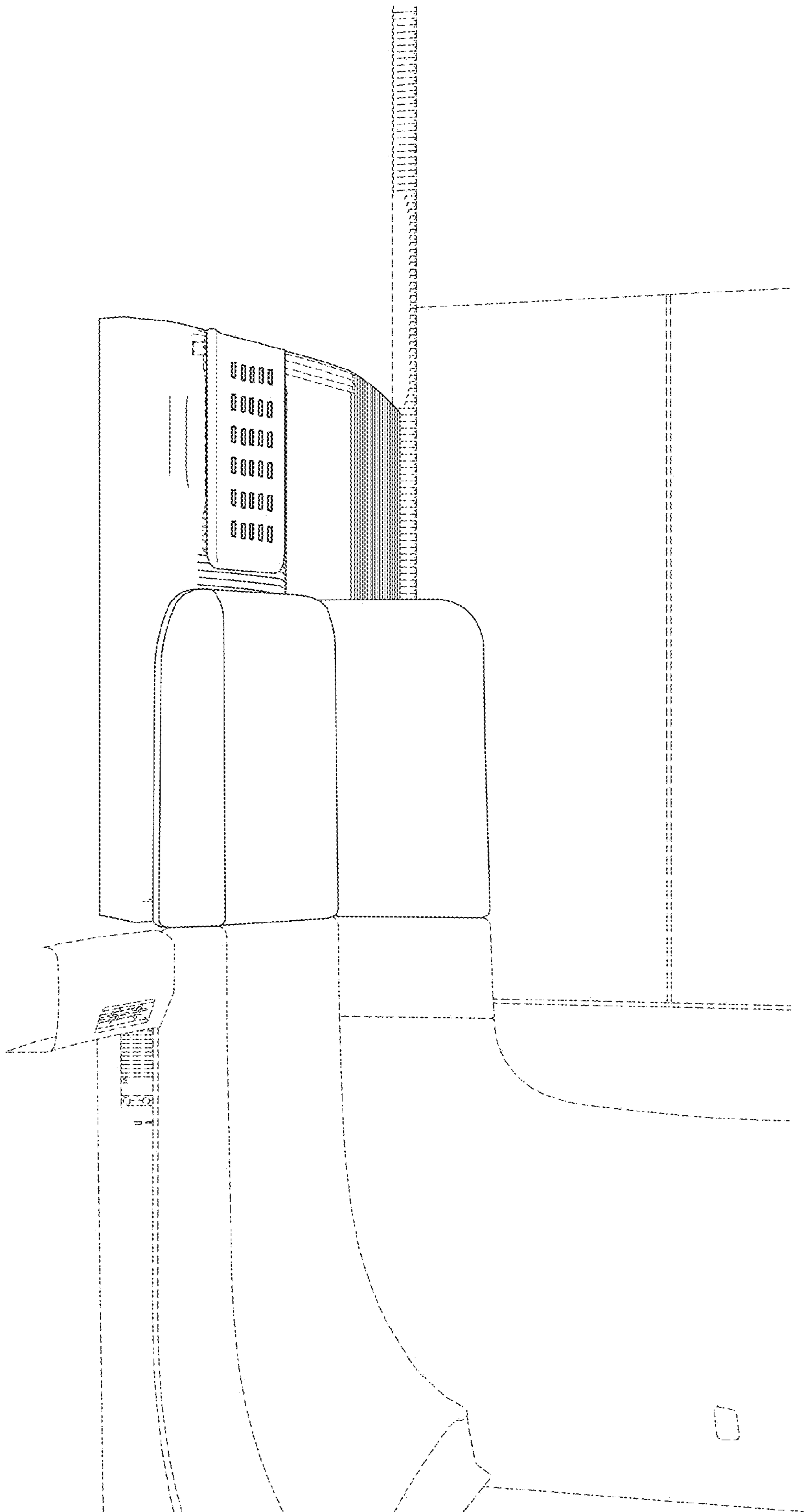


FIG. 2

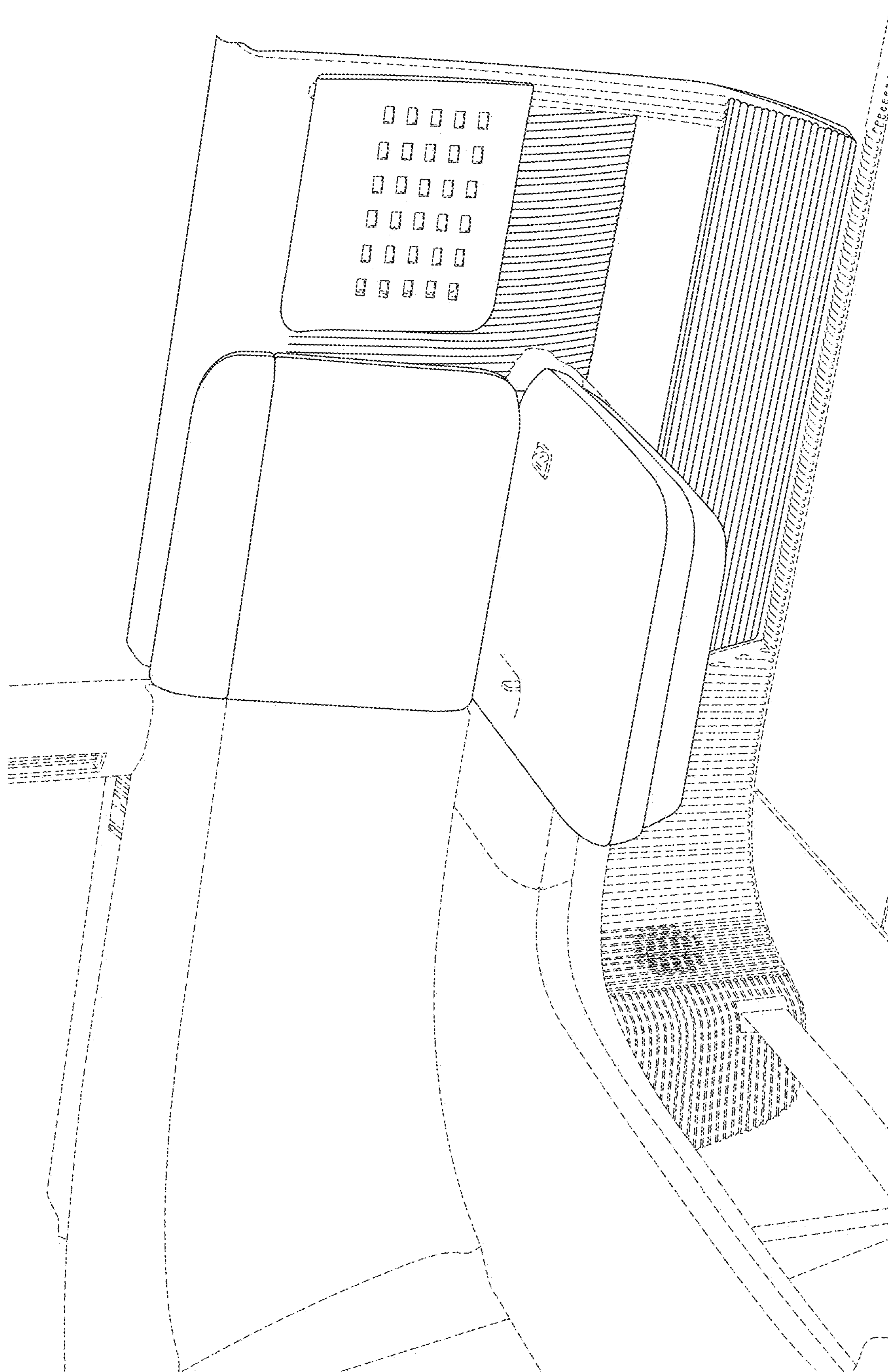


FIG. 3

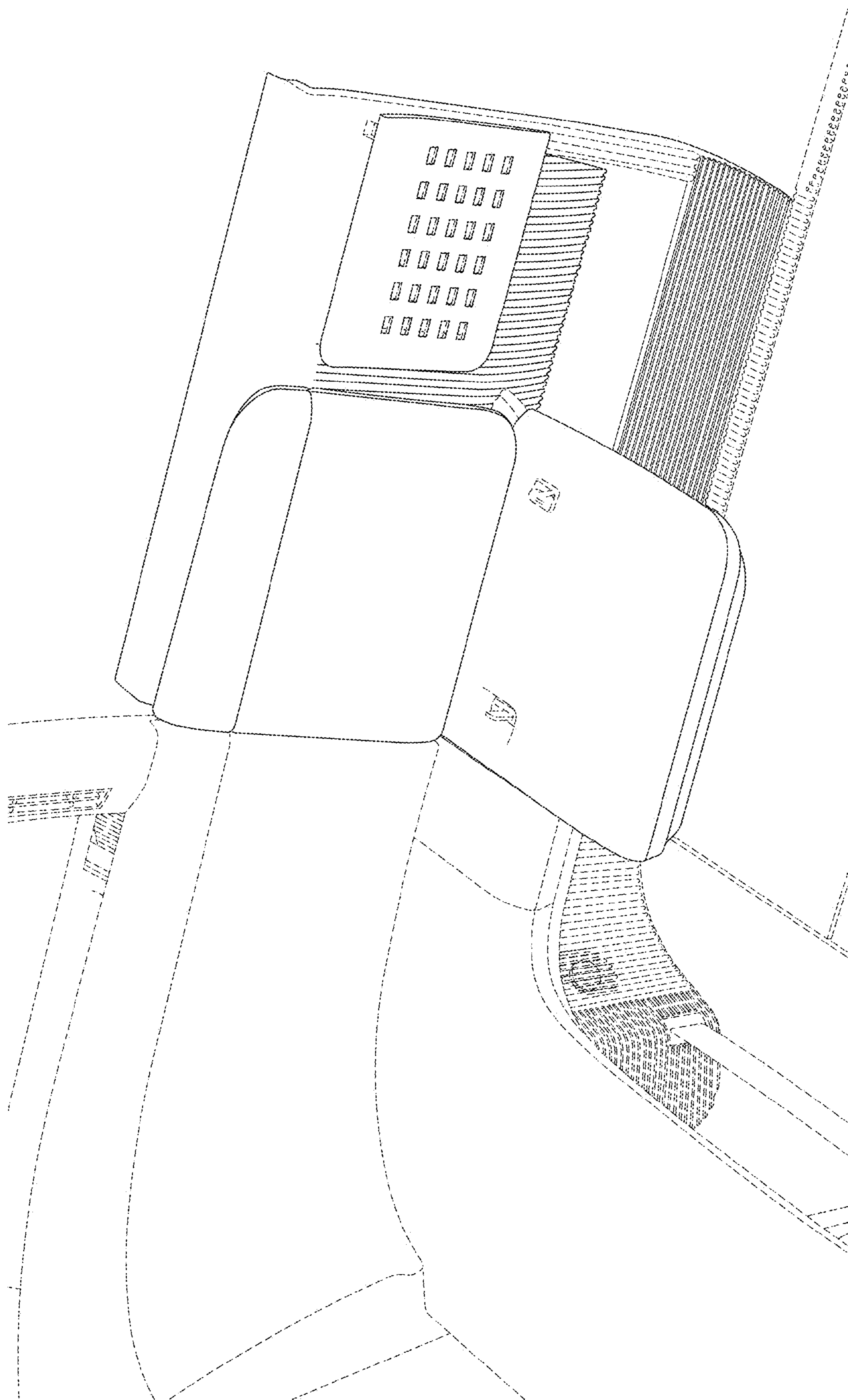


FIG. 4

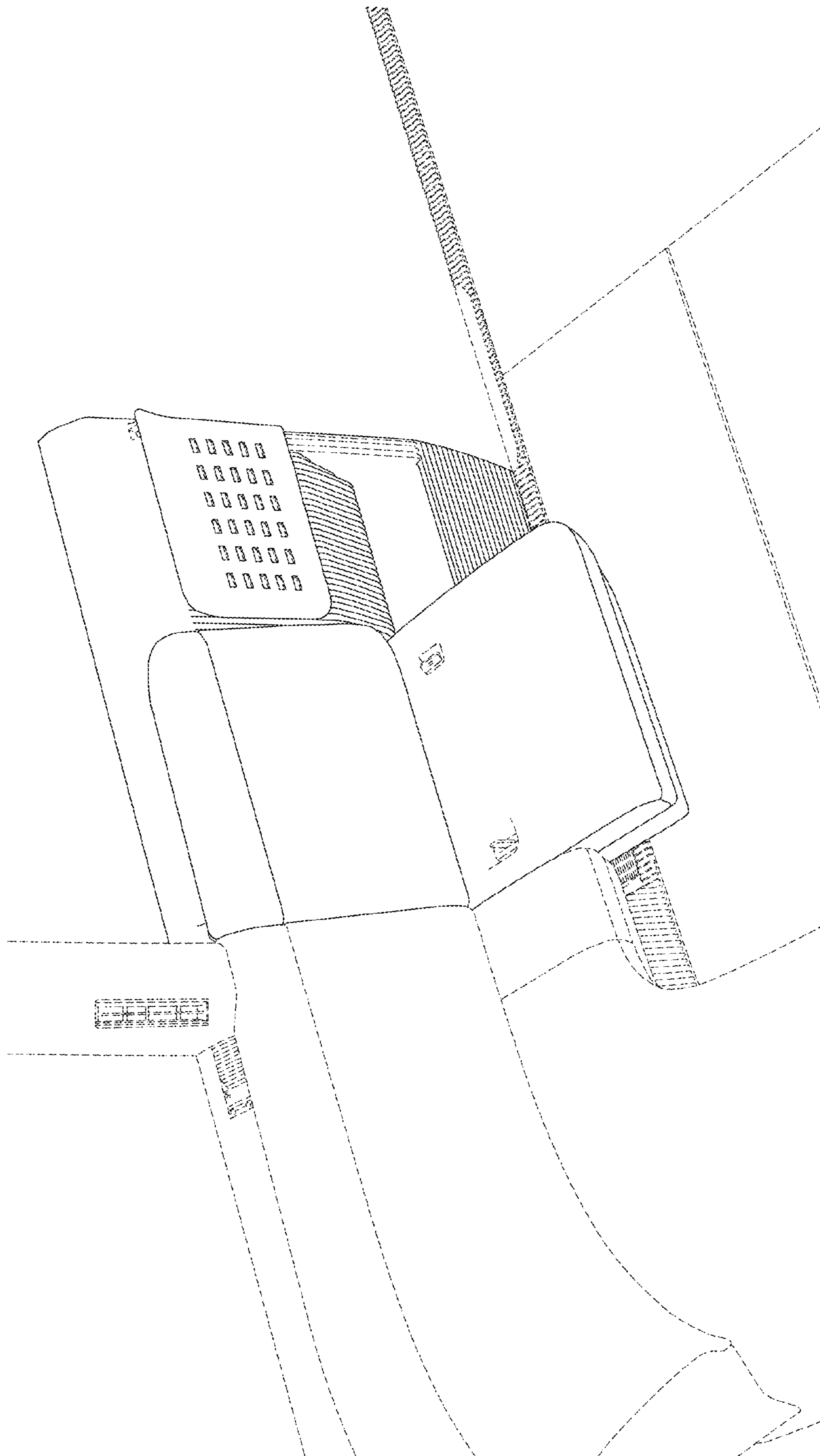


FIG. 5