



US00D979963S

(12) **United States Design Patent** (10) **Patent No.:** **US D979,963 S**
Ghahramanian (45) **Date of Patent:** **** Mar. 7, 2023**

(54) **FLIGHT SIMULATOR SEAT**
(71) Applicant: **Next Level Racing Simulations Pty Ltd, Southport (AU)**
(72) Inventor: **Hessam Ghahramanian, Southport (AU)**
(73) Assignee: **Next Level Racing Simulations Pty Ltd, Southport (AU)**

D930,081 S * 9/2021 Ghahramanian D21/326
D939,850 S * 1/2022 Borkert D6/356
D953,758 S * 6/2022 Kutty D6/356
D957,840 S * 7/2022 Cai D6/366
(Continued)

(**) Term: **15 Years**

FOREIGN PATENT DOCUMENTS

(21) Appl. No.: **29/779,415**

CN 305757050 * 5/2020
CN 306243198 * 12/2020
(Continued)

(22) Filed: **Apr. 19, 2021**

Flight Simulator Lite, posted unknown [online], [retrieved Dec. 14, 2022]. Retrieved from internet, <https://nextlevelracing.com/products/flight-simulator-lite/> (Year: 2022).*

(51) **LOC (14) Cl.** **06-01**

(Continued)

(52) **U.S. Cl.**

USPC **D6/356**

(58) **Field of Classification Search**

USPC D6/356, 359, 366; D21/325–327, 329, D21/333, 349, 351–355, 366, 369–371, D21/385, 426, 427, 430, 471, 695, 696, D21/814

CPC A47C 1/03255; A47C 1/032; A47C 3/026; A47C 7/004; A63F 13/08; A63F 13/803; A63F 13/28; G09B 9/12

See application file for complete search history.

Primary Examiner — Cynthia Ramirez
Assistant Examiner — Jeremy S. Swartz
(74) *Attorney, Agent, or Firm* — Fox Rothschild LLP

(57) **CLAIM**

The ornamental design for a flight simulator seat, as shown and described.

DESCRIPTION

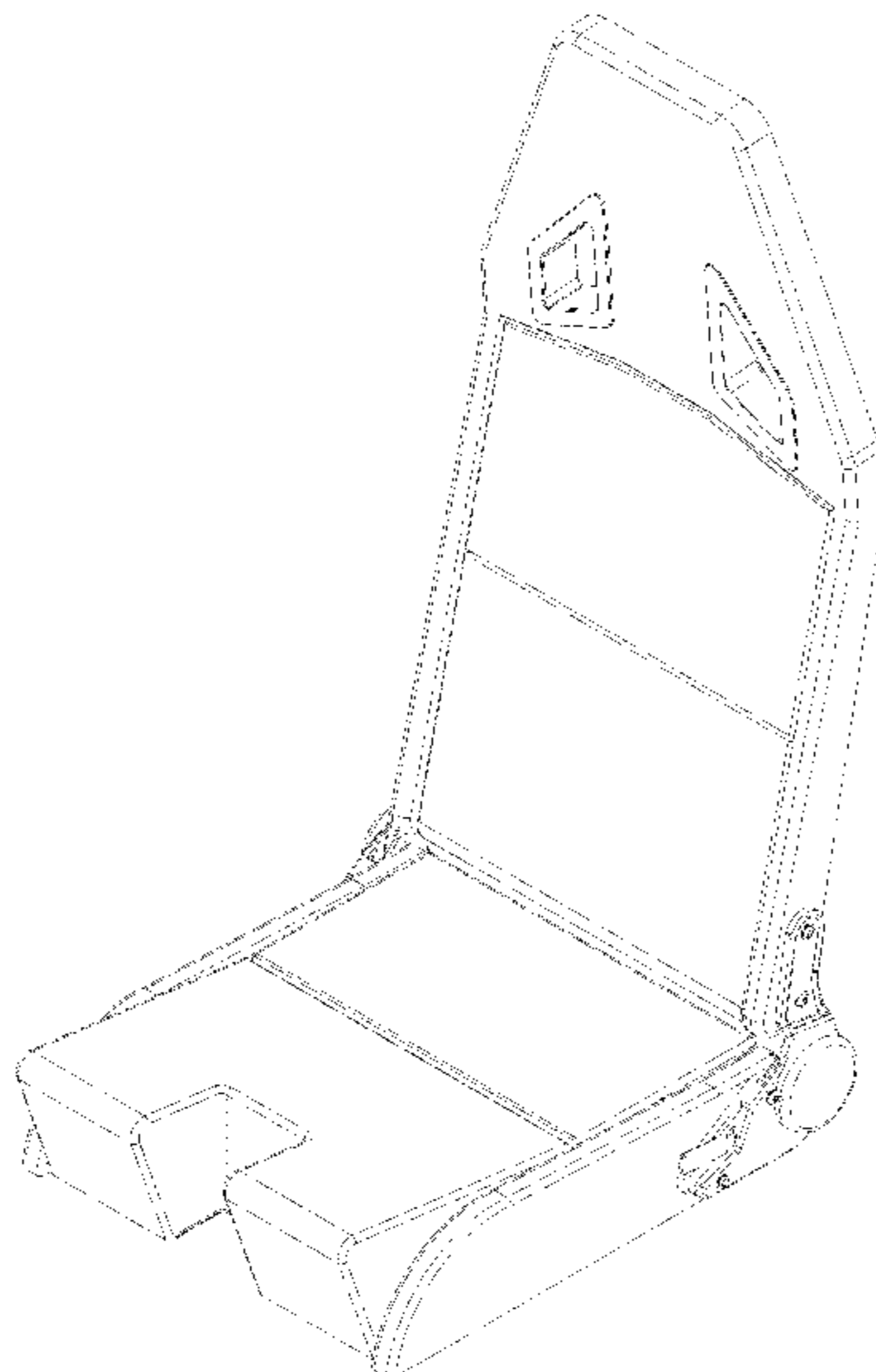
(56) **References Cited**

U.S. PATENT DOCUMENTS

D598,207 S * 8/2009 Smit D6/335
D612,641 S * 3/2010 Smit D6/366
D651,815 S * 1/2012 Smit D6/336
D677,067 S * 3/2013 Yamanaka D6/356
D679,914 S * 4/2013 Smit D6/338
D691,822 S * 10/2013 Smit D6/368
D896,538 S * 9/2020 Monroe D6/356
D901,915 S * 11/2020 Kafantaris D6/356
D905,984 S * 12/2020 Beermann D6/356
D907,380 S * 1/2021 Iulita D6/375
D910,758 S * 2/2021 Leong D21/326

FIG. 1 is an upper front perspective view of a flight simulator seat showing my new design;
FIG. 2 is an upper rear perspective view thereof;
FIG. 3 is a right view thereof;
FIG. 4 is a left view thereof;
FIG. 5 is a top view thereof;
FIG. 6 is a bottom view thereof;
FIG. 7 is a front view thereof;
FIG. 8 is a rear view thereof;
FIG. 9 is a lower front perspective view; and,
FIG. 10 is a lower rear perspective view.

1 Claim, 9 Drawing Sheets



(56)

References Cited

U.S. PATENT DOCUMENTS

2010/0028837 A1* 2/2010 Holloway G09B 9/08
434/30
2021/0345786 A1* 11/2021 Peng A47C 1/0303
2022/0351636 A1* 11/2022 Rapoport G09B 9/12

FOREIGN PATENT DOCUMENTS

CN 306806452 * 4/2021
EM 008510325-0001 * 4/2021
EM 008868020-0001 * 3/2022
GB 6193134 * 2/2022

OTHER PUBLICATIONS

Conquer Racing Simulator, posted Apr. 27, 2021 [online], [retrieved Dec. 14, 2022]. Retrieved from internet, <https://roadbikeoutlet.com/products/conquer-racing-seat-driving-simulator-chair-gaming-sim-with-gear-shifter-mount?variant=31707773927506&gclid=>

EAlalQobChMI_JDa4-v5-wlVGbrlCh1JAQ37EAQYASABEgl8q_D_BwE (Year: 2021).*
Next Level Racing Flight Simulator Lite Cockpit, posted unknown [online], [retrieved Dec. 14, 2022]. Retrieved from internet, https://www.bhphotovideo.com/c/product/1640818-REG/next_level_racing_nlr_s022_flight_simulator_lite.html (Year: 2022).*
Flight Simulator, posted unknown [online], [retrieved Dec. 14, 2022]. Retrieved from internet, <https://nextlevelracing.com/products/flight-simulator/> (Year: 2022).*
Next Level Racing Flight Simulator Boeing Commercial Edition, posted Sep. 13, 2022 [online], [retrieved Dec. 14, 2022]. Retrieved from internet, <https://www.amazon.com/Racing-Simulator-Cockpit-Not-Machine-Specific/dp/B0BFBXCSGK> (Year: 2022).*
Next Level Racing Flight Simulator, posted Sep. 13, 2022 [online], [retrieved Dec. 14, 2022]. Retrieved from internet, https://www.amazon.com/Racing-Simulator-Cockpit-Not-Machine-Specific/dp/B0BFC1WKPJ?ref=ast_sto_dp&th=1 (Year: 2022).*
Next Level Racing Flight Simulator Boeing Military Edition, posted Sep. 13, 2022 [online], [retrieved Dec. 14, 2022]. Retrieved from internet, https://www.amazon.com/Racing-Simulator-Cockpit-Not-Machine-Specific/dp/B0BFBWPLNM?ref=ast_sto_dp&th=1 (Year: 2022).*

* cited by examiner

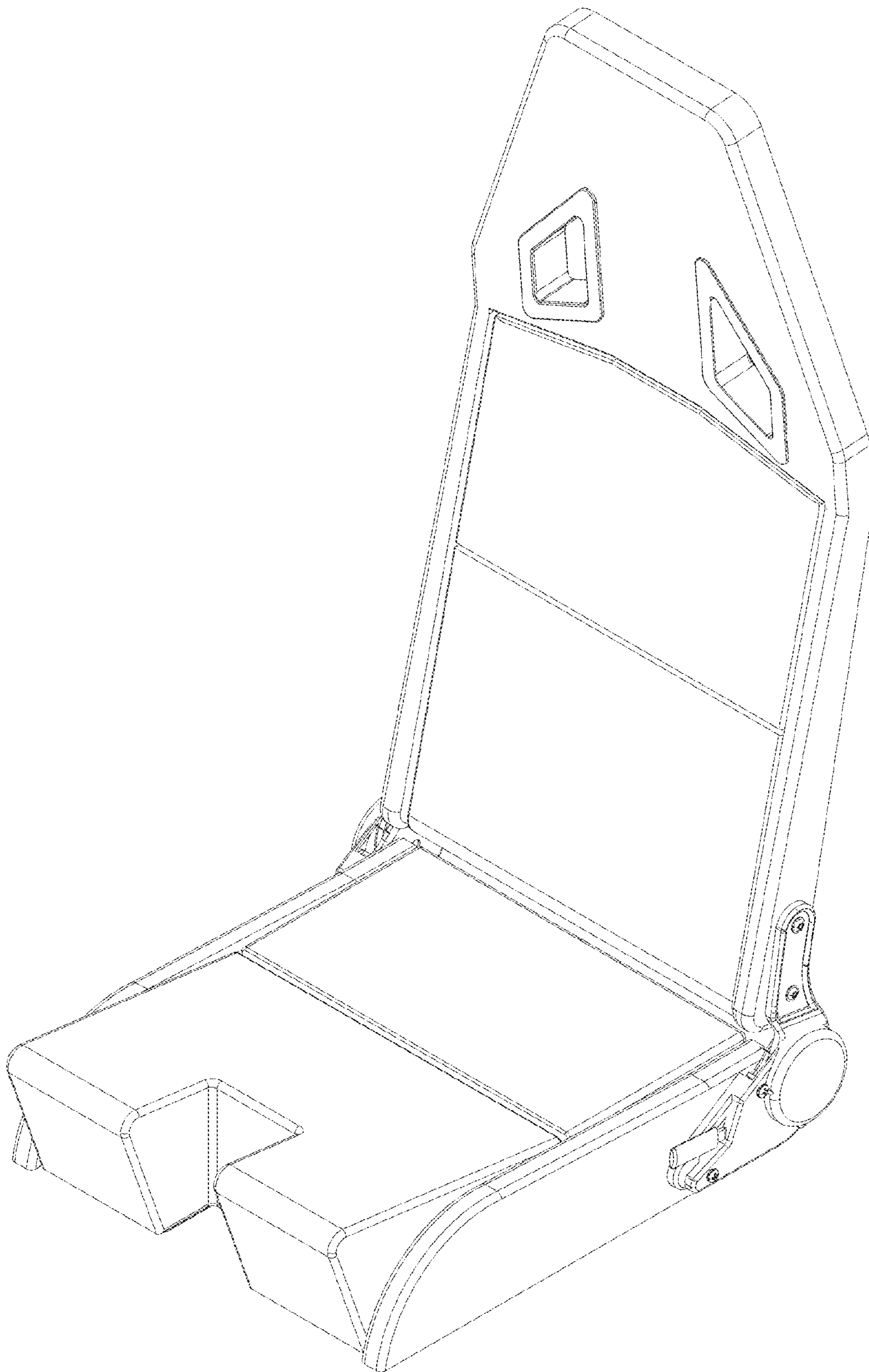


FIG. 1

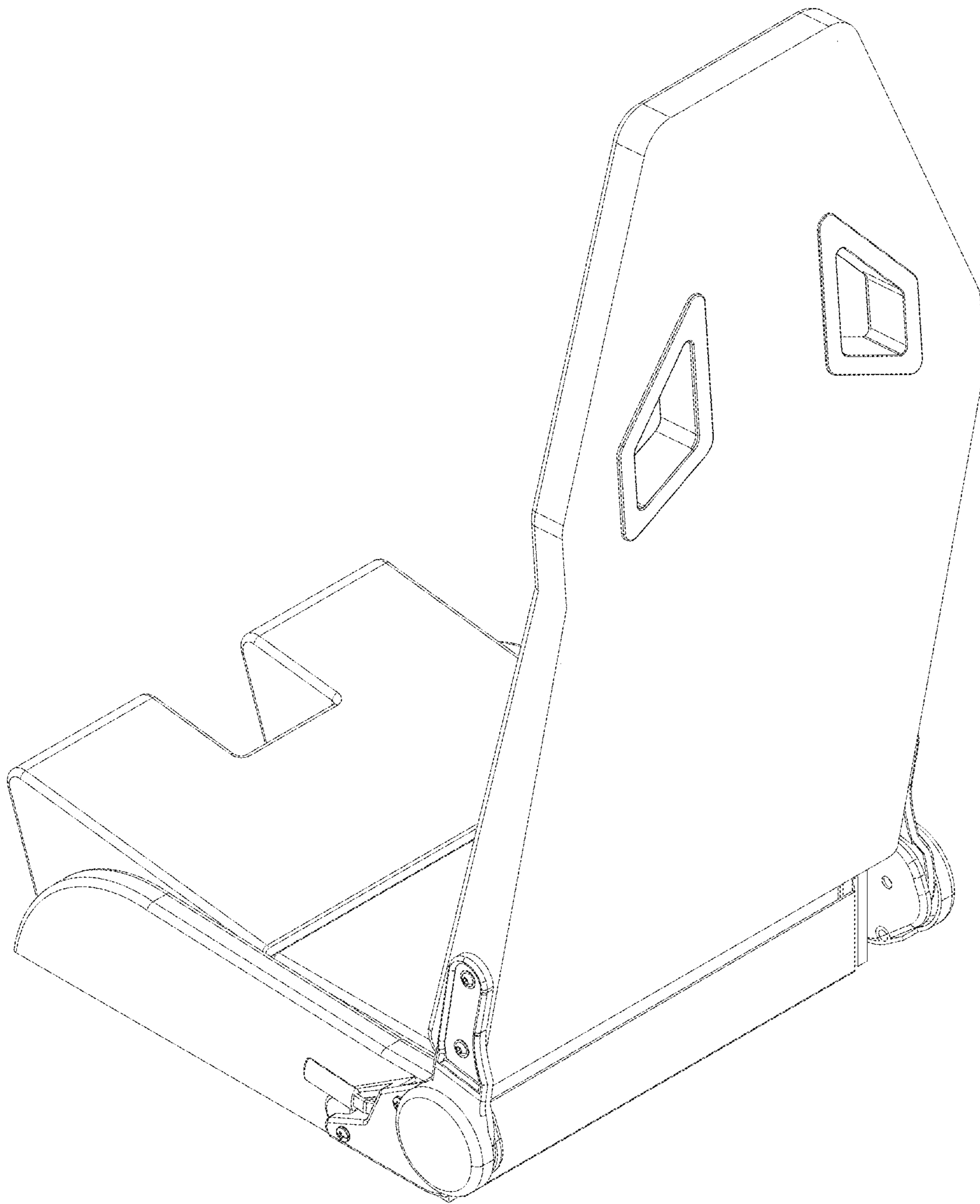


FIG. 2

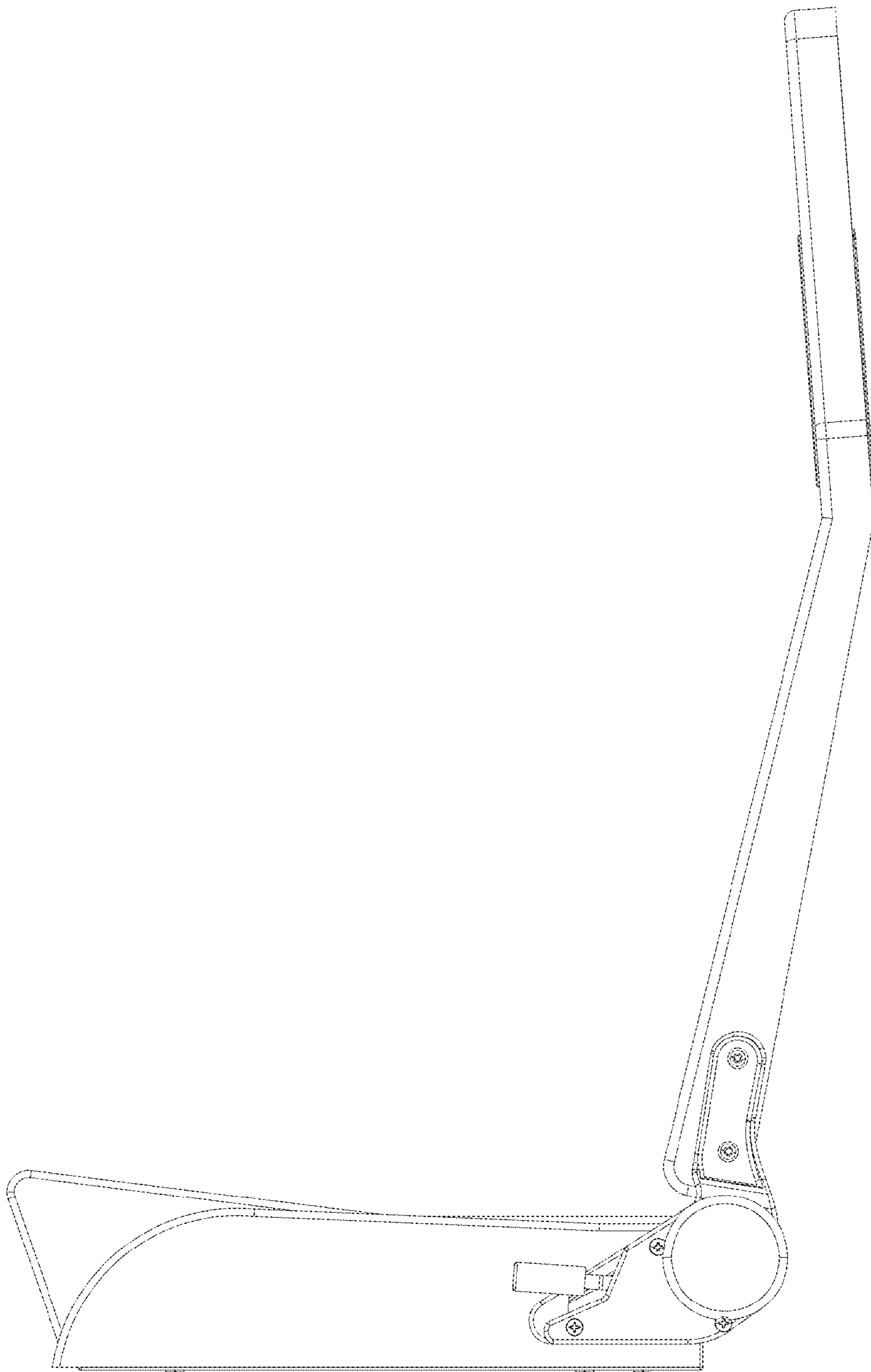


FIG. 3

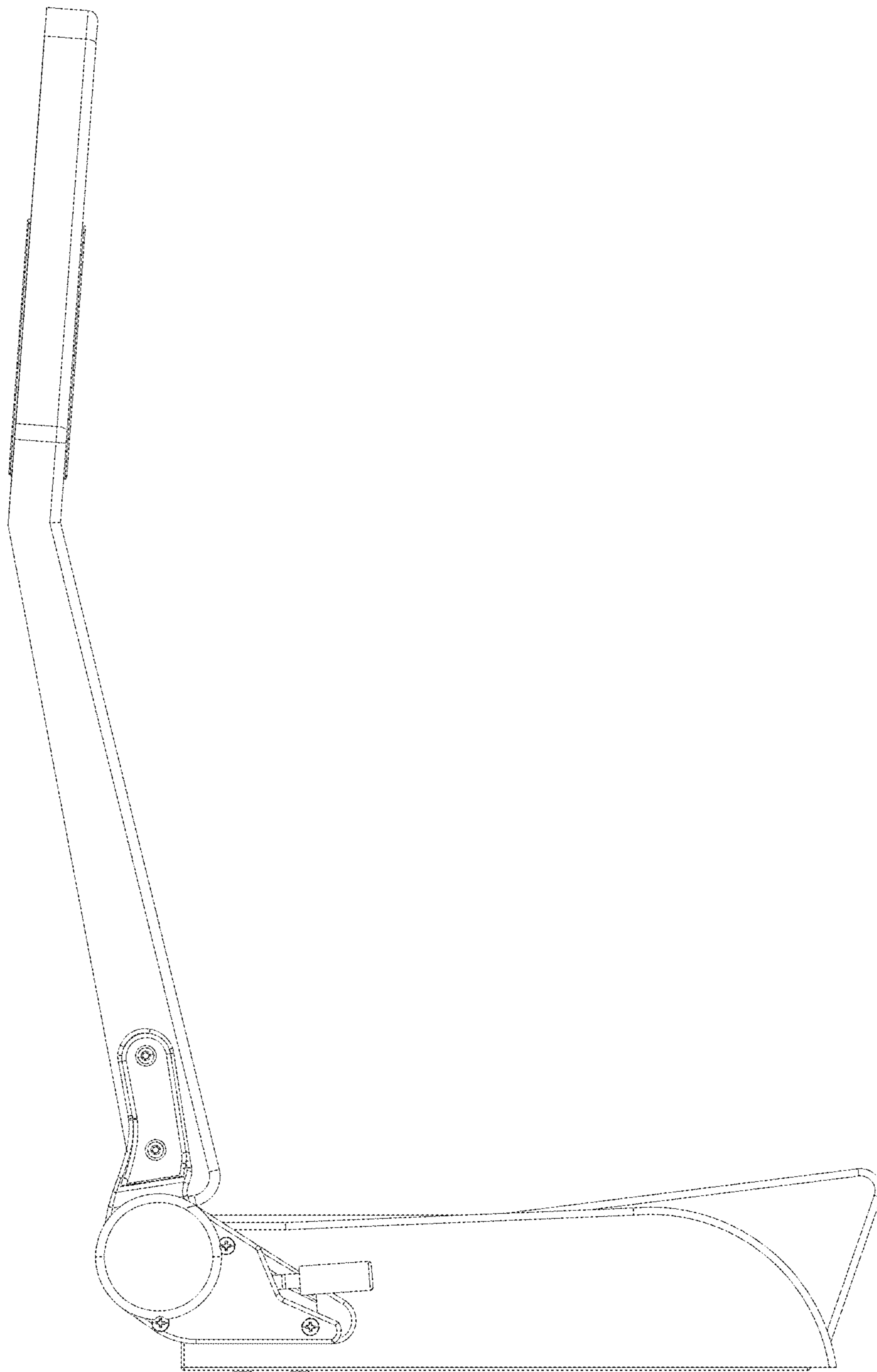


FIG. 4

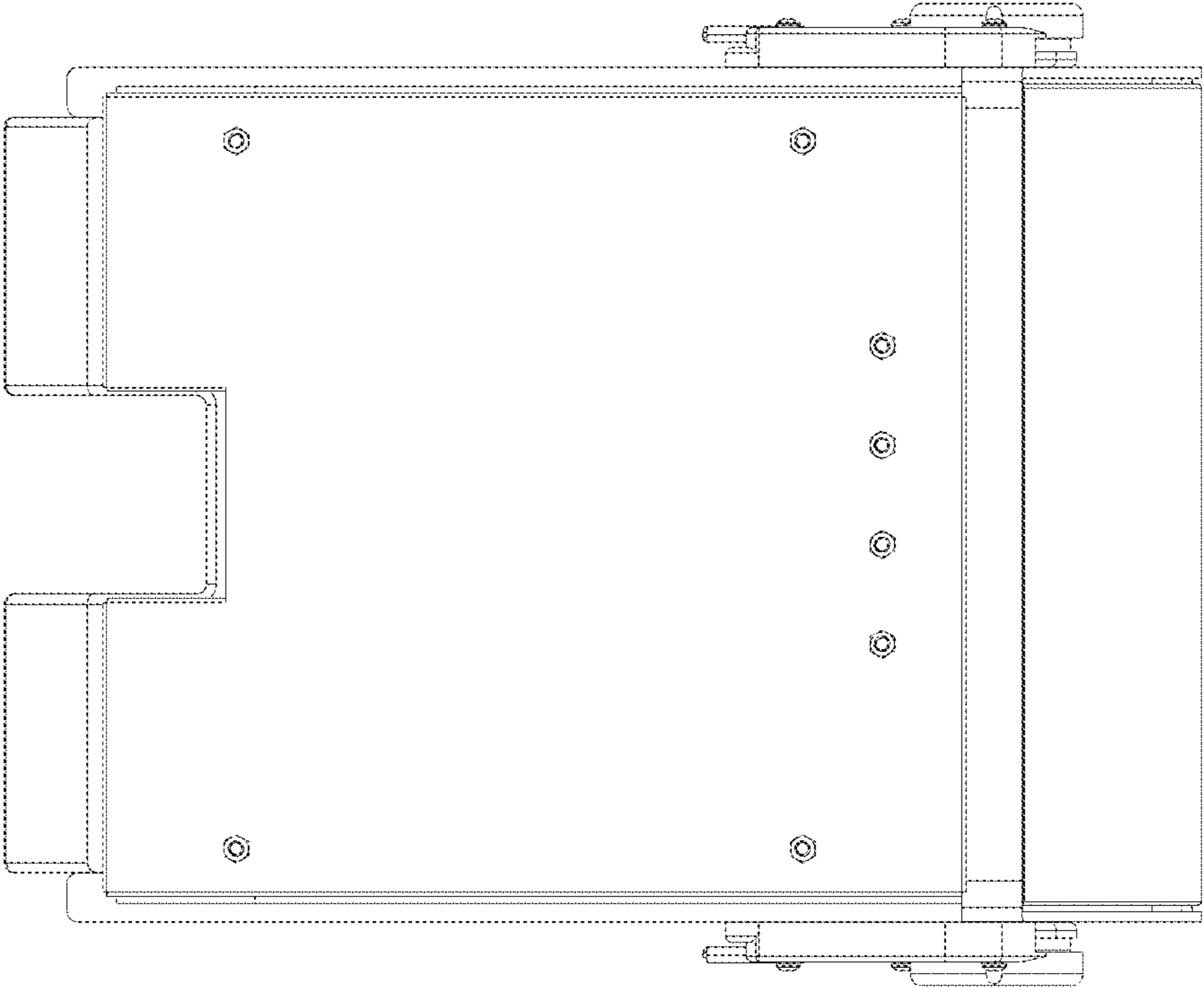


FIG. 6

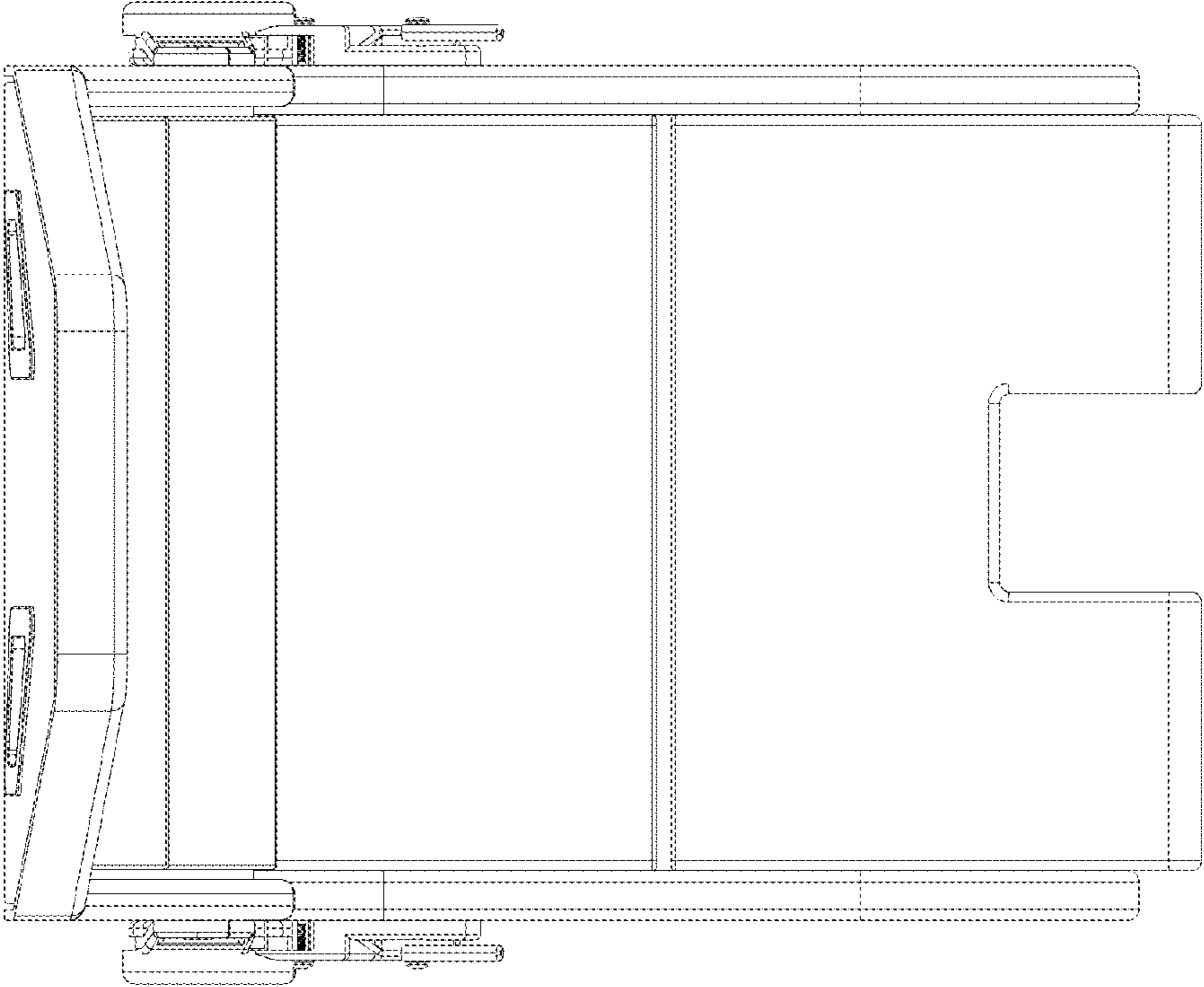


FIG. 5

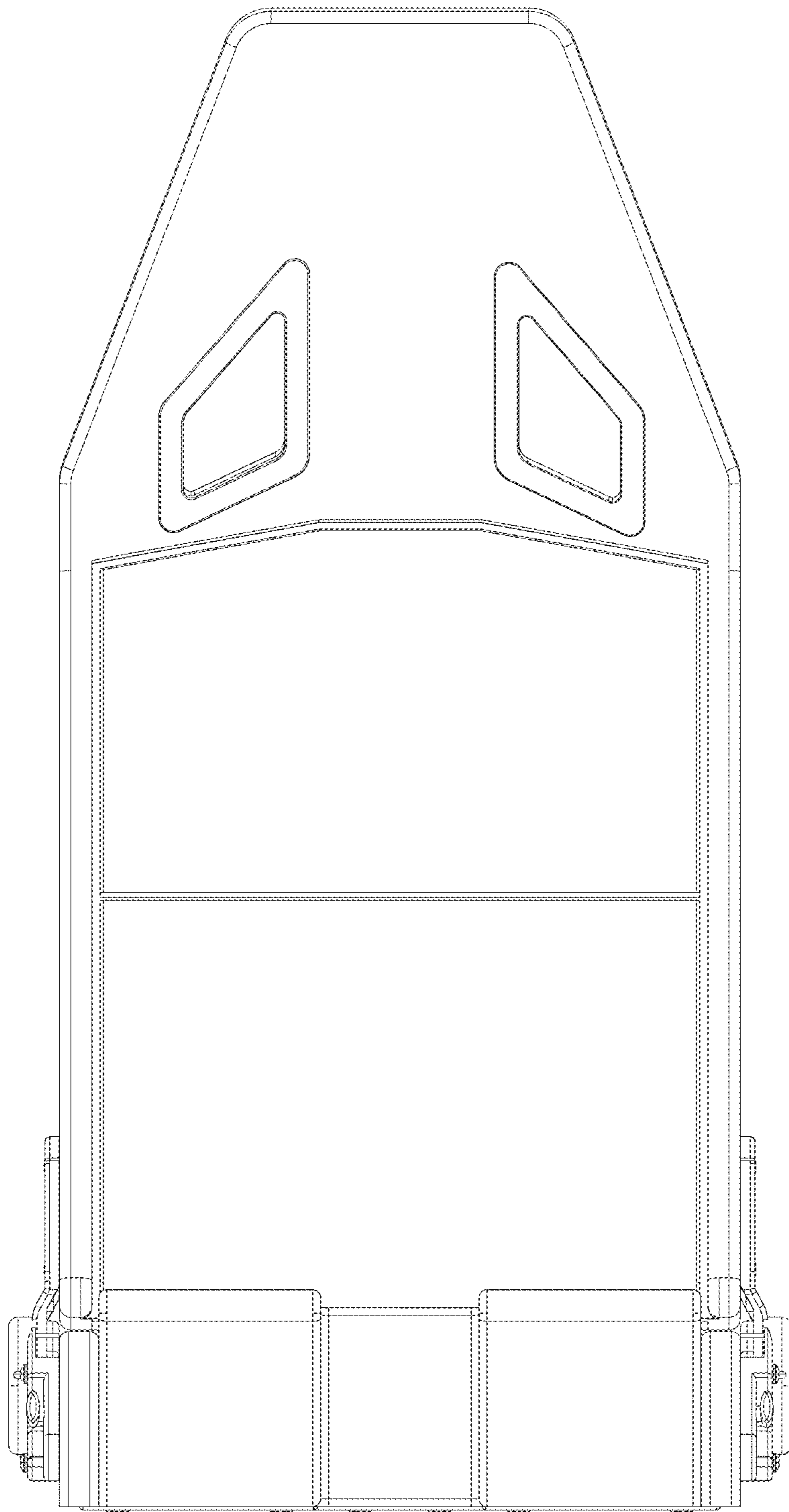


FIG. 7

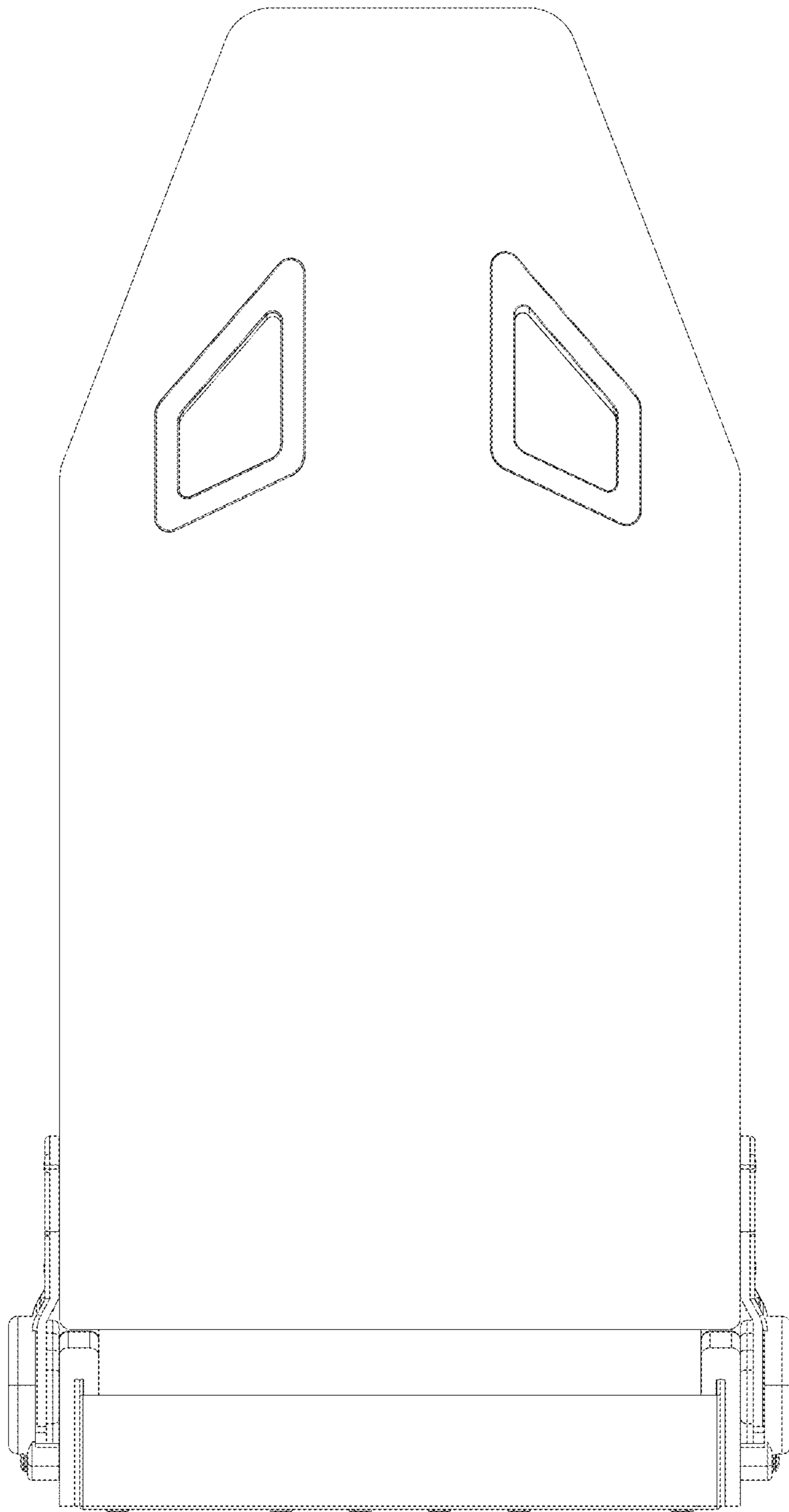


FIG. 8

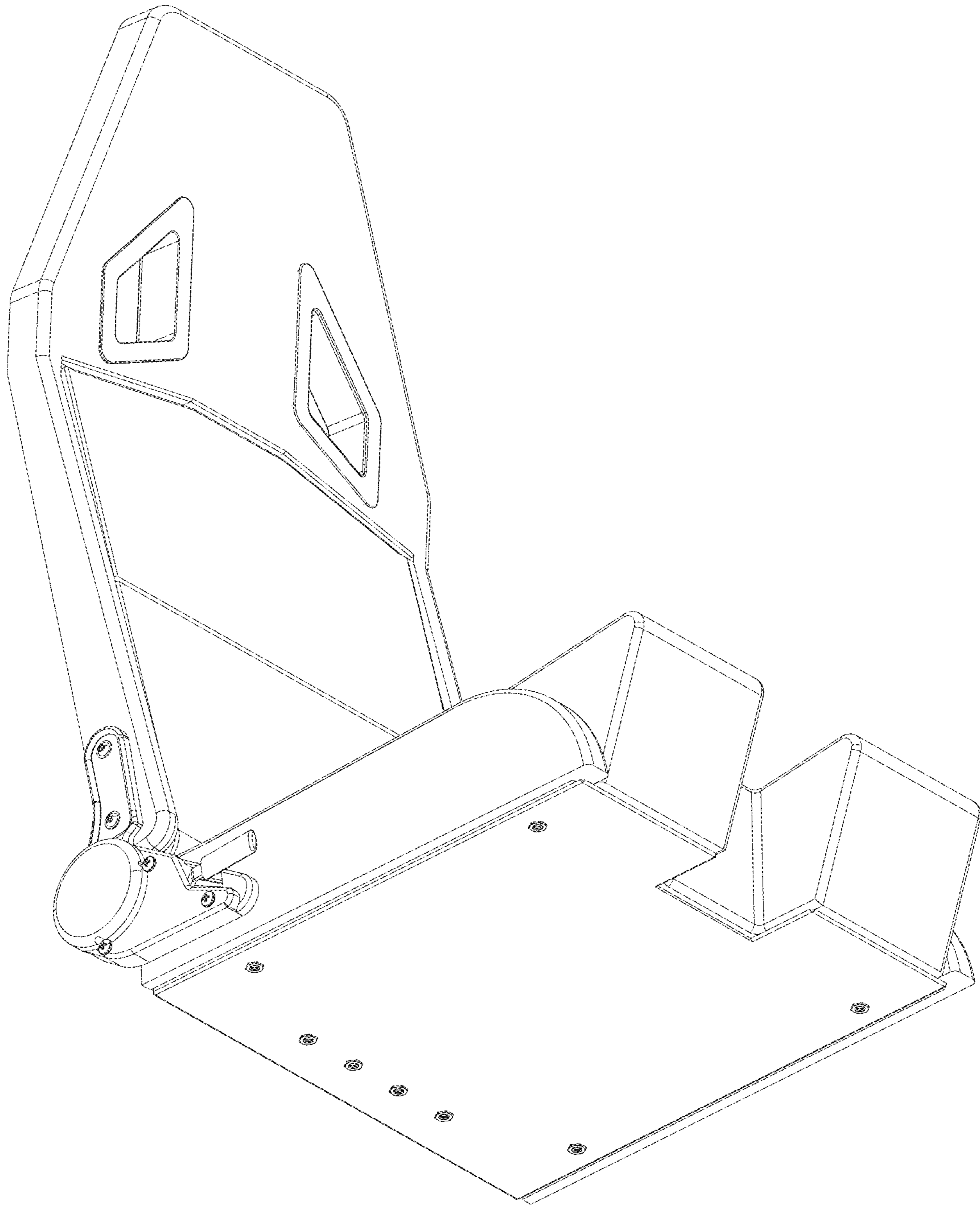


FIG. 9

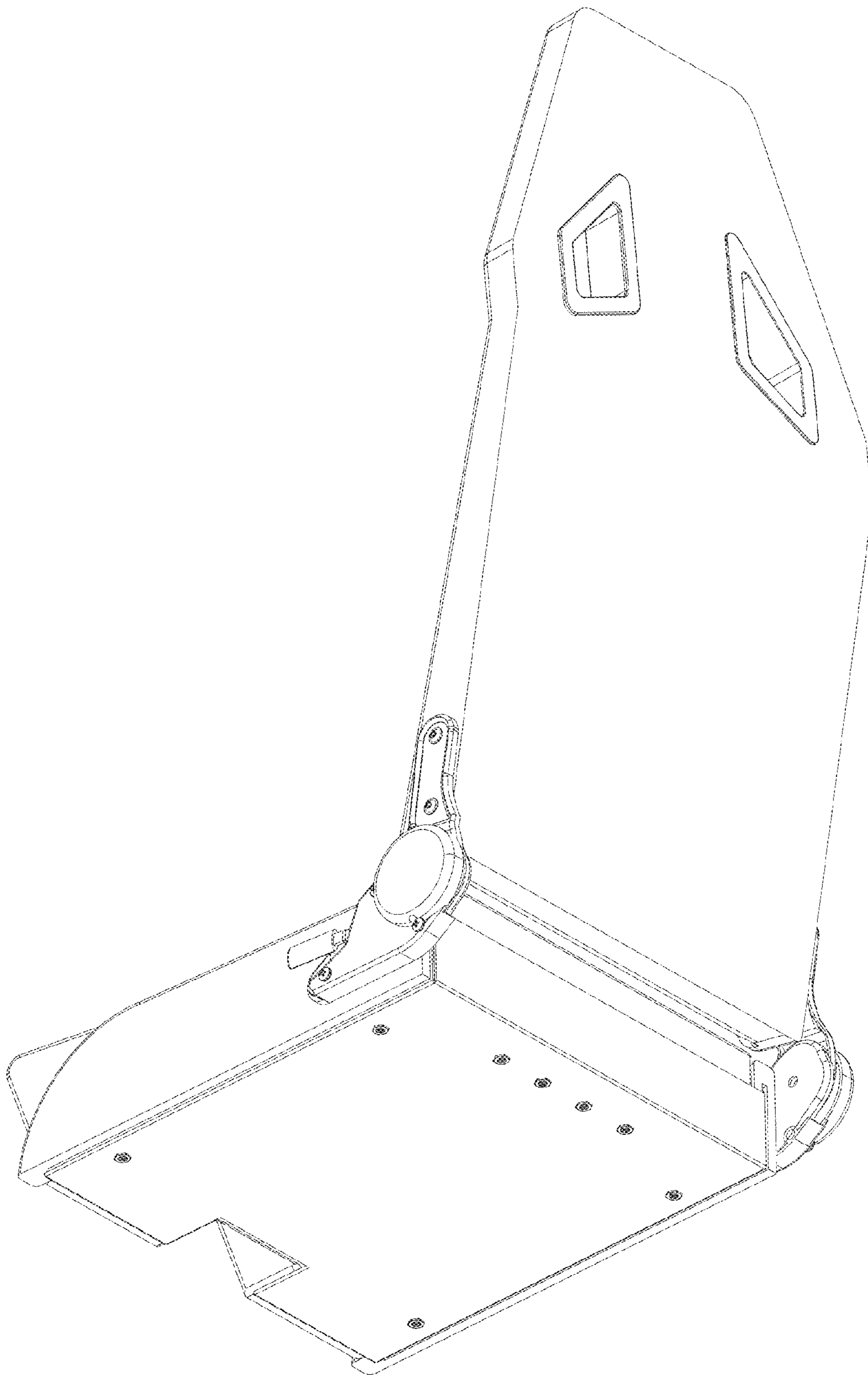


FIG. 10