



US00D979962S

(12) **United States Design Patent**
Lam

(10) **Patent No.:** **US D979,962 S**
(45) **Date of Patent:** **** Mar. 7, 2023**

- (54) **BICYCLE SEAT**
- (71) Applicant: **Yuenbiu Lam**, Hong Kong (CN)
- (72) Inventor: **Yuenbiu Lam**, Hong Kong (CN)
- (73) Assignee: **Yuenbiu Lam**, Hong Kong (HK)
- (**) Term: **15 Years**
- (21) Appl. No.: **29/857,054**
- (22) Filed: **Oct. 19, 2022**
- (51) **LOC (14) Cl.** **06-01**
- (52) **U.S. Cl.**
USPC **D6/354**
- (58) **Field of Classification Search**
USPC D6/340, 354; D12/110, 111
CPC ... B62J 1/002; B62J 1/005; B62J 1/007; B62J
1/26
See application file for complete search history.

- D720,548 S * 1/2015 Yu D6/354
- D722,446 S * 2/2015 Toll B62J 1/00
D6/354
- D879,488 S * 3/2020 Liu D6/354
- D899,118 S * 10/2020 Supowitz D6/354
- D904,050 S * 12/2020 Wang D6/354
- D930,375 S * 9/2021 Jiang D6/354
- D944,023 S * 2/2022 Bigolin
- D949,584 S * 4/2022 Jiang D6/354
- D952,364 S * 5/2022 Ji D6/354

* cited by examiner

Primary Examiner — Natasha Vujcic
(74) *Attorney, Agent, or Firm* — Nitin Kaushik

(57) **CLAIM**

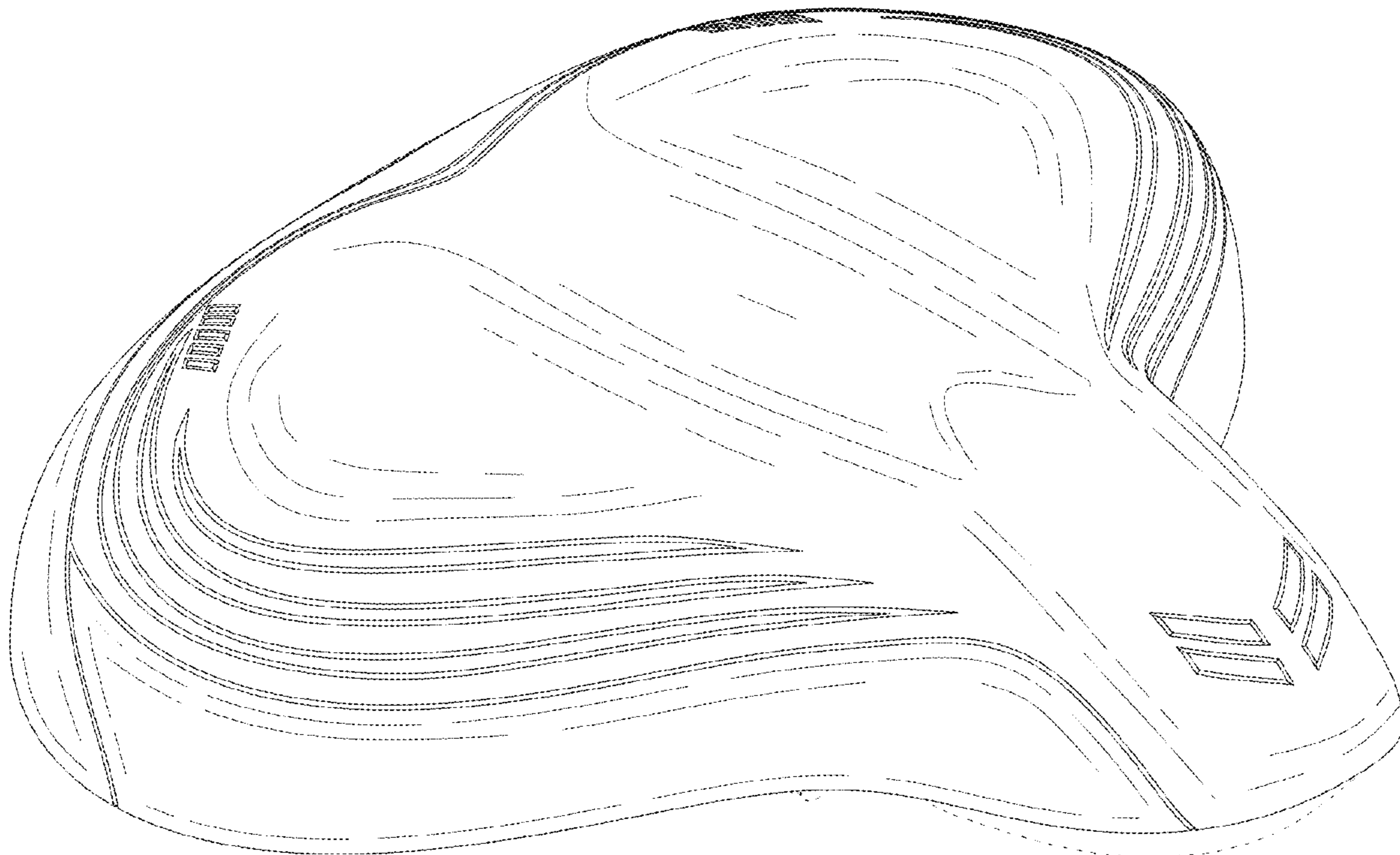
The ornamental design for a bicycle seat, as shown and described.

DESCRIPTION

FIG. 1 is a front perspective view of a bicycle seat, showing my new design;
FIG. 2 is a front view thereof;
FIG. 3 is a rear view thereof;
FIG. 4 is a left side view thereof;
FIG. 5 is a right side view thereof;
FIG. 6 is a top view thereof; and,
FIG. 7 is a bottom view thereof.
The broken lines in the drawings illustrate the portions of the bicycle seat, which form no part of the claimed design.

1 Claim, 7 Drawing Sheets

- (56) **References Cited**
U.S. PATENT DOCUMENTS
- D26,893 S * 4/1897 Craig D6/354
- D27,616 S * 8/1897 Rusch D6/354
- D370,132 S * 5/1996 Urias D6/354
- D428,270 S * 7/2000 Bigolin D6/354
- D454,259 S * 3/2002 Yates D6/354
- D456,623 S * 5/2002 Yates D6/354
- D460,299 S * 7/2002 Lundsgaard D6/716.1
- D684,780 S * 6/2013 Toll D6/354



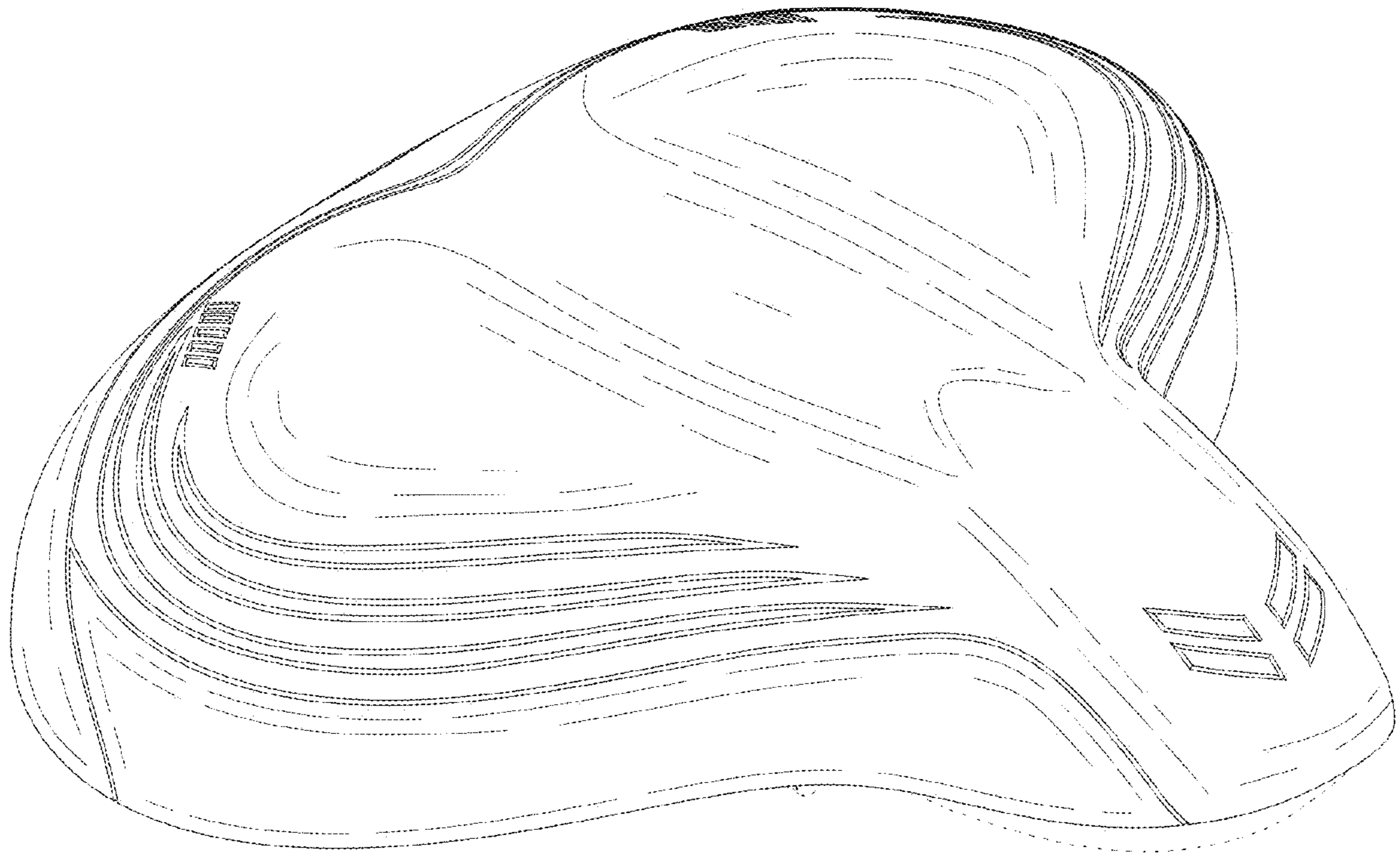


FIG. 1

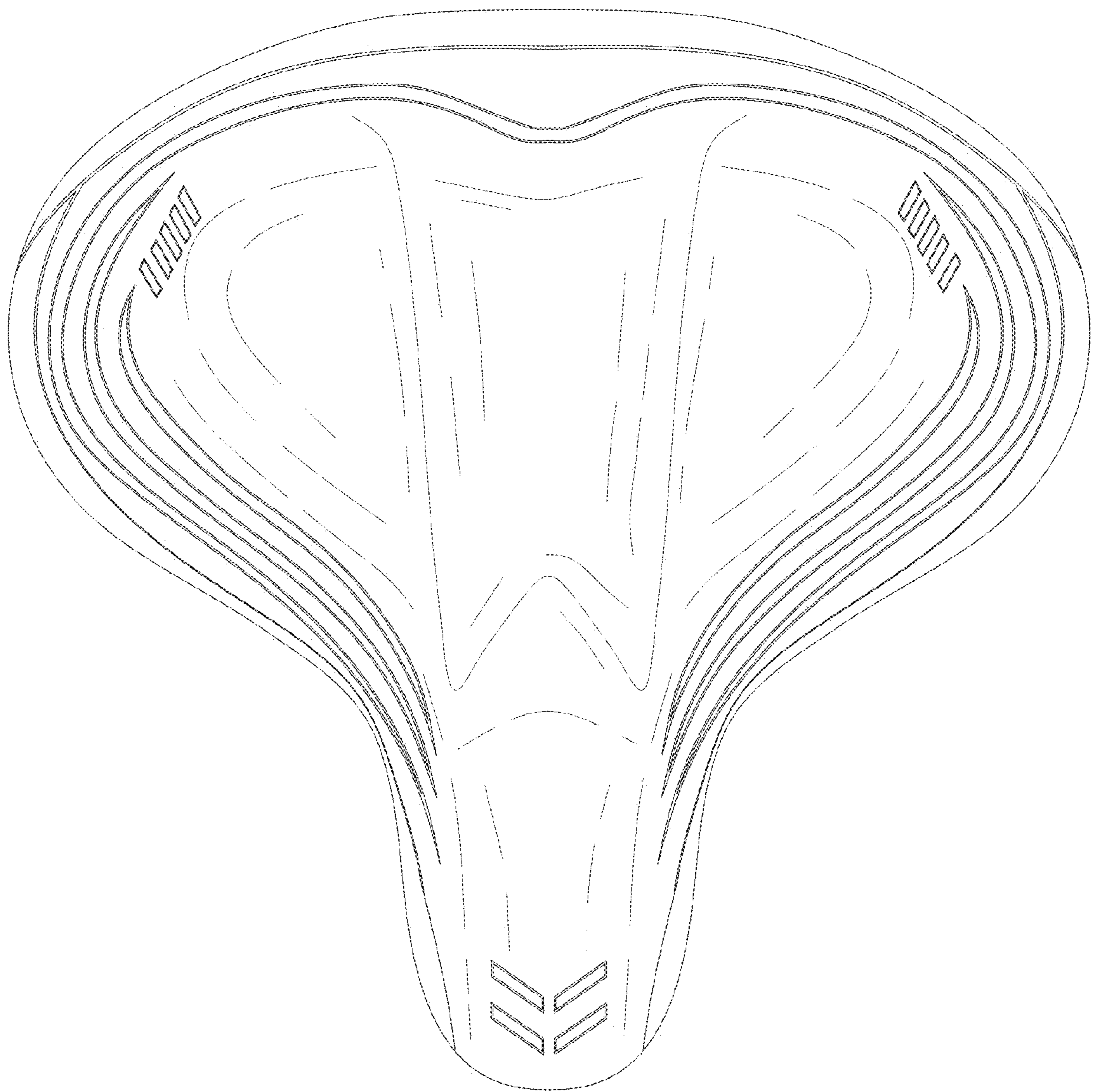


FIG. 2

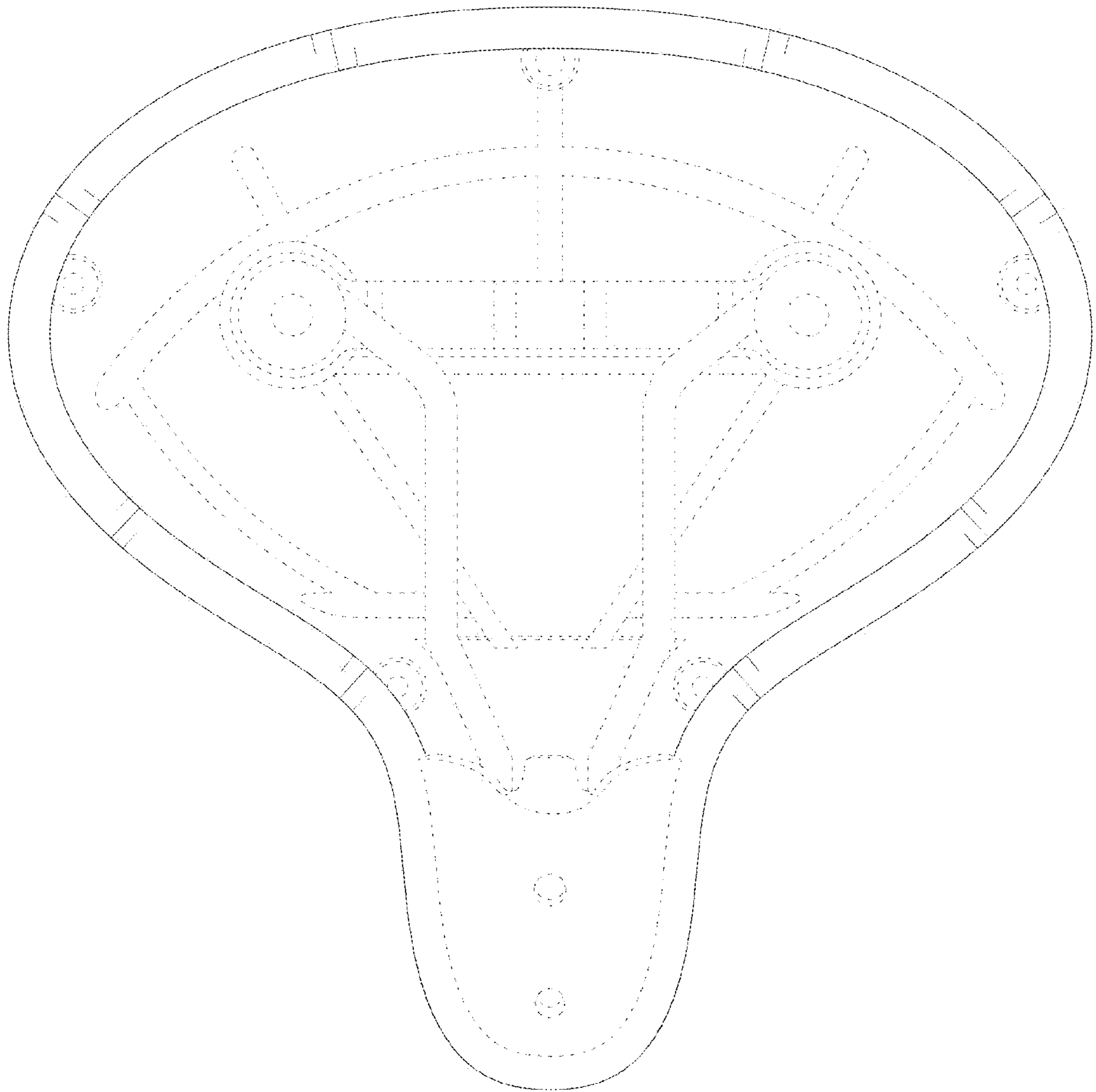


FIG. 3

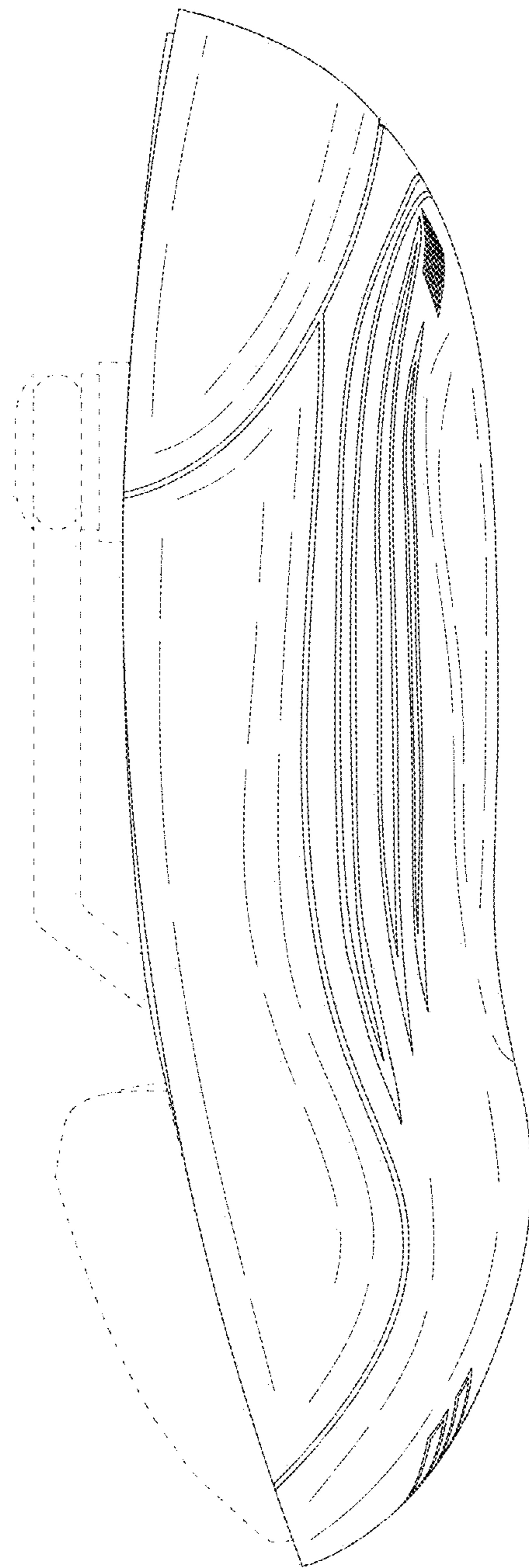


FIG. 4

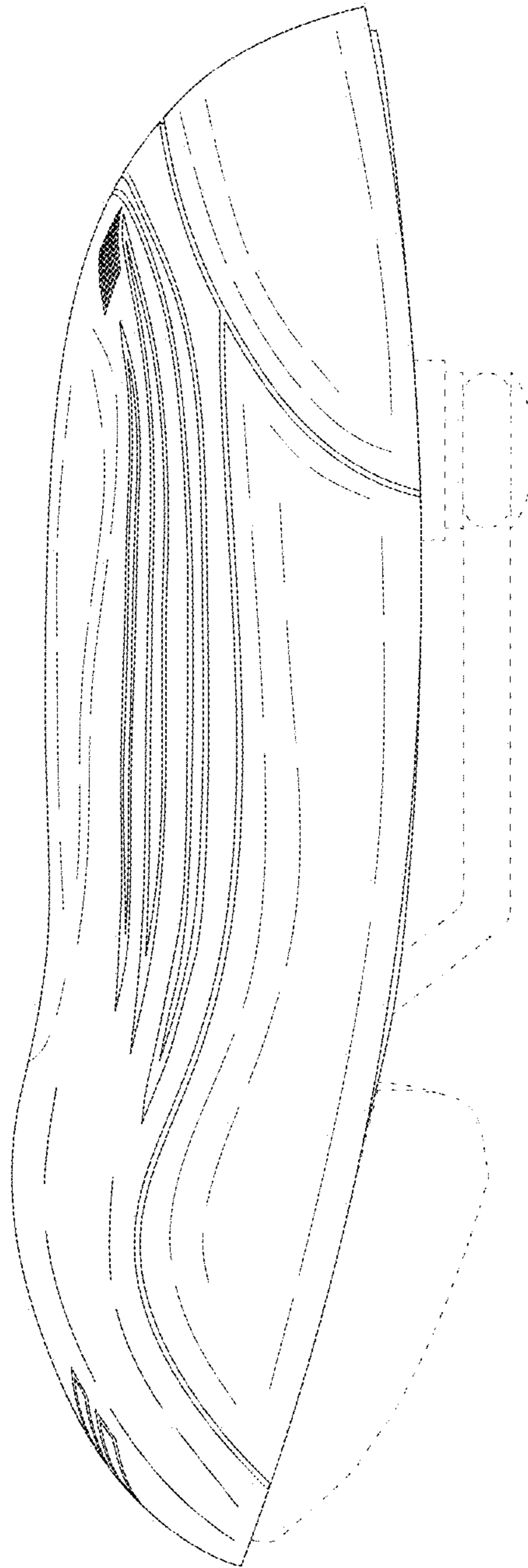


FIG. 5

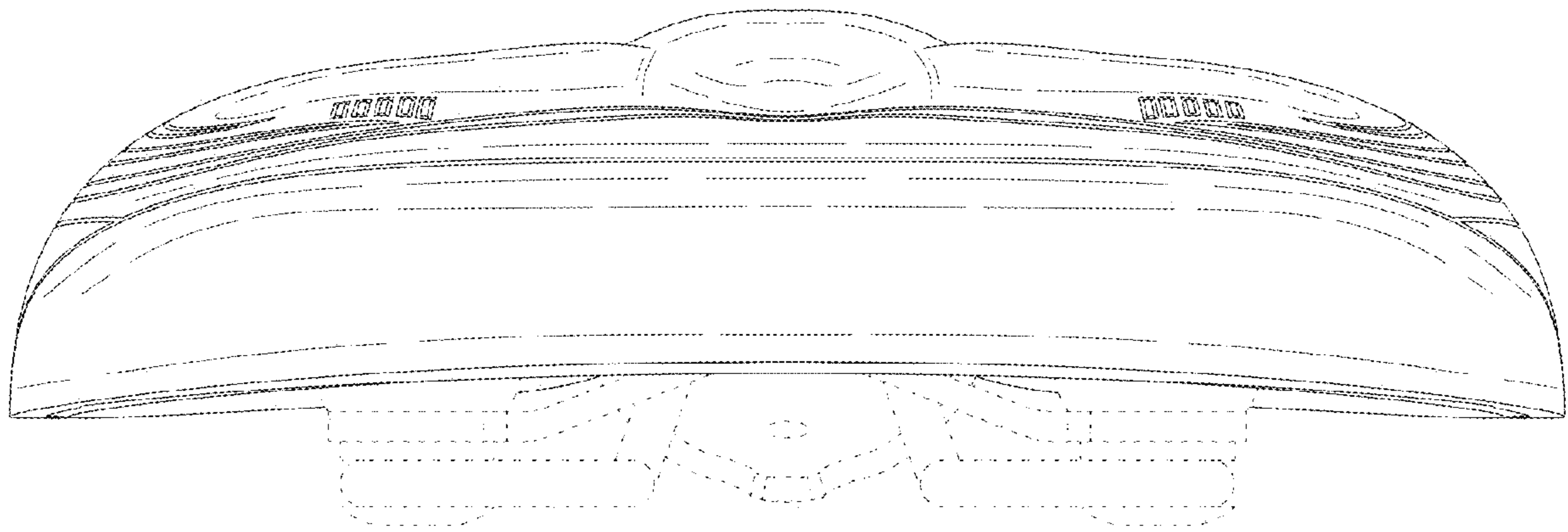


FIG. 6

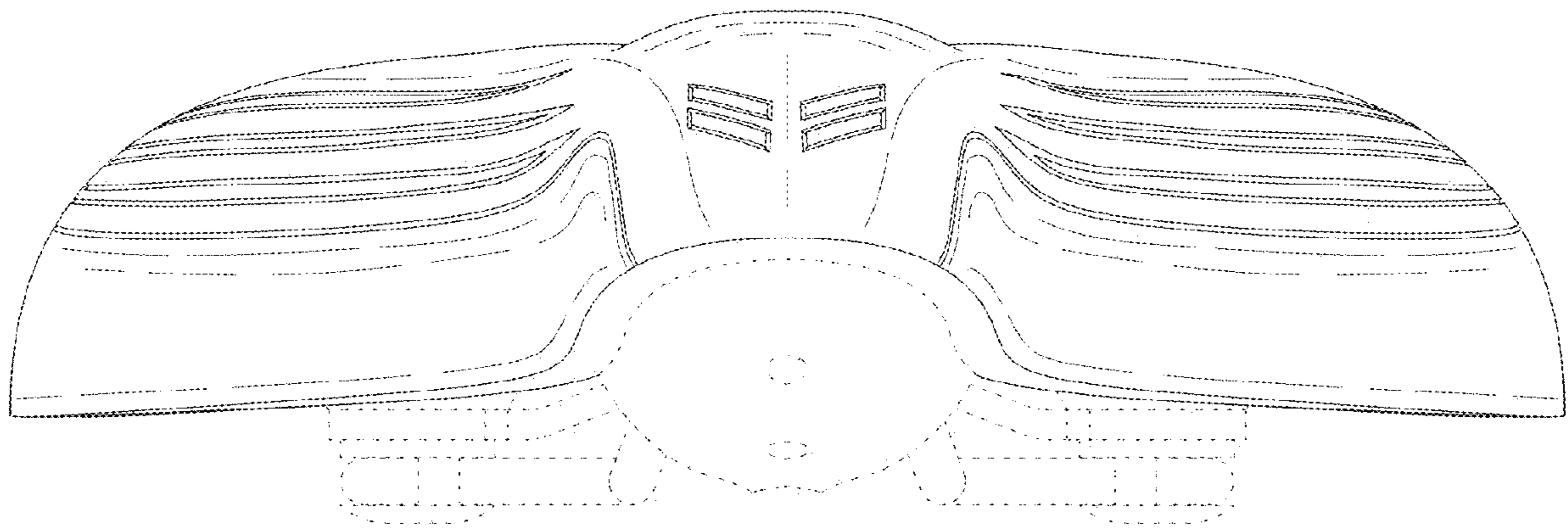


FIG. 7