



US00D979959S

(12) **United States Design Patent**
Xiao

(10) **Patent No.:** **US D979,959 S**
(45) **Date of Patent:** **** Mar. 7, 2023**

- (54) **OUTDOOR OTTOMAN**
- (71) Applicant: **Xiaomin Xiao**, Ninghua (CN)
- (72) Inventor: **Xiaomin Xiao**, Ninghua (CN)
- (**) Term: **15 Years**
- (21) Appl. No.: **29/786,477**
- (22) Filed: **Jun. 1, 2021**
- (51) **LOC (14) Cl.** **06-01**
- (52) **U.S. Cl.**
USPC **D6/349**
- (58) **Field of Classification Search**
USPC D6/334, 335, 344, 348, 349–353,
D6/364–365, 691–691.9, 692–692.6, 694,
D6/698, 700, 707.2, 708, 708.17, 708.25,
D6/716–716.1, 716.11
CPC ... A47C 12/00; A47C 13/00; A47C 16/02–04;
A47K 17/02; A47K 17/028
See application file for complete search history.

- D723,814 S * 3/2015 Hagstrom D6/335
- D736,869 S * 8/2015 Harker D21/686
- D810,452 S 2/2018 Gu
- D881,593 S 4/2020 Li
- D886,478 S 6/2020 Sokol
- (Continued)

OTHER PUBLICATIONS

Summerville Outdoor Ottomans . . . [online] First available on Amazon Sep. 29, 2020. Retrieved from URL: <https://www.amazon.com/Summerville-Textliene-Furniture-Aluminum-Footstools/dp/B08KDDHNV5> (Year: 2020).*

(Continued)

Primary Examiner — Michael A. Pratt
(74) *Attorney, Agent, or Firm* — Rumit Ranjit Kanakia

(57) **CLAIM**

The ornamental design for an outdoor ottoman, as shown and described.

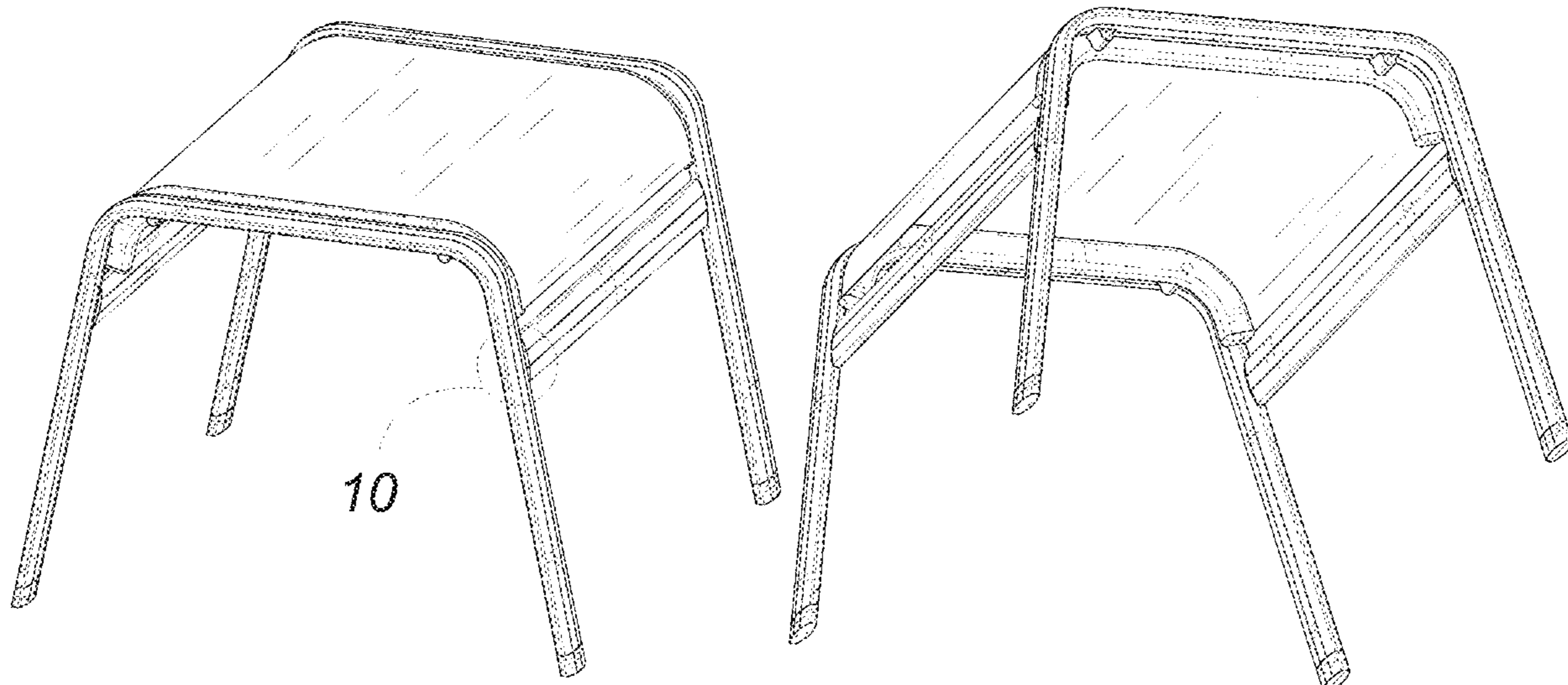
DESCRIPTION

FIG. 1 is a front elevation view of an outdoor ottoman showing my new design;
 FIG. 2 is a rear elevation view thereof;
 FIG. 3 is a left elevation view thereof;
 FIG. 4 is a right side view thereof;
 FIG. 5 is a top side view thereof;
 FIG. 6 is a bottom plan view thereof;
 FIG. 7 is a perspective view thereof;
 FIG. 8 is another perspective view thereof;
 FIG. 9 is an enlarged view of the encircled area labeled “9” in FIG. 6; and,
 FIG. 10 is an enlarged view of the encircled area labeled “10” in FIG. 7.
 The broken lines in the figures are for the purpose of illustrating portions of the outdoor ottoman, that form no part of the claimed design.

1 Claim, 10 Drawing Sheets

(56) **References Cited**
U.S. PATENT DOCUMENTS

- D224,636 S * 8/1972 Ball D6/691.8
- D273,351 S * 4/1984 Crockett D6/349
- D278,864 S * 5/1985 Borichevsky D6/349
- D287,316 S * 12/1986 Vanderminden D6/349
- D339,179 S * 9/1993 Wilkinson D6/350
- D357,362 S * 4/1995 Pedersen D6/371
- D357,375 S * 4/1995 Noll D6/692.6
- D363,824 S * 11/1995 Lyons D6/349
- D427,791 S 7/2000 Peterson
- D557,513 S * 12/2007 Benden D6/349
- D652,651 S * 1/2012 Wittenberg D6/403
- D661,129 S * 6/2012 Schweikarth D6/349
- D681,356 S 5/2013 Iwasaki
- D681,967 S 5/2013 Schoolmeester
- D687,639 S 8/2013 Grotta
- D687,640 S * 8/2013 Pedersen D6/369
- D693,585 S * 11/2013 Pedersen D6/355
- D705,556 S * 5/2014 Udagawa D6/349



(56)

References Cited

U.S. PATENT DOCUMENTS

D909,774 S * 2/2021 Jacoby D6/335
D919,311 S 5/2021 Jin
D919,986 S 5/2021 Li
D935,794 S * 11/2021 Nardi D6/349

OTHER PUBLICATIONS

Deguifei Outdoor Patio Footstools Aluminum Outdoor Ottomans . . . [online] Earliest review date of Jul. 26, 2021. Retrieved from URL: <https://www.u-buy.com.ng/product/1BRLBZYDK-deguifei-outdoor-ottomans-footstools-aluminum-patio-footrest-samll-seat-wicker-furniture-patio-ottoman-2-pieces> (Year: 2021).*

* cited by examiner

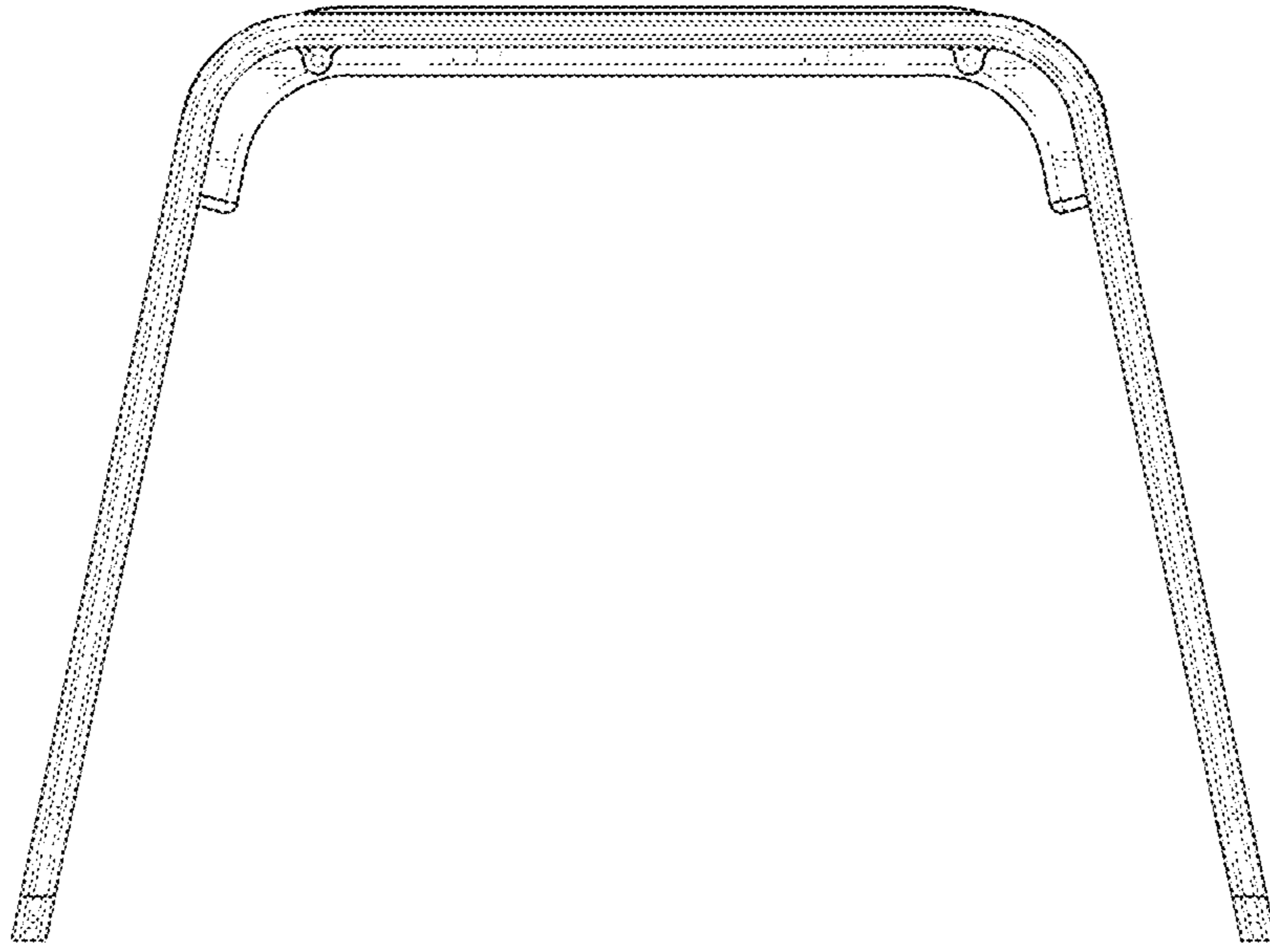


FIG. 1

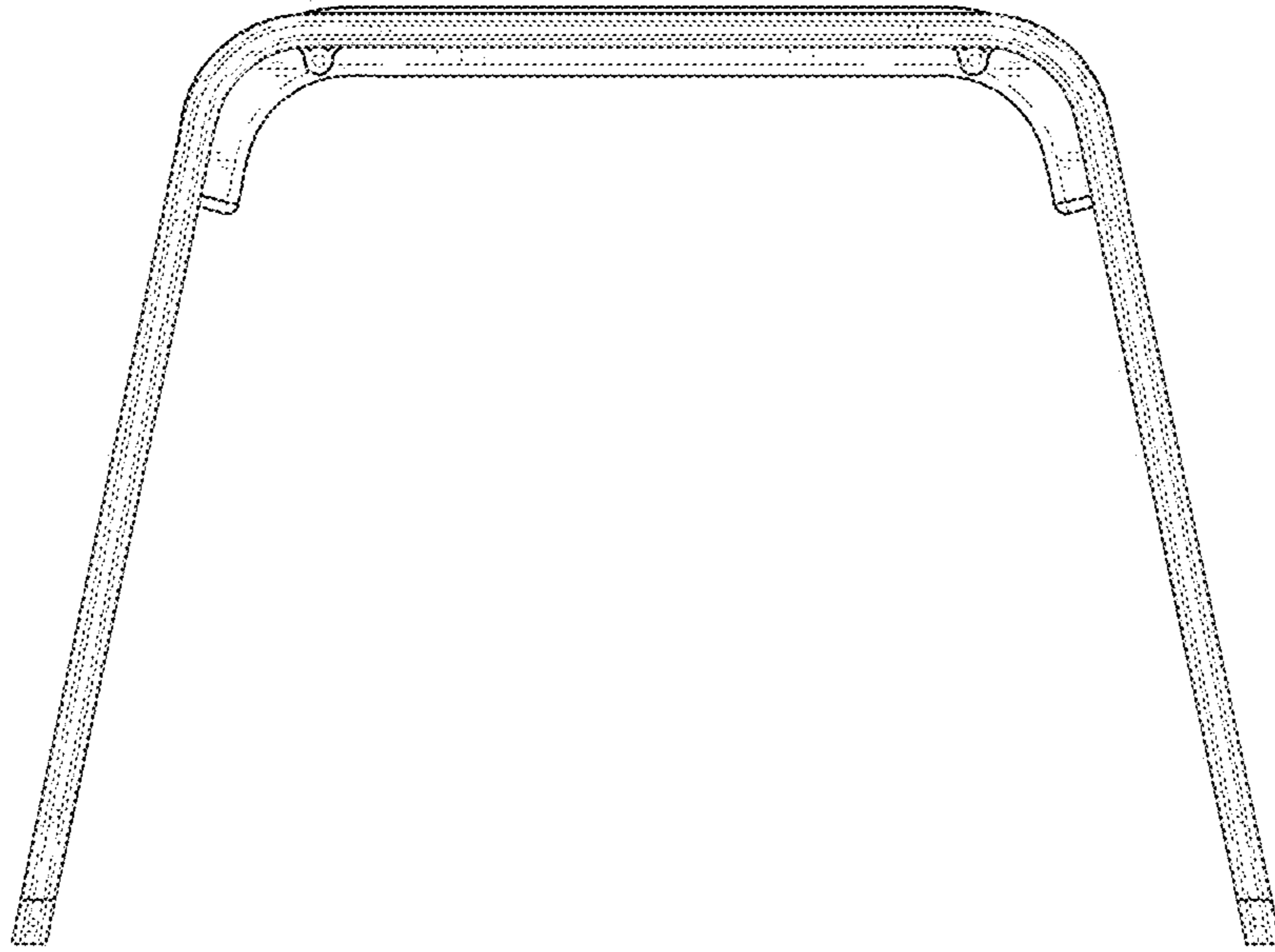


FIG. 2

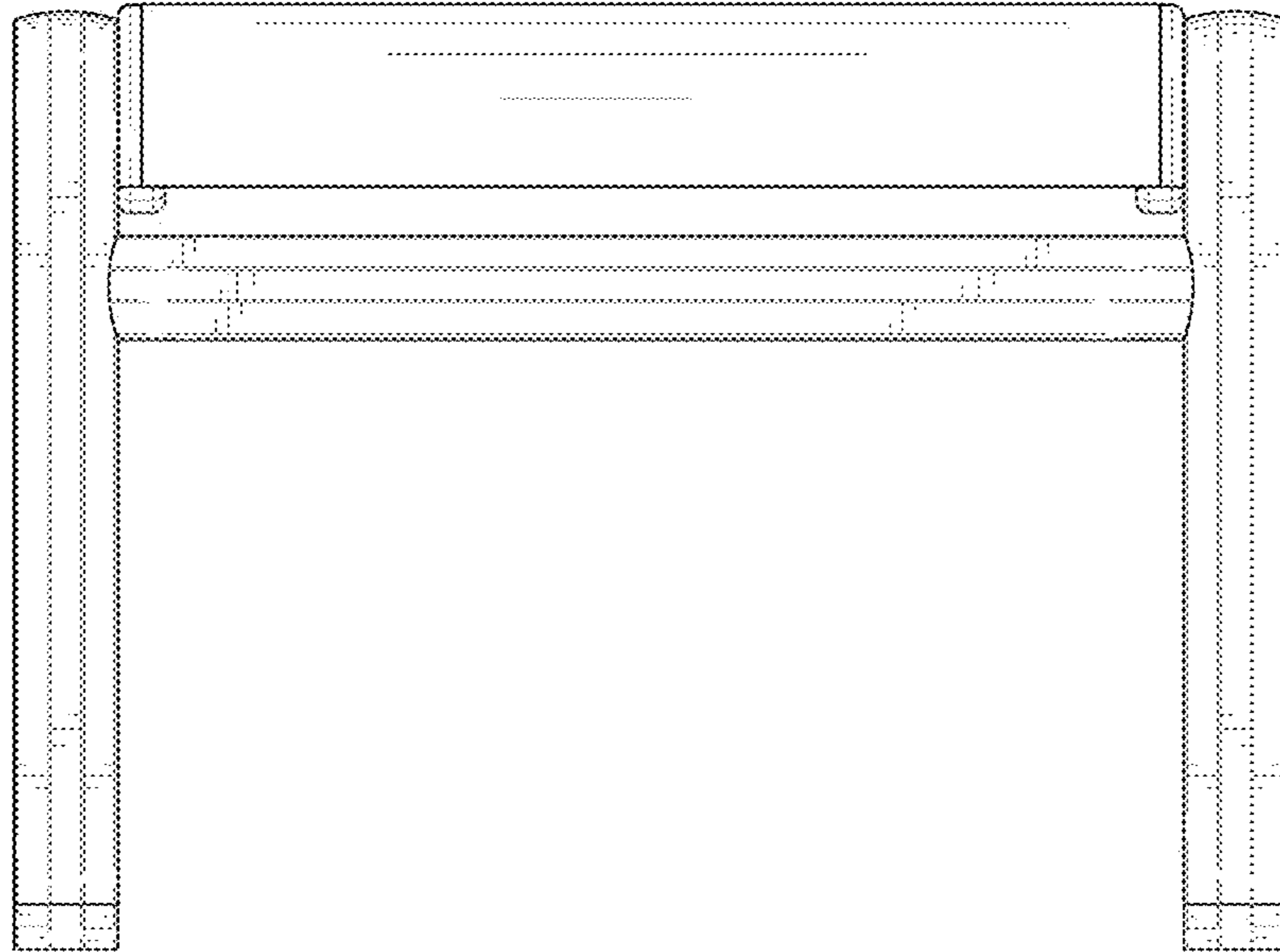


FIG. 3

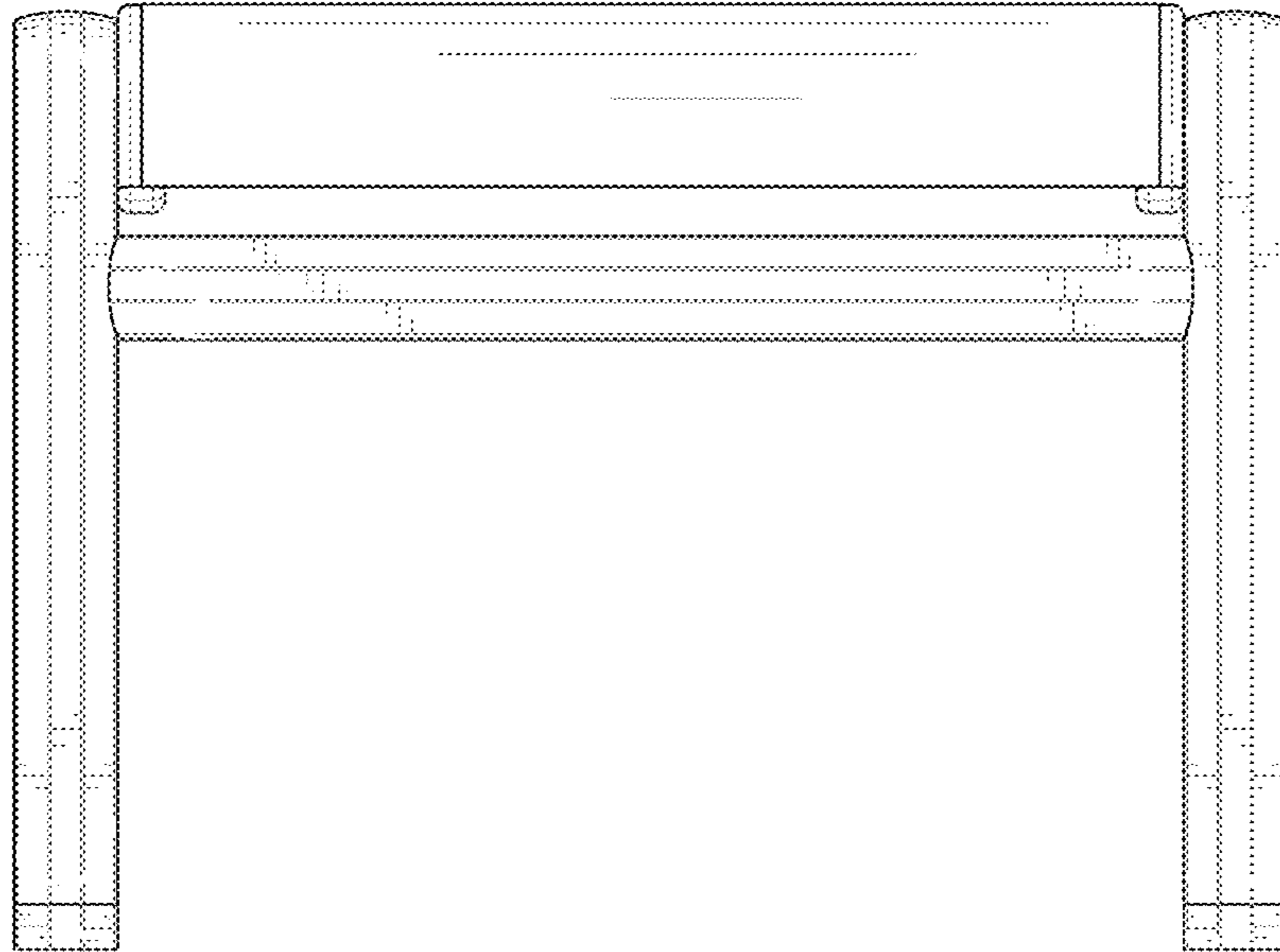


FIG. 4

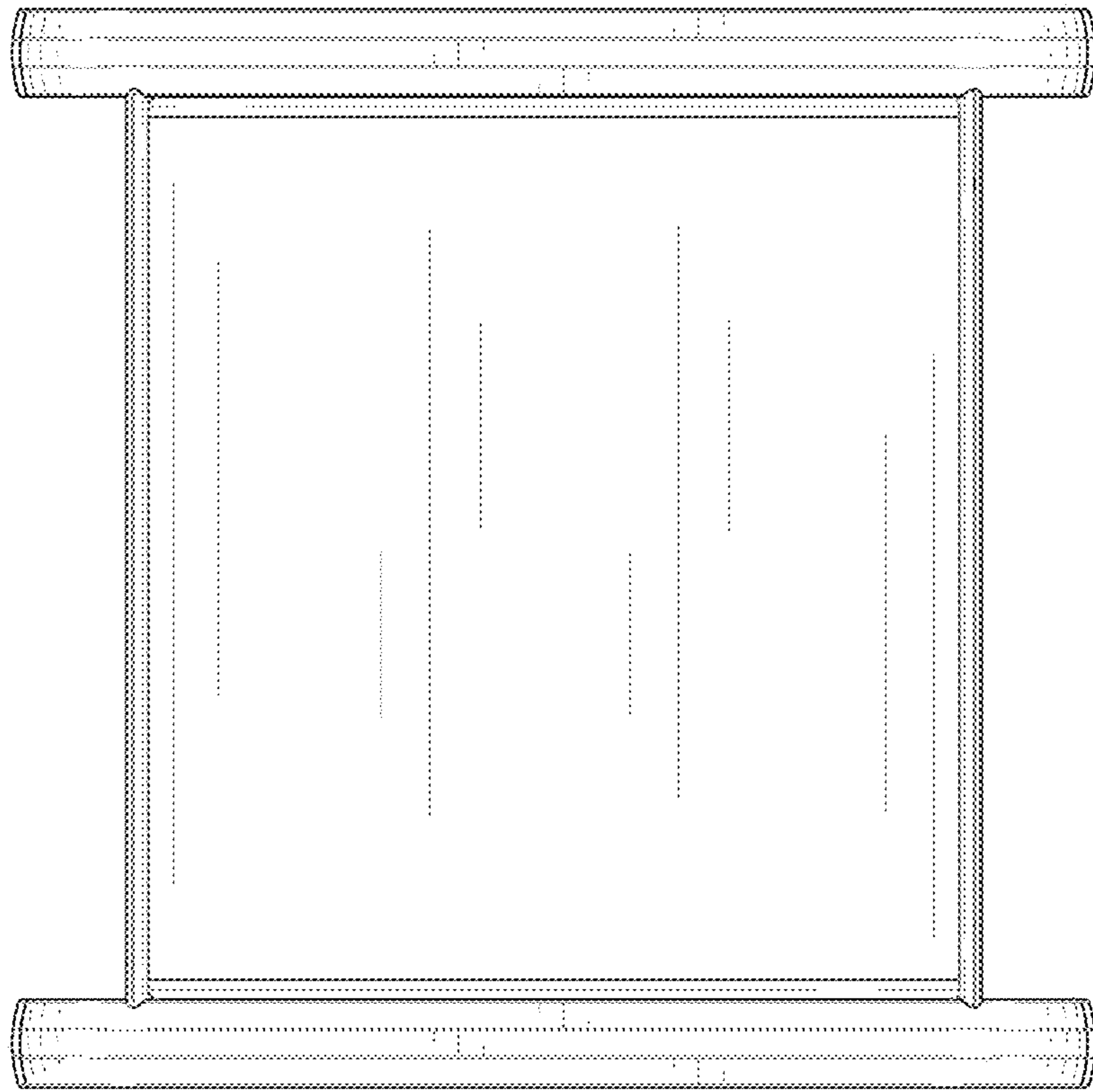


FIG. 5

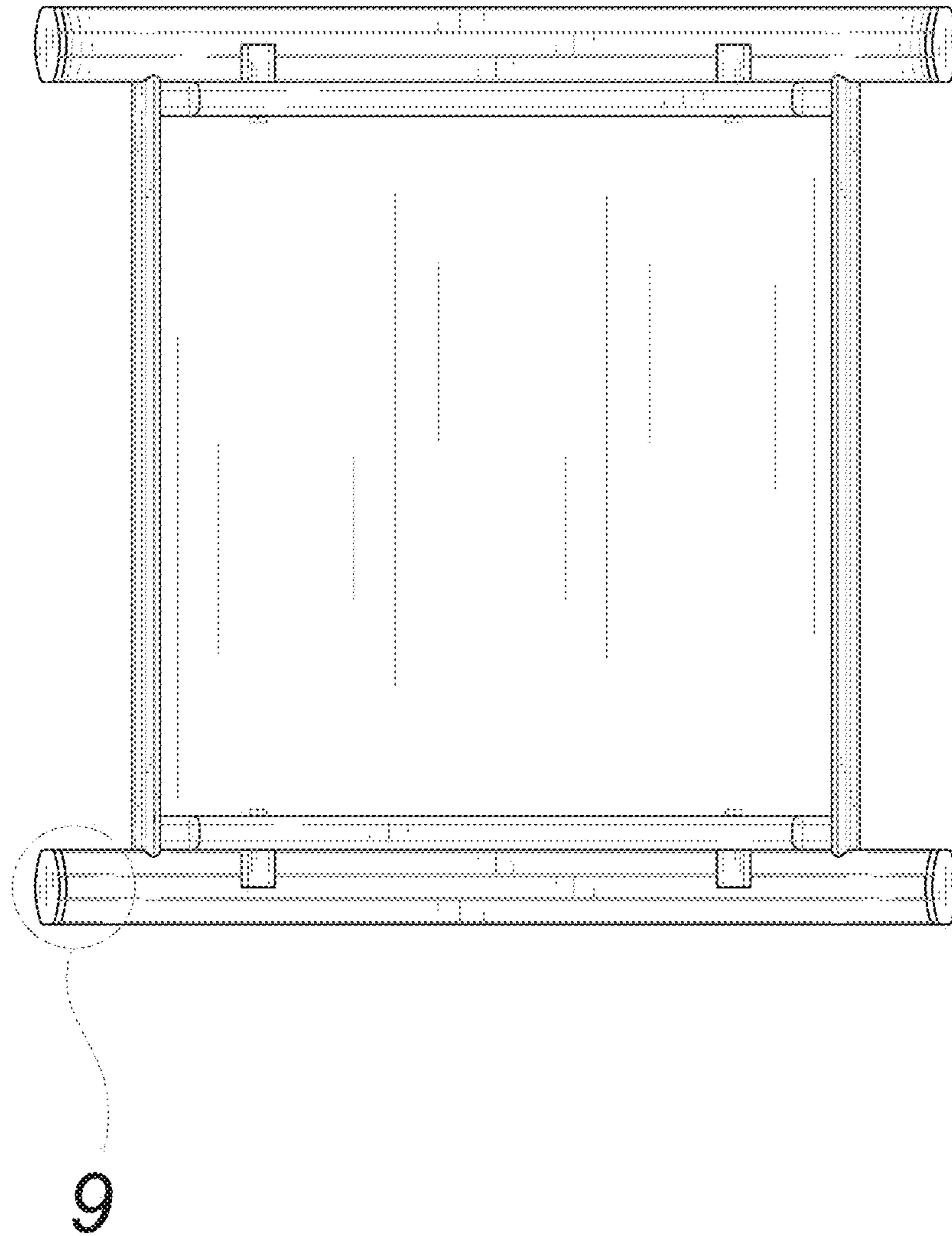


FIG. 6

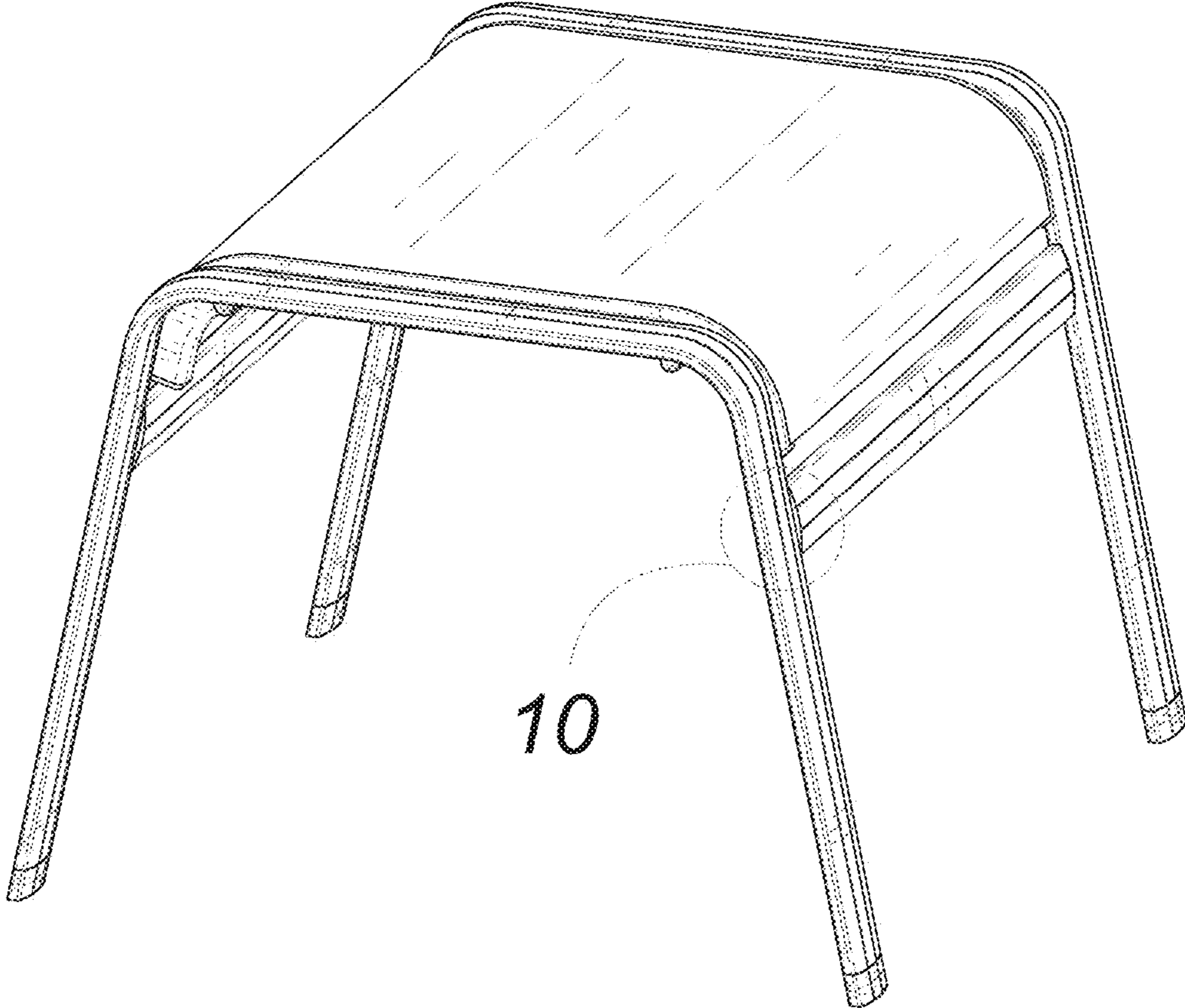


FIG. 7

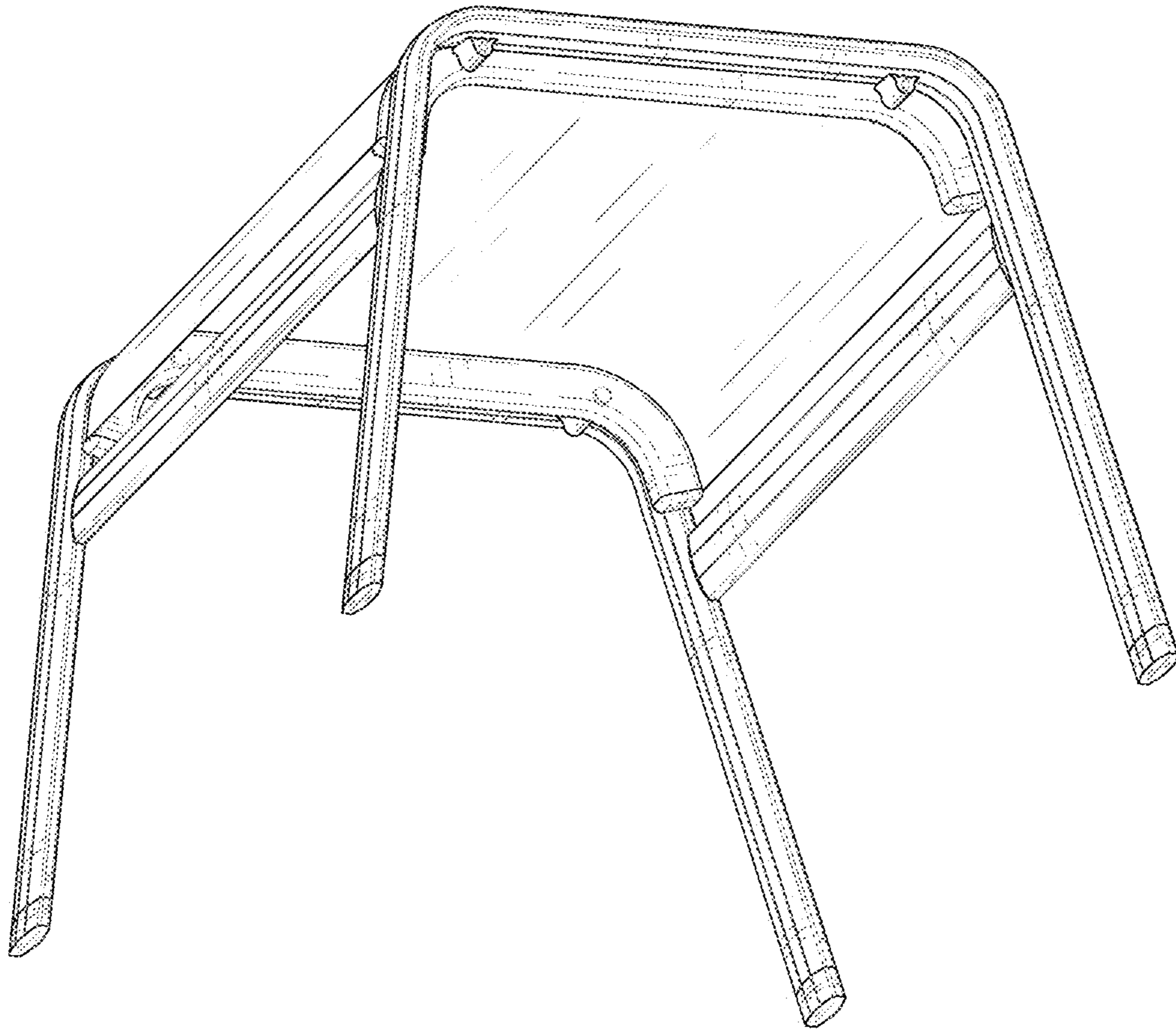


FIG. 8

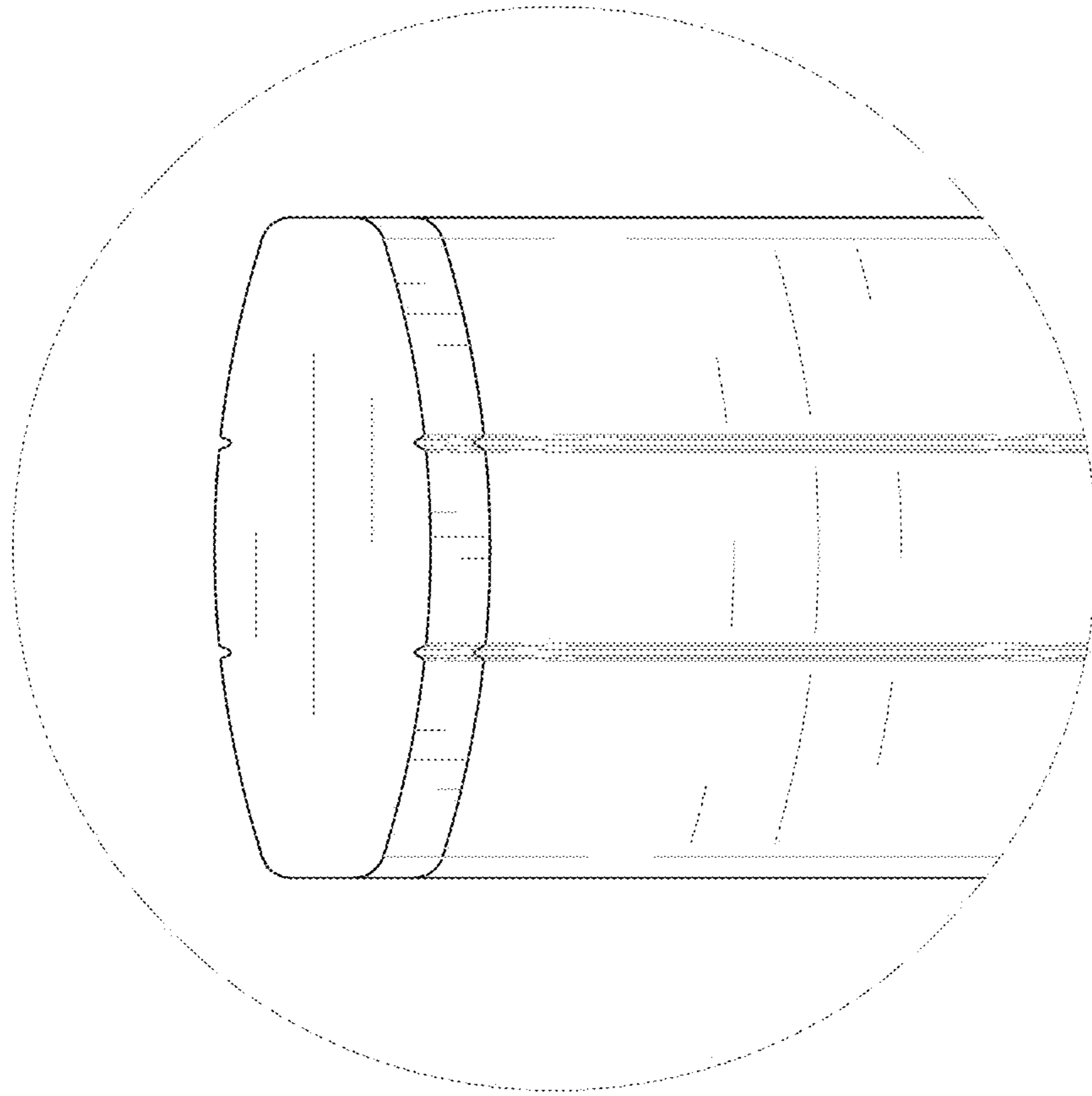


FIG. 9

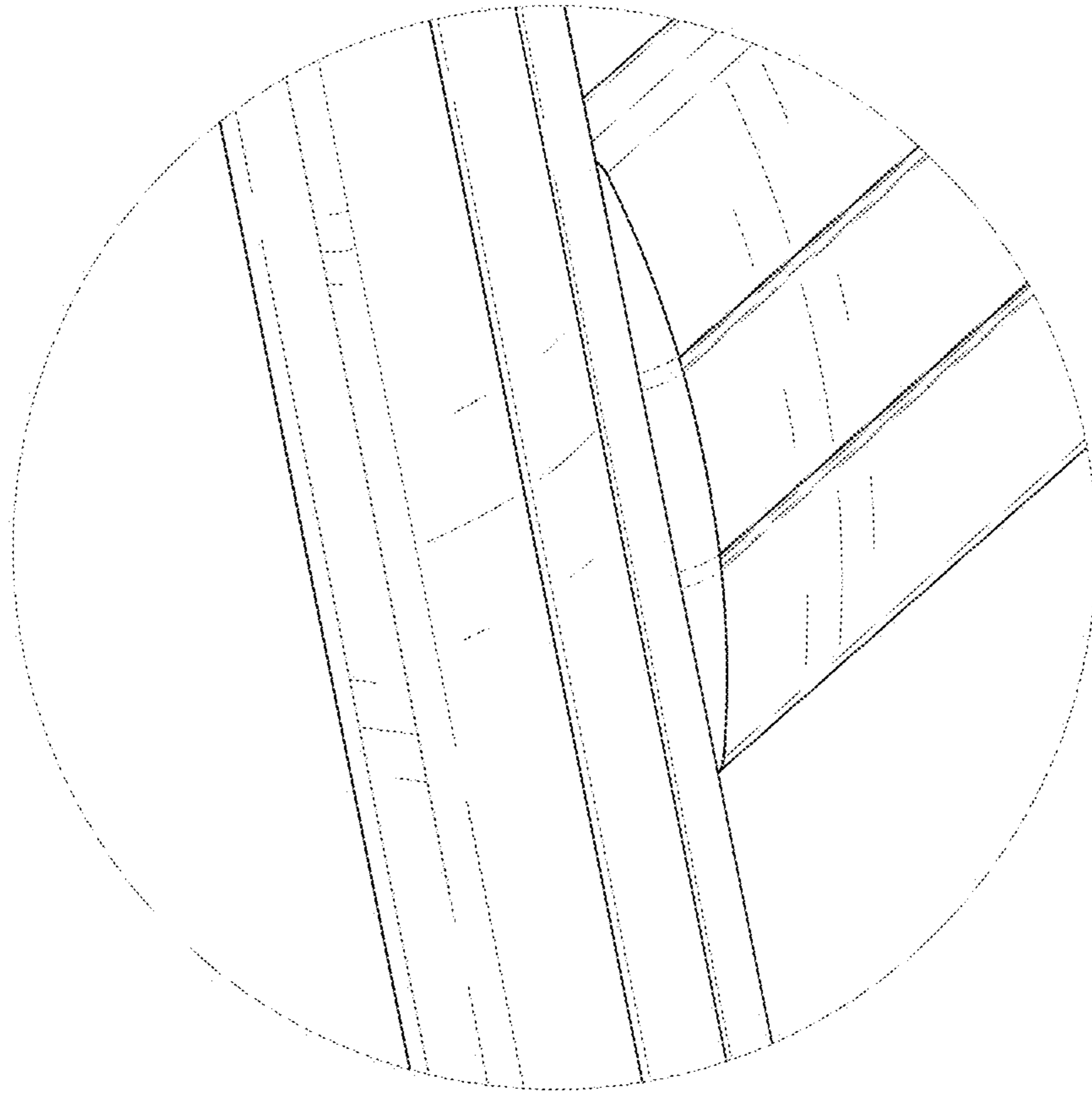


FIG. 10