



US00D979958S

(12) **United States Design Patent**
Lan

(10) **Patent No.:** **US D979,958 S**
(45) **Date of Patent:** **** Mar. 7, 2023**

- (54) **COLLAPSIBLE HANGING CHAIR**
- (71) Applicant: **SHENZHEN SUFEILAN TRADING COMPANY**, Shenzhen (CN)
- (72) Inventor: **Tian Lan**, Shenzhen (CN)
- (73) Assignee: **SHENZHEN SUFEILAN TRADING COMPANY**, Shenzhen (CN)
- (**) Term: **15 Years**
- (21) Appl. No.: **29/740,437**
- (22) Filed: **Jul. 3, 2020**
- (51) **LOC (14) Cl.** **06-01**
- (52) **U.S. Cl.**
USPC **D6/347**
- (58) **Field of Classification Search**
USPC D6/334-336, 344, 345, 347, 351, 358,
D6/369, 370, 375, 385, 386, 387, 716,
D6/716.1, 716.2, 716.3, 716.4, 708,
D6/708.16; D21/823
CPC A47C 5/02; A47C 5/04; A47C 3/12; A47C
7/282; A47C 7/285; A47C 4/06; A47C
4/18; A47C 4/30; A47C 3/0255; A45F
3/26; A63G 9/00; A63G 9/12; A63G
9/04; A63G 9/14; E04H 4/108; E04H
15/38
See application file for complete search history.

- 2015/0335136 A1* 11/2015 Wehner A45F 3/26
297/273
- 2020/0367653 A1* 11/2020 Xuemin A47C 3/0255
- 2022/0183467 A1* 6/2022 Sze A45F 3/26

OTHER PUBLICATIONS

Patio Hanging Egg Chair with Stand Swing Chair, Basket Swinging Chair, Porch Chaise Lounge Chair, Rattan Wicker Hammock Chair with Deep Cushion for Indoor Outdoor Home Bedroom Backyard Balcony (Gray), from amazon.com, Date First Available: Feb. 20, 2020, pp. 1, 2, 5, 7, <https://www.amazon.com/Hanging-Swinging-Hammock-Cushion-Backyard/dp/B084YVZ3YZ?th=1> (Year: 2020).*

Flash Furniture Cleo Patio Hanging Egg Chair, Wicker Hammock with Soft Seat Cushions & Swing Stand, Indoor/Outdoor Cushions, from target.com, Retrieved Date: Jan. 23, 2023, pp. 1,2, <https://www.target.com/p/flash-furniture-cleo-patio-hanging-egg-chair-wicker-hammock-with-soft-seat-cushions-swing-stand-indoor-outdoor-cushions/-/A-86901446> (Year: 2023).*

* cited by examiner

Primary Examiner — Mimosa De
(74) *Attorney, Agent, or Firm* — Andrew C. Cheng

(57) **CLAIM**

The ornamental design for a collapsible hanging chair, as shown and described.

DESCRIPTION

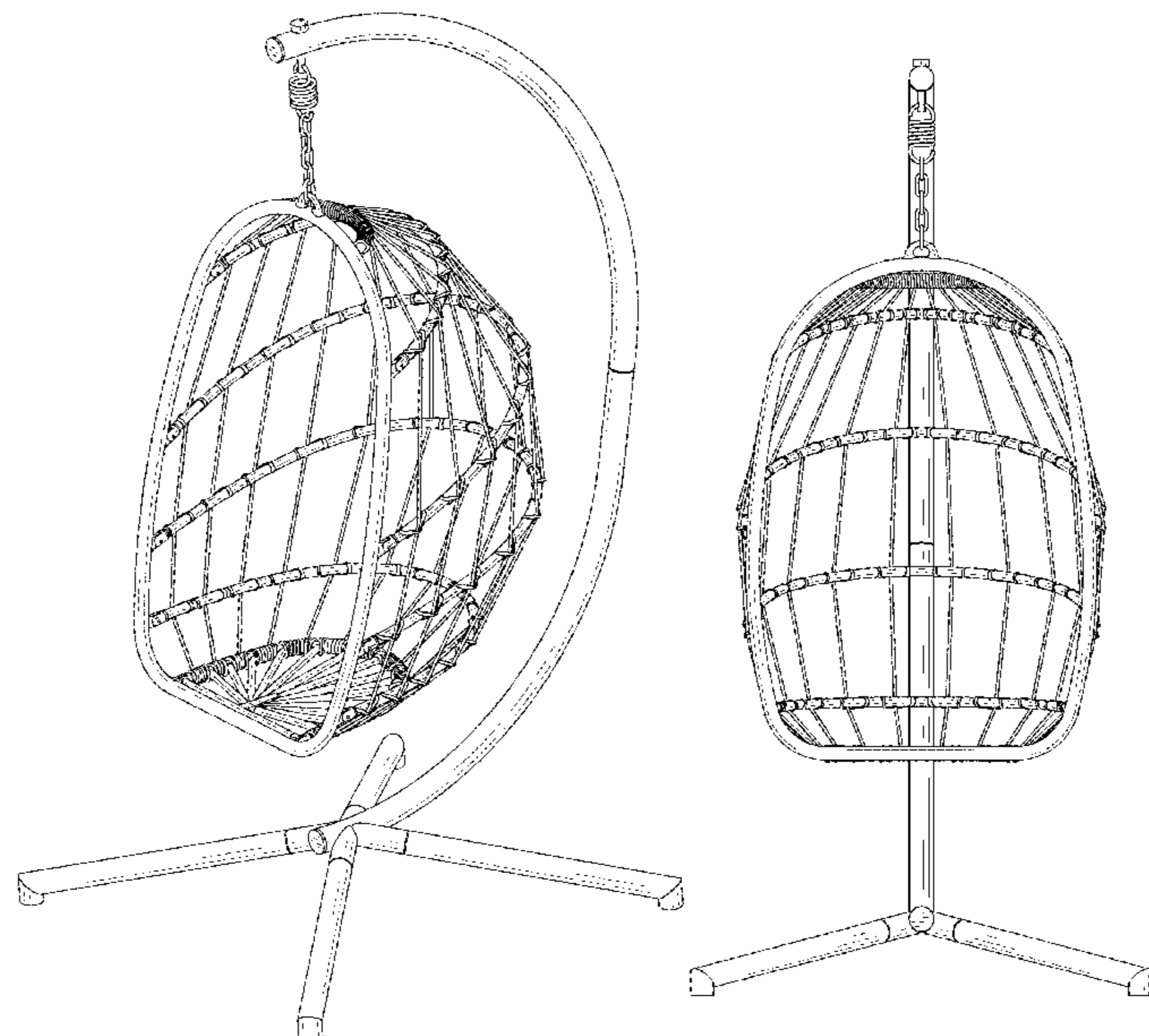
FIG. 1 is a perspective view of a collapsible hanging chair showing the new design;
FIG. 2 is a front elevational view thereof;
FIG. 3 is a rear elevational view thereof;
FIG. 4 is a left side view thereof;
FIG. 5 is a right side view thereof;
FIG. 6 is a top plan view thereof; and,
FIG. 7 is a bottom plan view thereof.

1 Claim, 7 Drawing Sheets

(56) **References Cited**

U.S. PATENT DOCUMENTS

- D738,123 S * 9/2015 Wu D6/347
- 10,631,647 B1 * 4/2020 Wu A45F 3/26
- D897,123 S * 9/2020 Tan D6/347
- D897,701 S * 10/2020 Tan D6/347
- D929,137 S * 8/2021 Shen D6/347
- D931,629 S * 9/2021 Xie D6/347
- 11,540,636 B1 * 1/2023 Yu A47C 3/0255



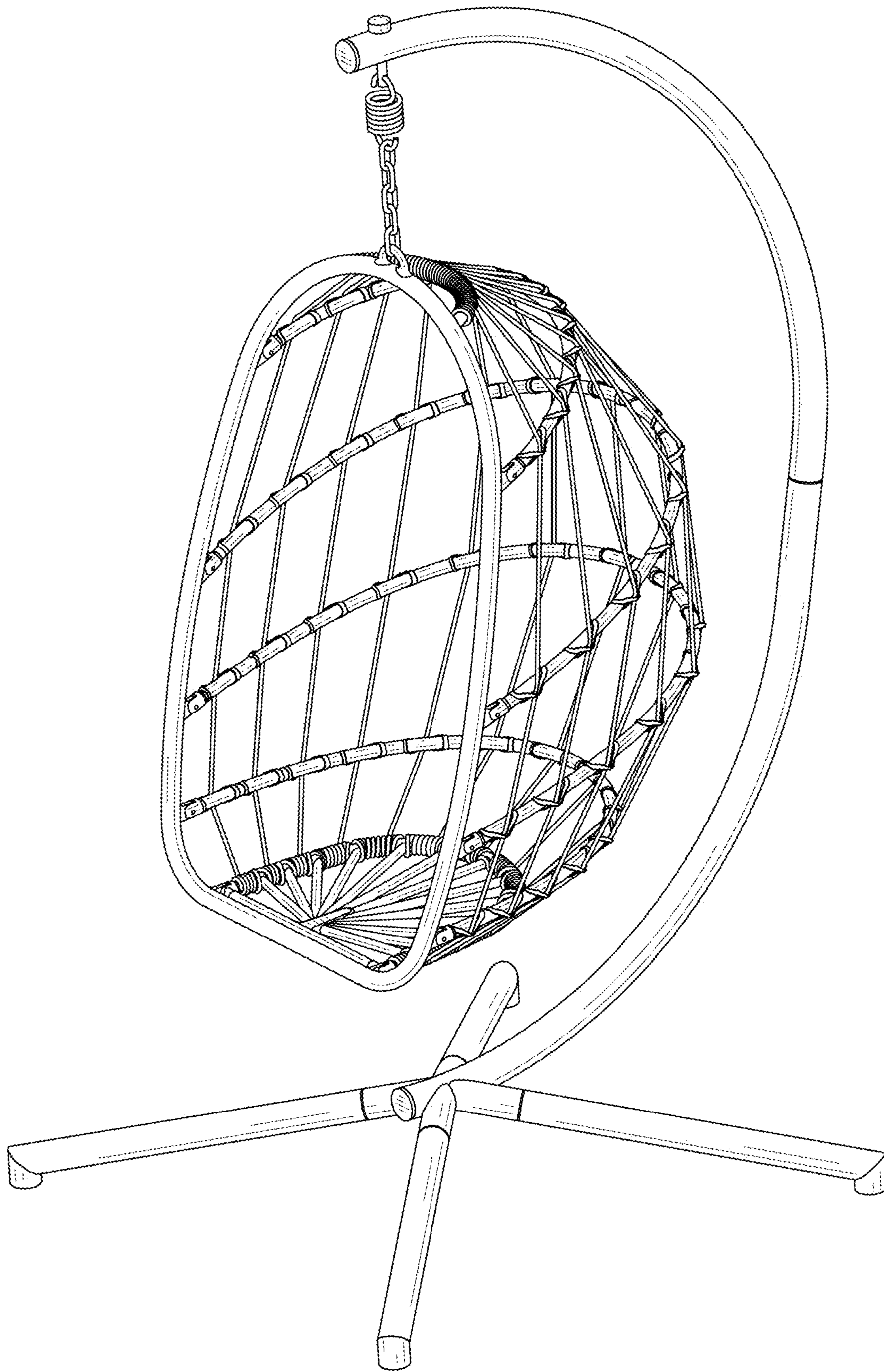


FIG. 1

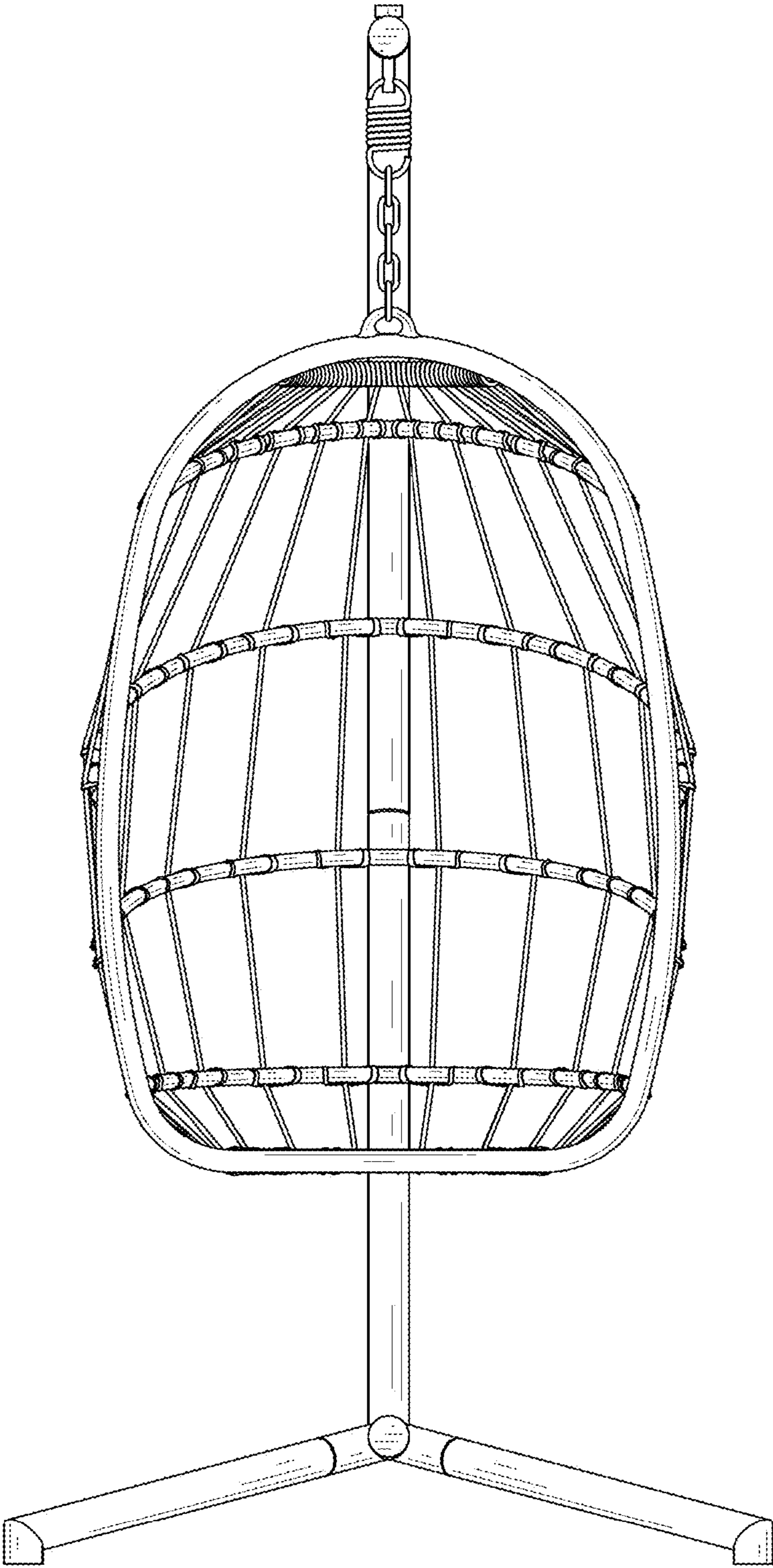


FIG. 2

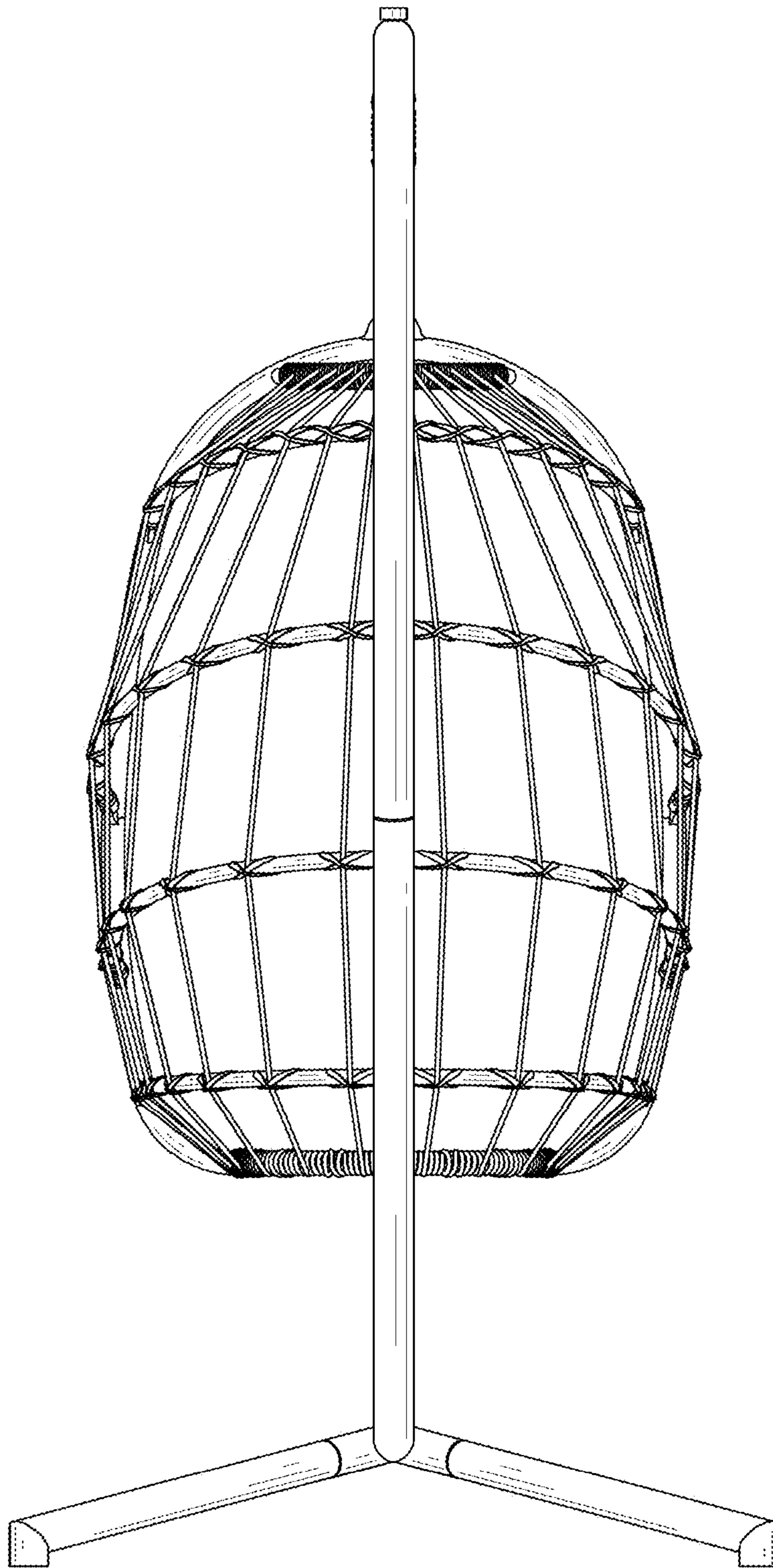


FIG. 3

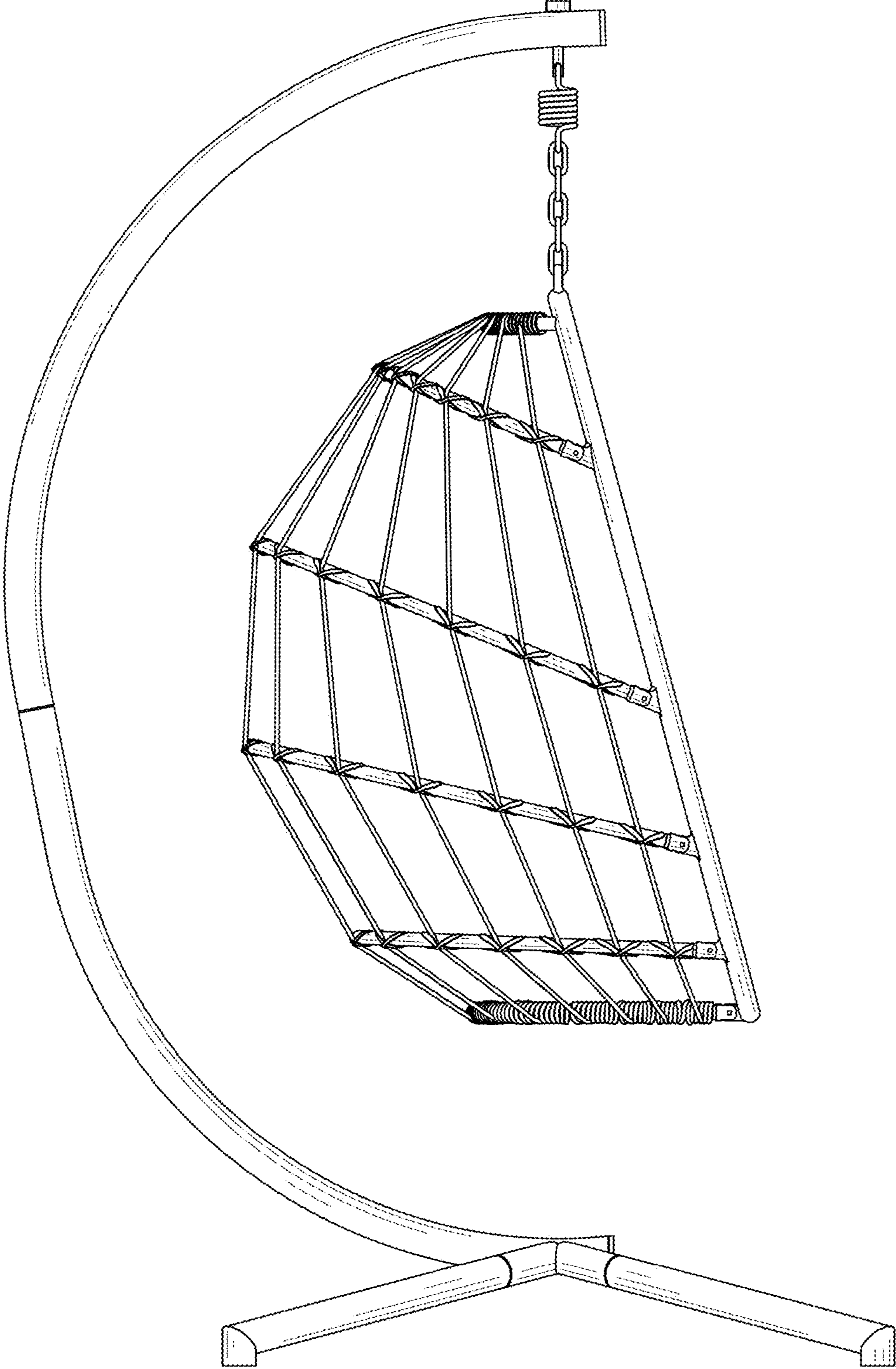


FIG. 4

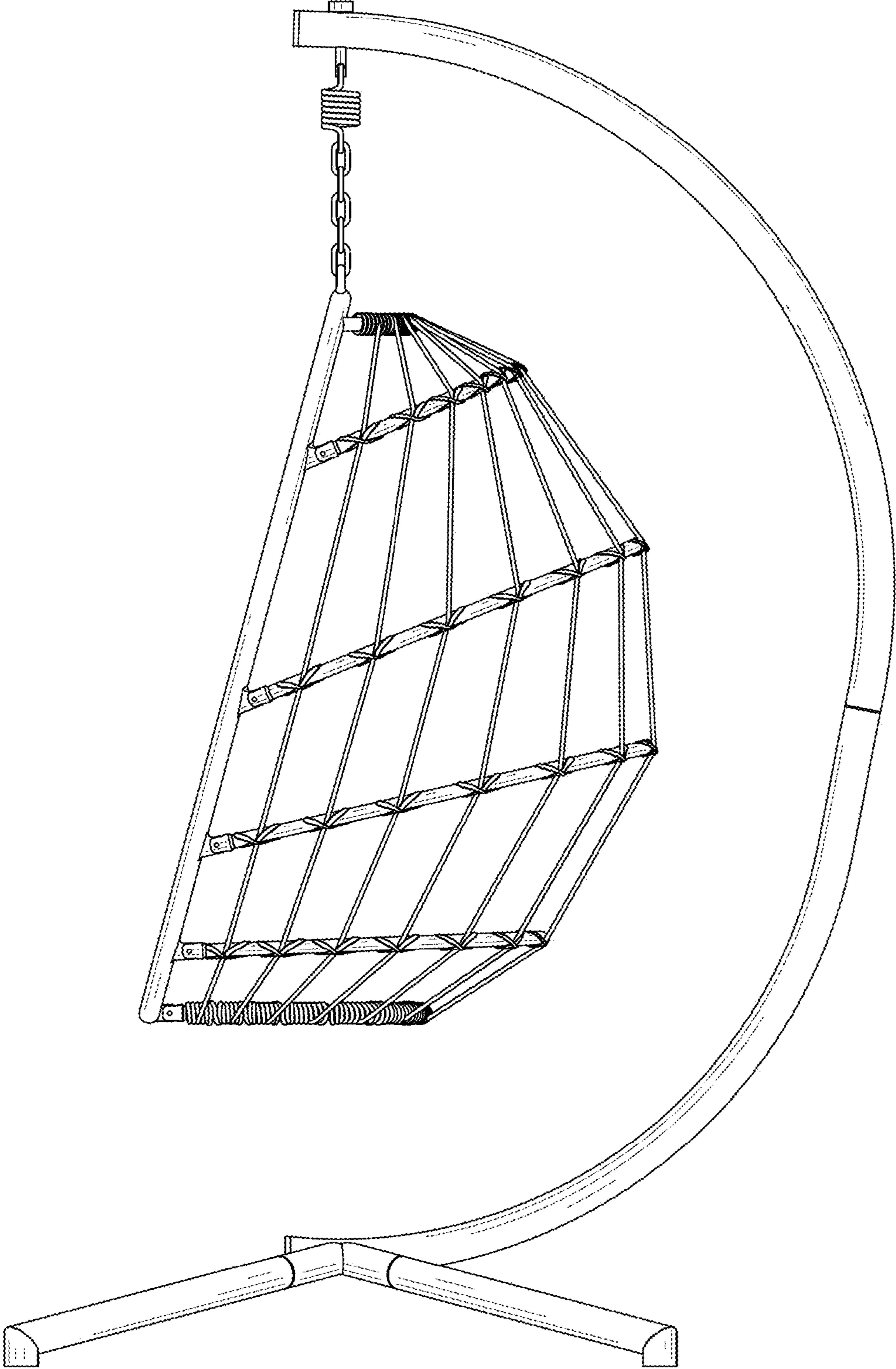


FIG. 5

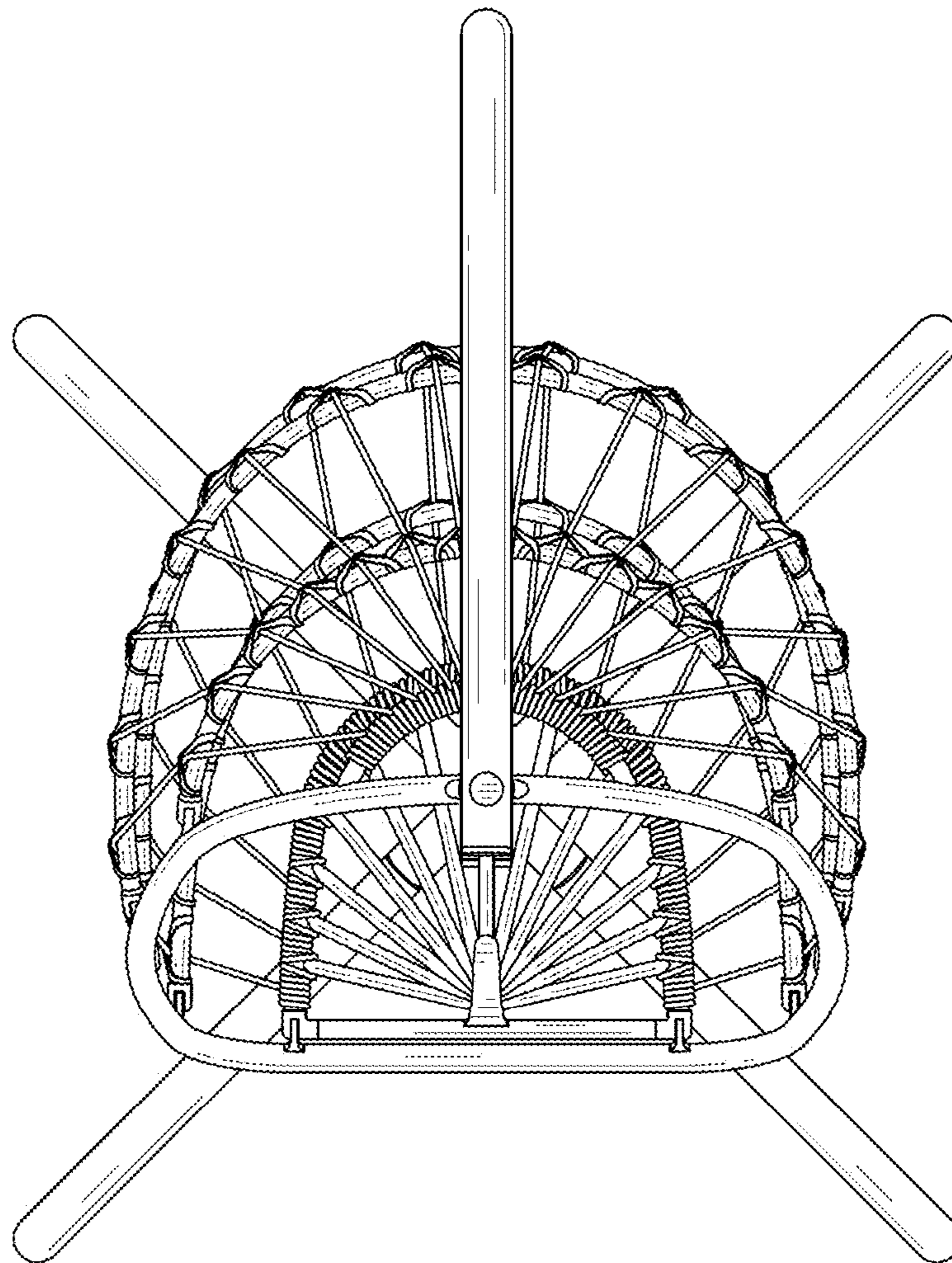


FIG. 6

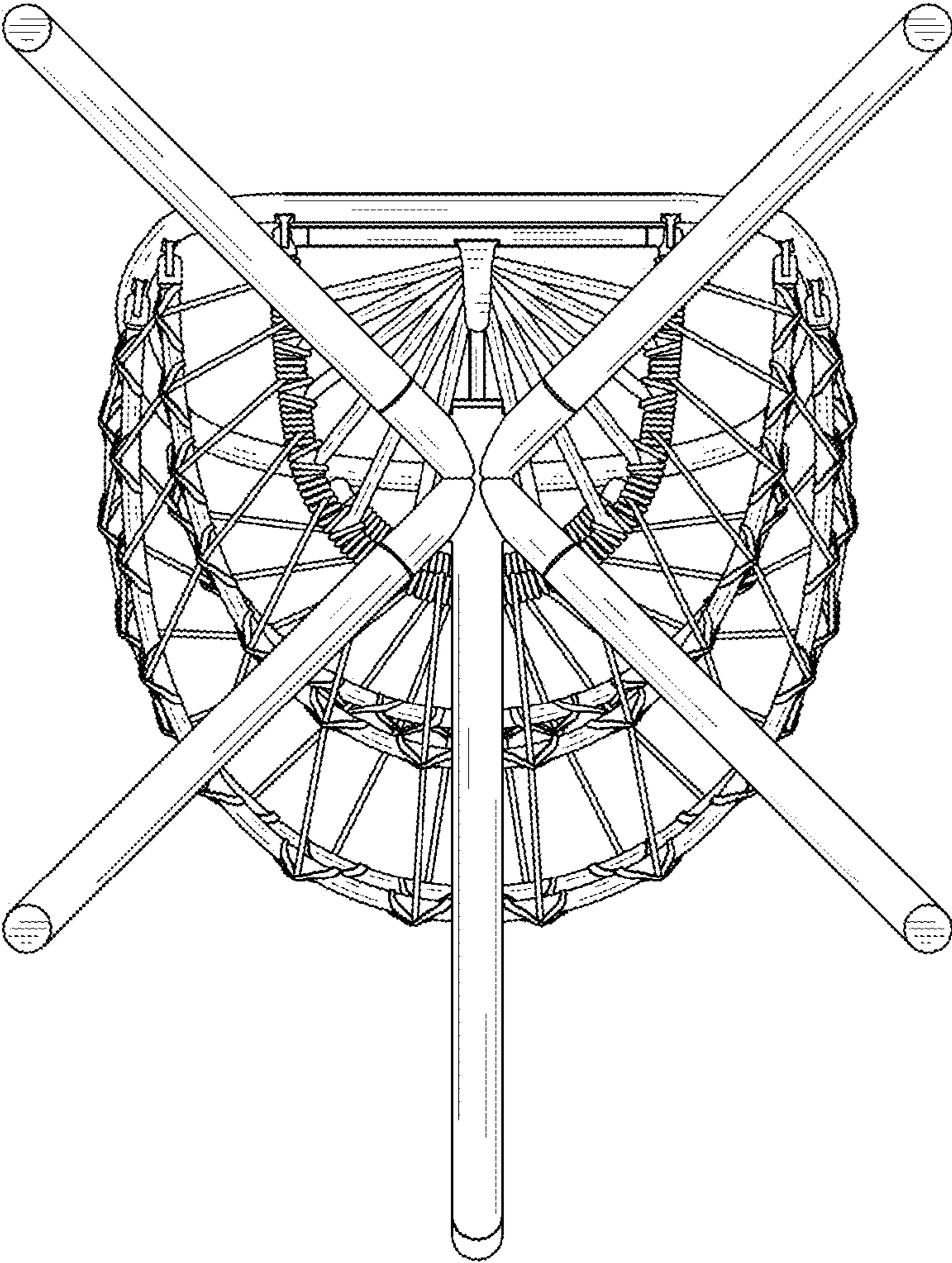


FIG. 7