



US00D979956S

(12) **United States Design Patent**  
**Chen**

(10) **Patent No.:** **US D979,956 S**  
(45) **Date of Patent:** **\*\* Mar. 7, 2023**

(54) **SOFA BED**

(71) Applicant: **John Chen**, Hacienda Heights, CA  
(US)

(72) Inventor: **John Chen**, Hacienda Heights, CA  
(US)

(\*\*) Term: **15 Years**

(21) Appl. No.: **29/811,123**

(22) Filed: **Oct. 12, 2021**

(51) **LOC (14) Cl.** ..... **06-01**

(52) **U.S. Cl.**  
USPC ..... **D6/335**

(58) **Field of Classification Search**  
USPC ..... D6/334, 335, 367, 368, 370, 381, 382,  
D6/383, 392  
CPC ..... A47C 17/16; A47C 17/161; A47C 17/162;  
A47C 17/163; A47C 17/17; A47C  
17/175; A47C 17/1753; A47D 11/005;  
A47D 11/00

See application file for complete search history.

(56) **References Cited**

**U.S. PATENT DOCUMENTS**

D259,678 S *	6/1981	Long	.....	D6/334
D468,543 S *	1/2003	O'Hare	.....	D6/369
D511,899 S *	11/2005	White, III	.....	D6/334
D572,916 S *	7/2008	Galardo	.....	D6/381
D580,664 S *	11/2008	Cramer	.....	D6/334
D630,028 S *	1/2011	Delbridge	.....	D6/381
D630,029 S *	1/2011	Delbridge	.....	D6/381
D635,793 S	4/2011	Kanthasamy		
D635,794 S	4/2011	Kanthasamy		
D639,078 S *	6/2011	Brooks	.....	D6/334
D639,571 S *	6/2011	Drilling	.....	D6/334

(Continued)

**FOREIGN PATENT DOCUMENTS**

CN 207461800 U \* 6/2018  
CN 209518601 U \* 10/2019

(Continued)

**OTHER PUBLICATIONS**

IPKIG, "IPKIG Convertible Chair Sleeper Bed, 4 in 1 Multi-Function Sleeper Sofa Folding Ottoman Modern Linen Fabric Guest Bed with Lumbar Pillow and Adjustable Sleeper for Small Space Apartment (Grey)" product listing on Amazon.com. Listed as first available on Jul. 31, 2020. Retrieved on Nov. 14, 2022 from <https://a.co/d/2cA2LDD> (Year: 2020).\*

(Continued)

*Primary Examiner* — Deanna L Pratt

(74) *Attorney, Agent, or Firm* — Rumit Ranjit Kanakia

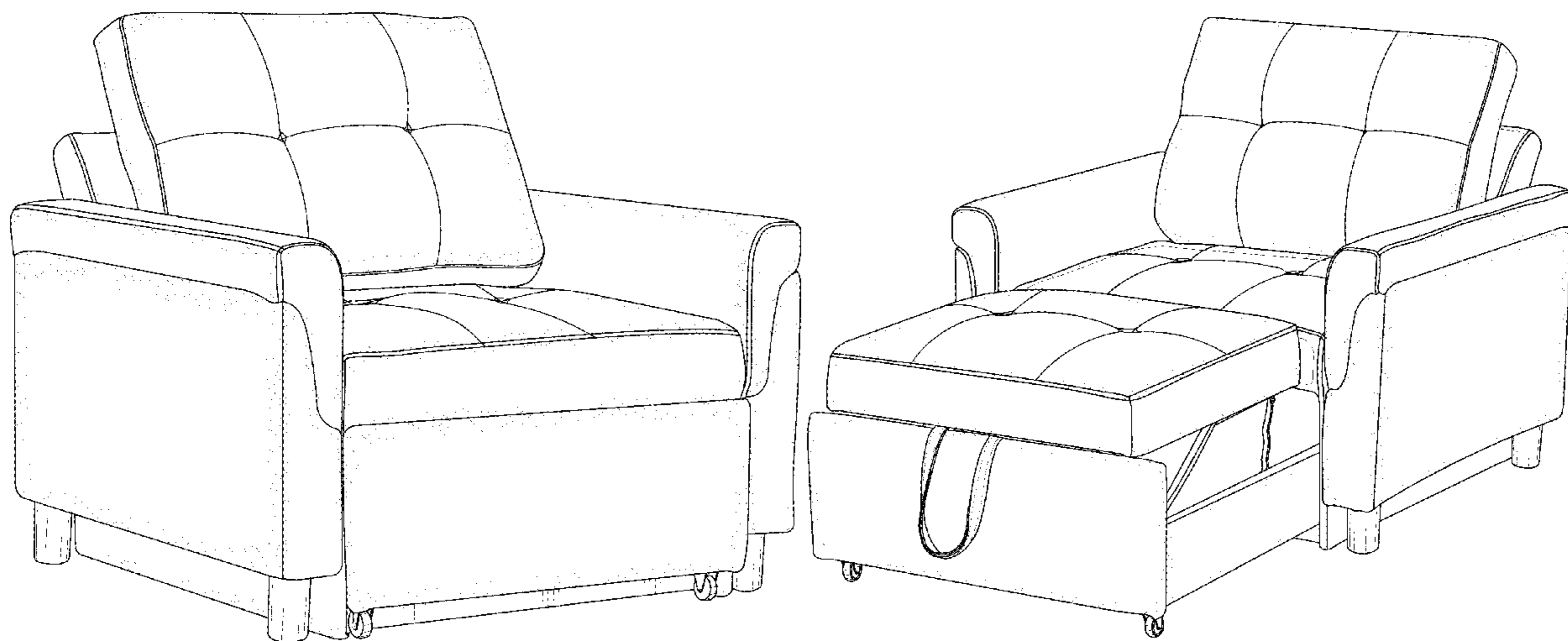
(57) **CLAIM**

I claim the ornamental design for a sofa bed, as shown and described.

**DESCRIPTION**

FIG. 1 is a Perspective view of a sofa bed showing my new design;  
FIG. 2 is a Front view thereof;  
FIG. 3 is a Back view thereof;  
FIG. 4 is a Right-side view thereof;  
FIG. 5 is a left-side view thereof;  
FIG. 6 is a Top view thereof;  
FIG. 7 is a Bottom view thereof;  
FIG. 8 is other Perspective view of a sofa bed showing in my new design;  
FIG. 9 is a Left-side view of the sofa bed as shown in FIG. 8;  
FIG. 10 is a Top view of the sofa bed as shown in FIG. 8; and,  
FIG. 11 is a Front view of the sofa bed as shown in FIG. 8. The broken lines in the drawings depict portions of the sofa bed that form no part of the claimed design.

**1 Claim, 11 Drawing Sheets**



(56)

**References Cited**

U.S. PATENT DOCUMENTS

D641,178 S \* 7/2011 Drilling ..... D6/334  
D641,179 S \* 7/2011 Drilling ..... D6/334  
D719,754 S 12/2014 Pathiratne  
D719,755 S 12/2014 Kanthasamy  
D720,150 S \* 12/2014 Tanzer ..... D6/381  
D720,943 S 1/2015 Pathiratne  
D720,945 S \* 1/2015 Sonmez ..... D6/381  
D741,071 S \* 10/2015 Fernandez ..... D6/335  
D741,072 S \* 10/2015 Fernandez ..... D6/335  
D841,992 S 3/2019 Kershner  
D905,453 S \* 12/2020 Kanthasamy ..... D6/335

FOREIGN PATENT DOCUMENTS

CN 216675265 U \* 6/2022  
CN 216875717 U \* 7/2022  
CN 217429609 U \* 9/2022

OTHER PUBLICATIONS

IPKIG, "IPKIG Convertible Chair Sleeper Bed, 4 in 1 Multi-Function Sleeper Sofa Folding Ottoman Modern Linen Fabric Guest Bed with Lumbar Pillow and Adjustable Sleeper for Small Space Apartment (Dark Grey)" product listing on Amazon.com. Listed as first available on Jul. 30, 2020. Retrieved on Nov. 14, 2022 from <https://a.co/d/f90laSz> (Year: 2020).\*

\* cited by examiner

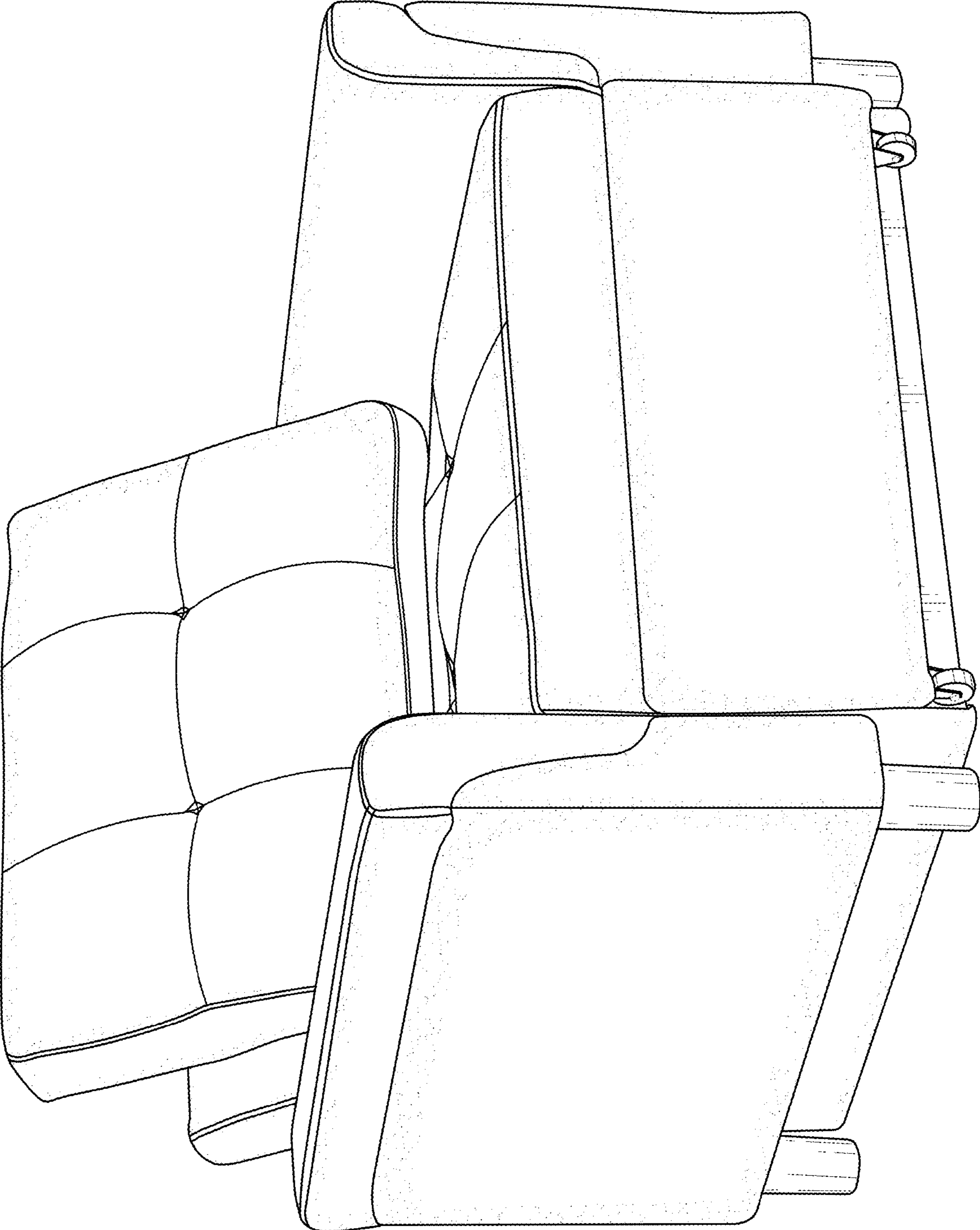


FIG. 1

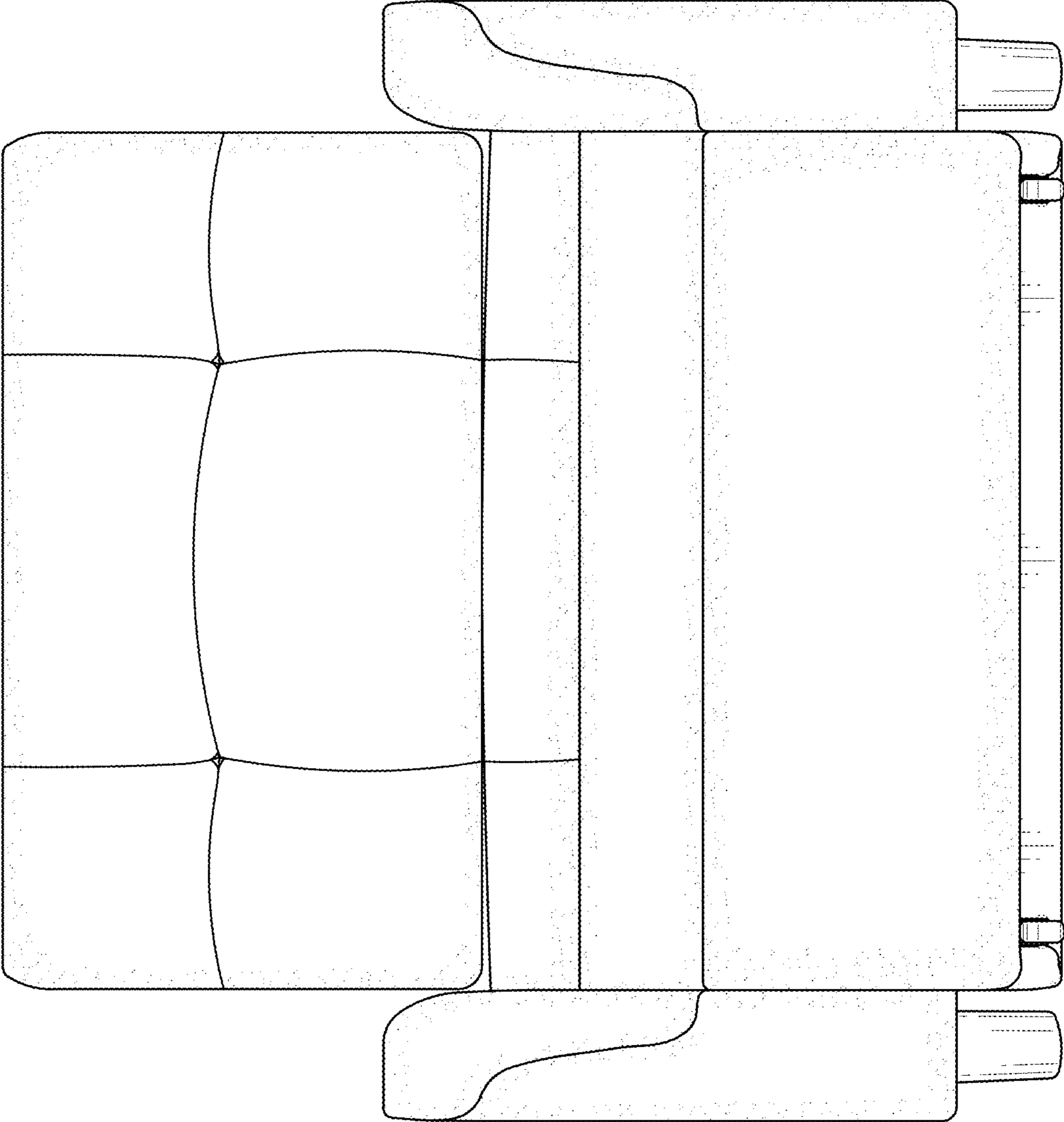


FIG. 2

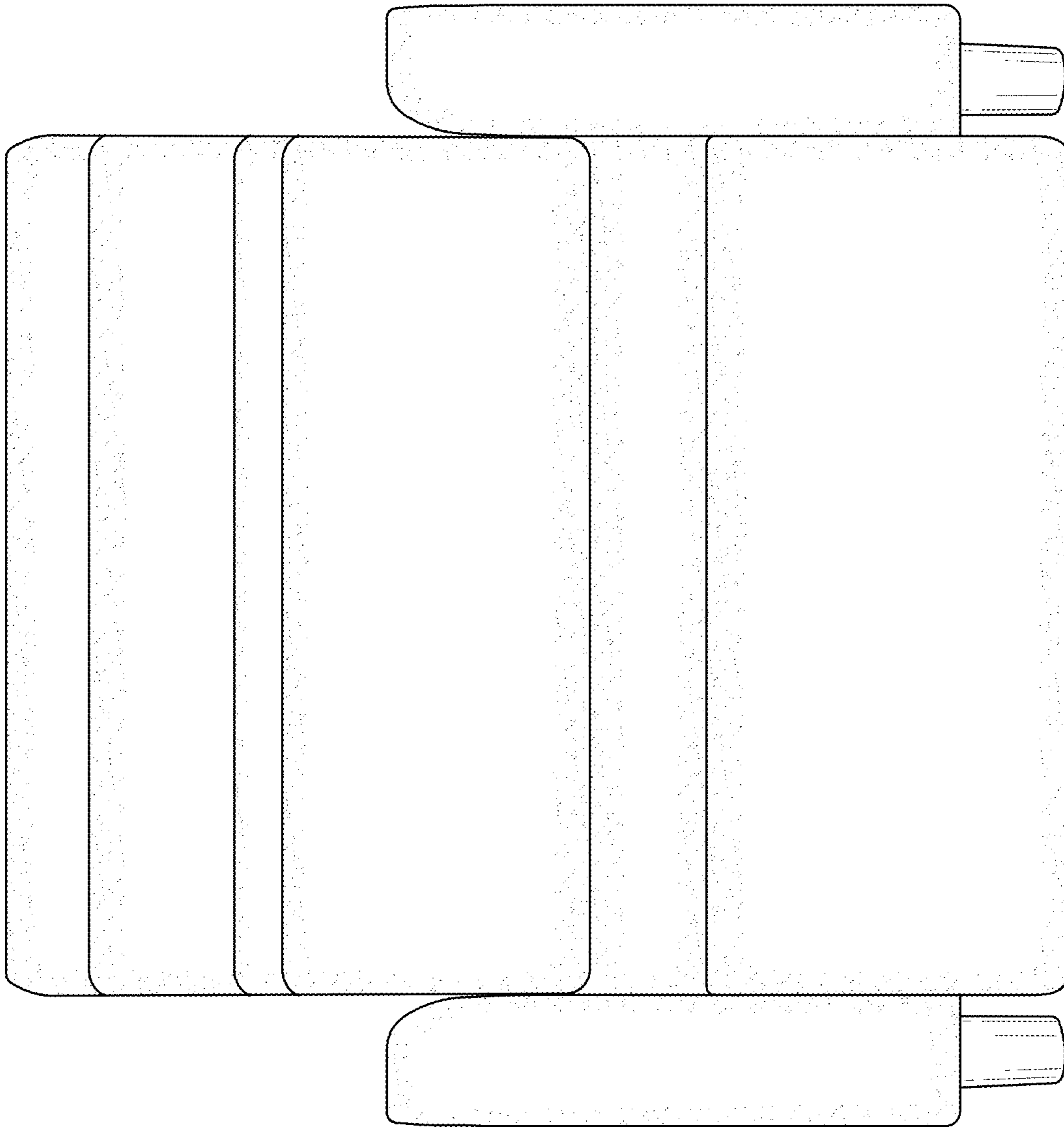


FIG. 3

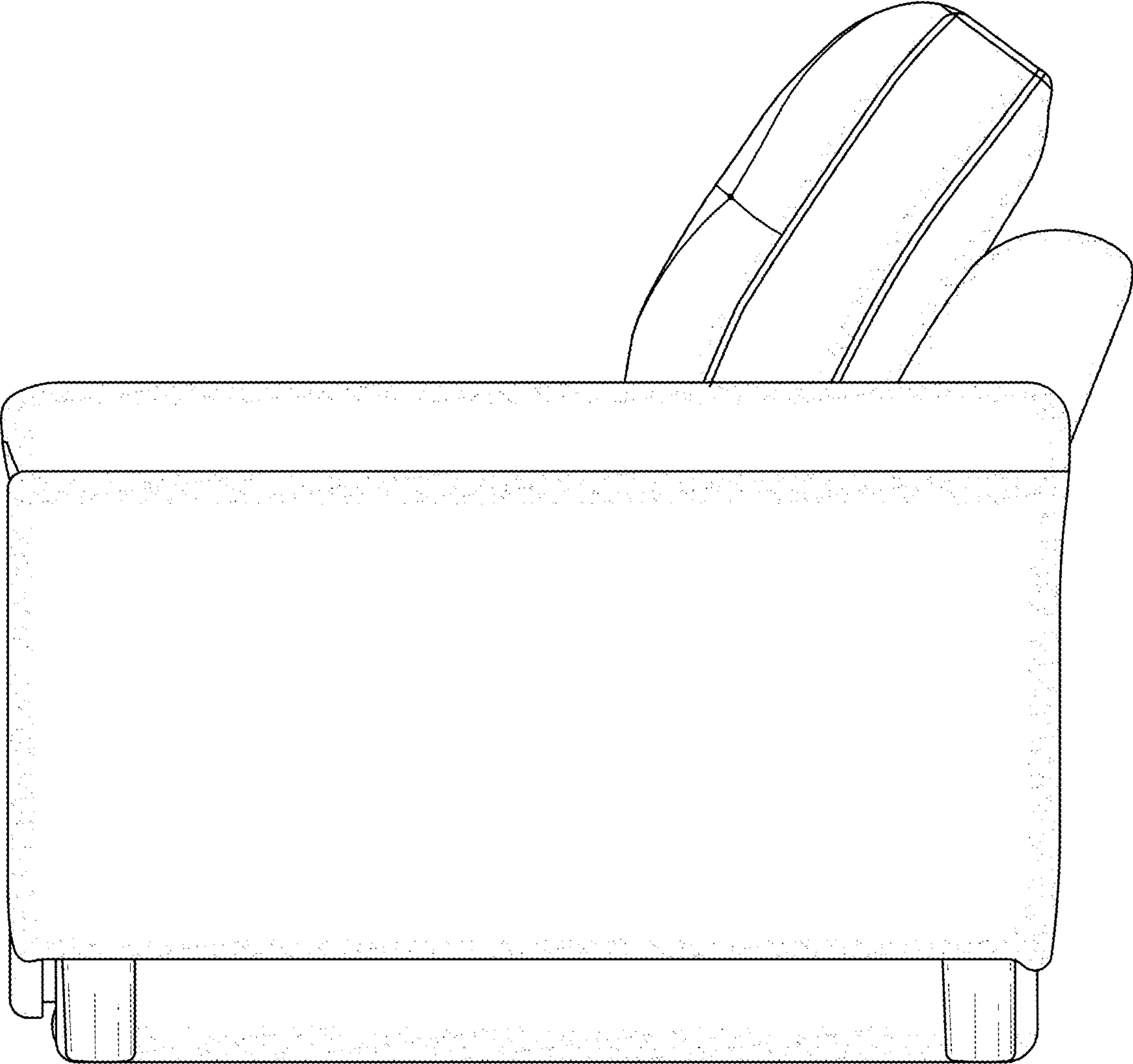


FIG. 4

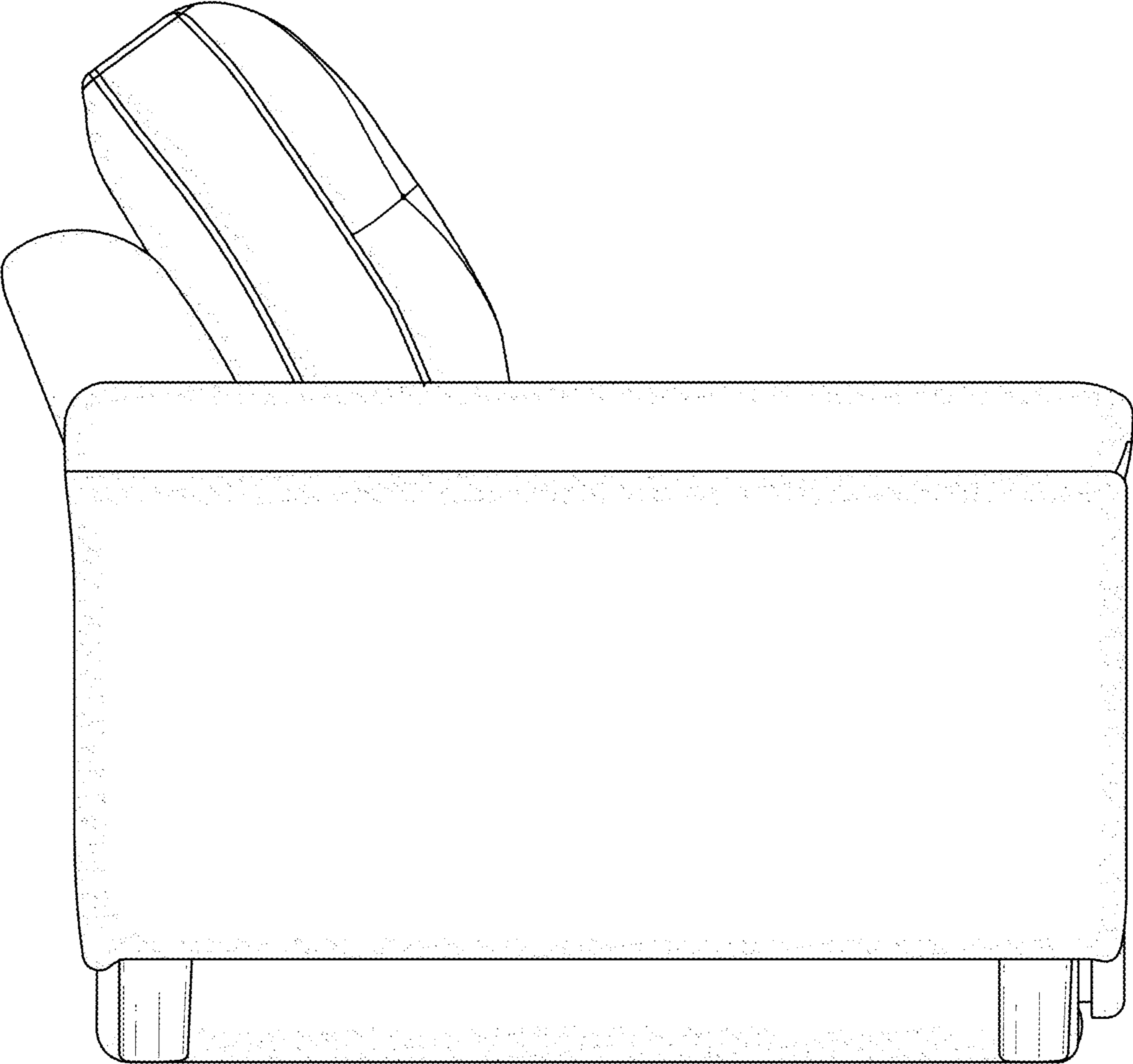


FIG. 5

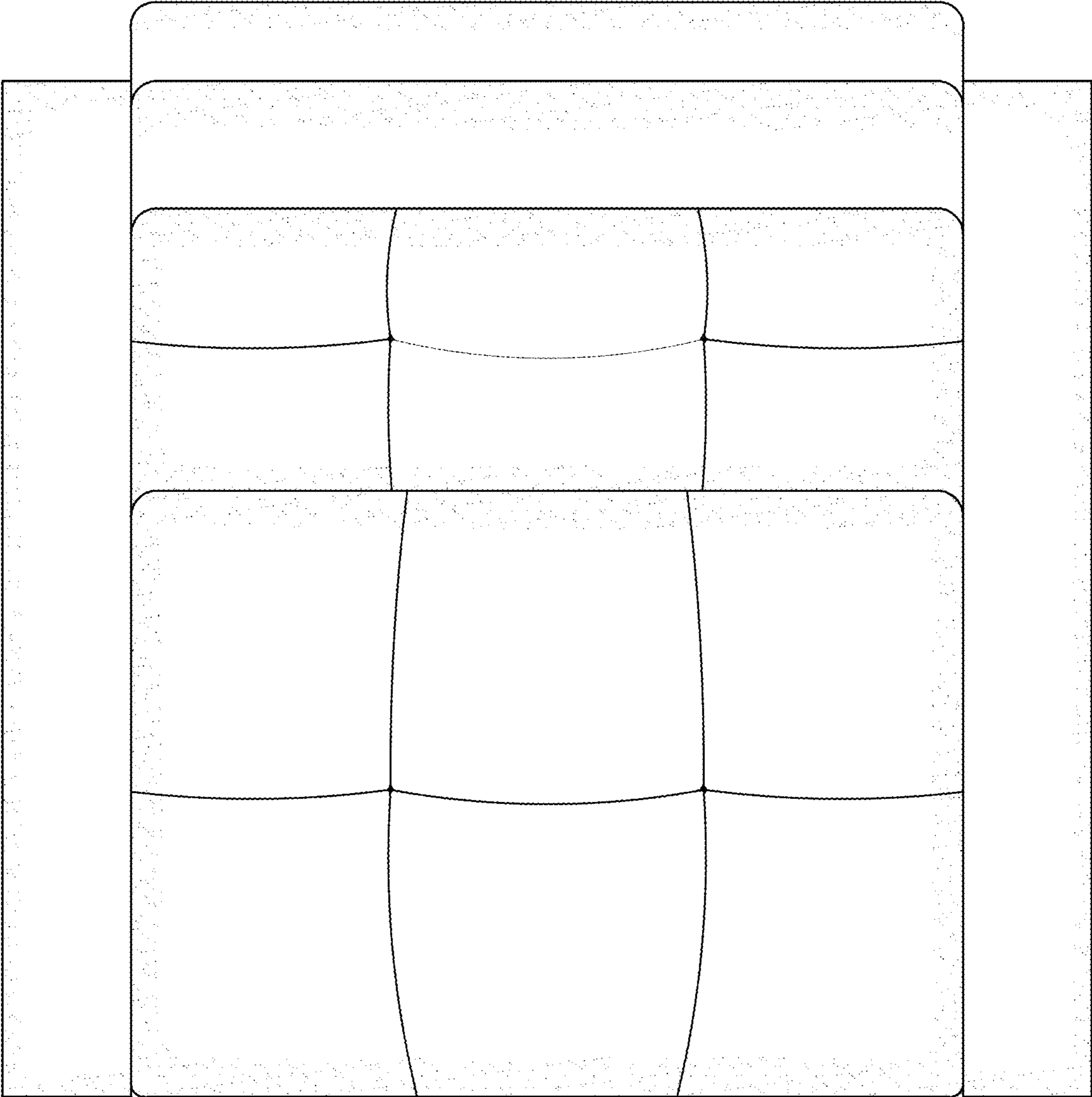


FIG. 6



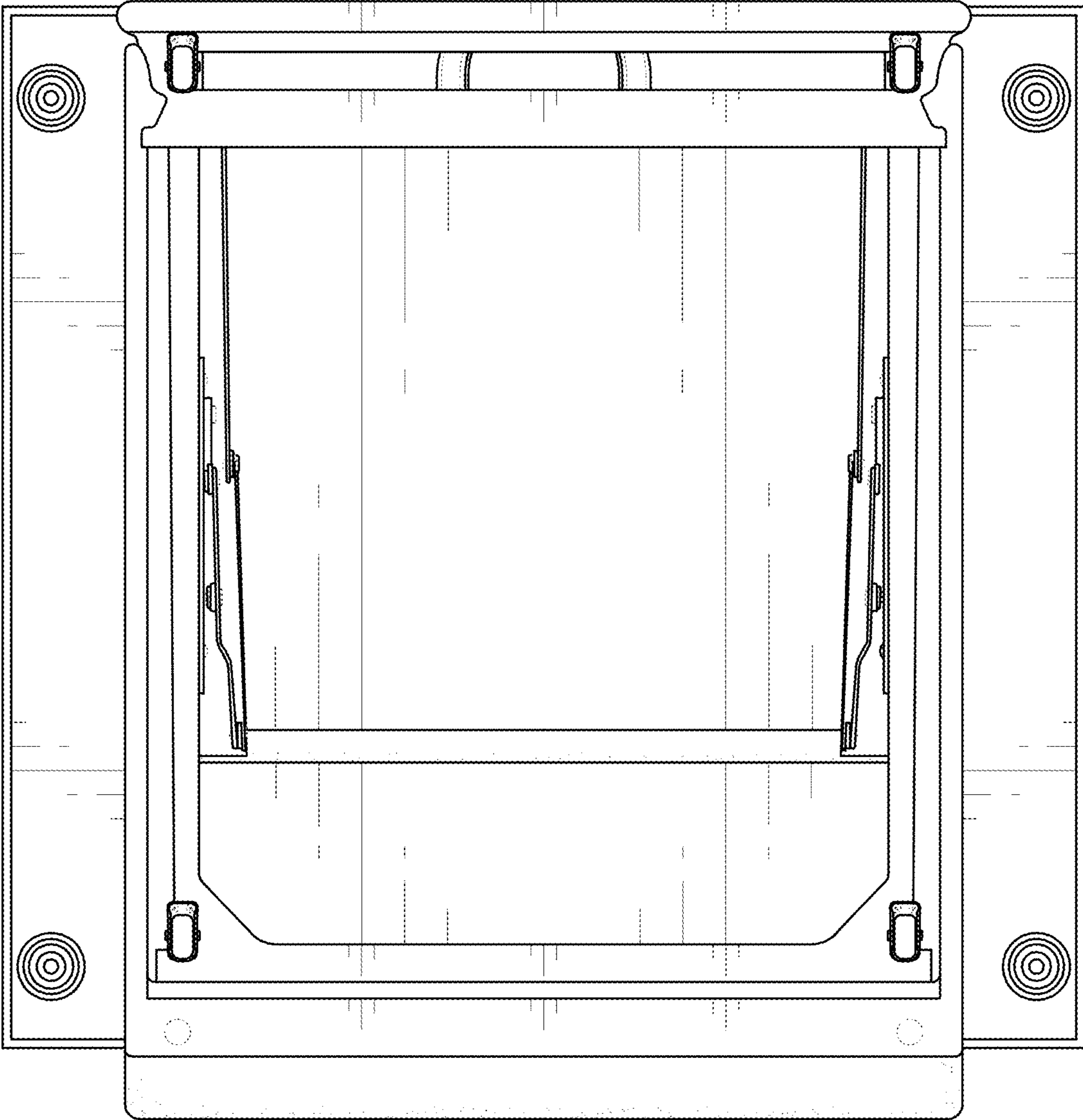


FIG. 7

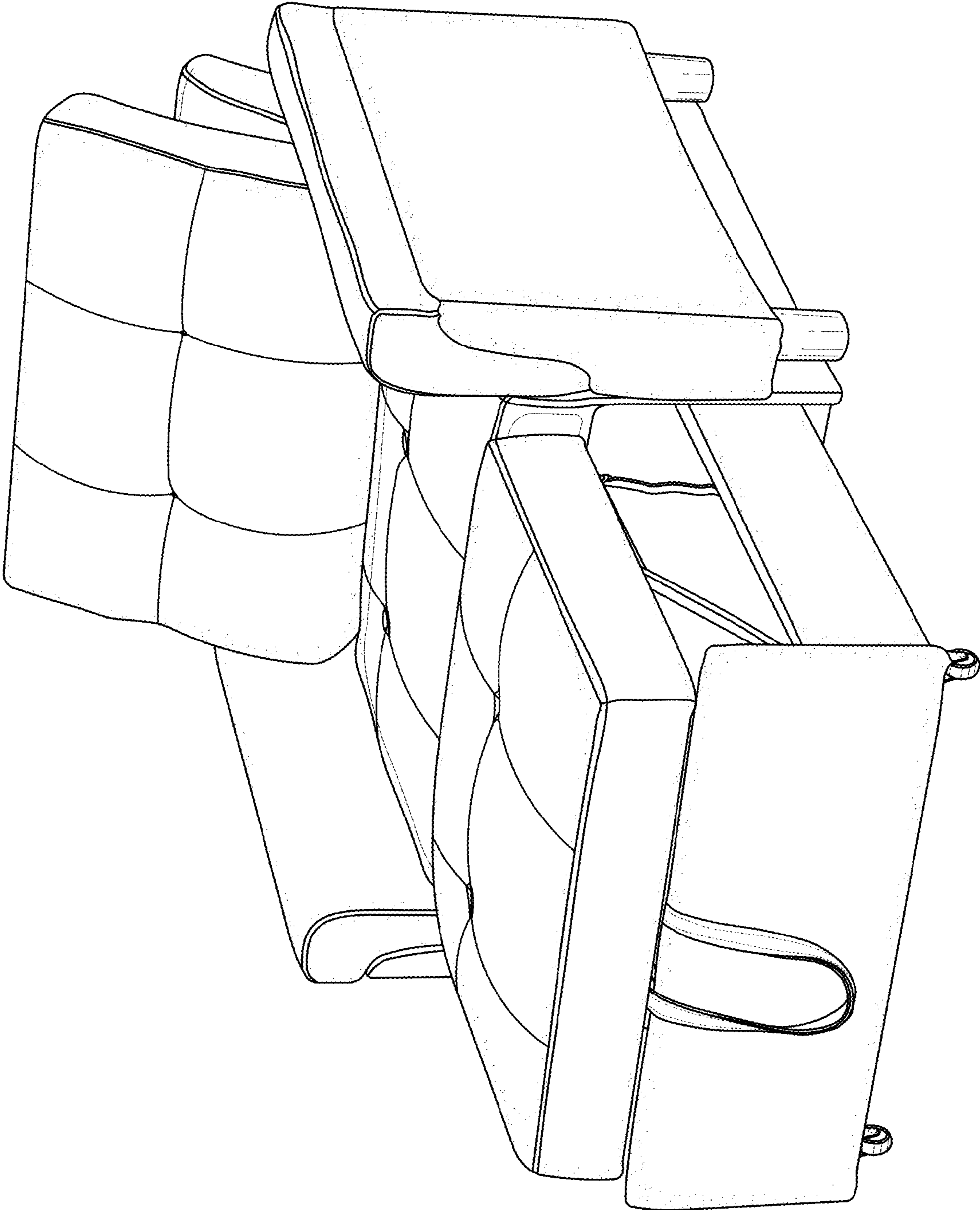


FIG. 8

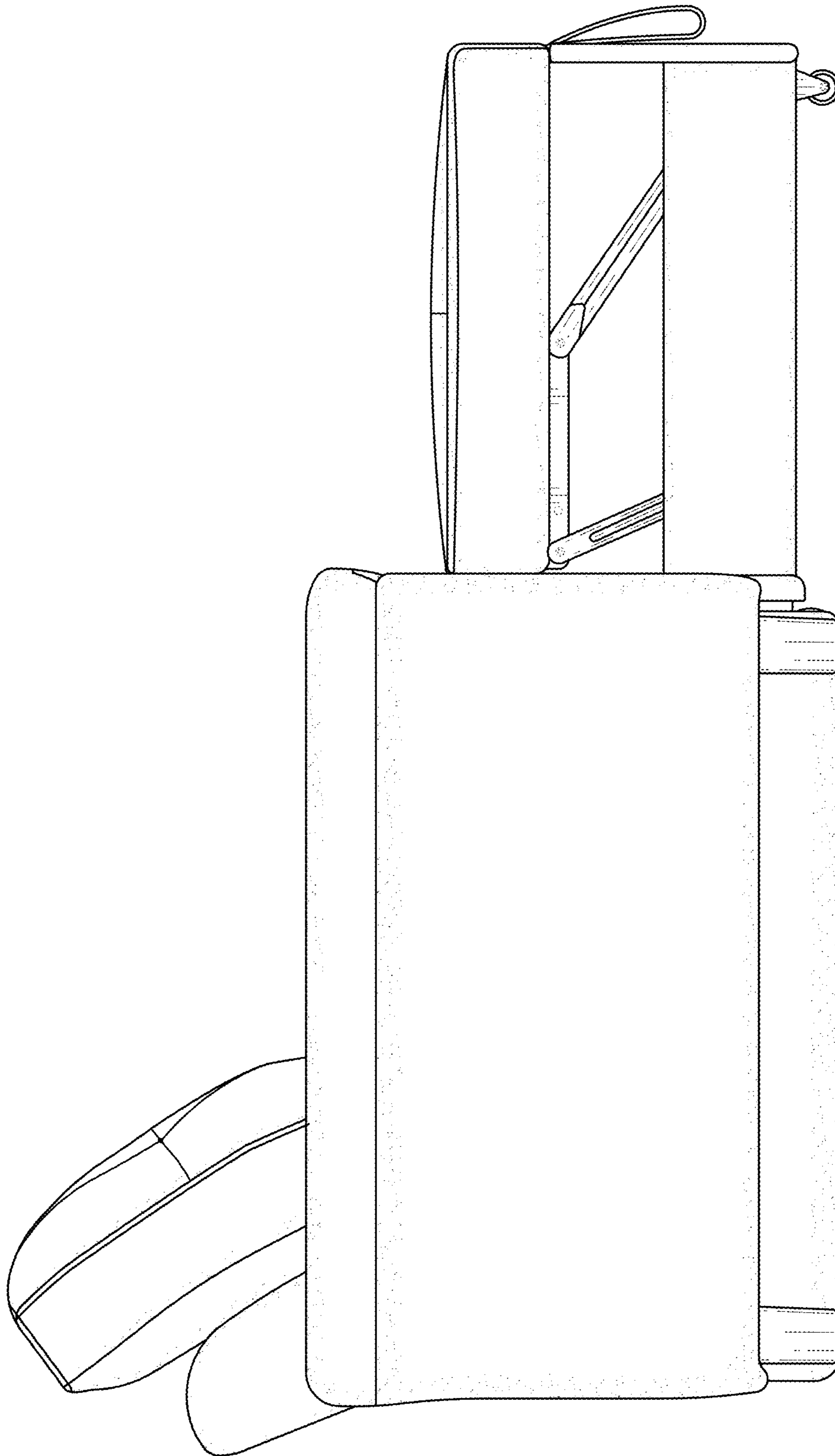


FIG. 9

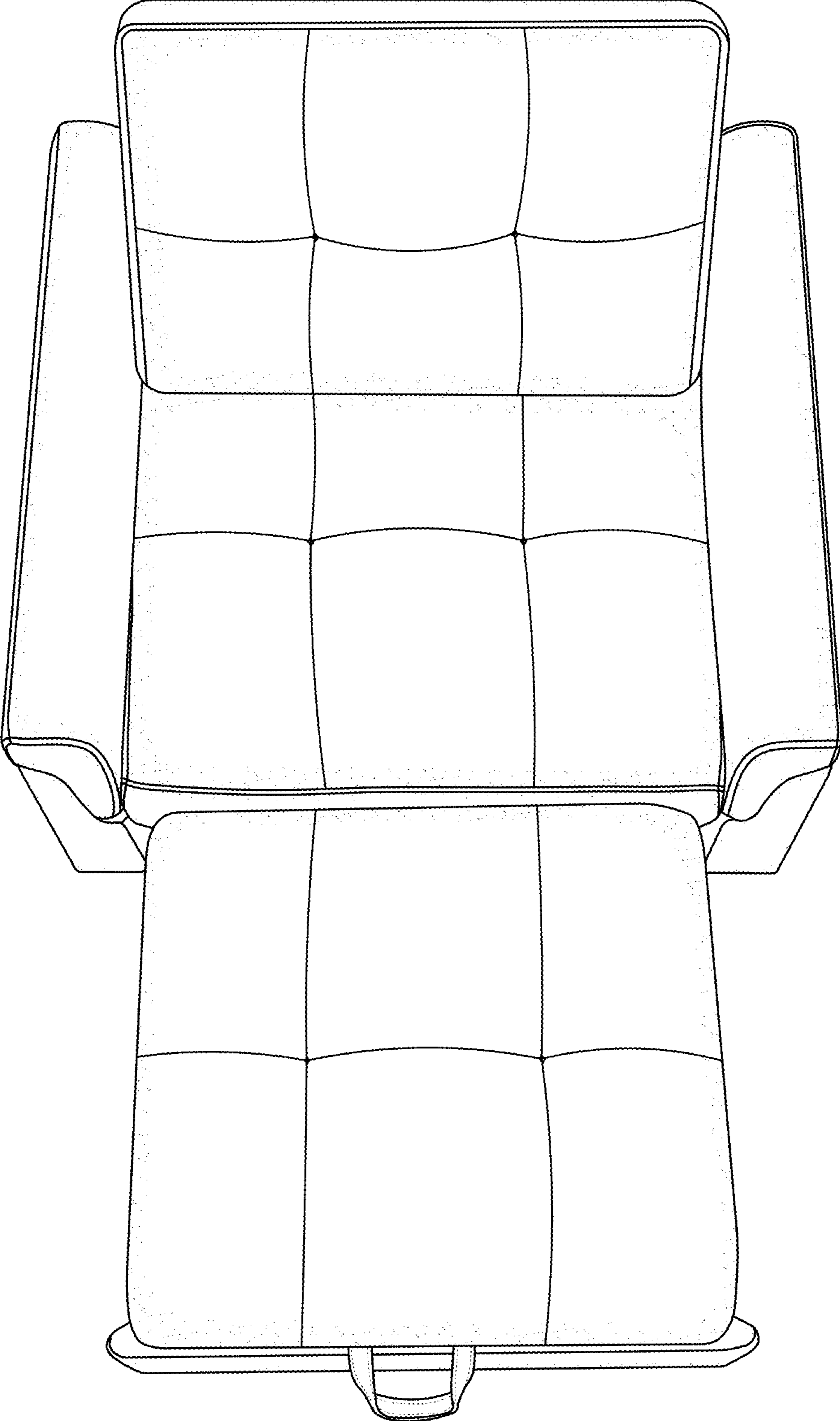


FIG. 10

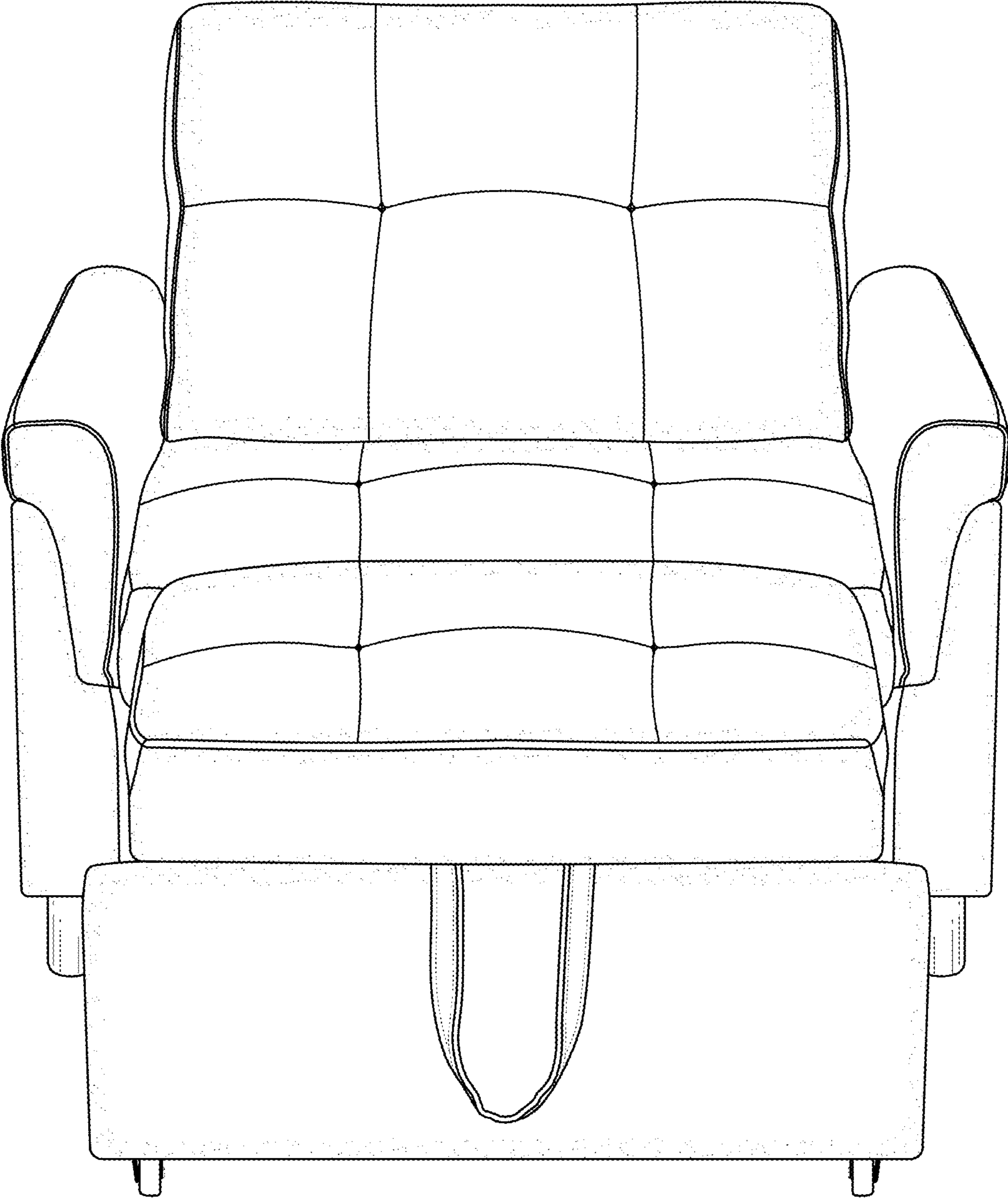


FIG. 11