



US00D979950S

(12) **United States Design Patent**
Maager

(10) **Patent No.:** **US D979,950 S**
(45) **Date of Patent:** **** Mar. 7, 2023**

(54) **COVER PLATE FOR FURNITURE FITTINGS**

3/32; H02G 3/34; H01R 13/6392; H01R 13/424; H01R 13/426; H01R 13/4362

(71) Applicant: **Julius Blum GmbH**, Hoechst (AT)

See application file for complete search history.

(72) Inventor: **Frank Maager**, Sulzburg (DE)

(56) **References Cited**

(73) Assignee: **JULIUS BLUM GMBH**, Hoechst (AT)

U.S. PATENT DOCUMENTS

(**) Term: **15 Years**

D330,432 S *	10/1992	Weinerman	D25/119
D468,452 S *	1/2003	Jones	D25/119
D497,506 S *	10/2004	Nien	D6/580
D524,452 S *	7/2006	Repp	D25/55
D899,134 S *	10/2020	Meloche	D6/579
D950,272 S *	5/2022	Kim	D6/580

(21) Appl. No.: **35/513,091**

(22) Filed: **Jun. 9, 2021**

* cited by examiner

(80) **Hague Agreement Data**

Int. Filing Date: **Jun. 9, 2021**

Primary Examiner — Abraham Bahta

Int. Reg. No.: **DM/216254**

(74) *Attorney, Agent, or Firm* — Wenderoth, Lind & Ponack, L.L.P.

Int. Reg. Date: **Jun. 9, 2021**

Int. Reg. Pub. Date: **Dec. 10, 2021**

(30) **Foreign Application Priority Data**

Dec. 11, 2020 (EM) 008318893

(51) **LOC (14) Cl.** **06-03**

(52) **U.S. Cl.**
USPC **D6/329**

(58) **Field of Classification Search**
USPC D6/329, 332, 702-704, 575-580;
D8/356; D25/55, 119, 136, 120;
D13/155-156, 120, 121, 133

CPC A47H 1/04; A47H 15/00; A47H 23/01;
E06B 2009/2622; E06B 2009/402; E06B 2009/407;
E06B 9/26; E06B 9/28; E06B 9/323; E06B 9/36;
E06B 9/40; E06B 9/42; E06B 9/58; H02G 3/30; H02G

(57) **CLAIM**

The ornamental design for a cover plate for furniture fittings, as shown and described.

DESCRIPTION

1. Cover place for furniture fittings

1.1 : Perspective

1.2 : Front

1.3 : Right

1.4 : Left

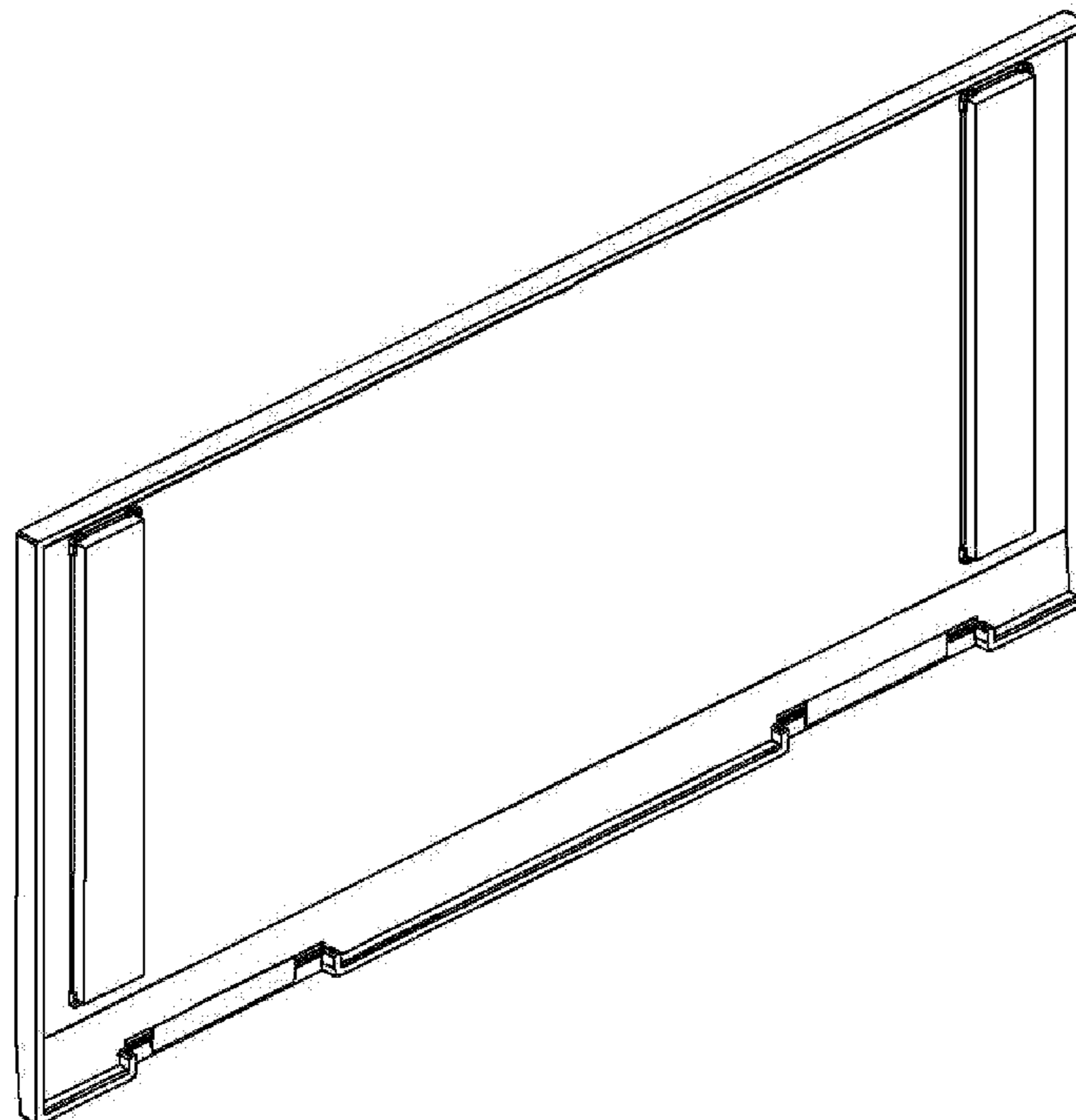
1.5 : Top

1.6 : Bottom

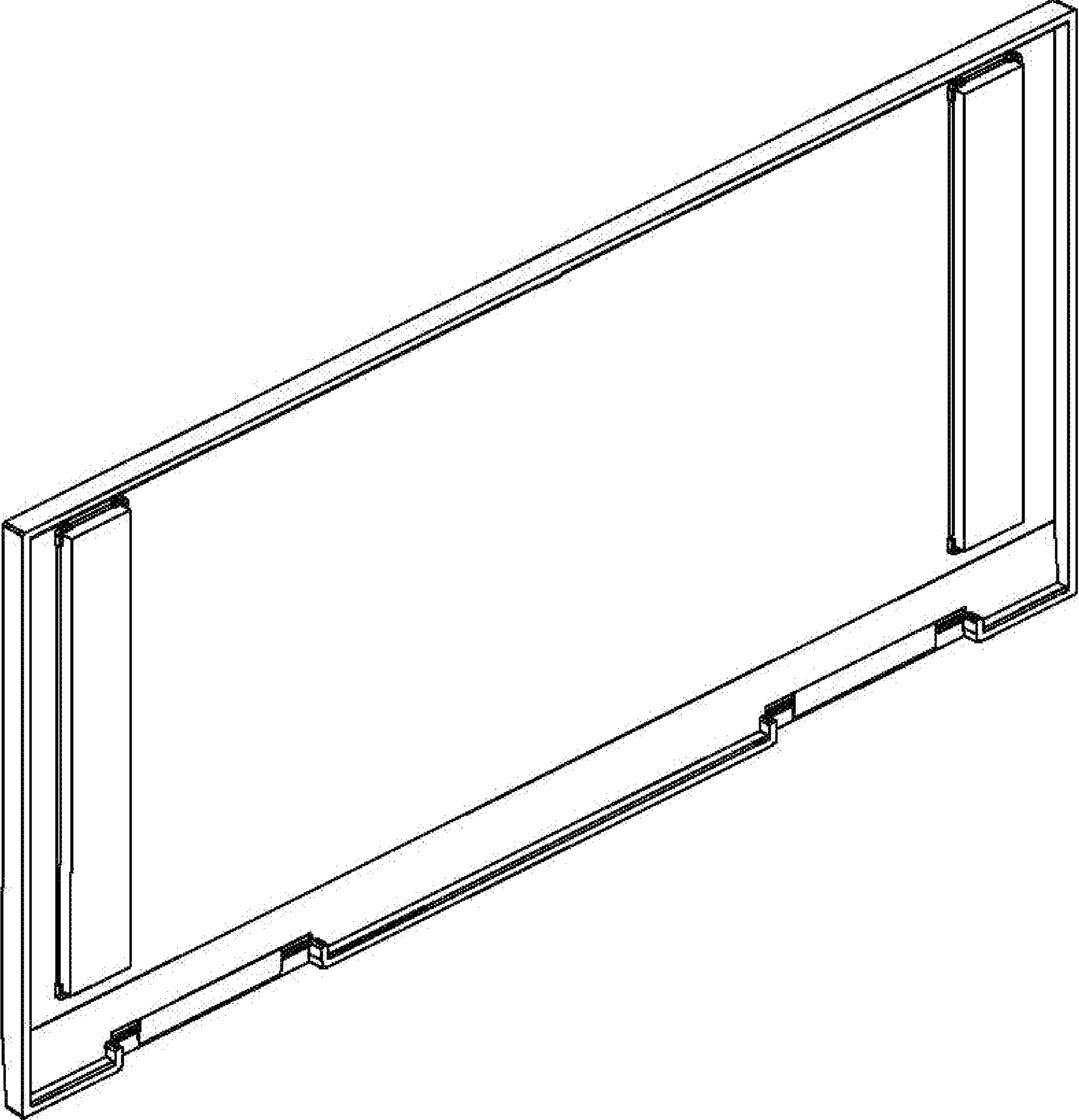
1.7 : Back

The design shows a cover plate for an actuating-arm drive of furniture flaps.

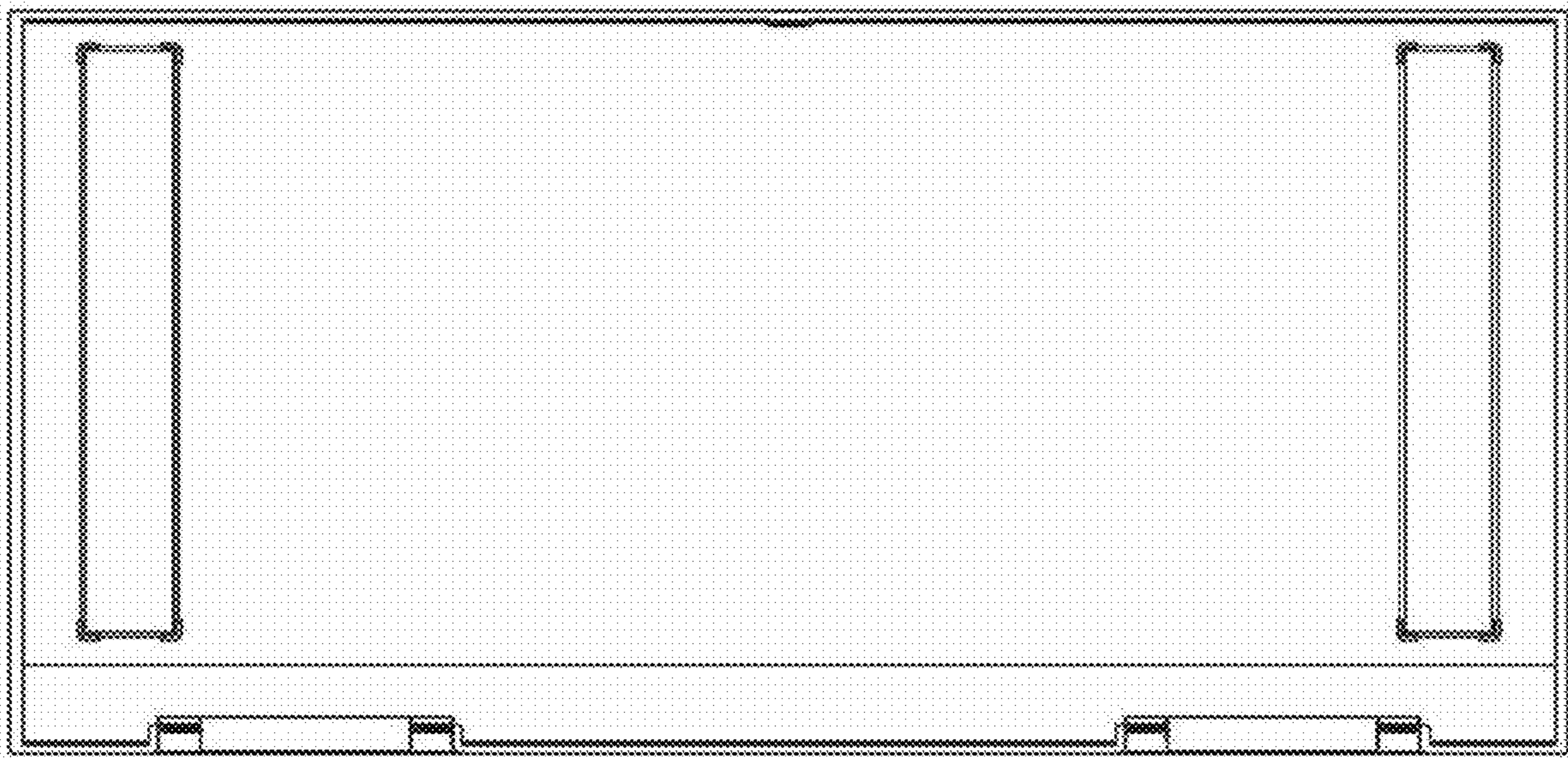
1 Claim, 7 Drawing Sheets



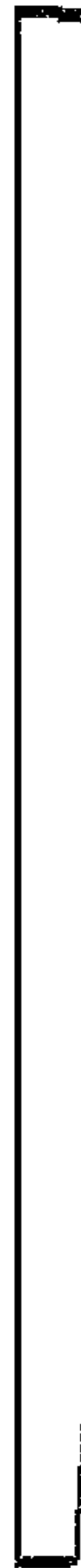
1.1



1.2



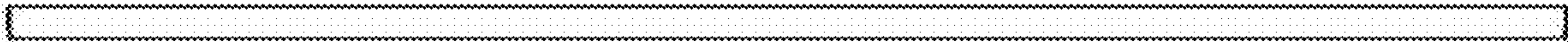
1.3



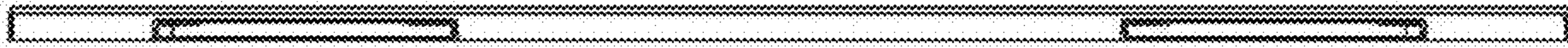
1.4



1.5



1.6



1.7

