



US00D979947S

(12) **United States Design Patent**
Saccoccio et al.

(10) **Patent No.:** **US D979,947 S**
(45) **Date of Patent:** **** Mar. 7, 2023**

- (54) **POOL BRUSH HANDLE**
- (71) Applicant: **Asia Connection LLC**, New York, NY (US)
- (72) Inventors: **Mitch Saccoccio**, Clarksville, VA (US);
Jonathan Bonelli, New York, NY (US)
- (73) Assignee: **Asia Connection LLC**, New York, NY (US)

D351,948 S	11/1994	Getchell	
5,487,397 A	1/1996	Bean	
D445,572 S *	7/2001	Rowell	D4/133
D563,107 S *	3/2008	Folden	D4/116
8,943,640 B2 *	2/2015	Saccoccio	E04H 4/1609 15/160
D747,884 S *	1/2016	Chalifoux	D4/132
D757,446 S *	5/2016	Ewert	D4/133
D804,122 S *	11/2017	Larouche	D32/50

(Continued)

- (**) Term: **15 Years**
- (21) Appl. No.: **29/749,172**
- (22) Filed: **Sep. 3, 2020**
- (51) **LOC (14) Cl.** **04-01**
- (52) **U.S. Cl.**
USPC **D4/138; D32/50**
- (58) **Field of Classification Search**
USPC D4/100, 116, 118, 119, 120, 121, 127,
D4/128, 130, 132, 133, 134, 135, 136,
D4/137, 138, 129; D32/40, 42, 46, 50
CPC A46B 2200/3033; A46B 2200/3073; A46B
2200/30; A47L 17/00; A47L 17/04; A47L
17/06
See application file for complete search history.

OTHER PUBLICATIONS

BlueTorrent Pool Products 360 Brush Around brush head [on-line].
[Publication date Aug. 30, 2019.] [Retrieved Dec. 3, 2022.] URL:
<<https://web.archive.org/web/20190830143131/http://bluetorrentpoolproducts.com/product-category/maintenance/>> (Year: 2019).*

(Continued)

Primary Examiner — Karen E Eldridge Powers
(74) *Attorney, Agent, or Firm* — Dilworth & Barrese, LLP

(57) **CLAIM**

The ornamental design for a pool brush handle, as shown and described.

DESCRIPTION

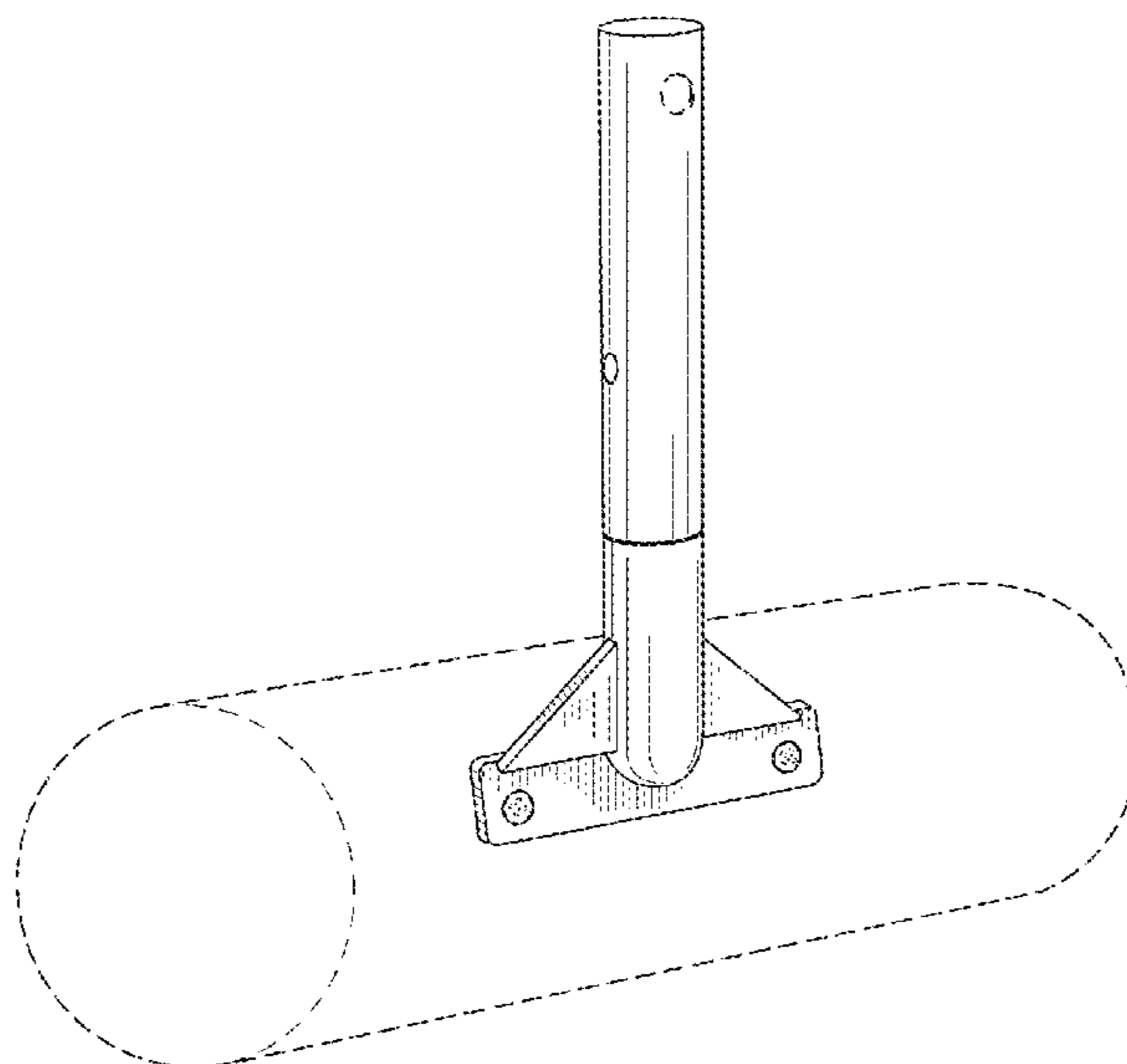
FIG. 1 is a top perspective view of a pool brush handle showing our new design;
FIG. 2 is a top view thereof;
FIG. 3 is a side view thereof;
FIG. 4 is an end view thereof; and
FIG. 5 is a top perspective view of the pool brush handle of FIG. 1, with two sections thereof slightly separated;
FIG. 6 is a top view thereof;
FIG. 7 is a side view thereof; and,
FIG. 8 is an end view thereof.
Broken and/or phantom lines are for environmental structure only and form no part of the claimed design.

1 Claim, 8 Drawing Sheets

(56) **References Cited**

U.S. PATENT DOCUMENTS

D140,238 S *	2/1945	Bellstaedt	15/171
D182,659 S *	4/1958	Hall	D32/50
3,296,643 A	1/1967	Fortune	
D222,900 S *	2/1972	Derian	D4/136
3,795,027 A *	3/1974	Lindberg, Jr.	A47L 9/0673 15/398
D257,521 S *	11/1980	Piero	D4/118
4,637,087 A	1/1987	Feinberg	
4,703,535 A	11/1987	Nehis	
4,733,427 A	3/1988	Conrad	
4,783,868 A	11/1988	O'Callaghan	
D332,009 S *	12/1992	Kiefer	D4/122



(56)

References Cited

U.S. PATENT DOCUMENTS

D805,784 S * 12/2017 Wang D4/120
D826,500 S * 8/2018 Larouche D32/50
D833,099 S * 11/2018 Lapalme D32/50
D970,139 S * 11/2022 Tyroler D32/50
2022/0064978 A1 * 3/2022 Saccoccio A46D 1/0207

OTHER PUBLICATIONS

Screen captures of video of BlueTorrent Pool Products 360 Brush Around brush head [on-line]. [Publication date Aug. 30, 2019.] [Retrieved Dec. 3, 2022.] URL: <https://vimeo.com/378865349?embedded=true&source=vimeo_logo&owner=88161571> (Year: 2019).*

Video of BlueTorrent Pool Products 360 Brush Around brush head [on-line]. [Publication date Aug. 30, 2019.] [Retrieved Dec. 3, 2022.] URL: <https://vimeo.com/378865349?embedded=true&source=vimeo_logo&owner=88161571> (Year: 2019).*

* cited by examiner

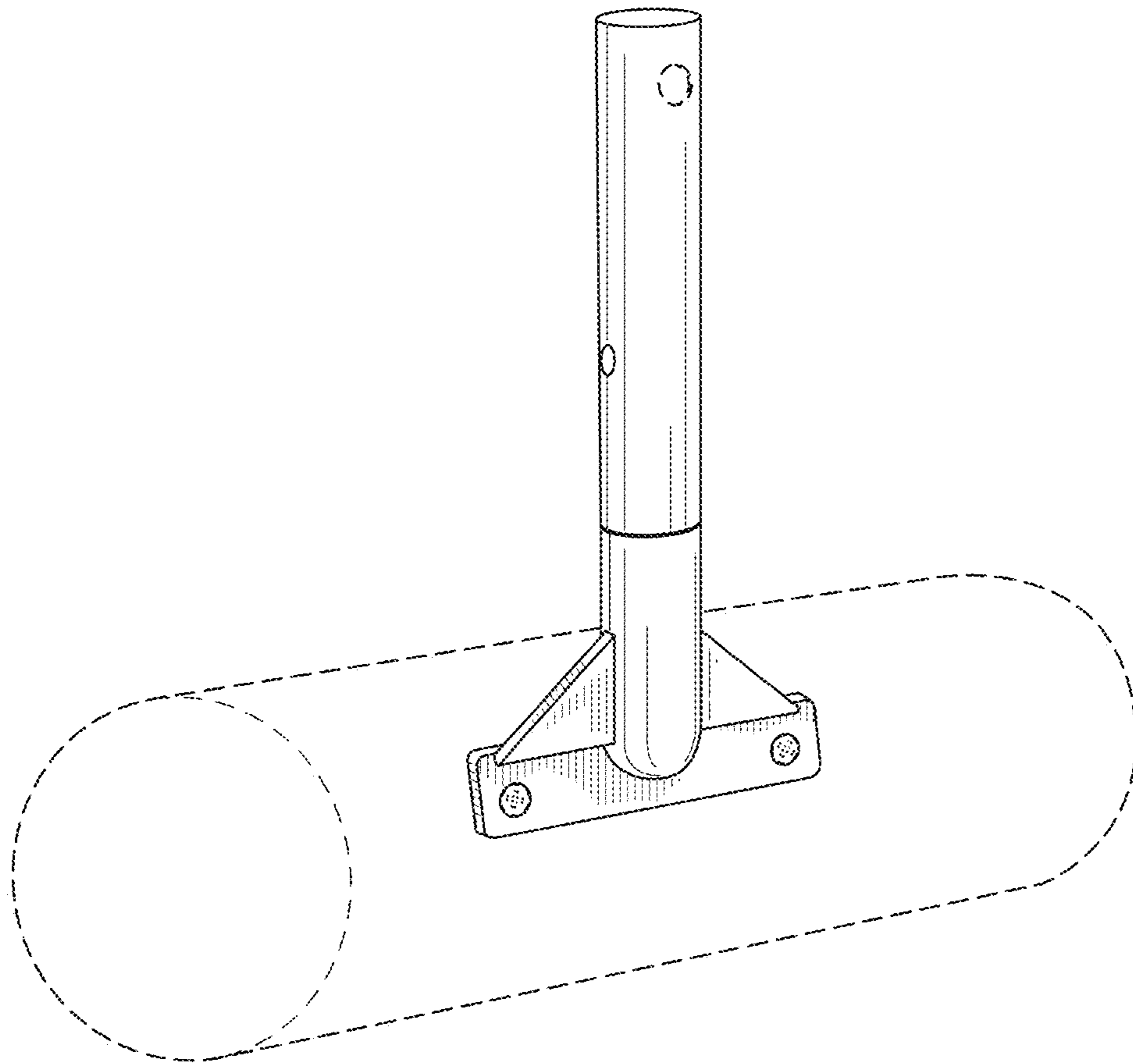


FIG. 1

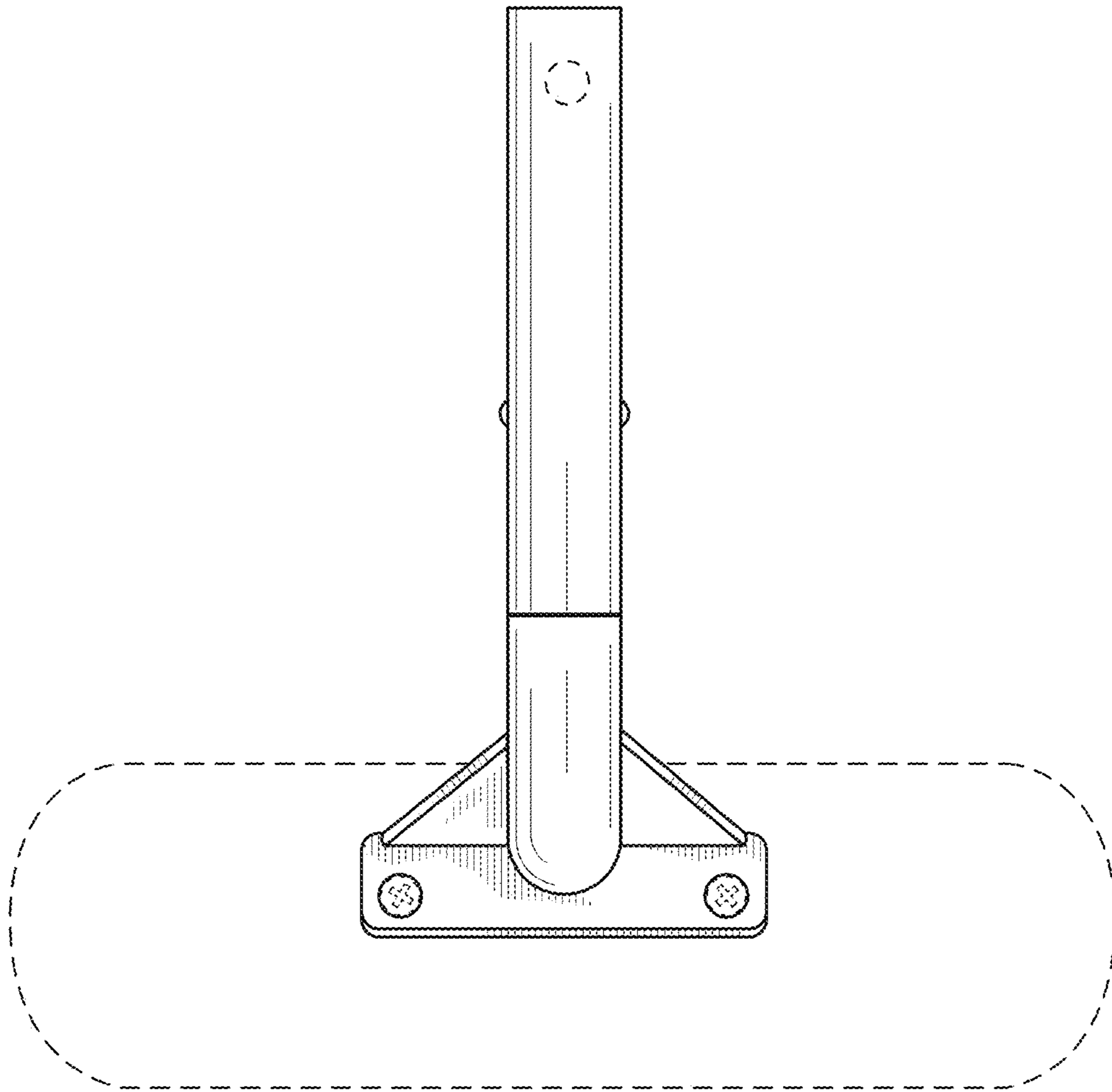


FIG. 2

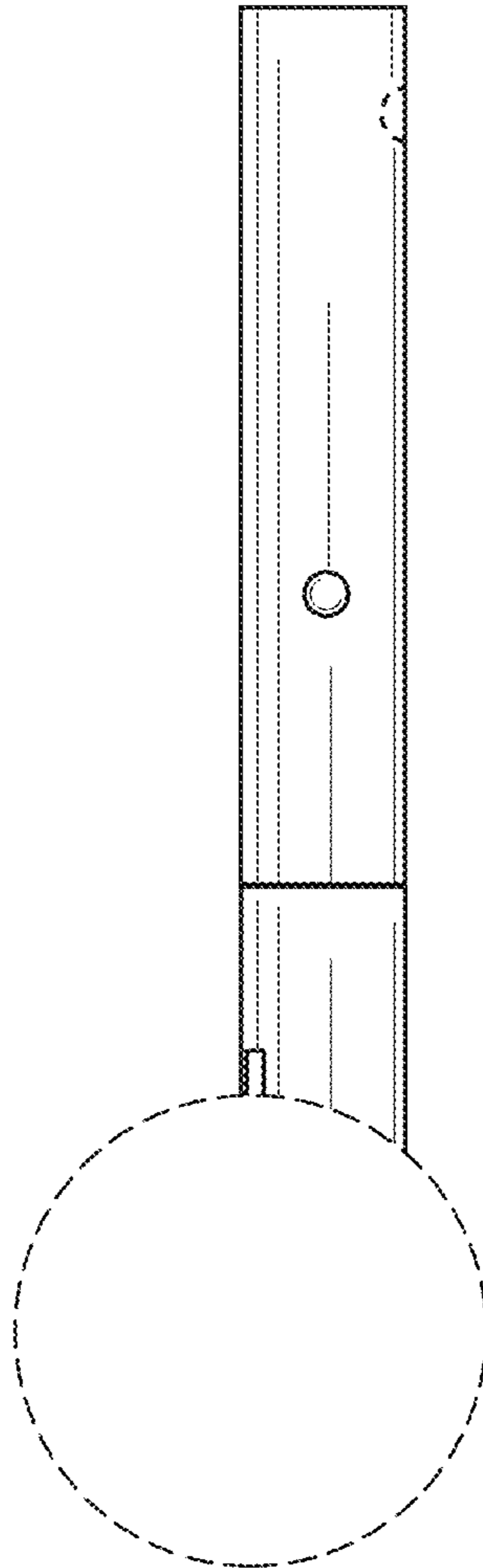


FIG. 3

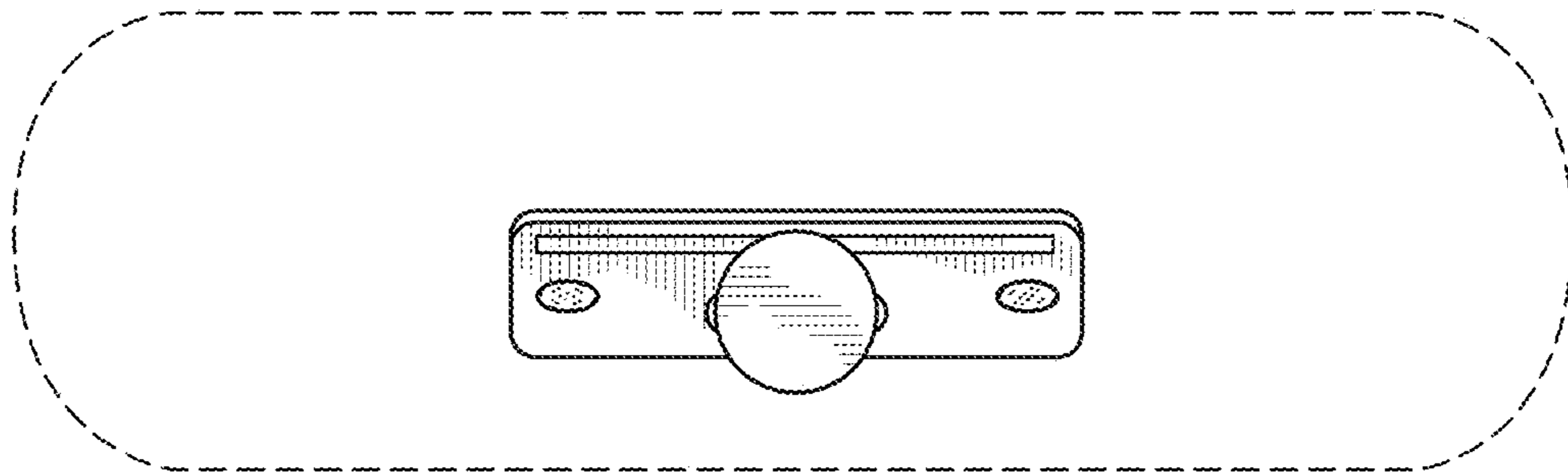


FIG. 4

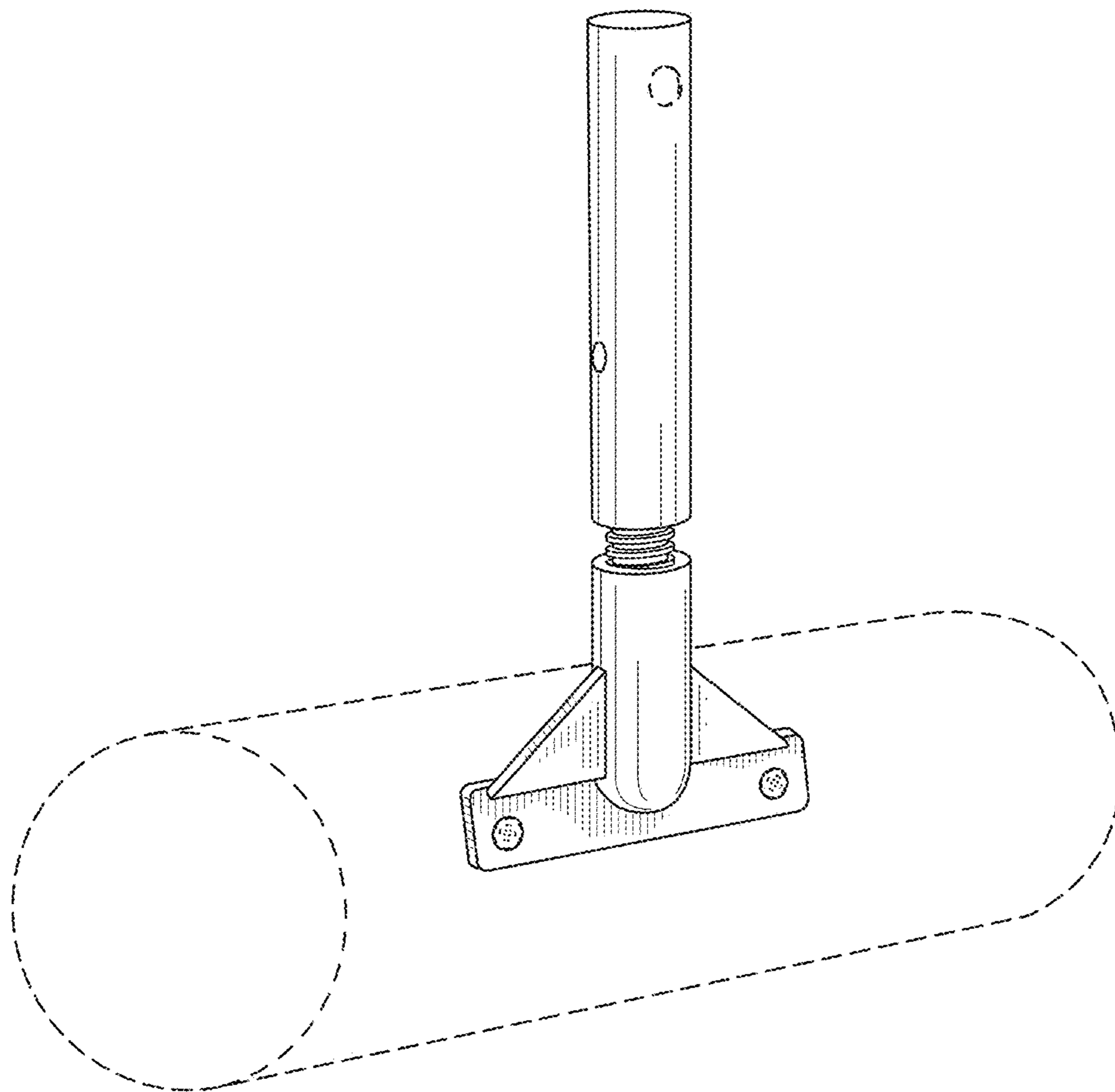


FIG. 5

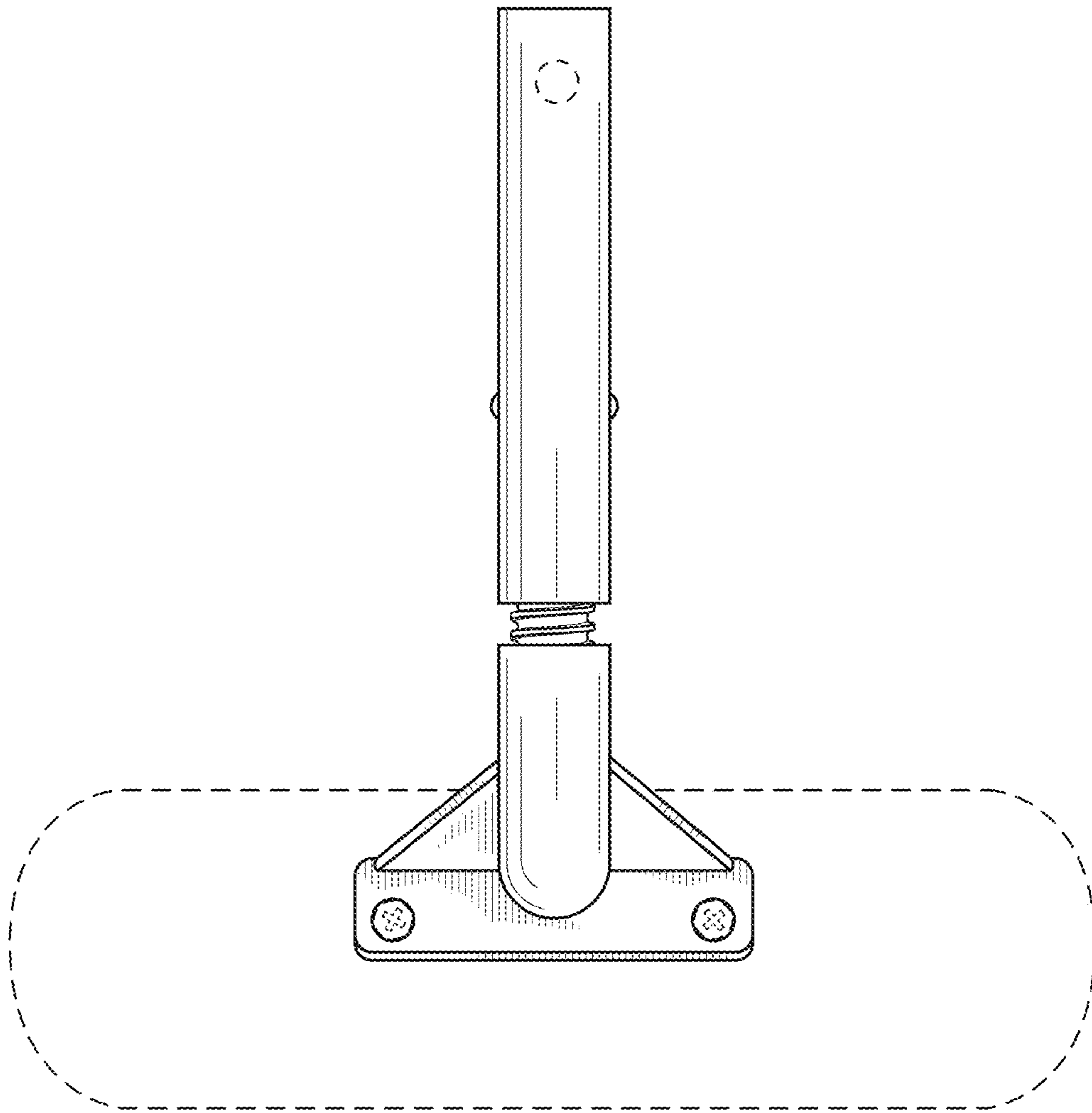


FIG. 6

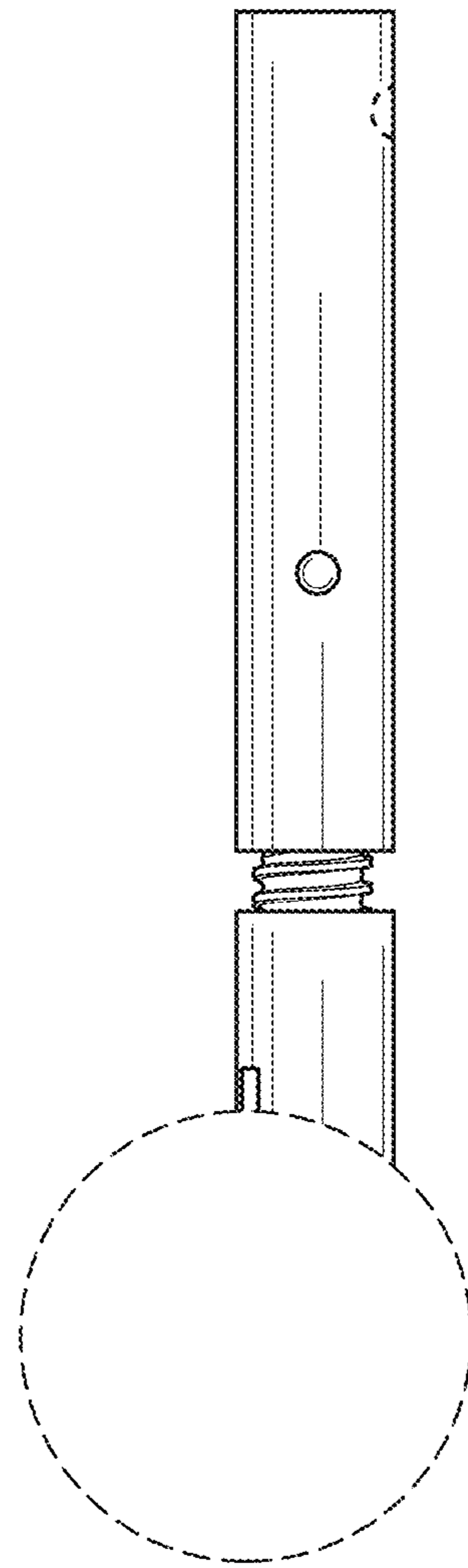


FIG. 7

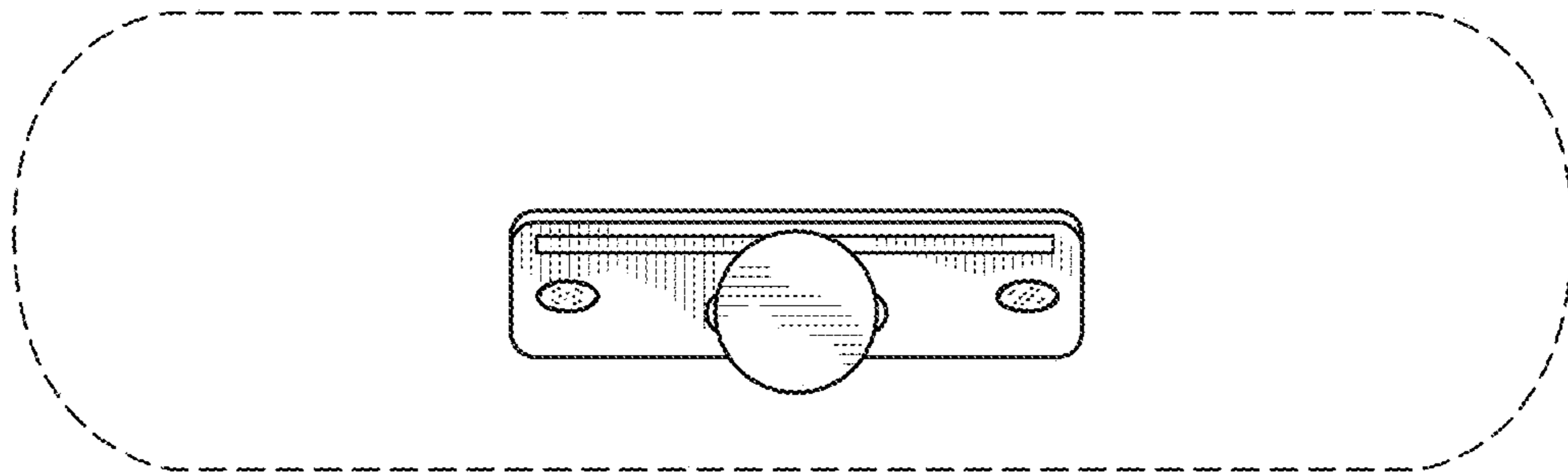


FIG. 8