



US00D979946S

(12) **United States Design Patent**  
**Liu**

(10) **Patent No.:** **US D979,946 S**  
(45) **Date of Patent:** **\*\* Mar. 7, 2023**

- (54) **CLEANING BRUSH**
- (71) Applicant: **Shasha Liu**, Jingmen (CN)
- (72) Inventor: **Shasha Liu**, Jingmen (CN)
- (73) Assignee: **Shasha Liu**, Jingmen (CN)
- (\*\*) Term: **15 Years**
- (21) Appl. No.: **29/850,698**
- (22) Filed: **Aug. 23, 2022**
- (51) **LOC (14) Cl.** ..... **04-01**
- (52) **U.S. Cl.**  
USPC ..... **D4/132**
- (58) **Field of Classification Search**  
USPC ..... D28/63; D4/116, 121, 127, 128, 129,  
D4/130, 131, 132, 133, 134, 135, 136,  
D4/137, 138, 199; D6/532  
CPC ... A47K 5/02; A47K 5/03; A47K 5/04; A47K  
5/1201; A46B 15/0055  
See application file for complete search history.

(56) **References Cited**

**U.S. PATENT DOCUMENTS**

- D29,167 S \* 8/1898 Shepherd ..... D4/127
- 2,063,338 A \* 12/1936 Pritchard ..... B24D 15/023  
451/518
- 4,919,420 A \* 4/1990 Sato ..... A63B 53/14  
156/154
- D324,958 S \* 3/1992 Piano ..... D4/104
- D331,149 S \* 11/1992 Piano ..... D4/104
- D386,316 S \* 11/1997 Fischer ..... D4/138

- D410,147 S \* 5/1999 King ..... D4/138
- 6,049,945 A \* 4/2000 Prevot ..... B65D 23/106  
220/756
- D579,209 S \* 10/2008 Krause ..... D4/132
- D646,898 S \* 10/2011 Raven ..... D4/118
- D709,345 S \* 7/2014 Reitano ..... B25G 1/102  
D8/107
- D713,152 S \* 9/2014 Lu ..... D4/118
- 10,517,386 B2 \* 12/2019 Zimmerman ..... A46B 15/0097
- D872,486 S \* 1/2020 Katsuma ..... D4/137
- D957,825 S 7/2022 Colson et al.

\* cited by examiner

*Primary Examiner* — Karen E Eldridge Powers  
(74) *Attorney, Agent, or Firm* — Nitin Kaushik

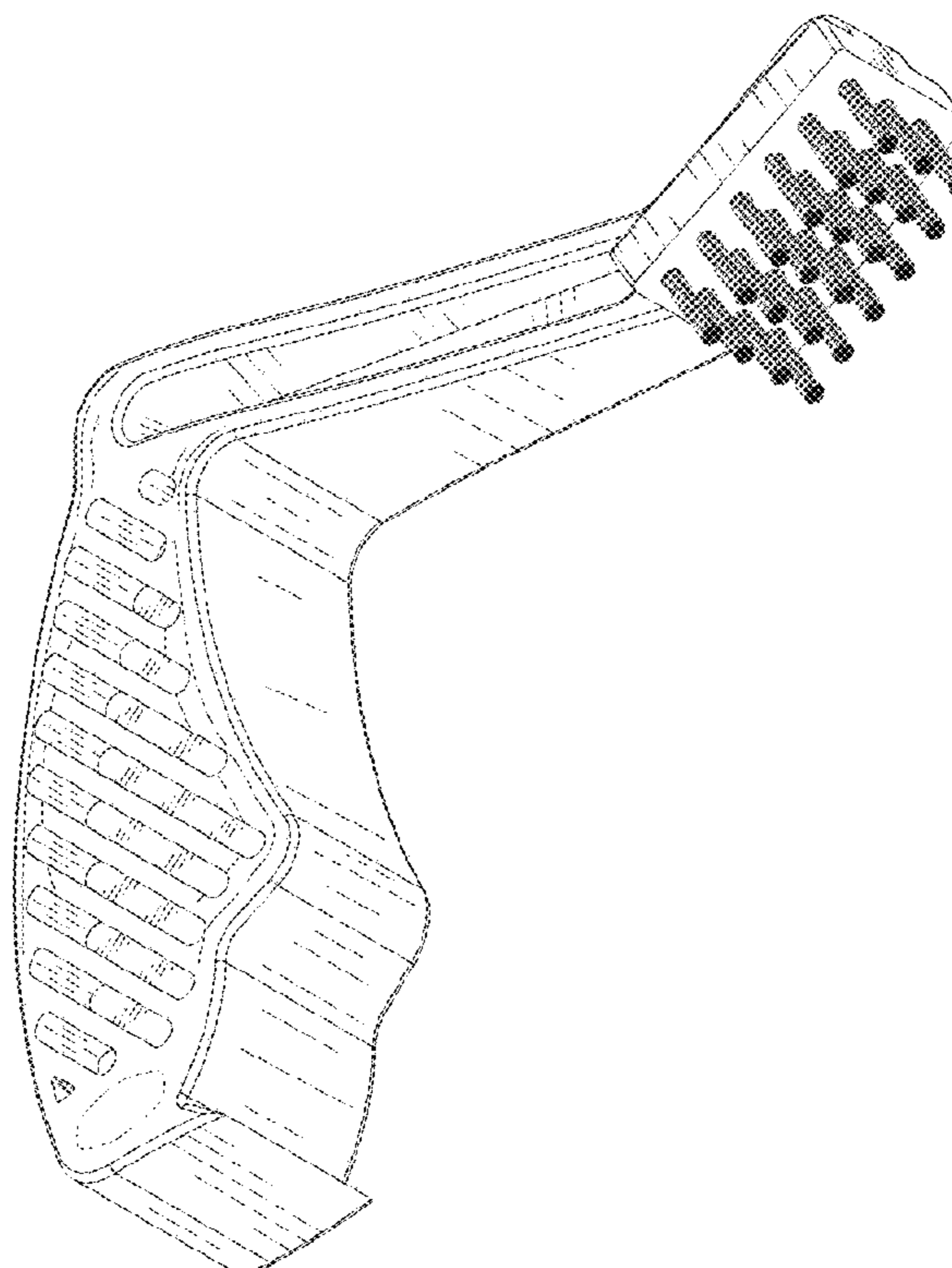
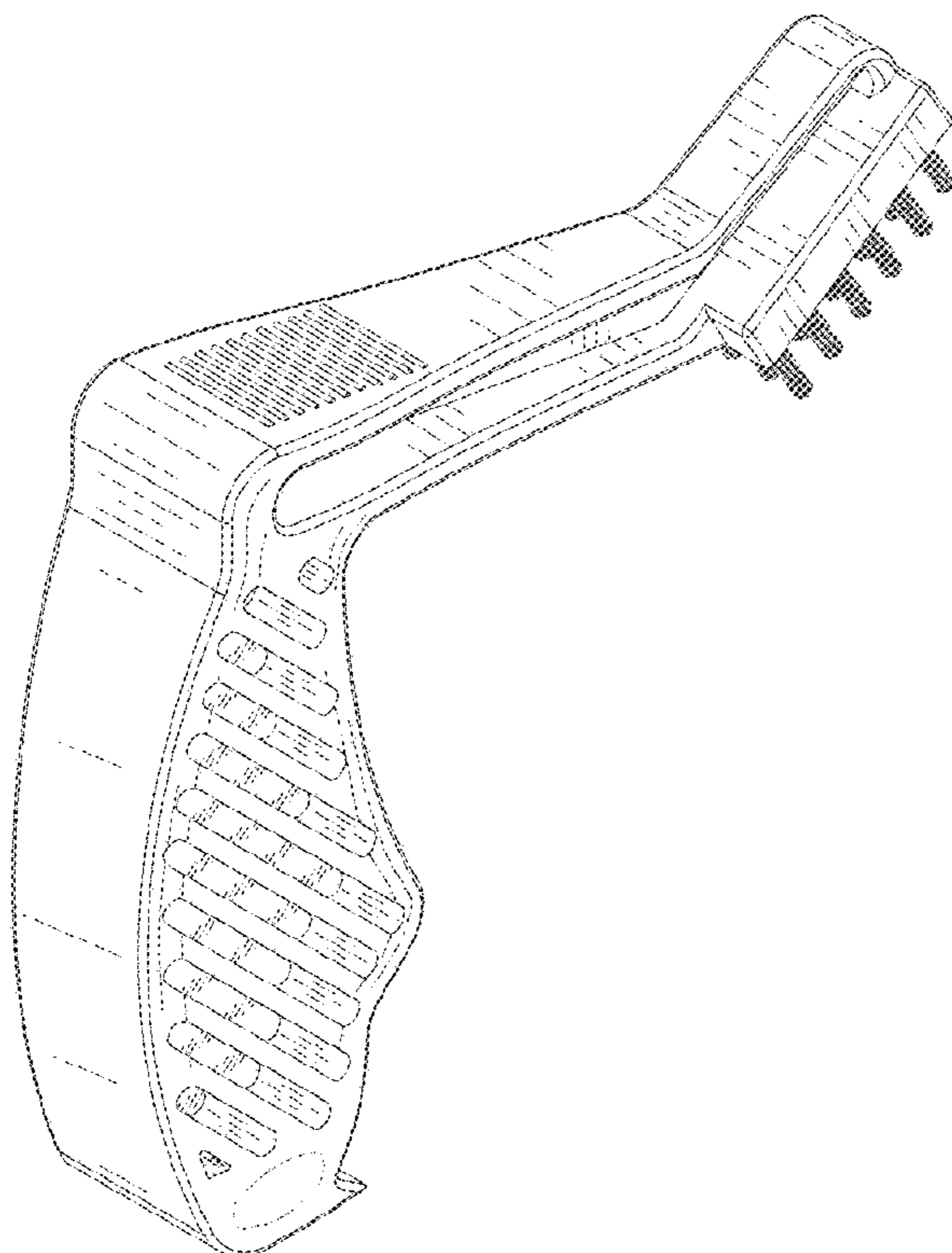
(57) **CLAIM**

The ornamental design for a cleaning brush, as shown and described.

**DESCRIPTION**

FIG. 1 is a front, top and left-side perspective view of a cleaning brush, showing my new design;  
 FIG. 2 is a front, bottom and right-side perspective view thereof;  
 FIG. 3 is a front elevational view thereof;  
 FIG. 4 is a rear elevational view thereof;  
 FIG. 5 is a left-side elevational view thereof;  
 FIG. 6 is a right-side elevational view thereof;  
 FIG. 7 is a top plan view thereof; and,  
 FIG. 8 is a bottom plan view thereof.  
 The broken lines in the drawings illustrate the portions of the cleaning brush, which form no part of the claimed design,

**1 Claim, 8 Drawing Sheets**



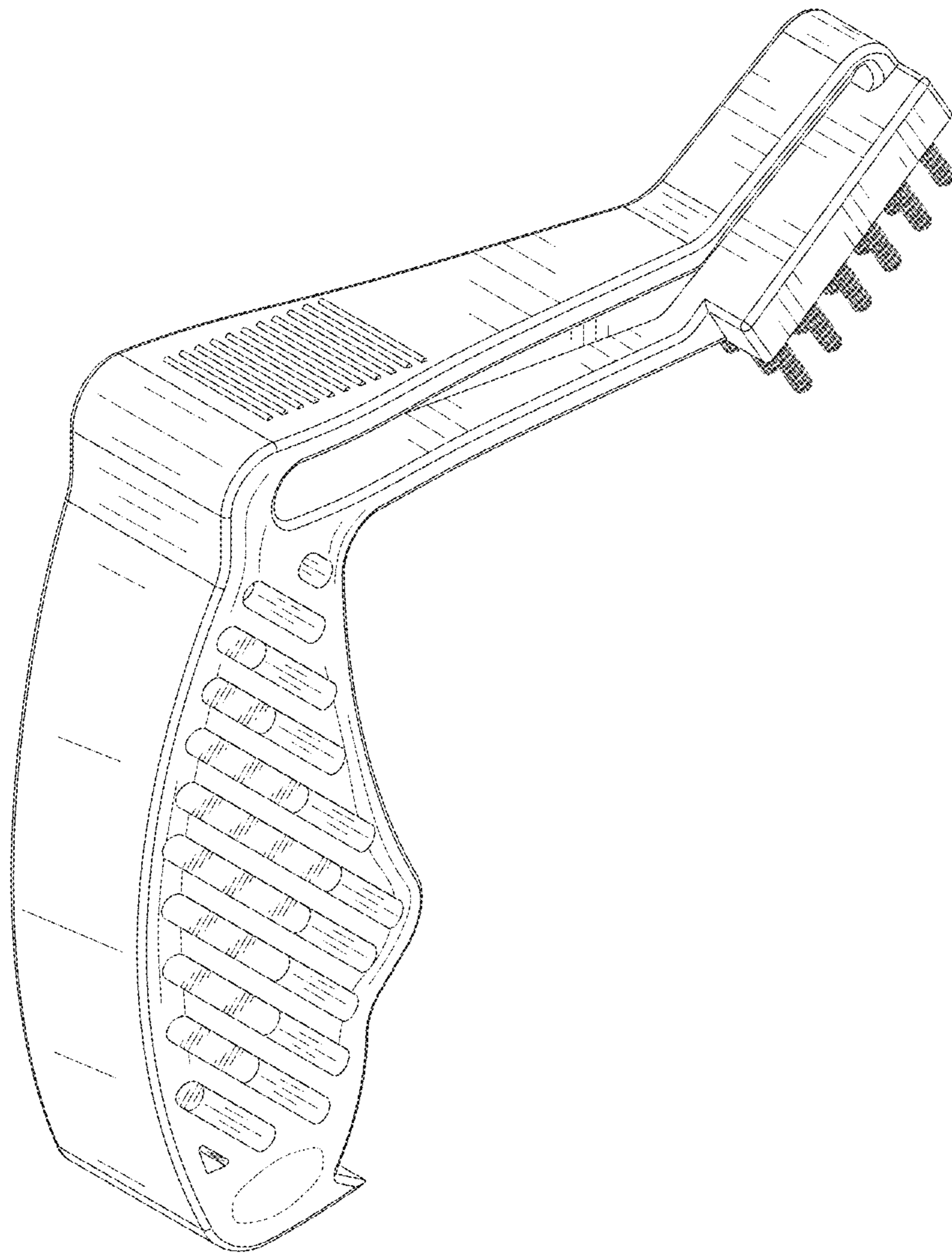


FIG. 1

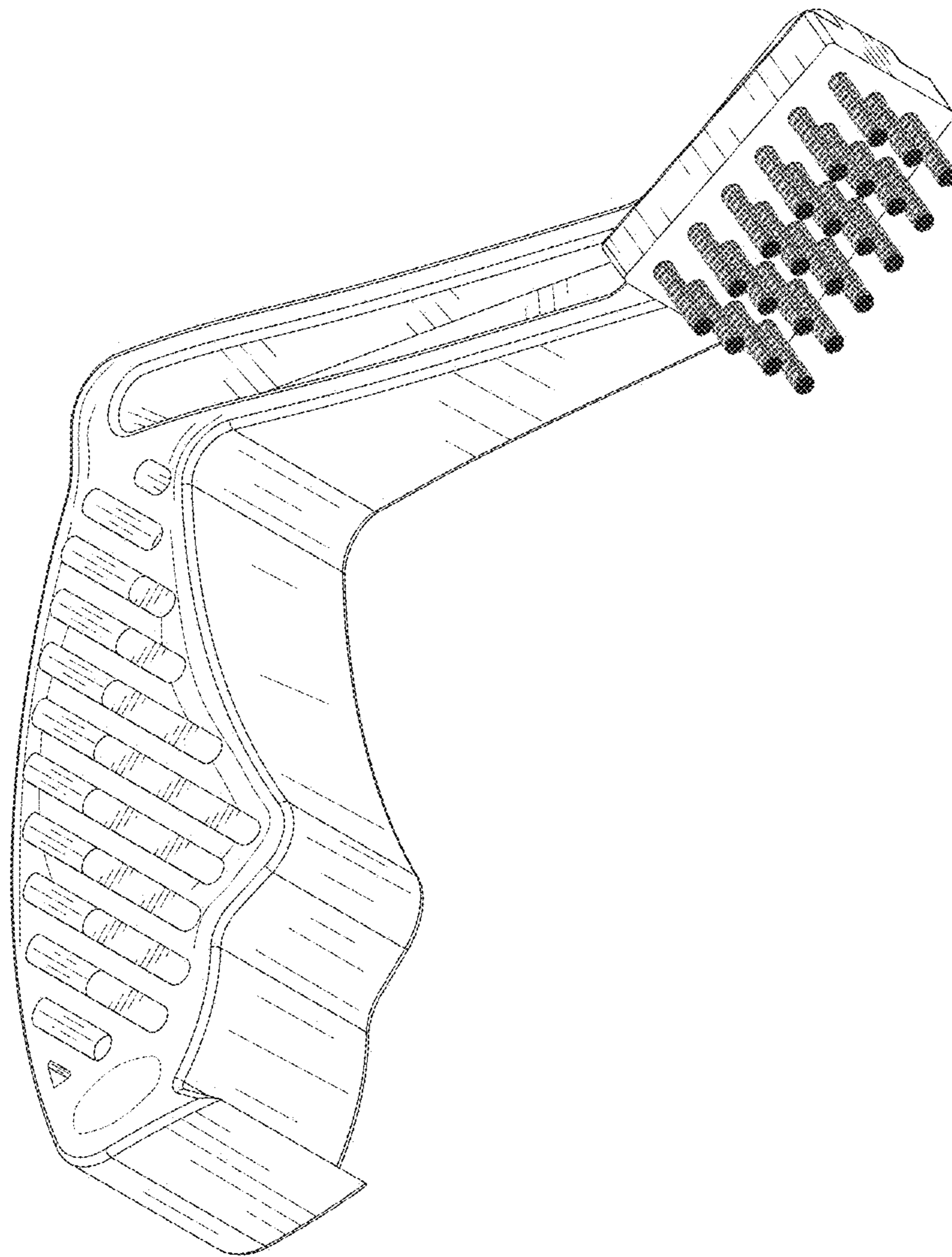
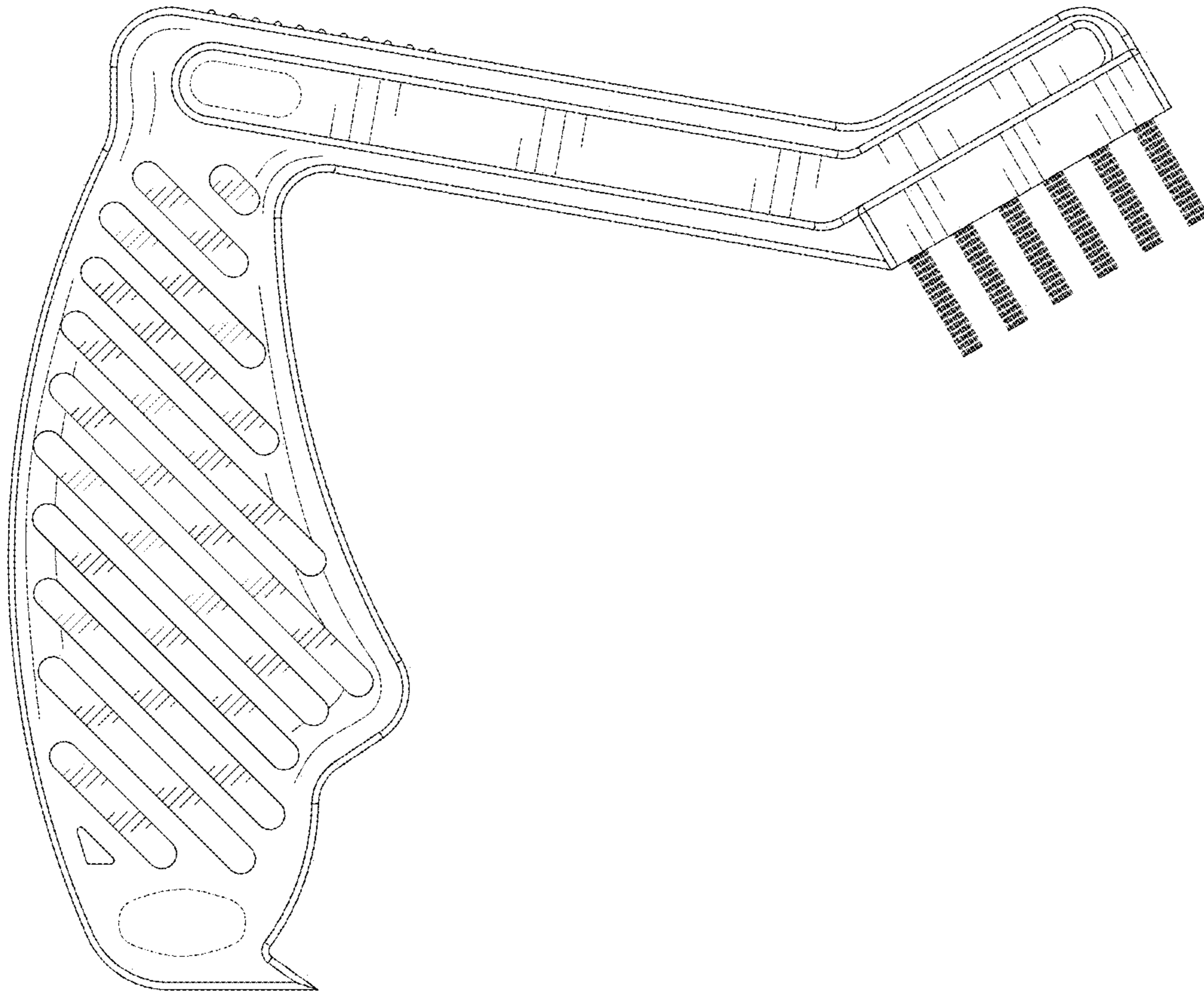


FIG. 2



**FIG. 3**

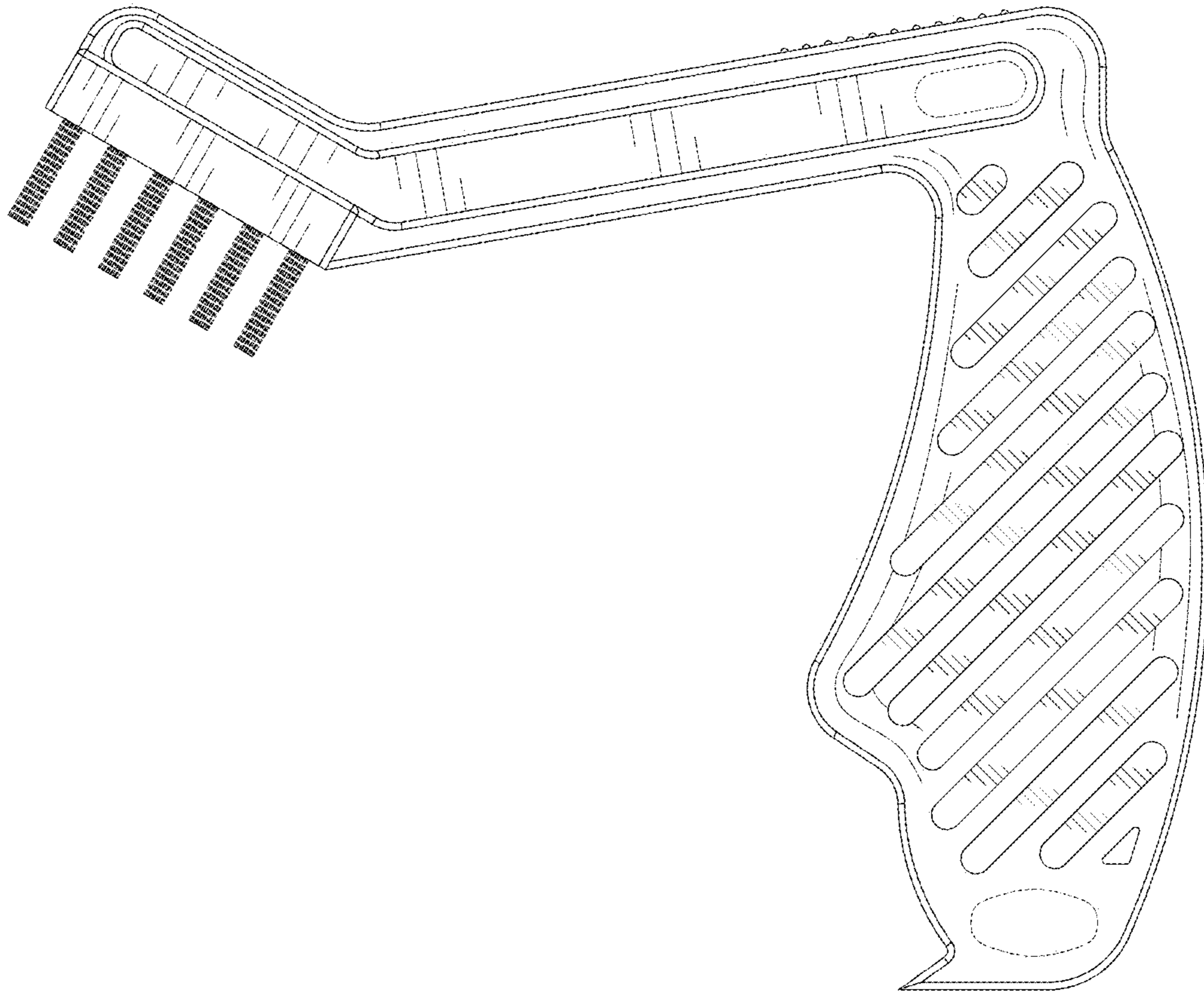
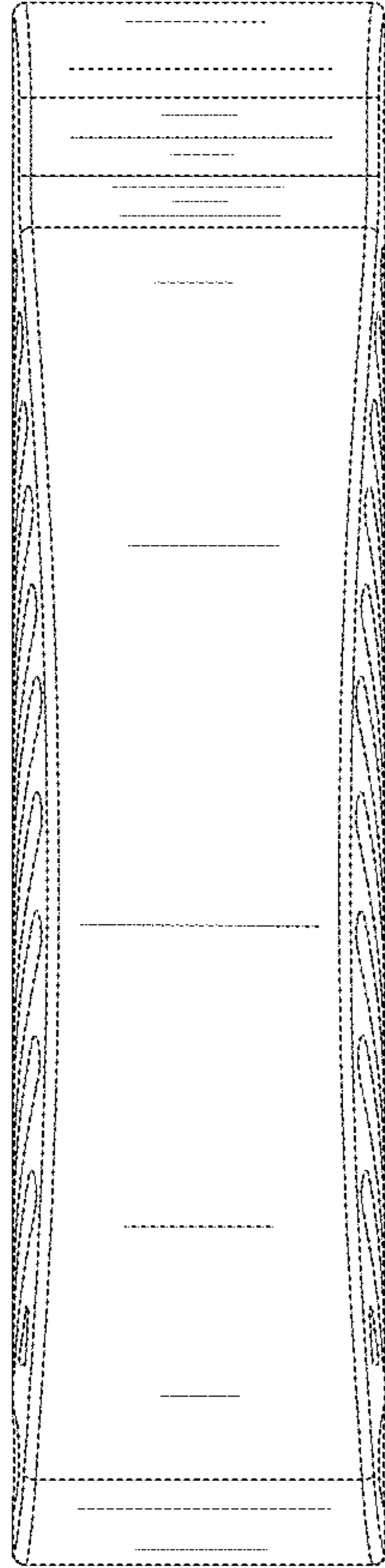
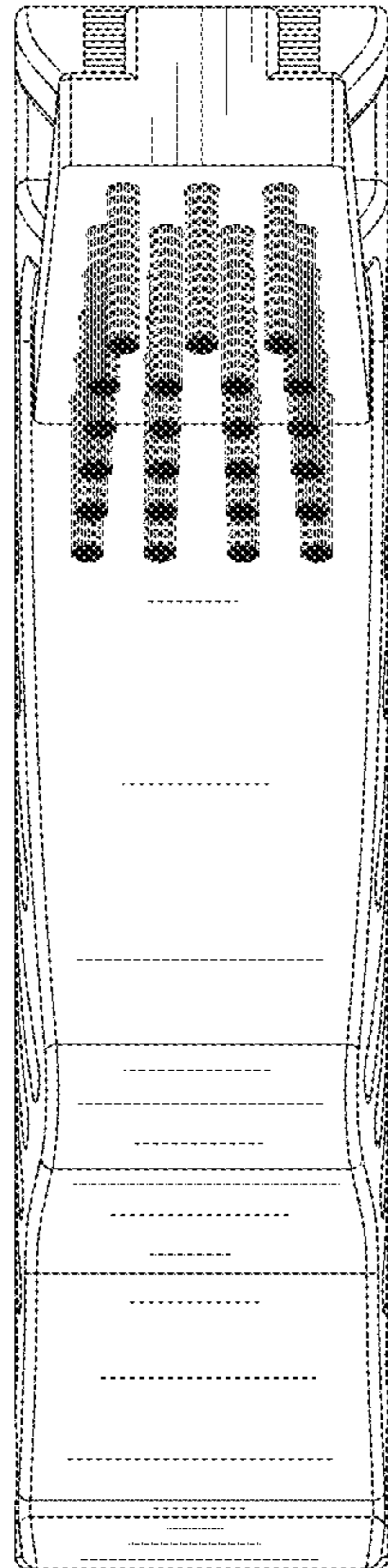


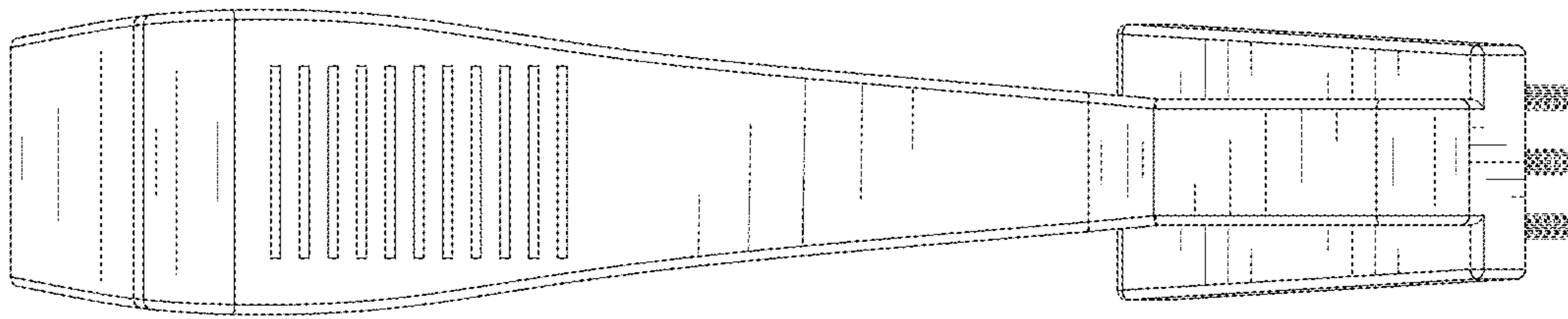
FIG. 4



**FIG. 5**



**FIG. 6**



**FIG. 7**



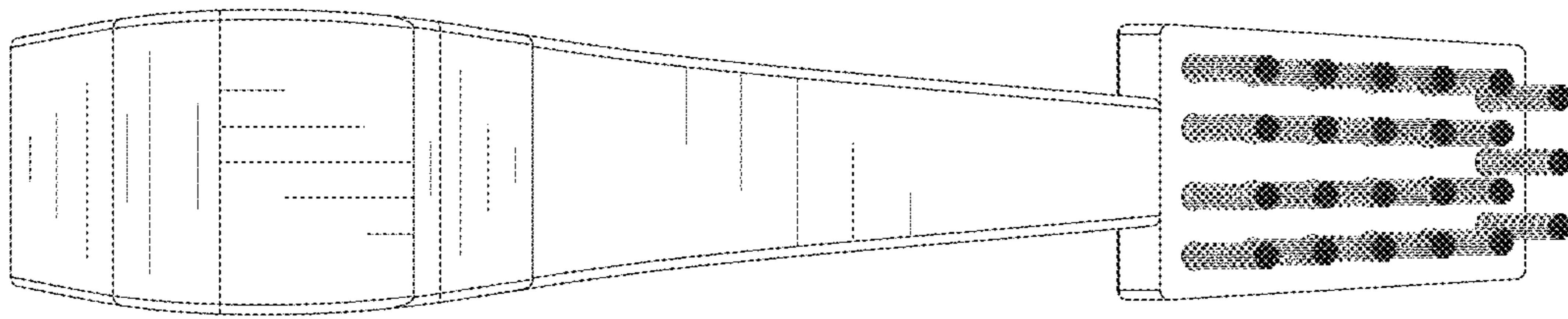


FIG. 8