

US00D979945S

(12) **United States Design Patent** (10) **Patent No.:** **US D979,945 S**
He (45) **Date of Patent:** **** Mar. 7, 2023**

(54) **ELECTRIC BATH BRUSH**

(71) Applicant: **Xuejin He**, Pingxiang (CN)

(72) Inventor: **Xuejin He**, Pingxiang (CN)

(**) Term: **15 Years**

(21) Appl. No.: **29/773,119**

(22) Filed: **Mar. 8, 2021**

(51) **LOC (14) Cl.** **04-99**

(52) **U.S. Cl.**
USPC **D4/127**

(58) **Field of Classification Search**
USPC D4/102, 119, 121, 127, 128, 129, 130,
D4/131, 132, 133, 134, 136, 137, 199
CPC A46B 2200/1046; A46B 2200/102; A46B
2200/104

See application file for complete search history.

(56) **References Cited**

U.S. PATENT DOCUMENTS

D250,229 S *	11/1978	Werner	D28/63
6,170,108 B1 *	1/2001	Knight	A46B 13/008
				601/114
6,499,174 B2 *	12/2002	Henrie	A46B 9/02
				D4/127
D523,642 S *	6/2006	Hollinger	D4/134
D599,114 S *	9/2009	Hinnant	D4/114
D757,443 S *	5/2016	Waitesmith	D4/127
D816,343 S *	5/2018	Tai	D4/100
D903,334 S *	12/2020	Walsh	D4/134
D928,407 S *	8/2021	Qi	D28/63
D959,150 S *	8/2022	Szymanski	D4/127

FOREIGN PATENT DOCUMENTS

CN 306924009 * 11/2021

OTHER PUBLICATIONS

Iifonii Brush, announced Jun. 2021 [online]. [site visited May 5, 2022]. Avail from int, URL: <https://www.amazon.com/Electric->

Removable-Rechargeable-Waterproof-%EF%BC%8CPerfect/dp/B094NWTS62/ref=asc_df_B094NWTS62/ (Year: 2021).*
Soul Bay Brush, announced Apr. 2021 [online], [site visited May 5, 2022]. Avail from int, URL: https://www.amazon.com/SoulBay-Electric-Body-Brush-Attachments/dp/B092Q6WC2R/ref=asc_df_B092Q6WC2R (Year: 2021).*
Walmart Brush, announced 2022 [online], [site visited May 5, 2022]. Avail from int, URL:<https://www.walmart.com/ip/Electric-Body-Brush-Massaging-Bath-Silicon-Scrubber-Waterproof-Exfoliating-Shower-5-Heads-Skin-With-Long-Handle-For-Men-Women-3-Mode-Battery-Cleansin/822161302> (Year: 2022).*

* cited by examiner

Primary Examiner — Cynthia Ramirez
Assistant Examiner — Tamara L Hahn
(74) *Attorney, Agent, or Firm* — Rumit Ranjit Kanakia

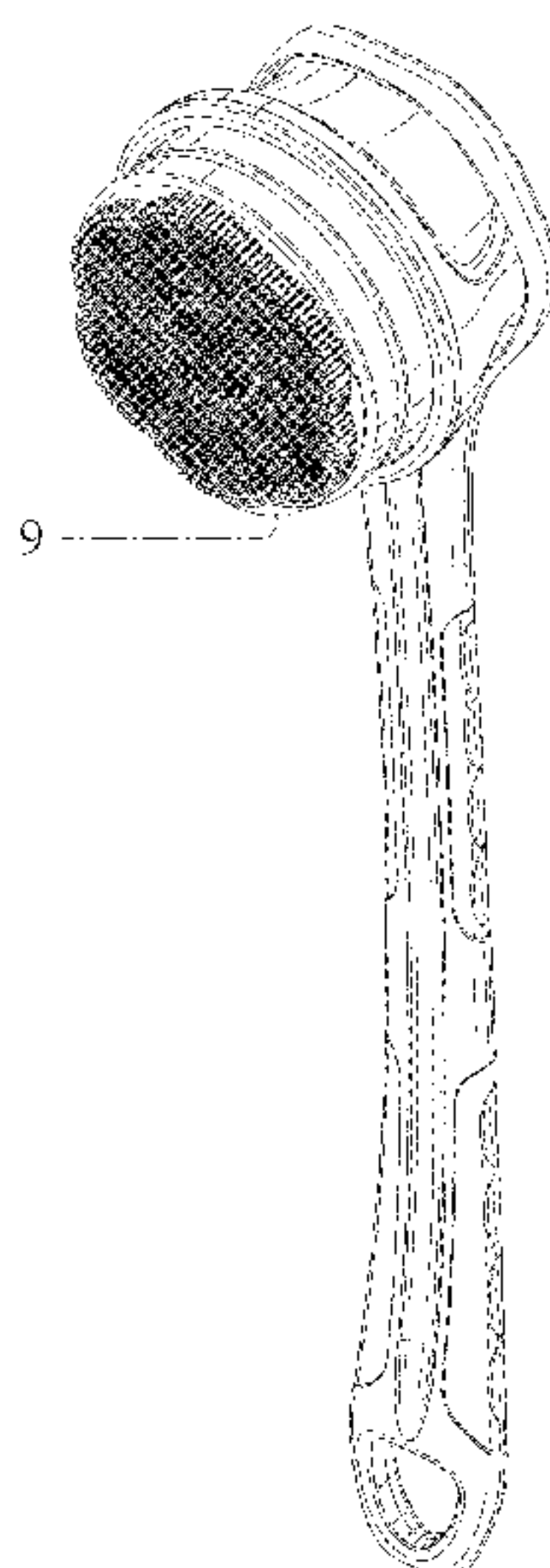
(57) **CLAIM**

The ornamental design for a electric bath brush, as shown and described.

DESCRIPTION

FIG. 1 is a first perspective view of an electric bath brush showing my new design;
FIG. 2 is a second perspective view thereof;
FIG. 3 is a front elevational view thereof;
FIG. 4 is a rear elevational view thereof;
FIG. 5 is a left side view thereof;
FIG. 6 is a right side view thereof;
FIG. 7 is a top plan view thereof;
FIG. 8 is a bottom plan view thereof; and,
FIG. 9 is an enlarged view of part 9 in FIG. 1.
The broken lines in the drawings depict portions of the electric bath brush that form no part of the claimed design. The dot-dash broken lines shown in FIGS. 1 and 9 are to show enlarged views and form no part of the claimed design.

1 Claim, 9 Drawing Sheets



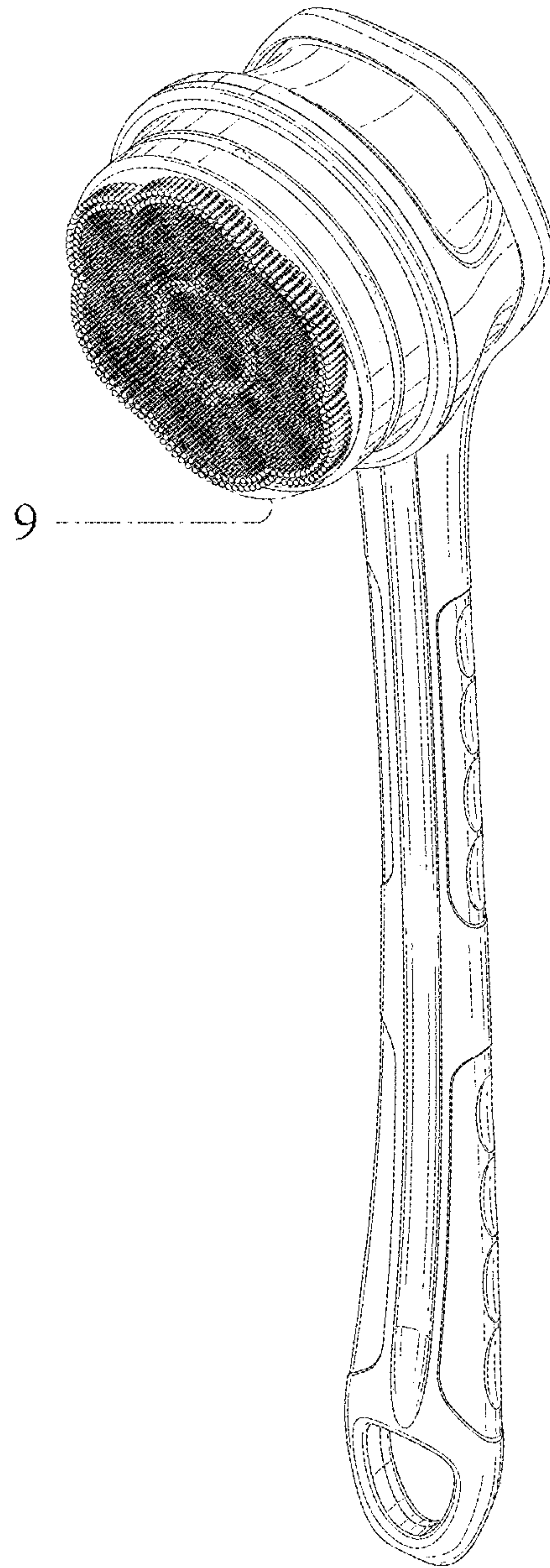


FIG.1

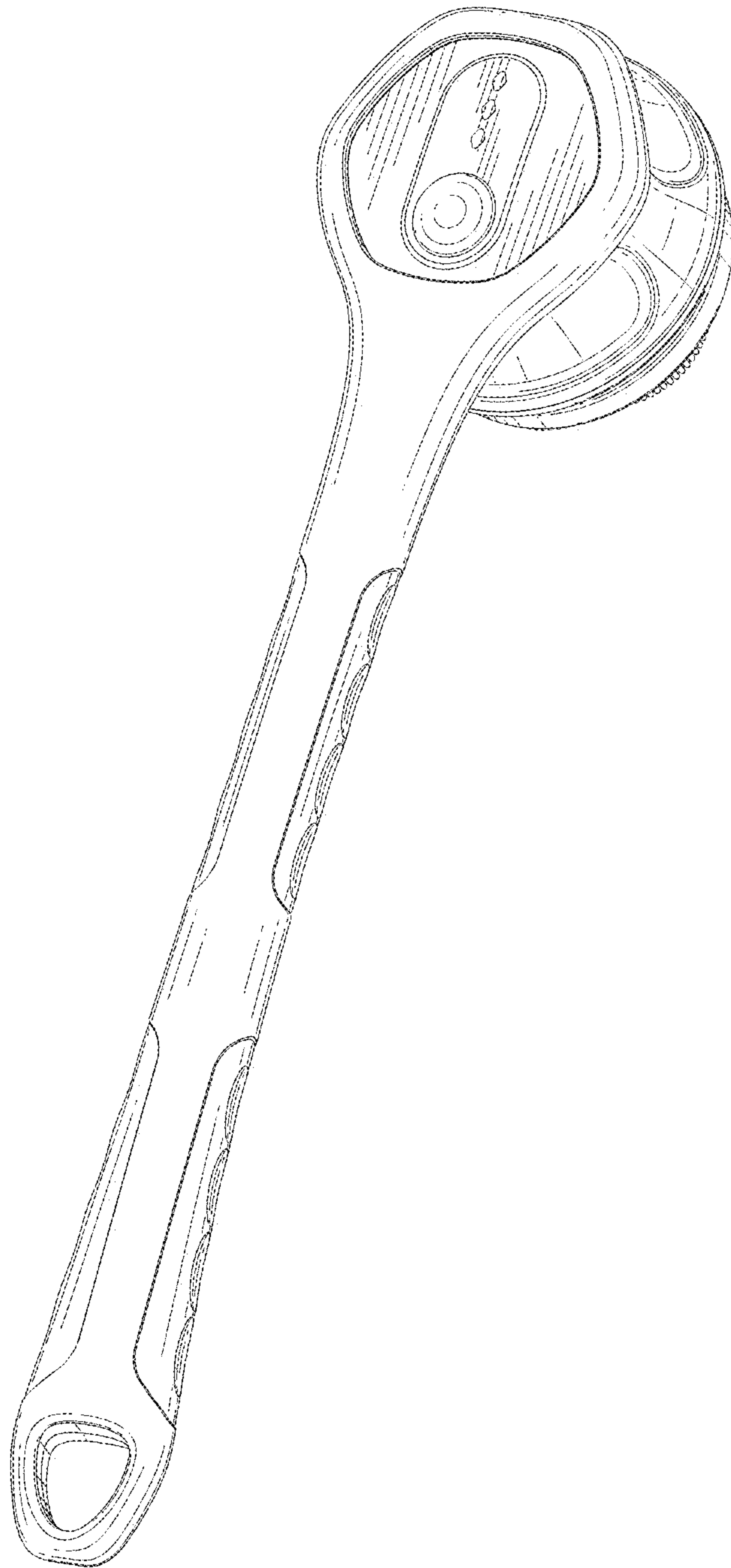


FIG.2

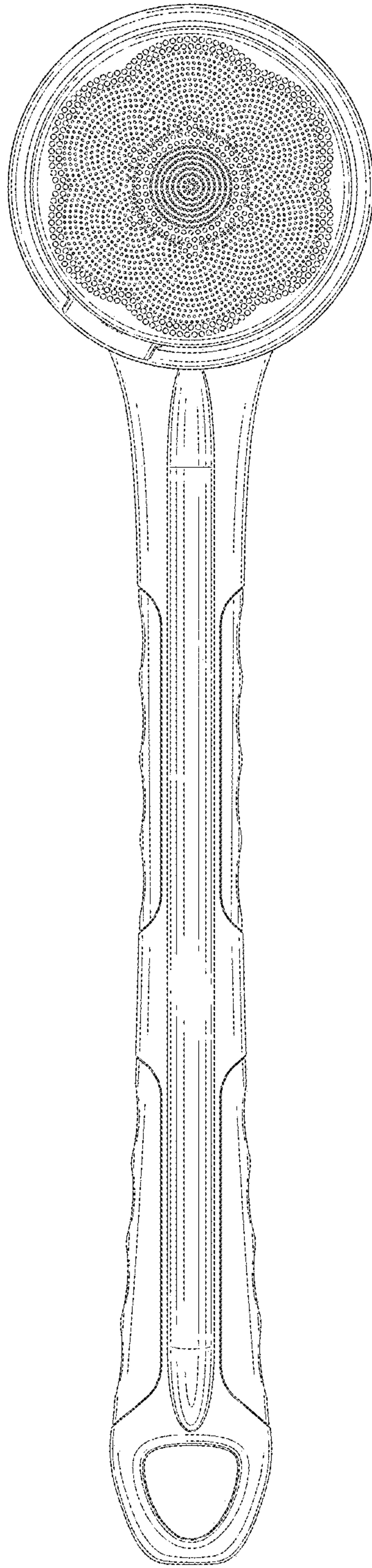


FIG.3

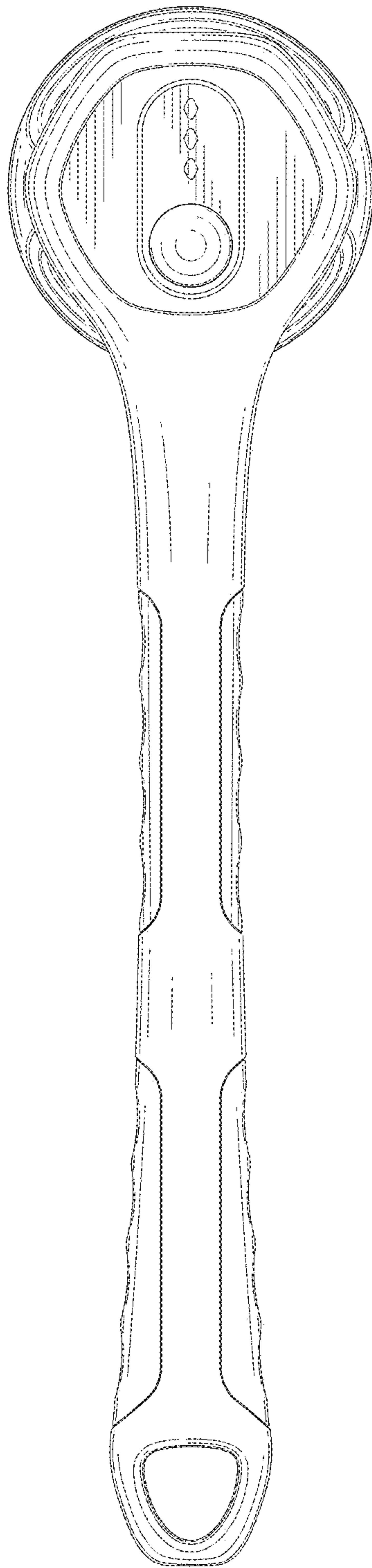


FIG.4

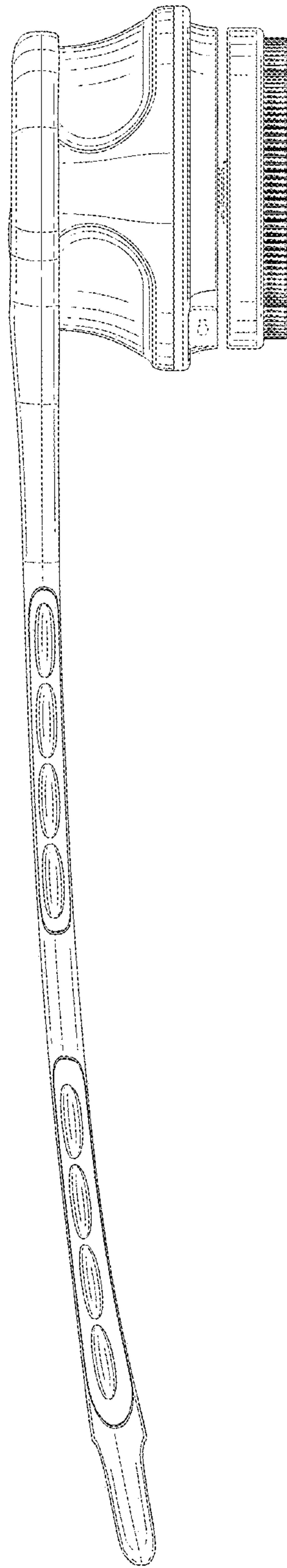


FIG.5

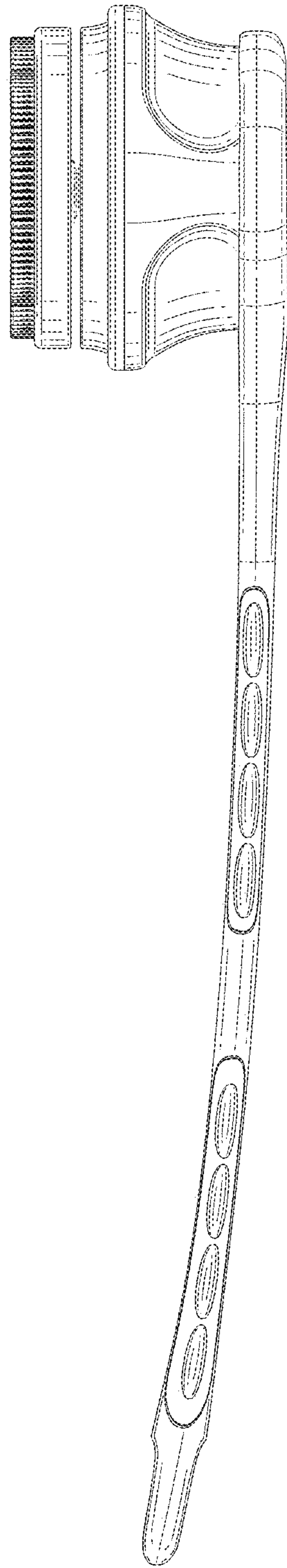


FIG.6

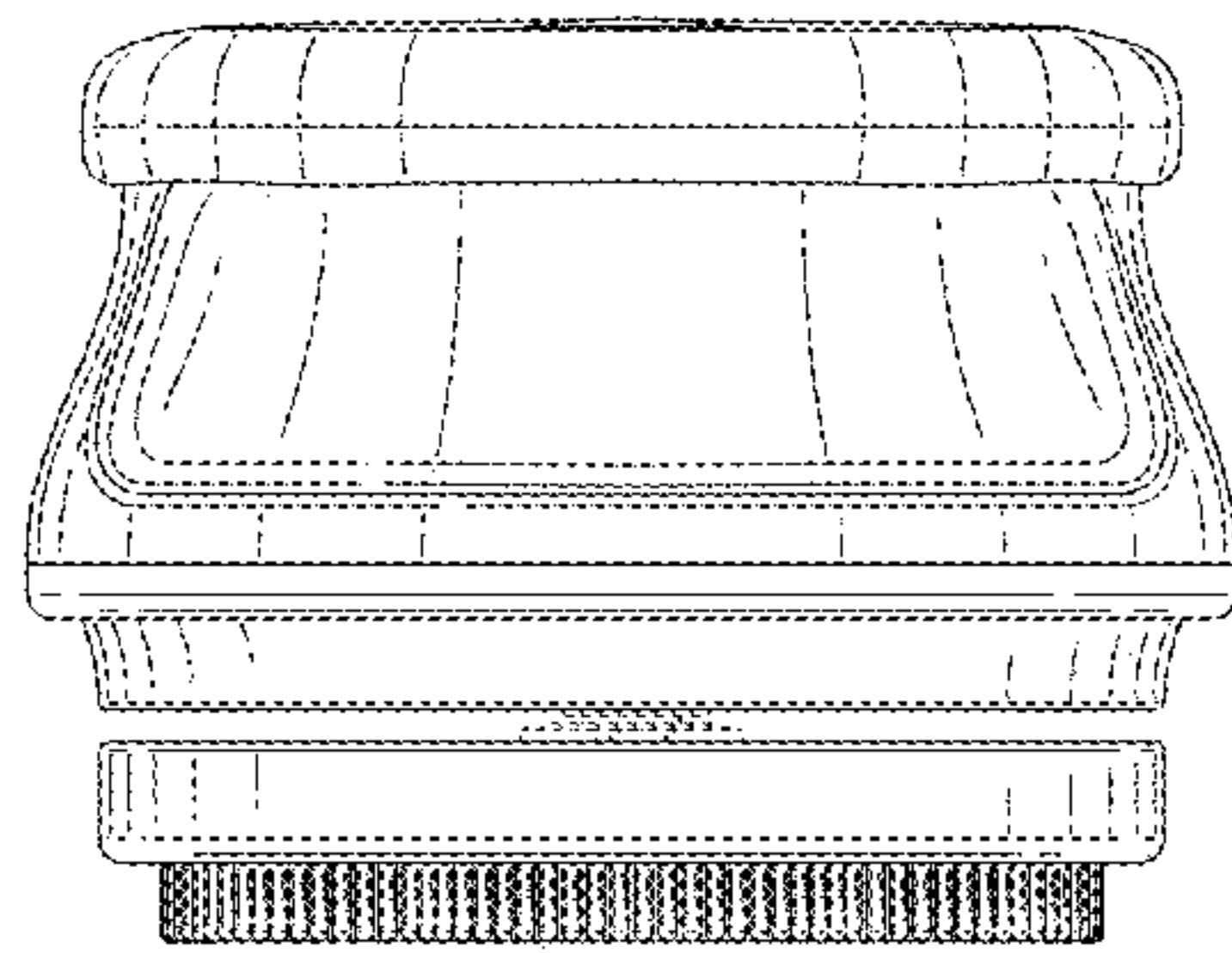


FIG.7

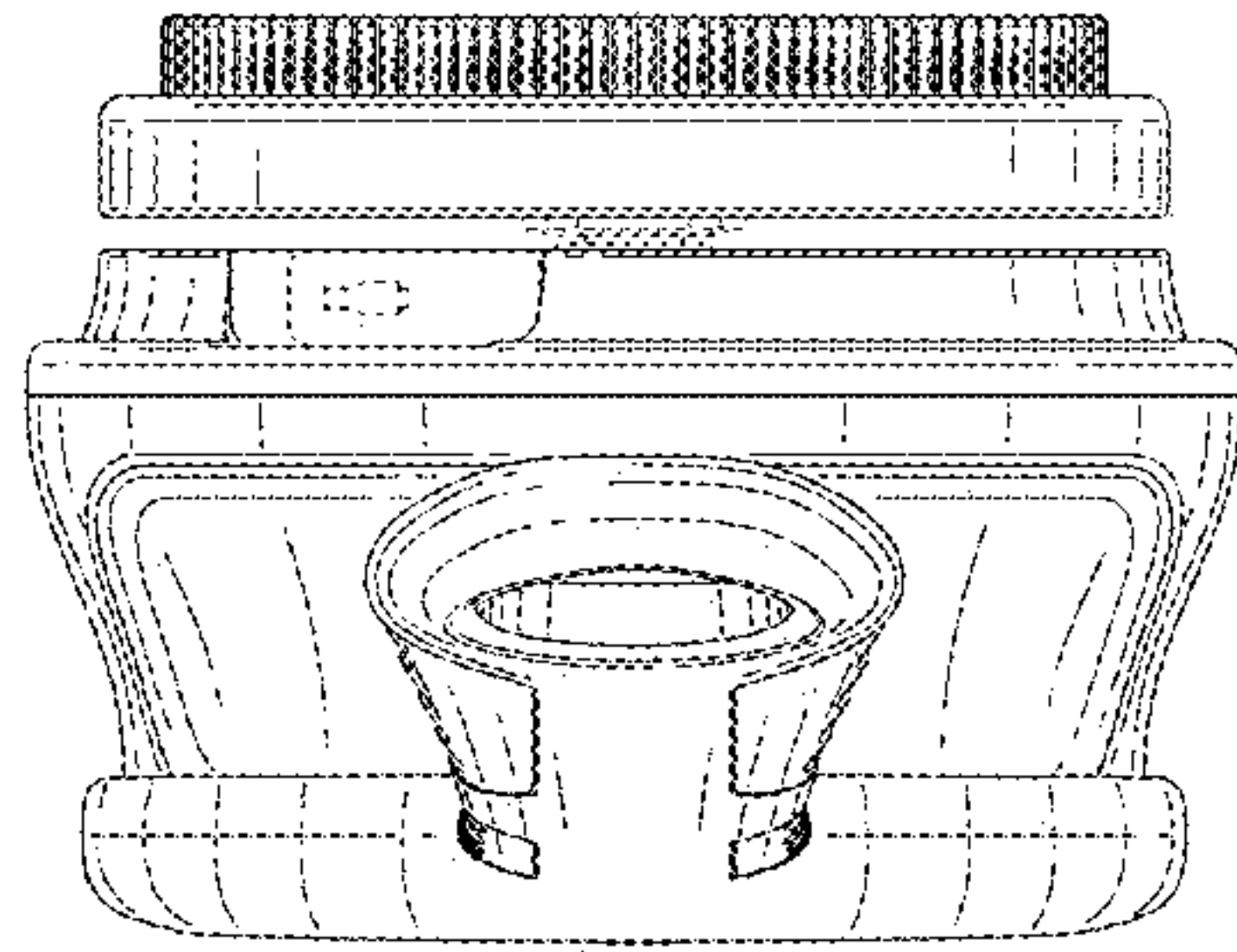


FIG.8

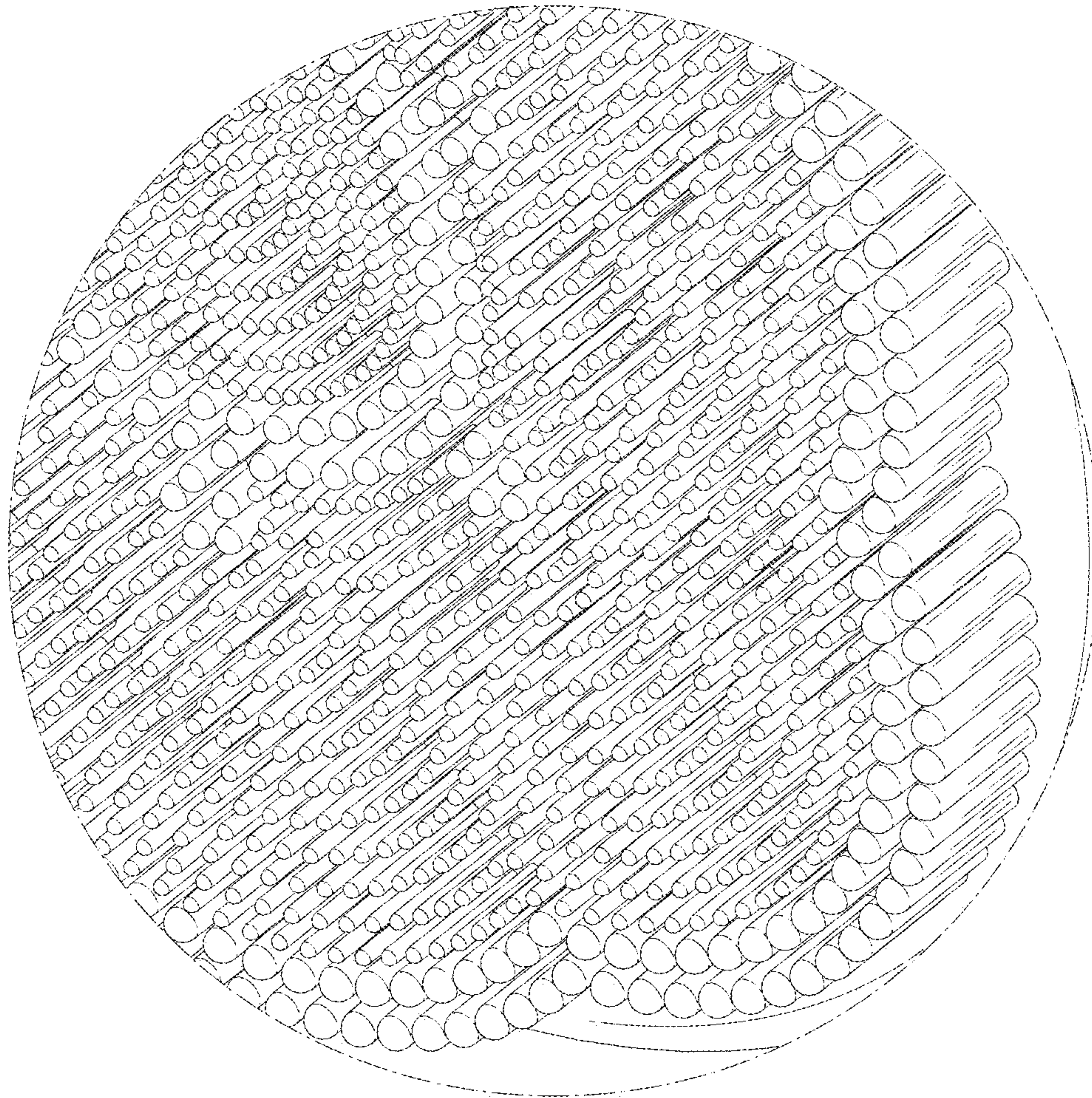


FIG. 9