



US00D979943S

(12) **United States Design Patent**
Abdolsamadi

(10) **Patent No.:** **US D979,943 S**
(45) **Date of Patent:** **** Mar. 7, 2023**

- (54) **FOOTBALL BRUSH HANDLE**
- (71) Applicant: **Sepehr Abdolsamadi**, Irvine, CA (US)
- (72) Inventor: **Sepehr Abdolsamadi**, Irvine, CA (US)
- (**) Term: **15 Years**
- (21) Appl. No.: **29/789,397**
- (22) Filed: **Sep. 21, 2021**
- (51) **LOC (14) Cl.** **04-99**
- (52) **U.S. Cl.**
USPC **D4/124**
- (58) **Field of Classification Search**
USPC D4/124, 125, 134, 118, 138, 127;
D28/63, 7; D21/795, 709; D32/35, 42,
D32/1; D7/654, 901
CPC A46B 15/00; G09B 19/0084
See application file for complete search history.

- D405,926 S * 2/1999 Badillo D28/63
- D457,682 S * 5/2002 Angeletta D28/7
- 6,461,164 B1 * 10/2002 Ramelli G09B 19/0084
434/262
- D522,247 S * 6/2006 Moore D4/124
- D527,187 S * 8/2006 Ramelli D4/138
- D527,527 S * 9/2006 Ramelli D4/138
- D802,307 S * 11/2017 Peterson D4/127
- D927,066 S * 8/2021 Yue D28/63
- D957,826 S * 7/2022 Sommer D4/134

* cited by examiner

Primary Examiner — Rhea Shields

(74) *Attorney, Agent, or Firm* — Philip Virga

(57) **CLAIM**

I claim the ornamental design for a football brush handle, as shown and described.

DESCRIPTION

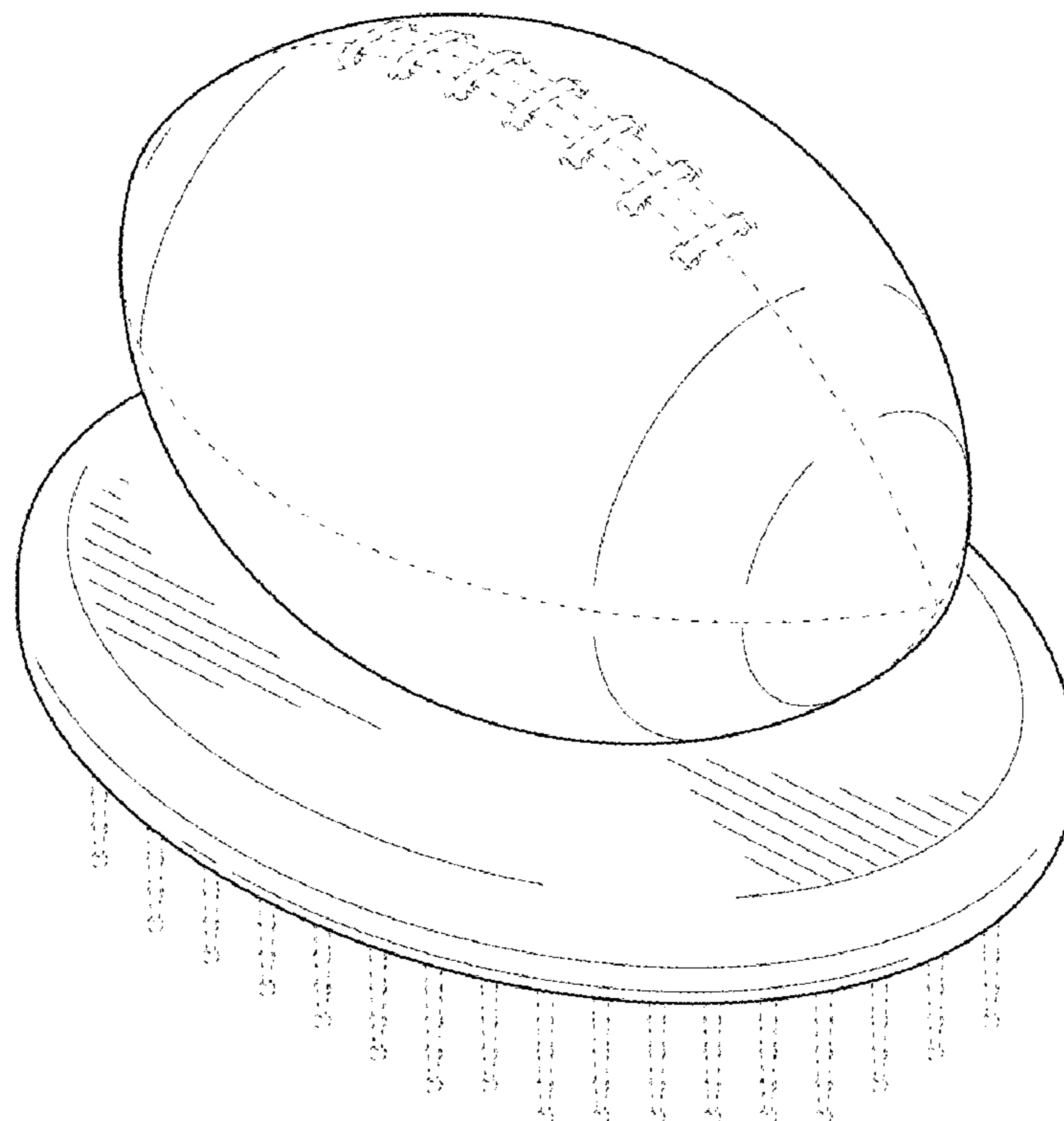
FIG. 1 is a top perspective view of a football brush handle embodying the new design;
 FIG. 2 is a bottom perspective view of the football brush handle shown in FIG. 1;
 FIG. 3 is a front view thereof;
 FIG. 4 is a rear view thereof;
 FIG. 5 is a left view thereof;
 FIG. 6 is a right view thereof.
 FIG. 7 is a top view thereof; and,
 FIG. 8 is a bottom view thereof.
 In the drawings, the broken lines are for the purpose of illustrating portions of the football brush handle that forms no part of the claimed design.

1 Claim, 4 Drawing Sheets

(56) **References Cited**

U.S. PATENT DOCUMENTS

- D27,204 S * 6/1897 Jackson D4/124
- D150,218 S * 7/1948 Fournier D21/709
- D202,027 S * 8/1965 Styron D4/118
- D275,780 S * 10/1984 Pearson D7/901
- D292,753 S * 11/1987 Clayton D21/795
- 5,054,153 A * 10/1991 Silliman A46B 15/00
15/207.2
- D333,922 S * 3/1993 Strickler D30/158
- D350,630 S * 9/1994 Smith D32/1
- D366,603 S * 1/1996 Harrison D7/654
- D398,156 S * 9/1998 Jovaag D4/134



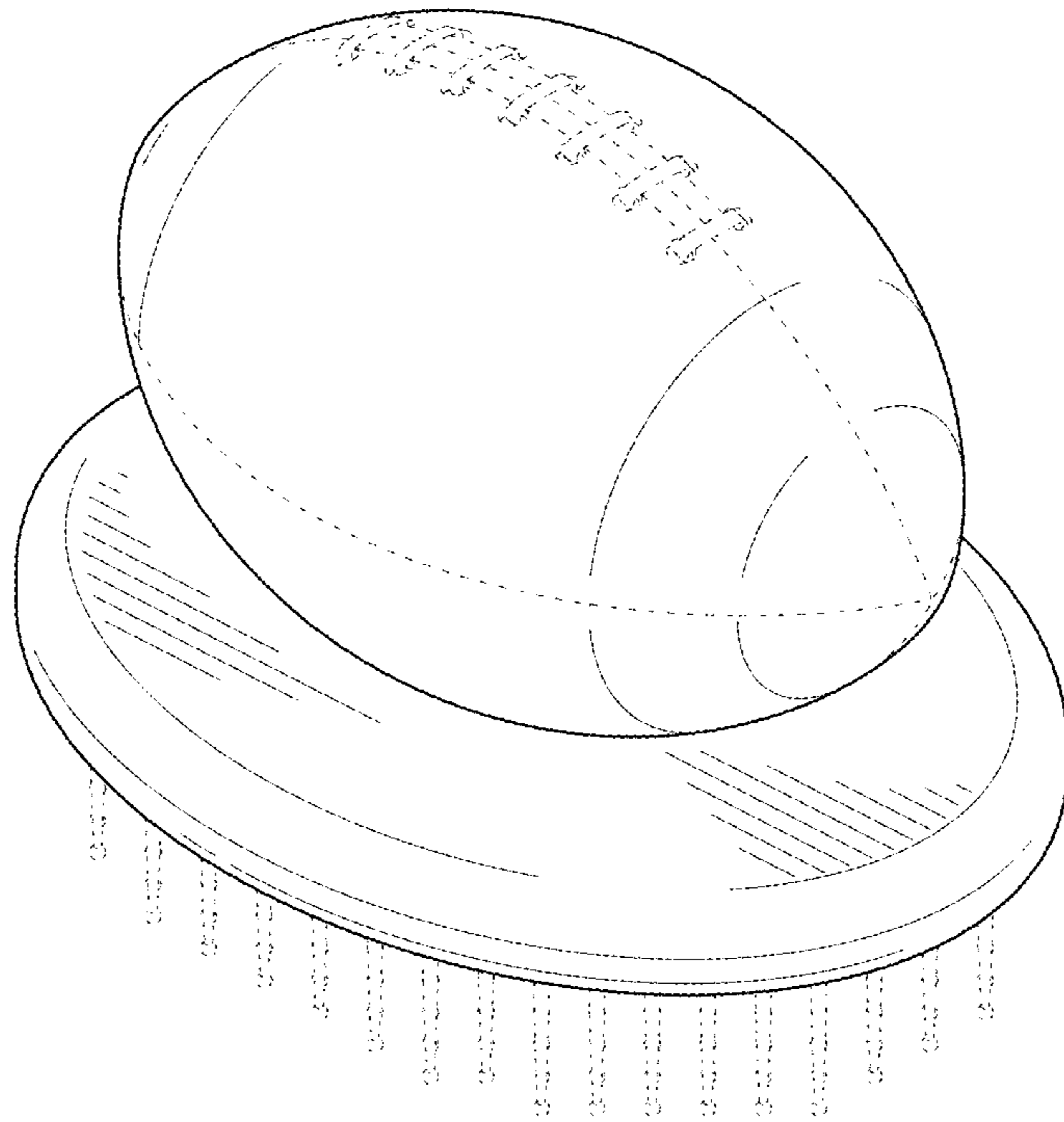


FIG. 1

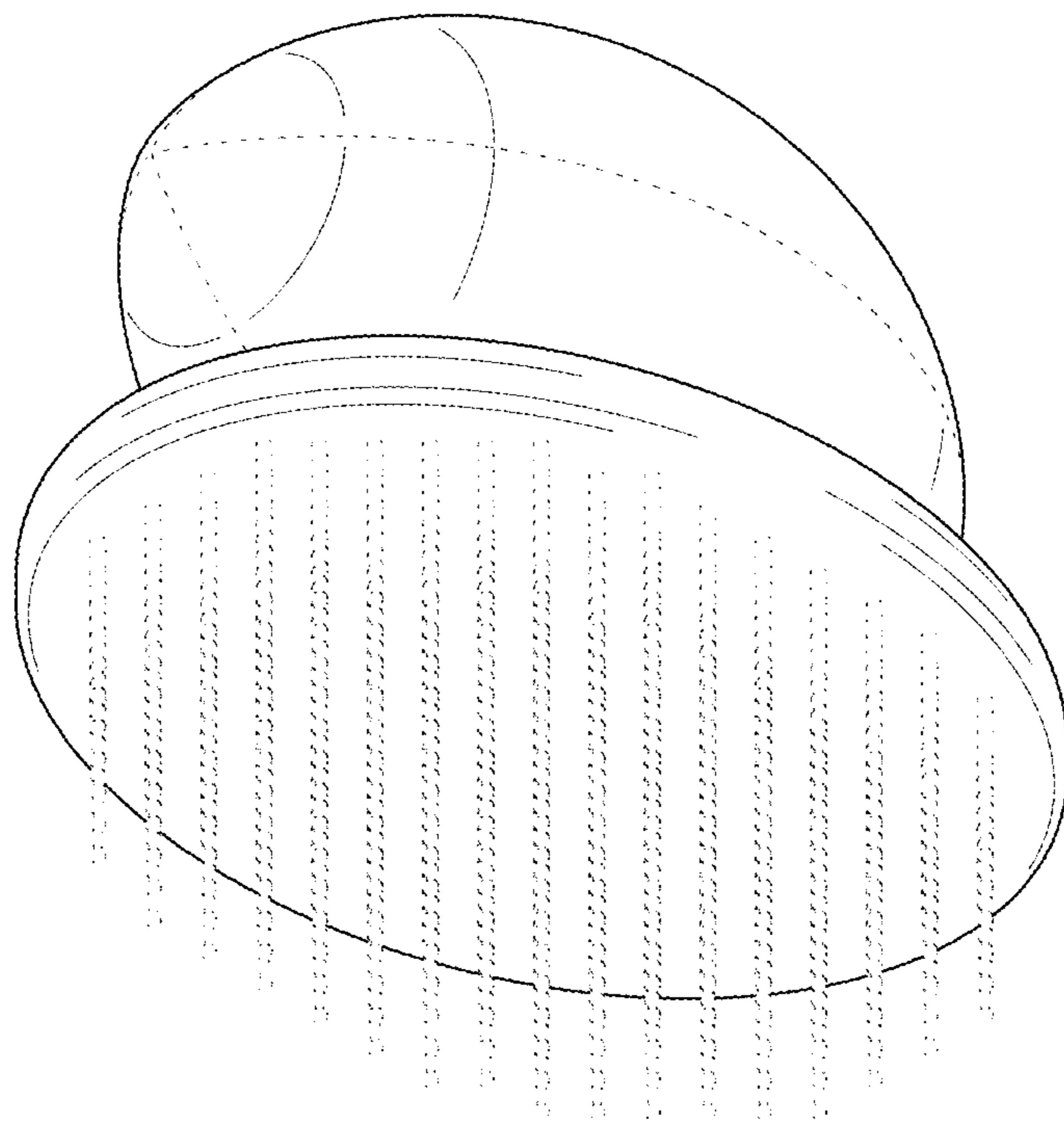


FIG. 2

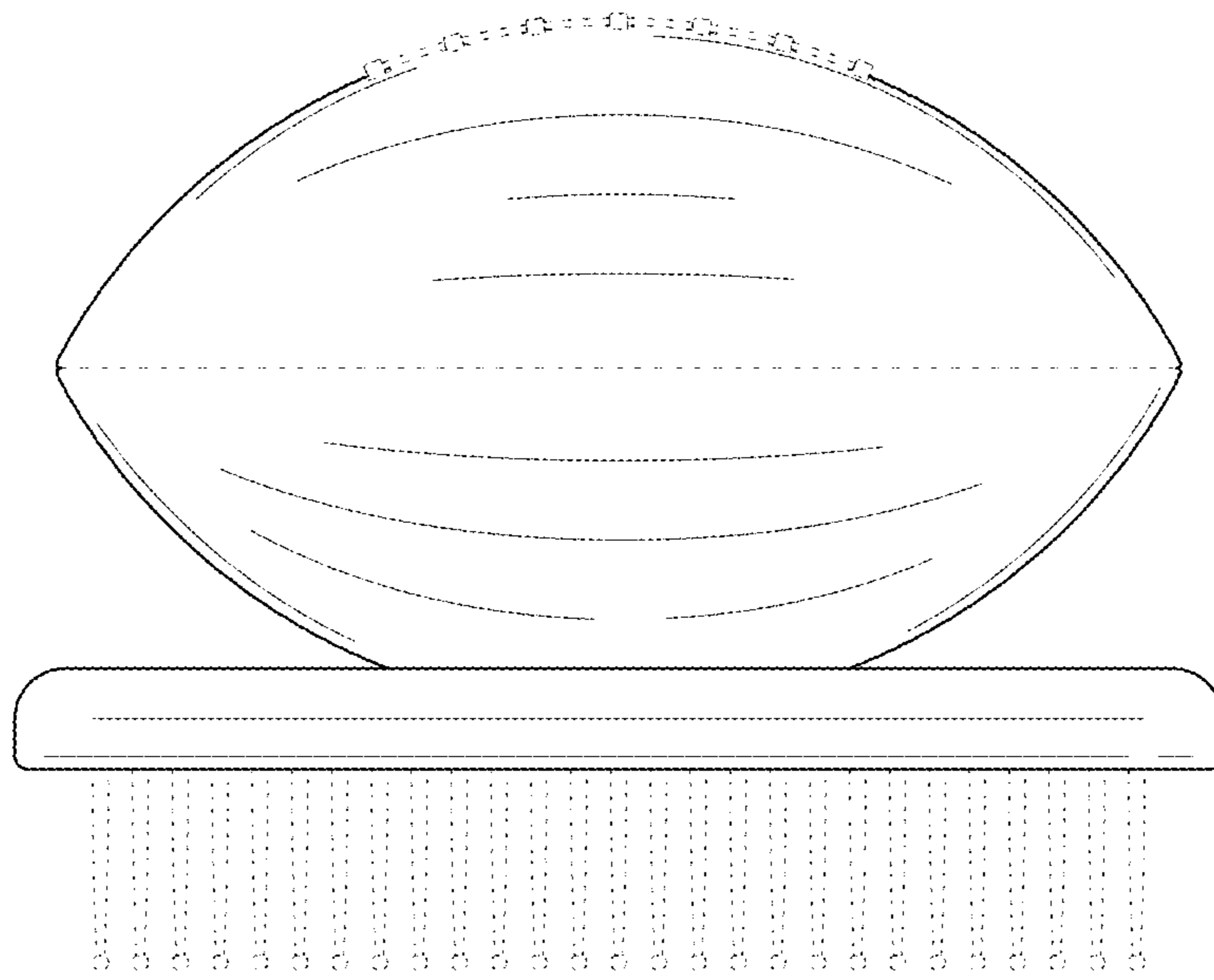


FIG. 3

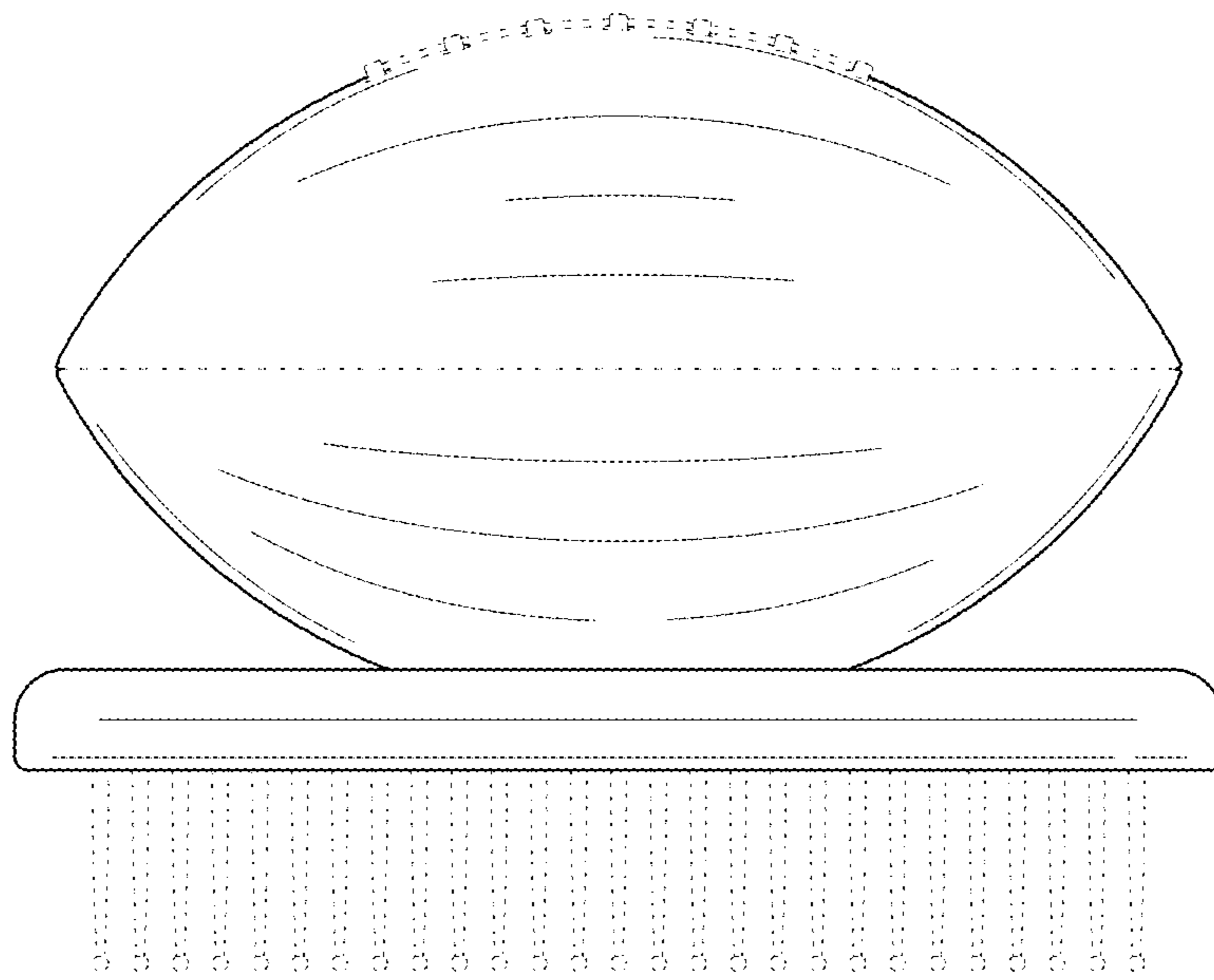


FIG. 4

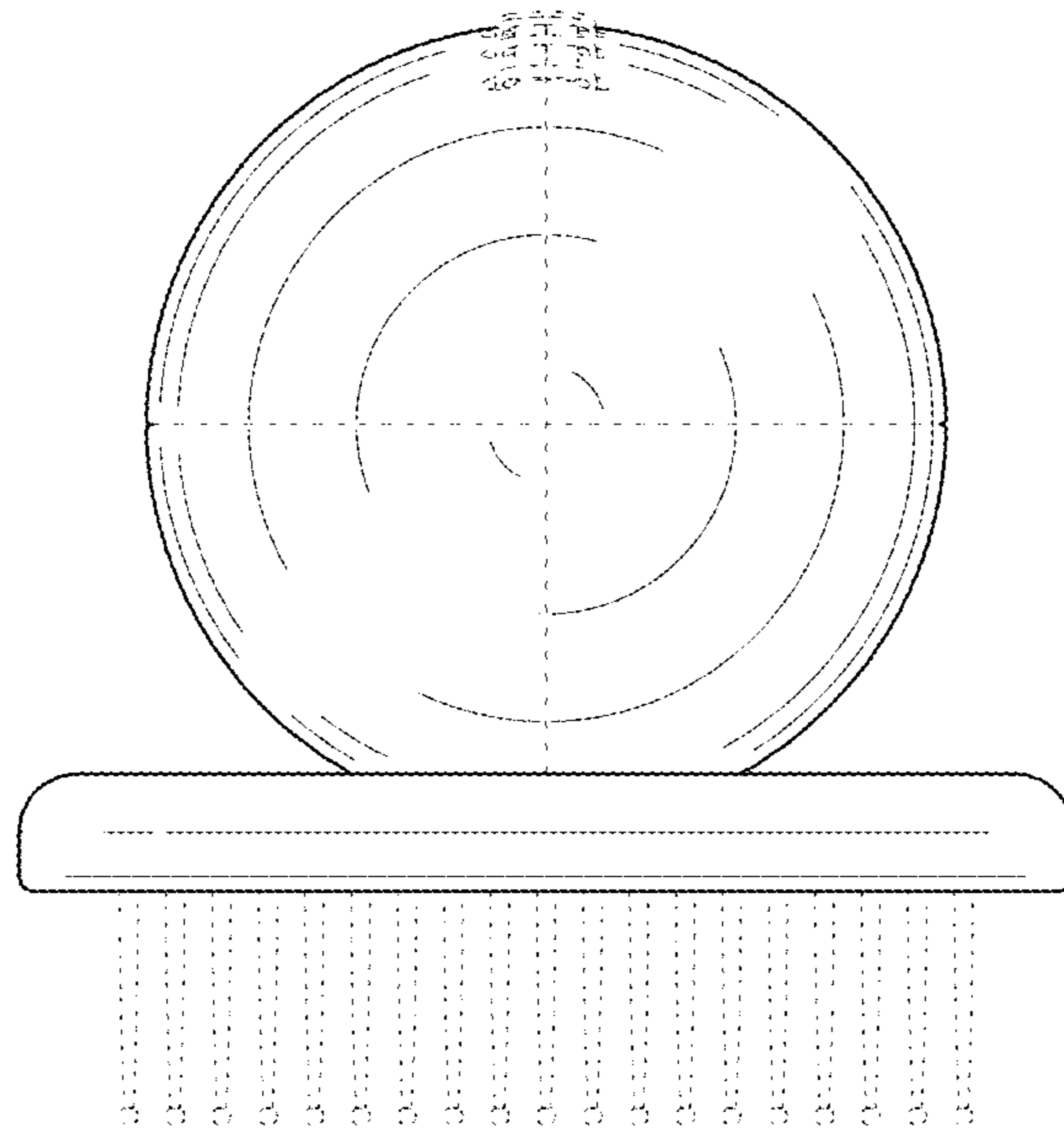


FIG. 5

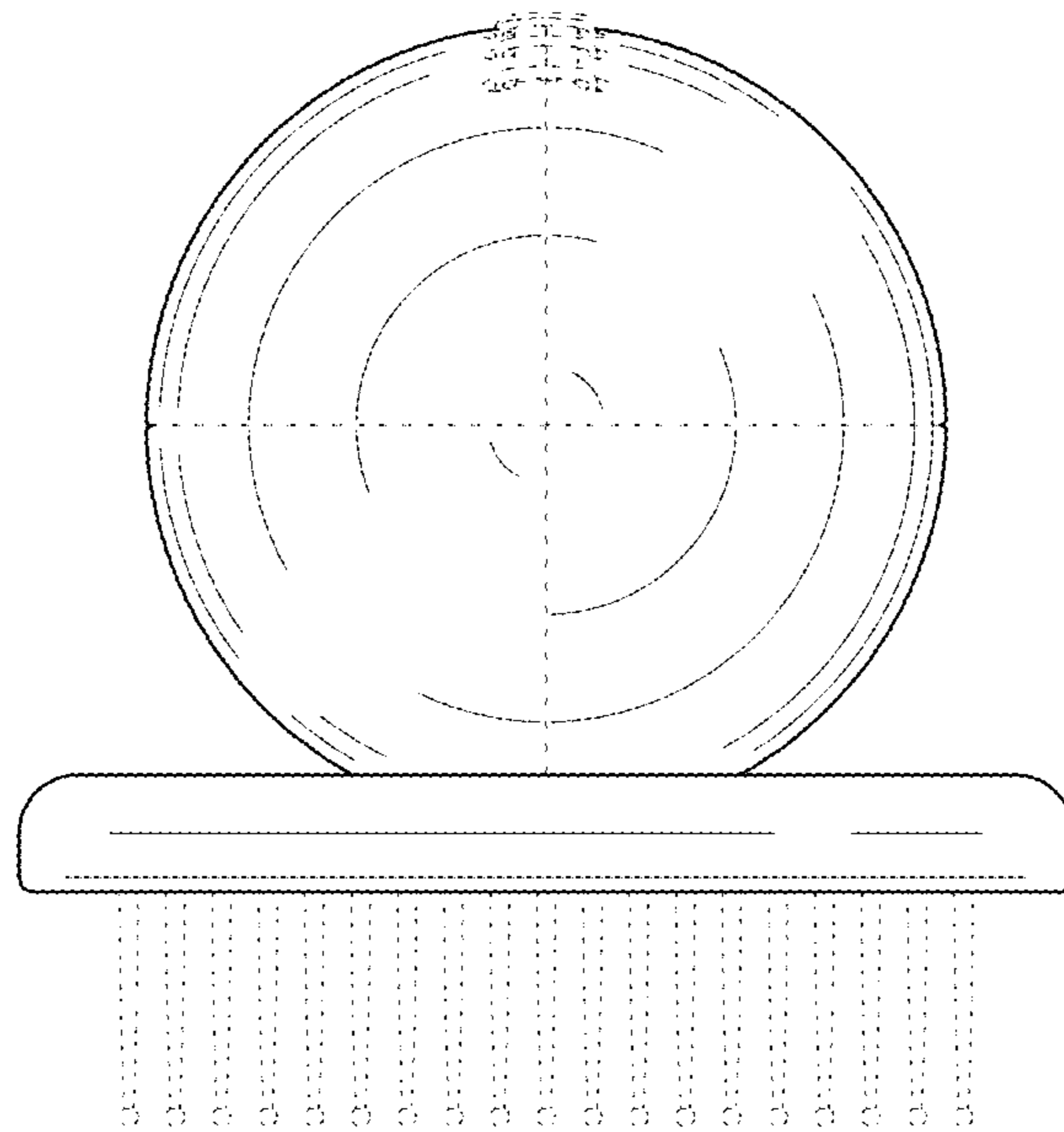


FIG. 6

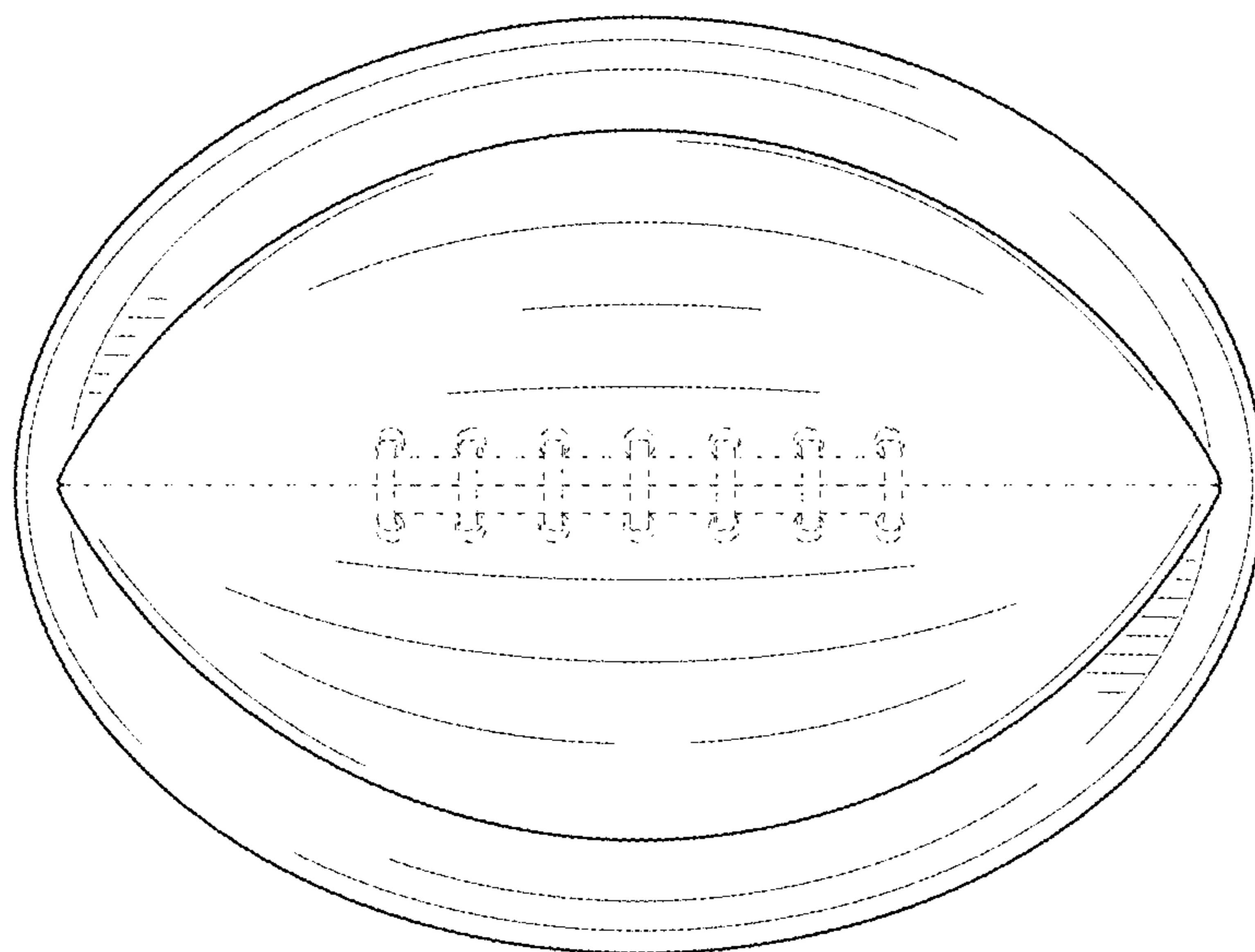


FIG. 7

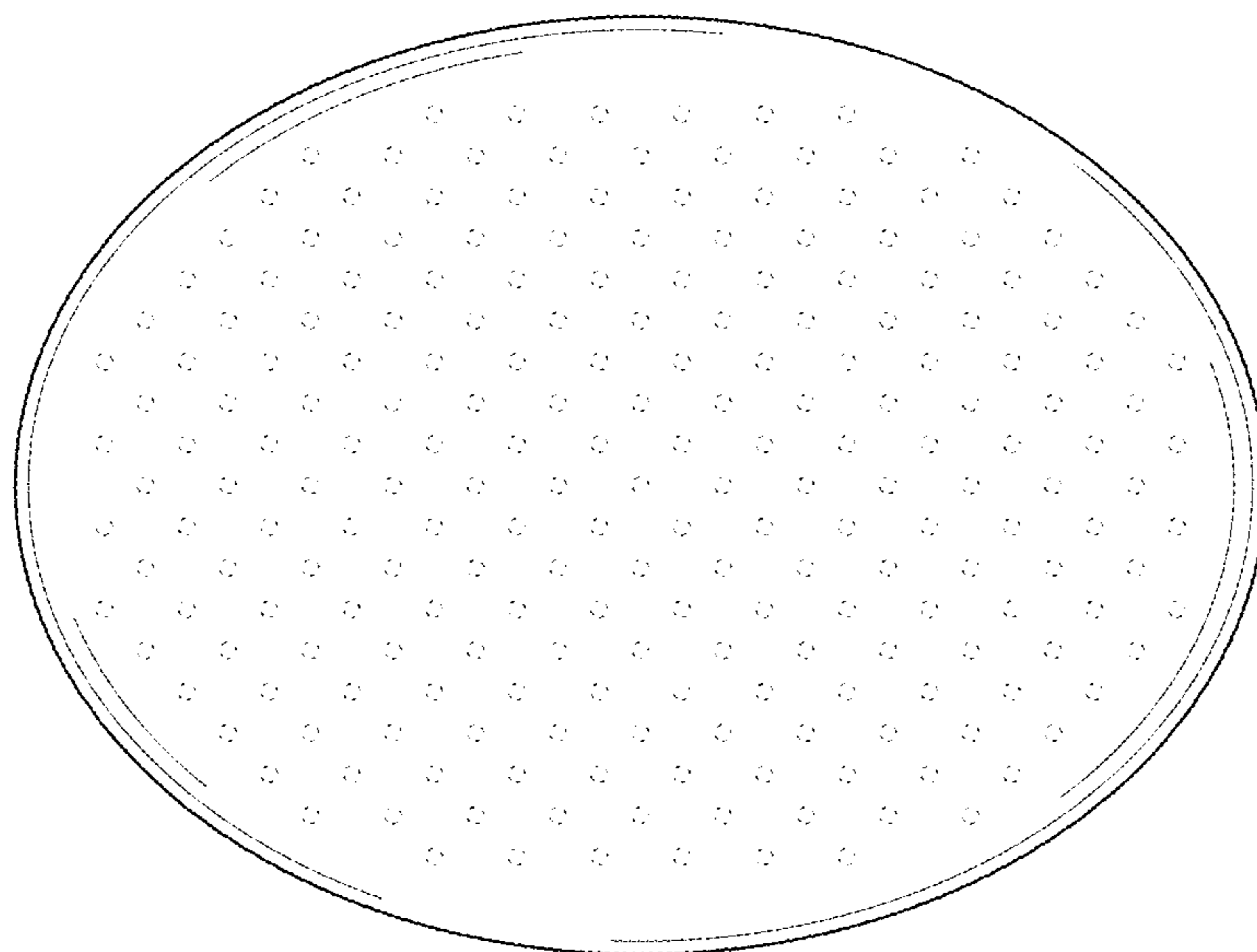


FIG. 8