



US00D979941S

(12) **United States Design Patent**
Heald et al.

(10) **Patent No.:** **US D979,941 S**
(45) **Date of Patent:** **** Mar. 7, 2023**

- (54) **MONOCLE CASE**
- (71) Applicant: **Brilliant Labs Limited**, Central Hong Kong (HK)
- (72) Inventors: **Benjamin Raymond Heald**, Northwich (GB); **Bobak Tavangar**, Washington, DC (US)
- (73) Assignee: **Brilliant Labs Limited**, Central Hong Kong (HK)
- (**) Term: **15 Years**
- (21) Appl. No.: **29/759,736**
- (22) Filed: **Nov. 24, 2020**
- (51) **LOC (14) Cl.** **03-01**
- (52) **U.S. Cl.**
USPC **D3/294**
- (58) **Field of Classification Search**
USPC D3/207, 208, 209, 210, 211, 212, 263, D3/271.6, 273, 294, 295, 299, 302, 303, D3/901, 903, 905
CPC ... A45C 11/24; A45C 11/38; A45C 2011/001; A45C 13/02; A01K 97/06; A61J 1/03
See application file for complete search history.

(56) **References Cited**

U.S. PATENT DOCUMENTS

D167,777 S *	9/1952	Spender	D9/420
2,625,292 A *	1/1953	Spender	A45D 34/02 206/823
D214,019 S *	5/1969	Newman	D9/521
D280,667 S *	9/1985	Bennett	D28/7
D285,052 S *	8/1986	Bianchi	D9/521
4,936,479 A *	6/1990	Levy	A47G 21/001 426/115
D324,997 S *	3/1992	Jones	D28/91.1
D360,528 S *	7/1995	Caligiuri	D3/303
D505,865 S *	6/2005	Seizer	D9/688

D510,461 S *	10/2005	Vu	A45D 34/02 D28/66
9,032,974 B2 *	5/2015	Lee	A46B 9/021 132/313
D775,960 S *	1/2017	Erdwiens	A47G 21/001 D9/734
D806,858 S *	1/2018	Lu	D24/110

* cited by examiner

Primary Examiner — Kevin K Rudzinski
Assistant Examiner — Amber J Rabie
(74) *Attorney, Agent, or Firm* — Cognition IP, P.C.; Edward Steakley

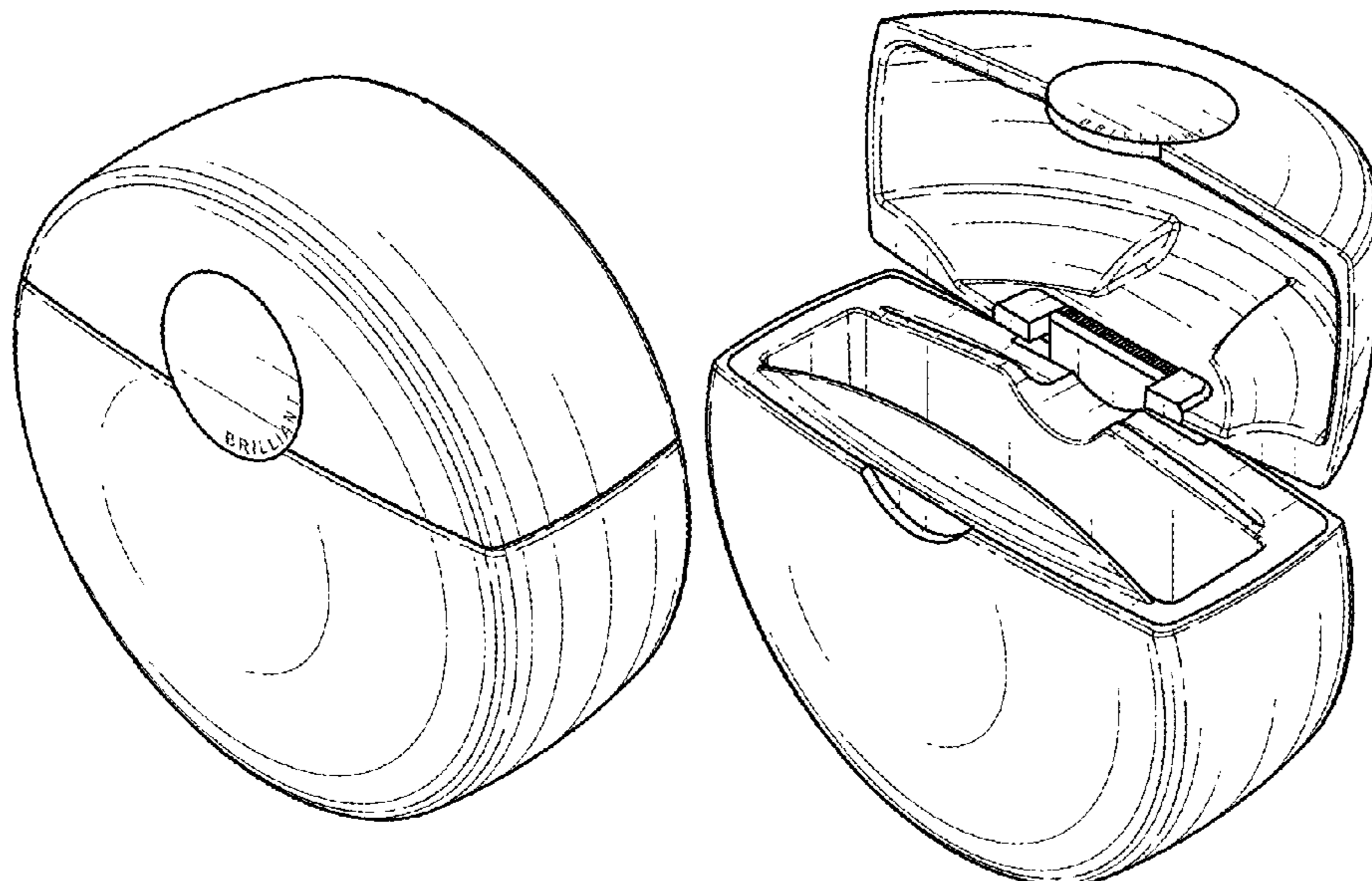
(57) **CLAIM**

The ornamental design for a monocle case, as shown and described herein.

DESCRIPTION

FIG. 1 is a front perspective view of a monocle case in a closed position showing our new design;
 FIG. 2 is a front perspective view of the monocle case opened;
 FIG. 3 is a rear perspective view of the monocle case closed;
 FIG. 4 is a rear perspective view of the monocle case opened;
 FIG. 5 is a top view of the monocle case closed;
 FIG. 6 is a top view of the monocle case opened;
 FIG. 7 is a bottom view of the monocle case closed;
 FIG. 8 is a bottom view of the monocle case opened;
 FIG. 9 is a side view of the monocle case closed;
 FIG. 10 is a side view of the monocle case opened;
 FIG. 11 is a side view of the monocle case closed;
 FIG. 12 is a side view of the monocle case opened;
 FIG. 13 is a front view of the monocle case closed;
 FIG. 14 is a front view of the monocle case opened;
 FIG. 15 is a rear view of the monocle case closed; and,
 FIG. 16 is a rear view of the monocle case opened.

1 Claim, 4 Drawing Sheets



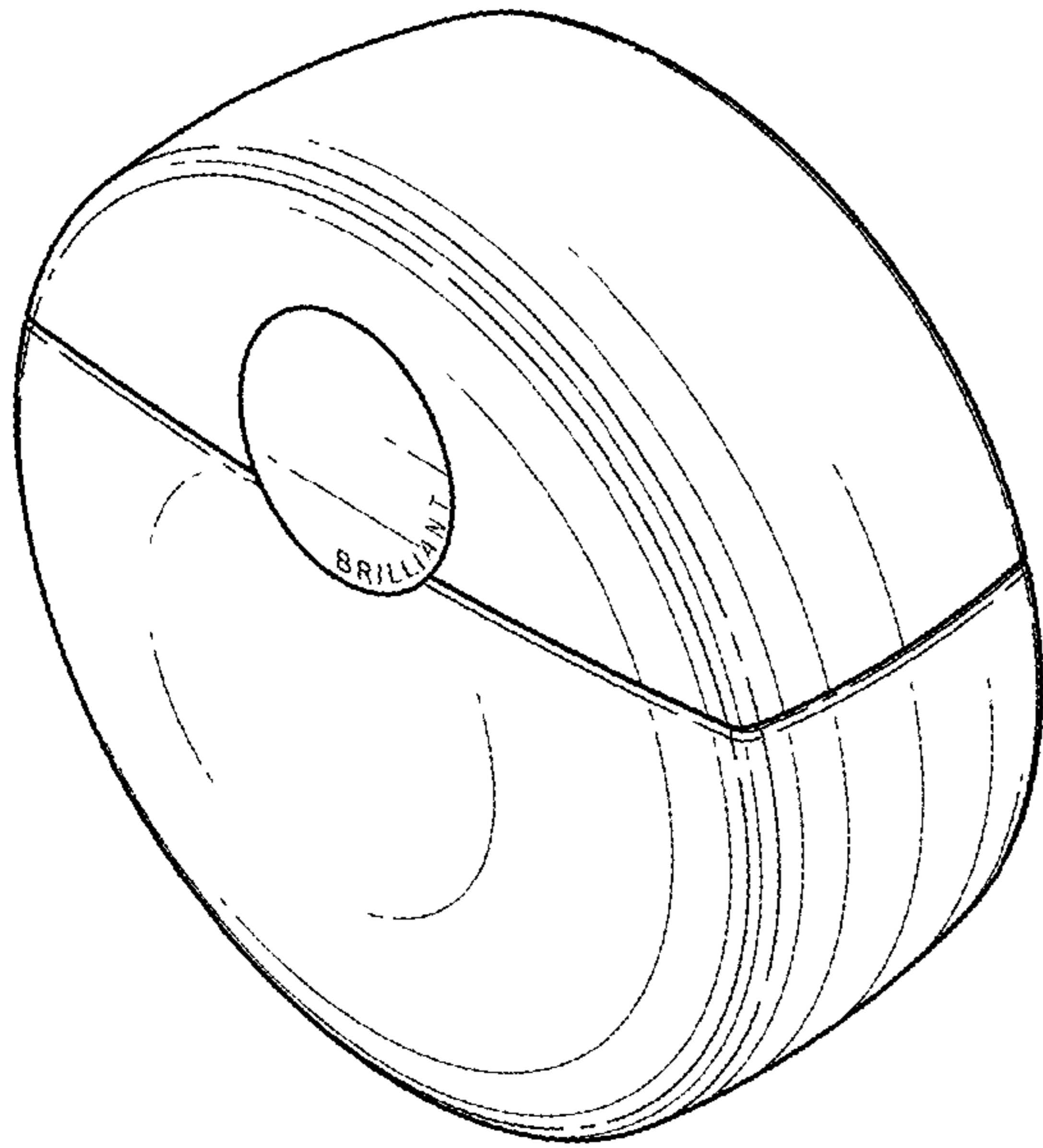


FIG. 1

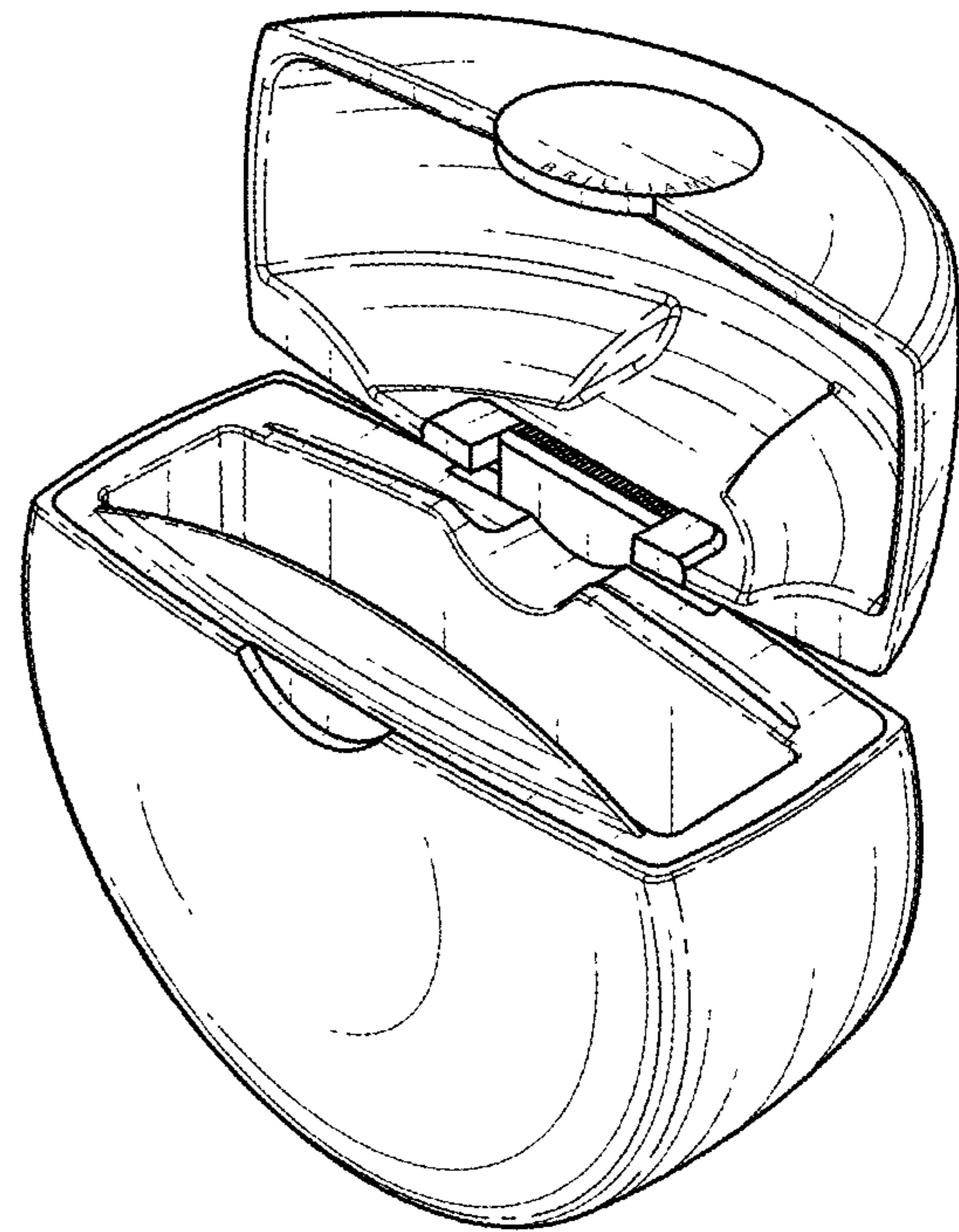


FIG. 2

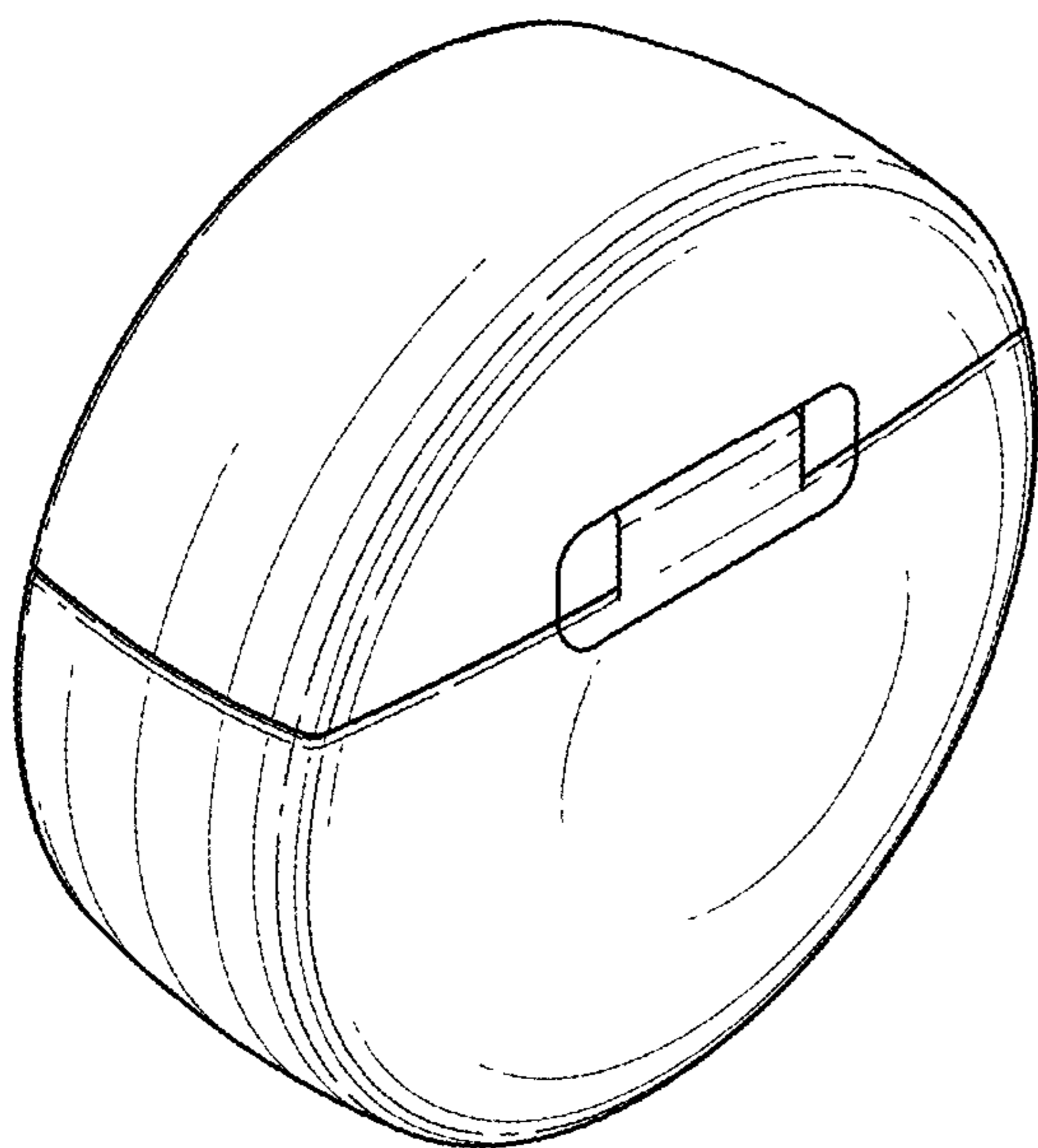


FIG. 3

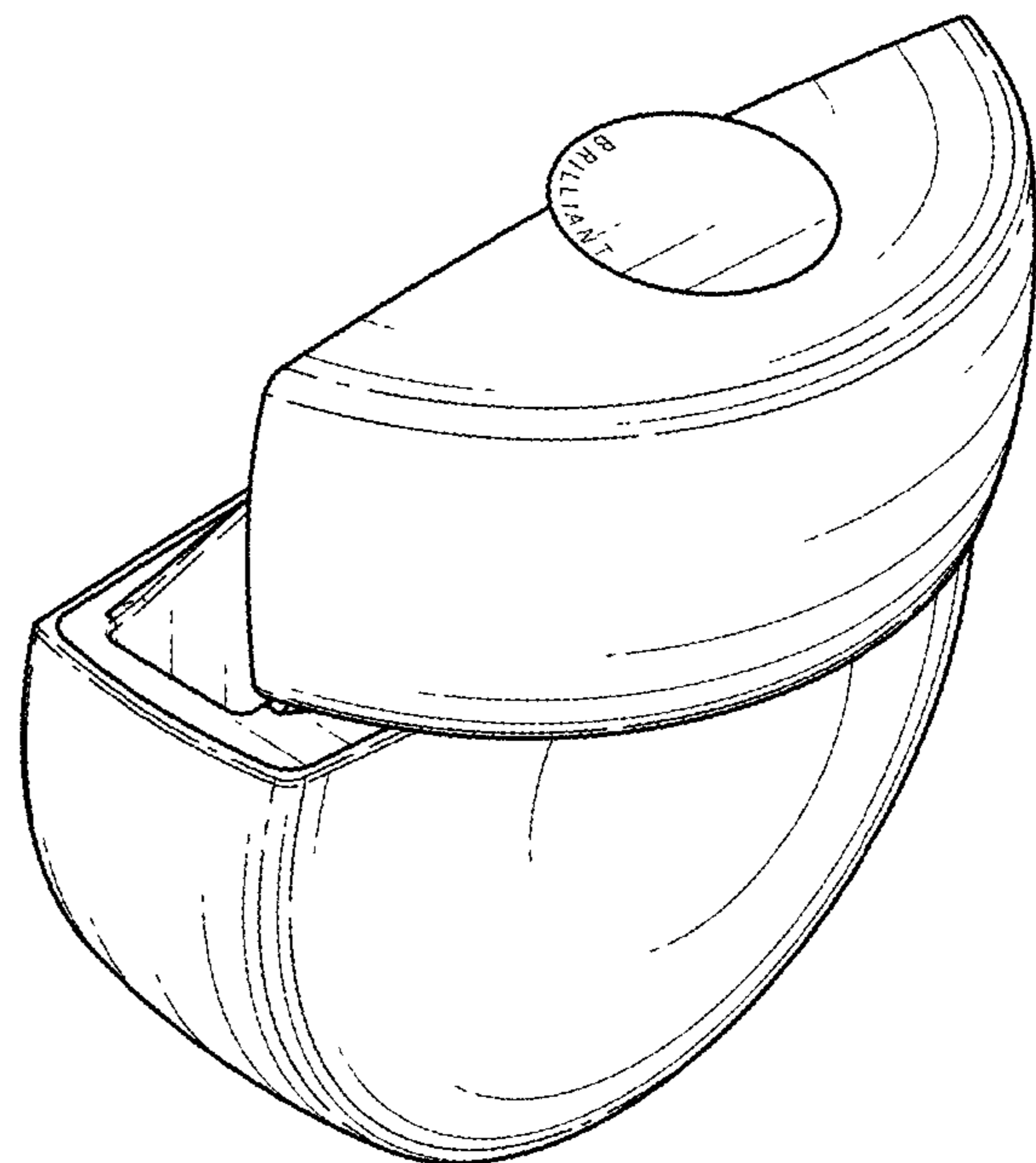


FIG. 4



FIG. 5

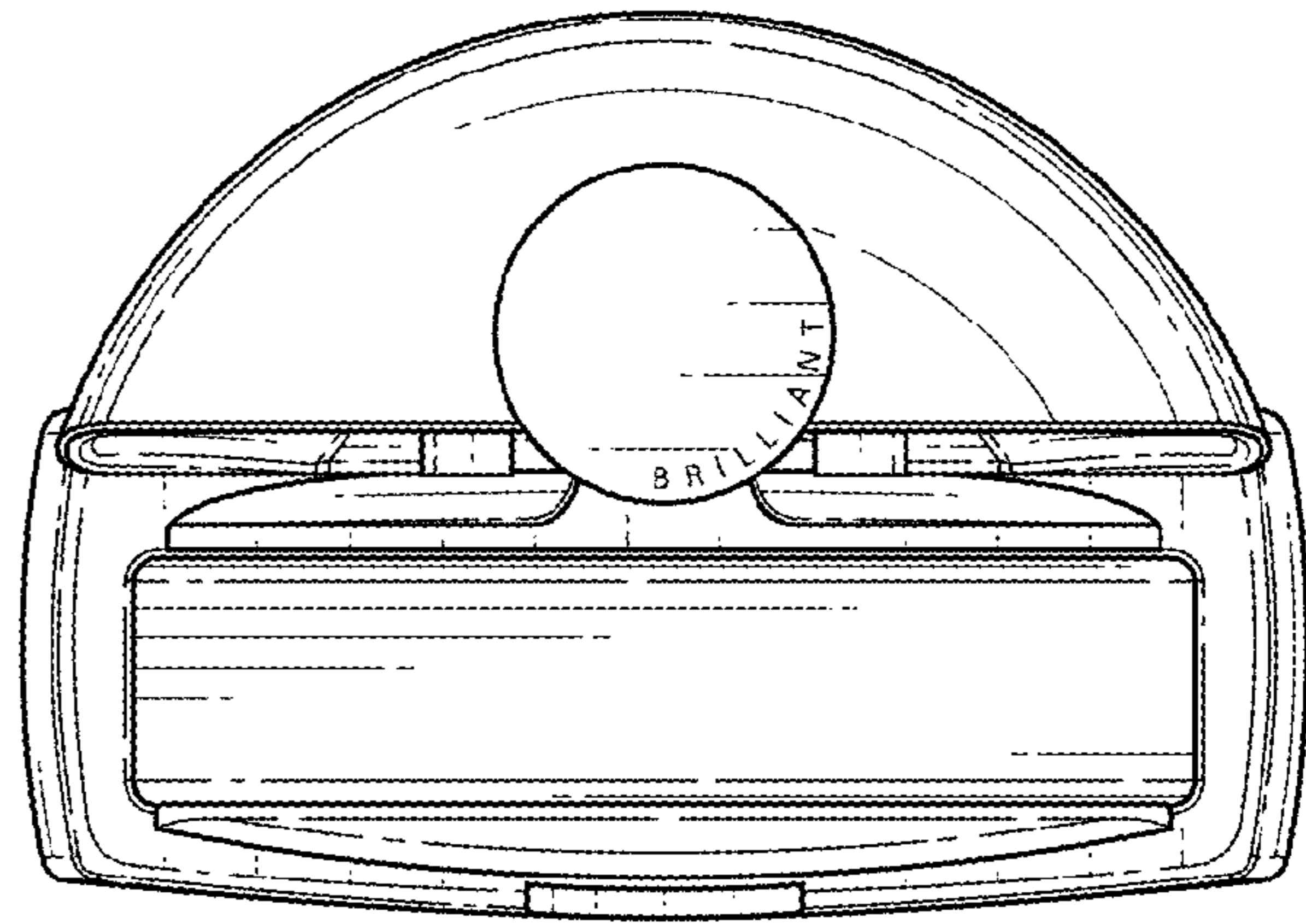


FIG. 6

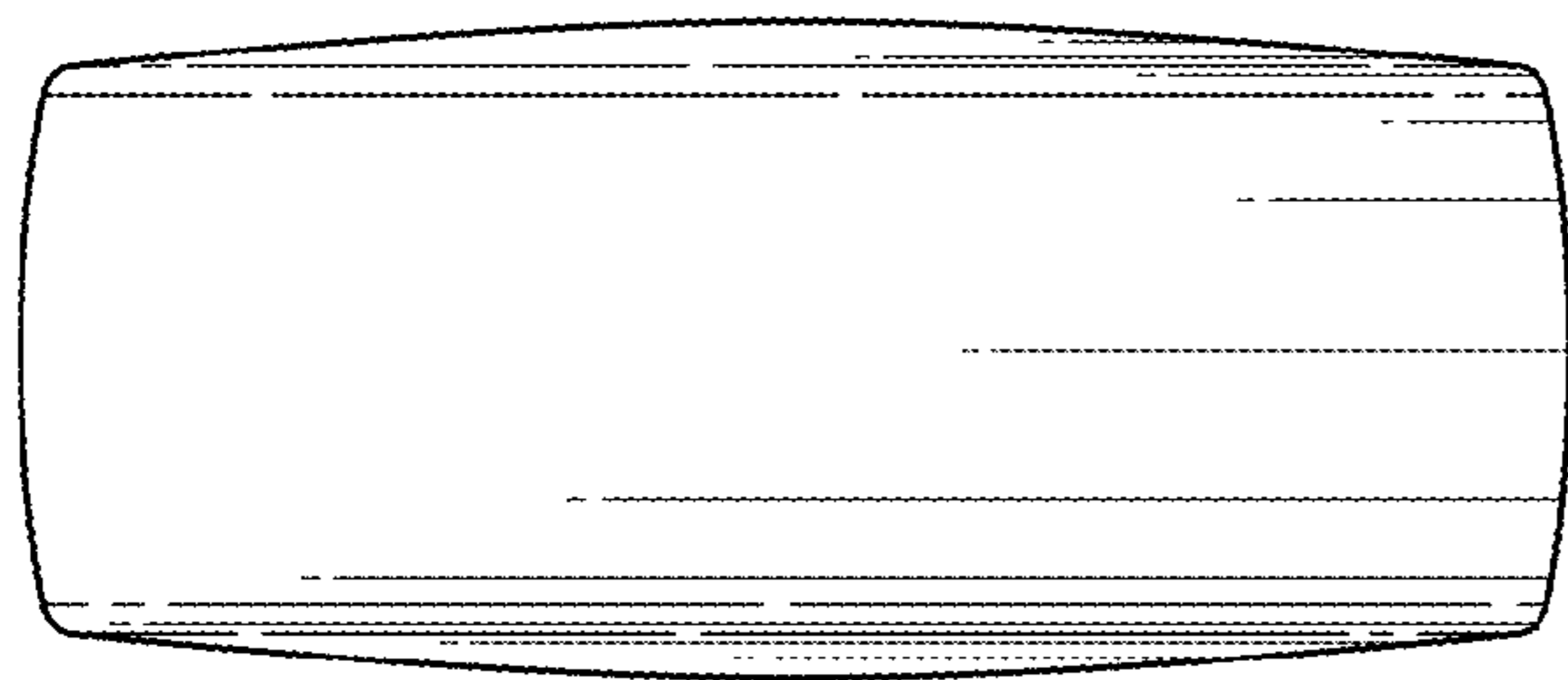


FIG. 7

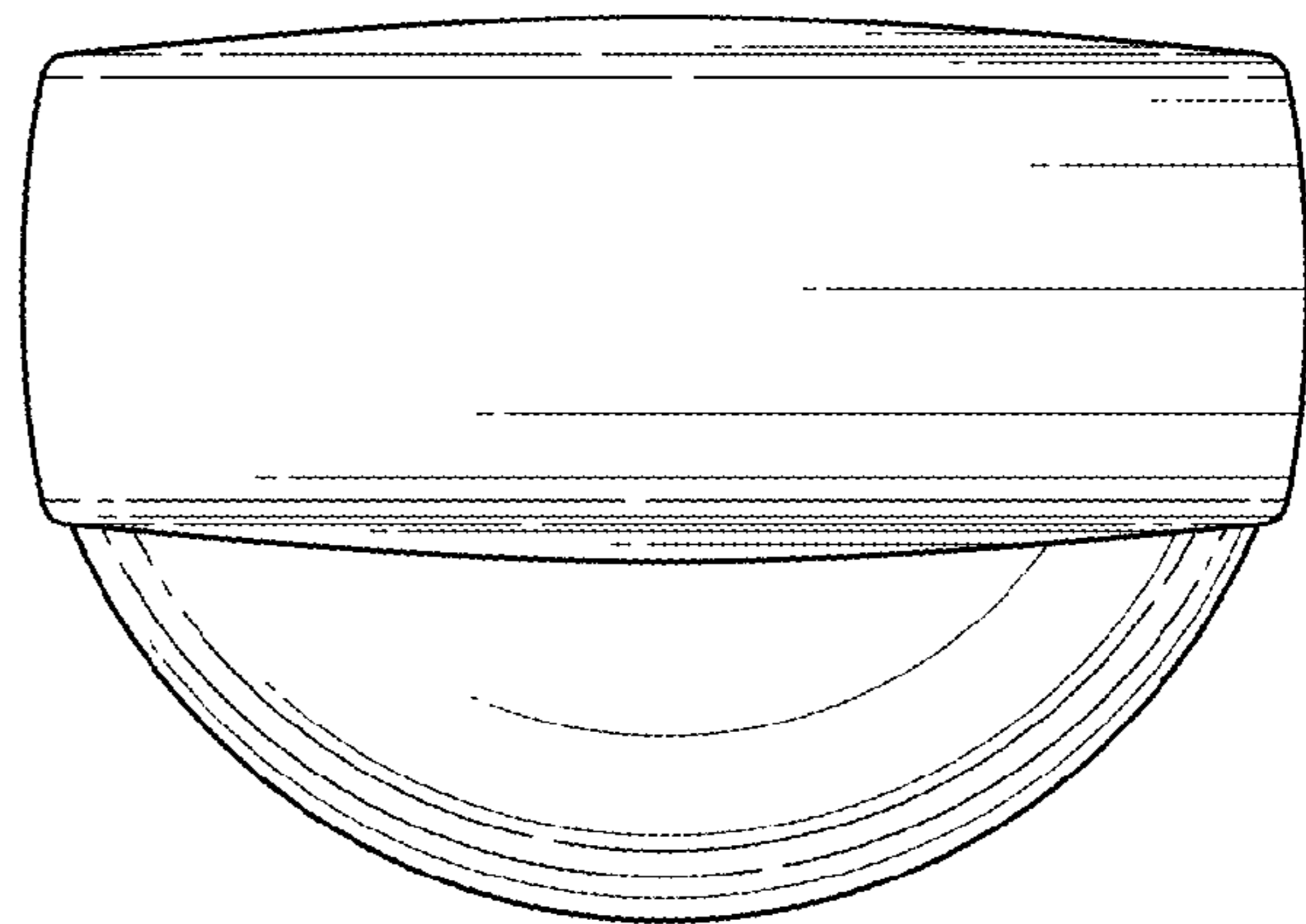


FIG. 8

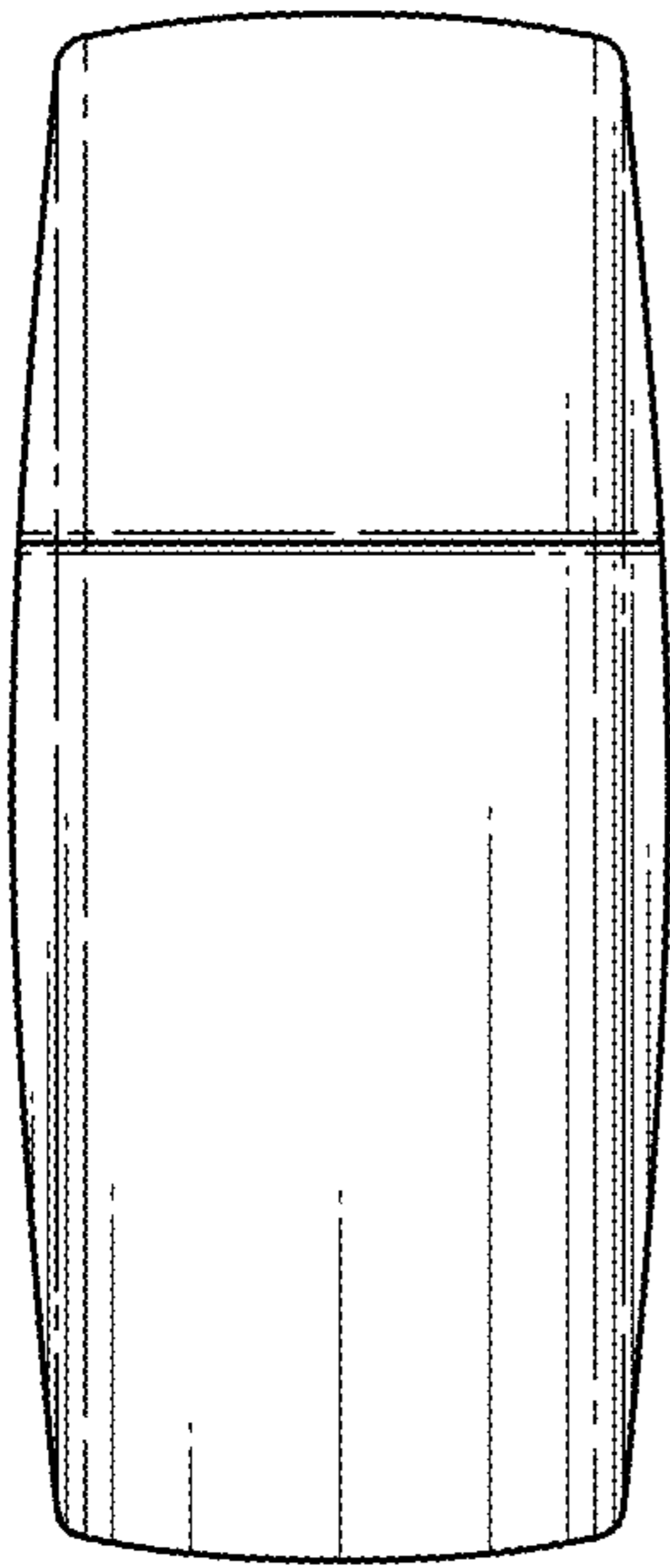


FIG. 9

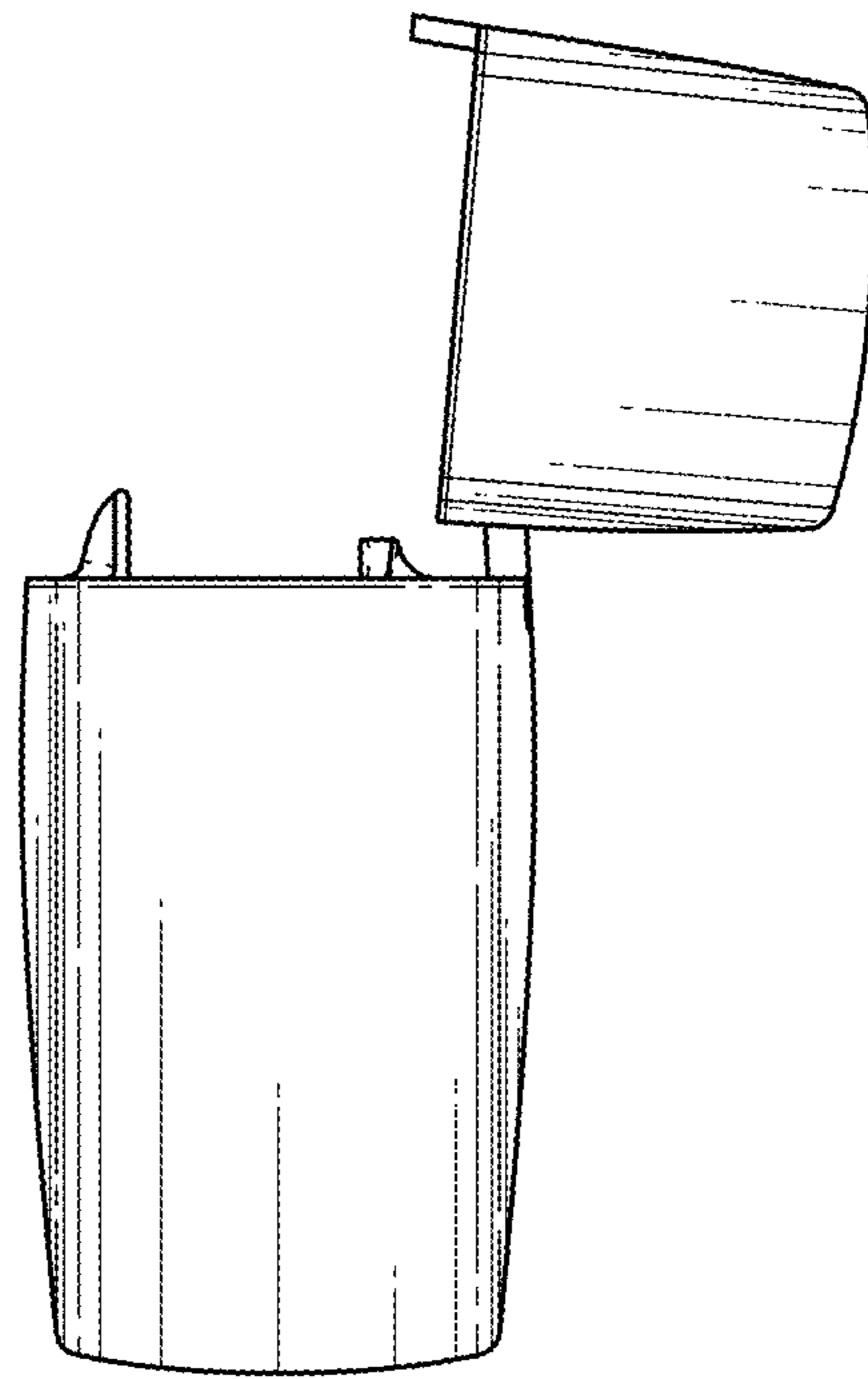


FIG. 10

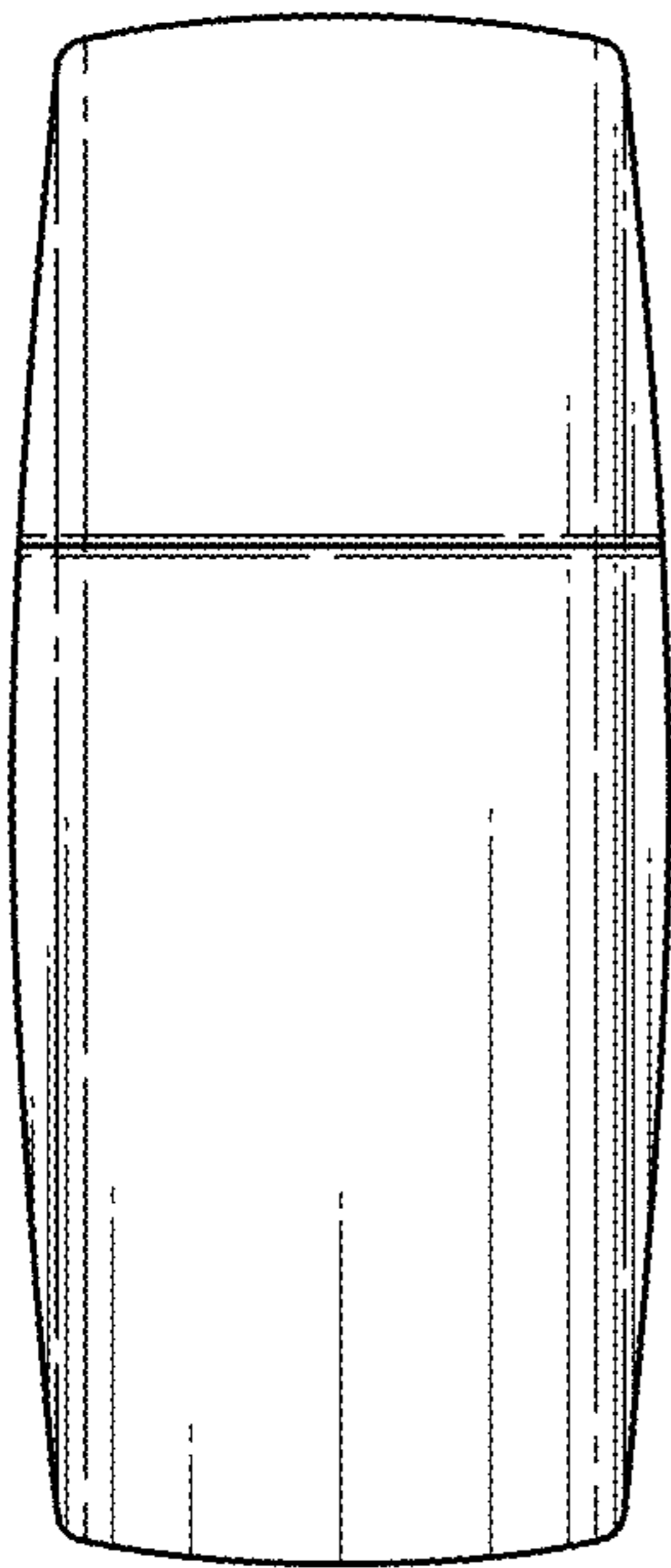


FIG. 11

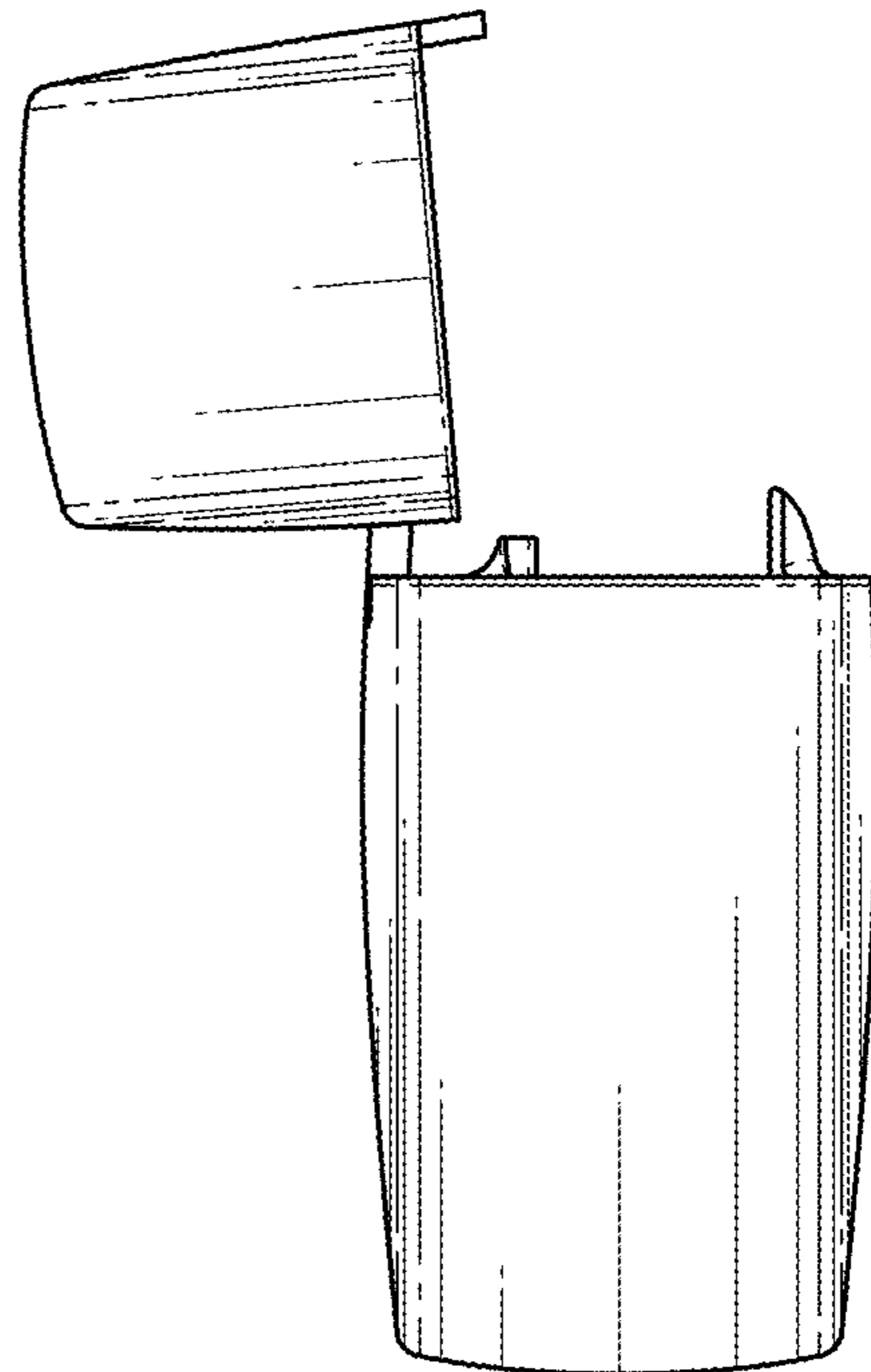


FIG. 12

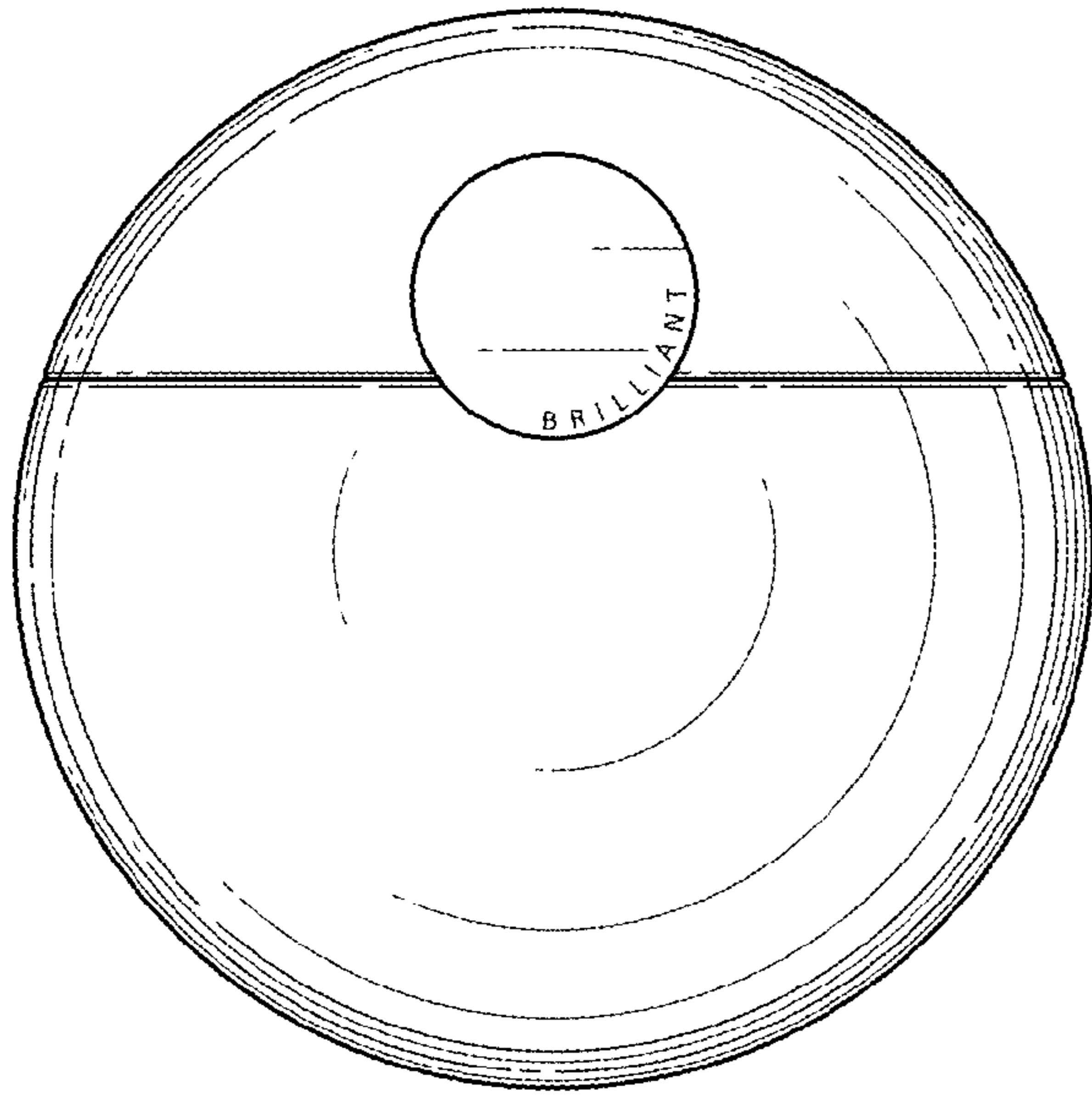


FIG. 13

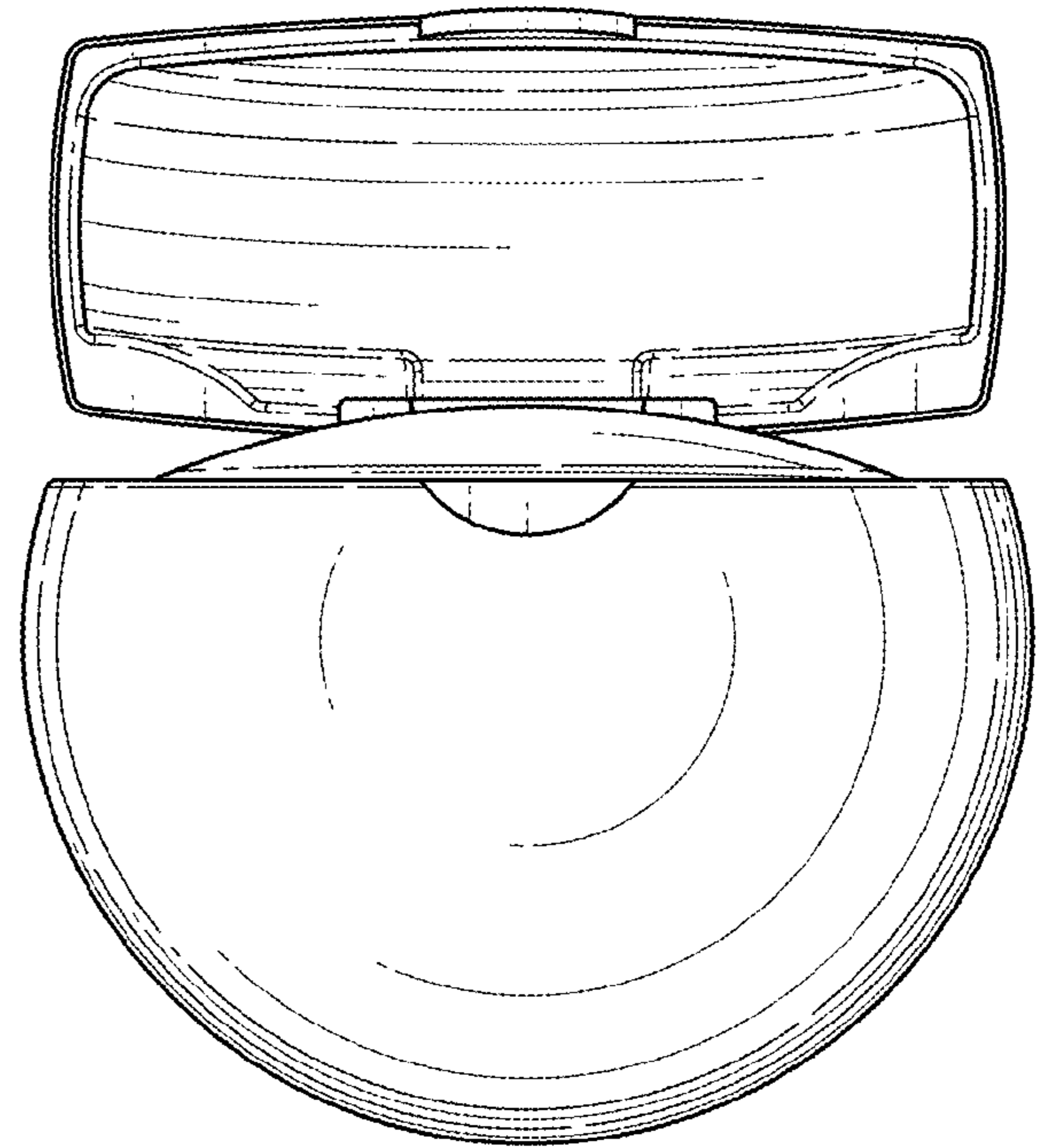


FIG. 14

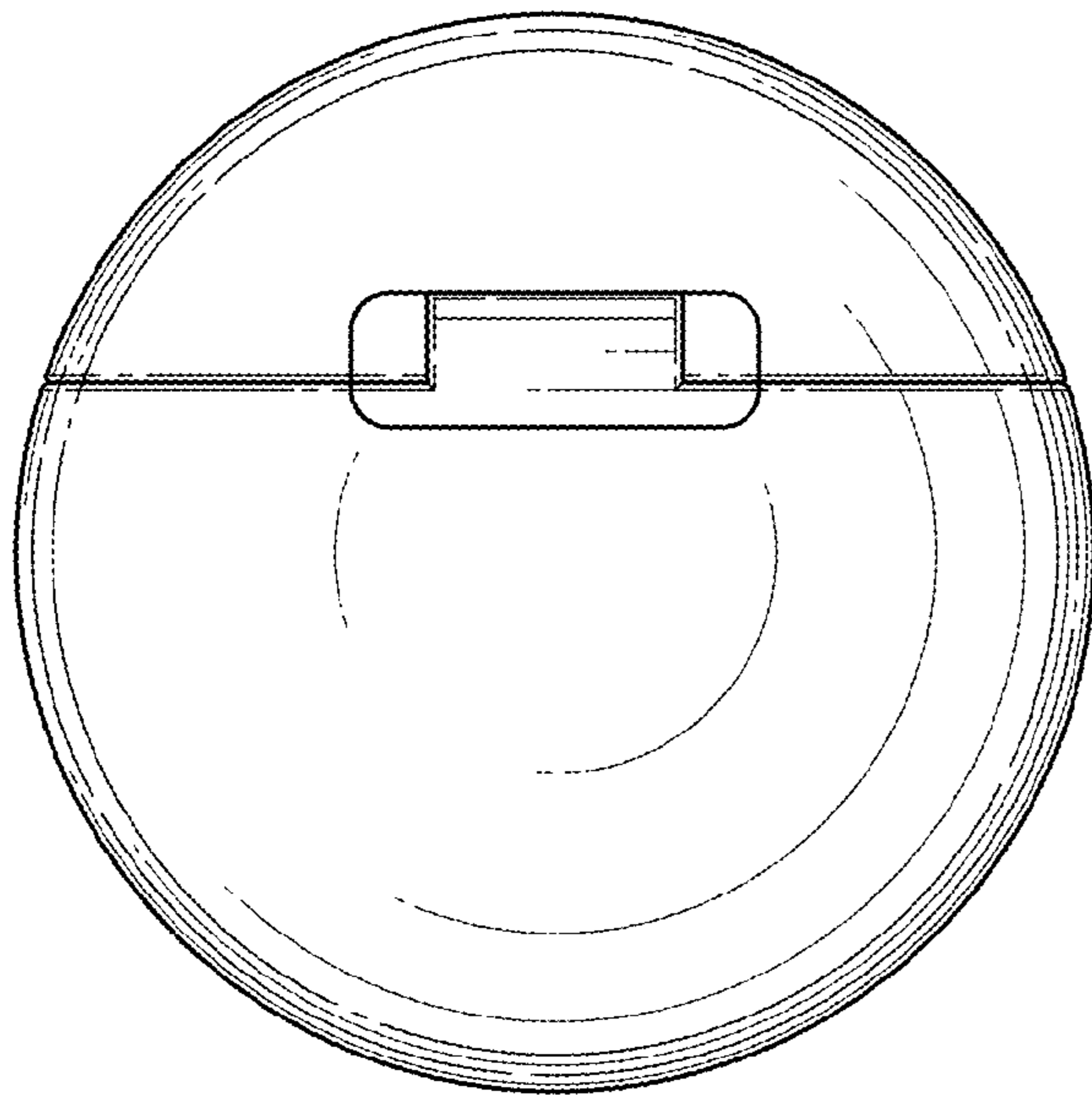


FIG. 15

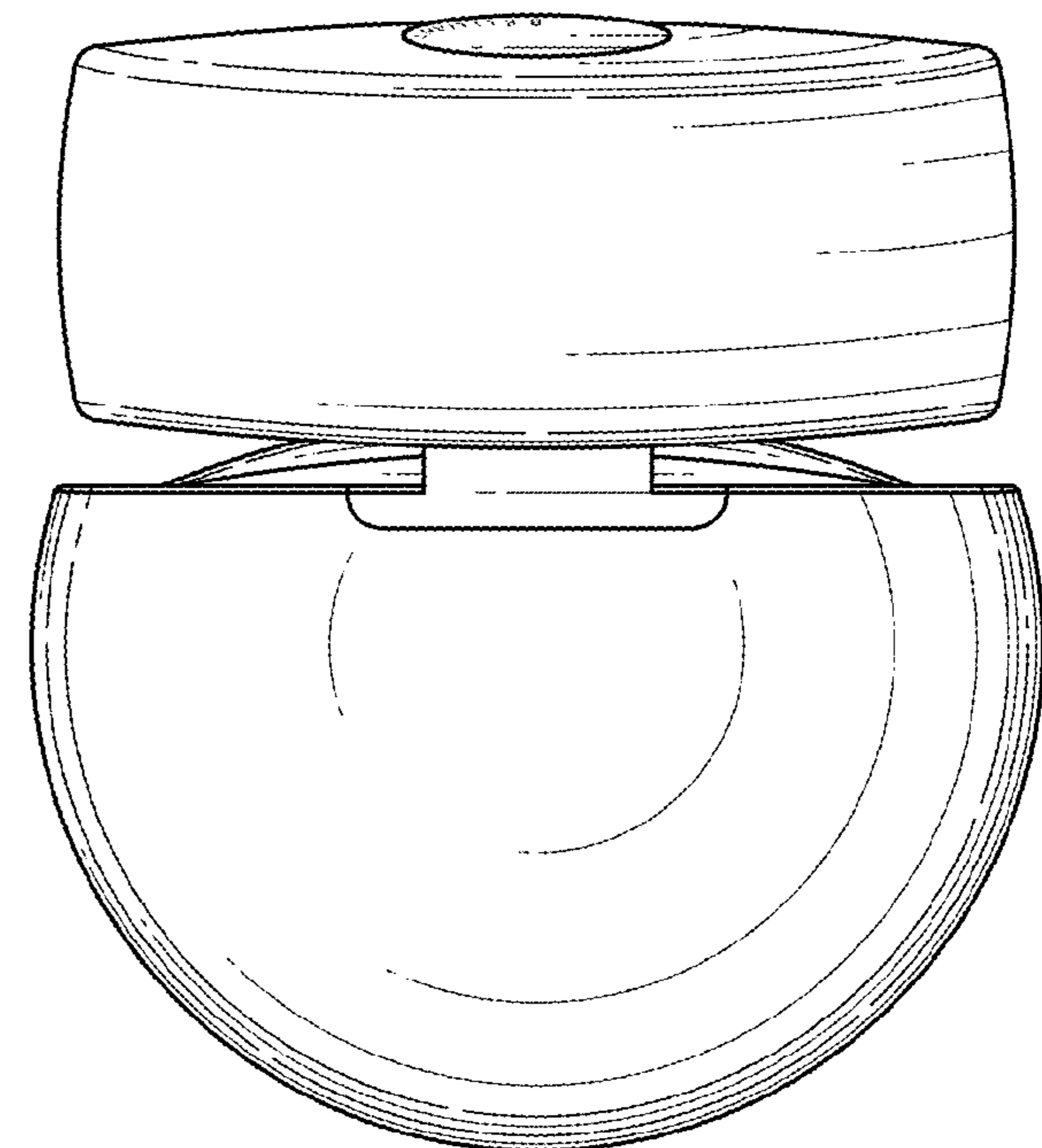


FIG. 16