



US00D979937S

(12) **United States Design Patent**
Bourgeois et al.

(10) **Patent No.:** **US D979,937 S**
(45) **Date of Patent:** **** Mar. 7, 2023**

(54) **CONTAINER FOR AN INDUSTRIAL PROCESS**

D771,835 S * 11/2016 Bottin D25/33
D823,798 S * 7/2018 Gleave D13/110
D875,206 S * 2/2020 Gourgel D3/272
D903,317 S * 12/2020 Kyte D3/272
11,104,239 B1 * 8/2021 Vollmer B60L 53/30

(71) Applicant: **XEBEC ADSORPTION INC.**,
Blainville (CA)

(72) Inventors: **Luc Bourgeois**, Terrebonne (CA);
John-Marc Brunet, Sainte-Therese (CA)

(73) Assignee: **XEBEC ADSORPTION INC.**,
Blainville (CA)

(**) Term: **15 Years**

(21) Appl. No.: **29/752,998**

(22) Filed: **Sep. 29, 2020**

(51) **LOC (14) Cl.** **03-01**

(52) **U.S. Cl.**
USPC **D3/272**

(58) **Field of Classification Search**
USPC D3/272; D12/413; D23/202; D25/33;
D13/199
CPC B65D 88/128; B65D 88/12; B65D 88/30;
B65D 19/38; B62D 25/00; B62D 6/00;
A47G 29/12; B60L 53/30; H01L
21/67359; C12M 1/36
See application file for complete search history.

(56) **References Cited**

U.S. PATENT DOCUMENTS

D426,382 S * 6/2000 Martineau D3/272
D771,272 S * 11/2016 Hart D25/1

OTHER PUBLICATIONS

Youtube, "Xebec BGX Biostream Installation_EN", Published Jan. 21, 2021. (<https://www.youtube.com/watch?v=-XMGZPVGGA>) (Year: 2021).*

* cited by examiner

Primary Examiner — April Rivas

(74) *Attorney, Agent, or Firm* — BCF LLP

(57) **CLAIM**

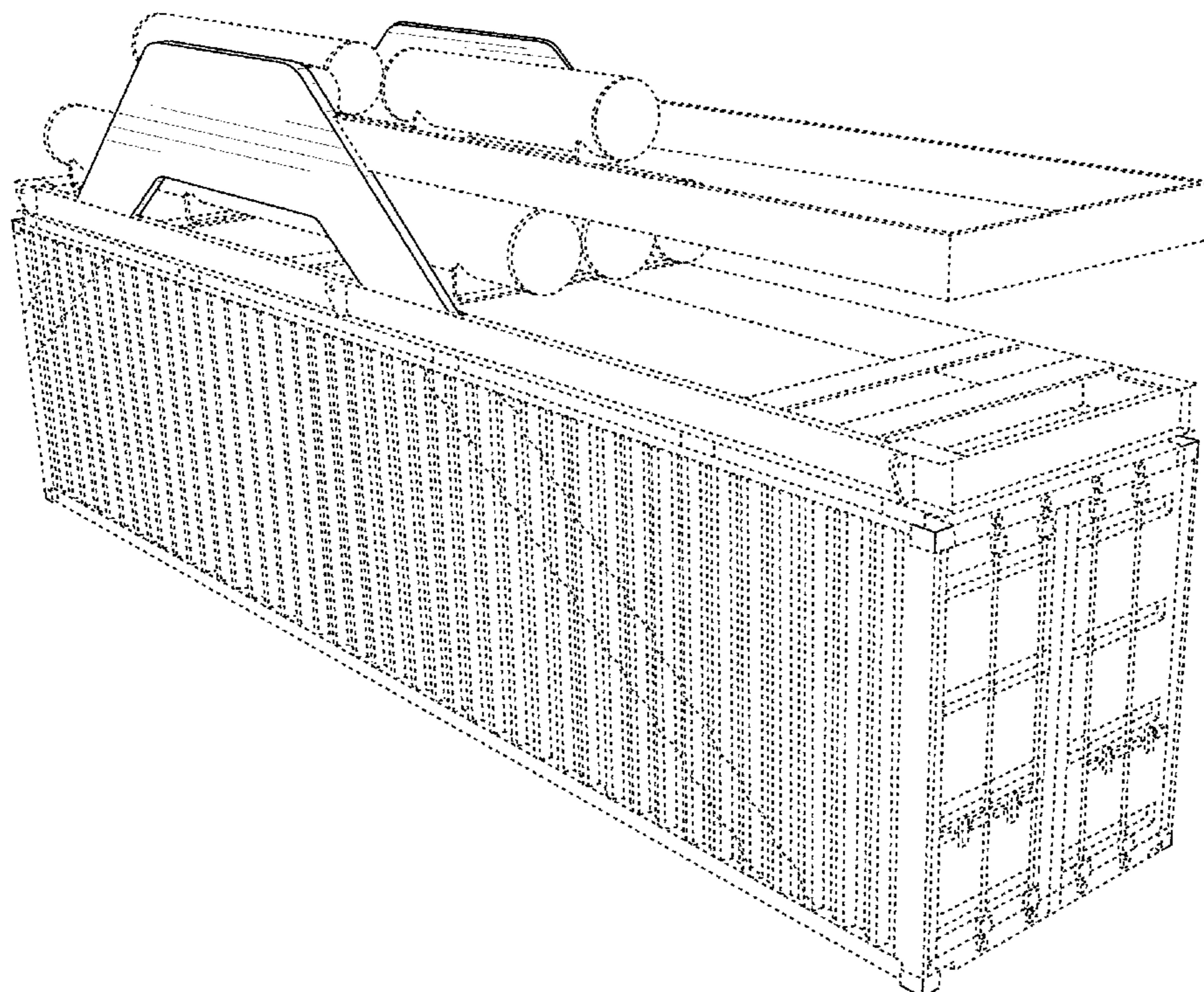
The ornamental design for a container for an industrial process, as shown and described.

DESCRIPTION

FIG. 1 is a perspective view taken from a front, left side of a container for an industrial process according to a second embodiment of my design;
FIG. 2 is a left side elevation view thereof;
FIG. 3 is a right side elevation view thereof;
FIG. 4 is an end view of a rear elevation view thereof;
FIG. 5 is an end view of a front elevation view thereof; and,
FIG. 6 is a top plan view thereof.

Throughout the Figures, where shown, the broken lines are included for the purpose of illustrating portions of the container for an industrial process which form no part of the claimed design.

1 Claim, 6 Drawing Sheets



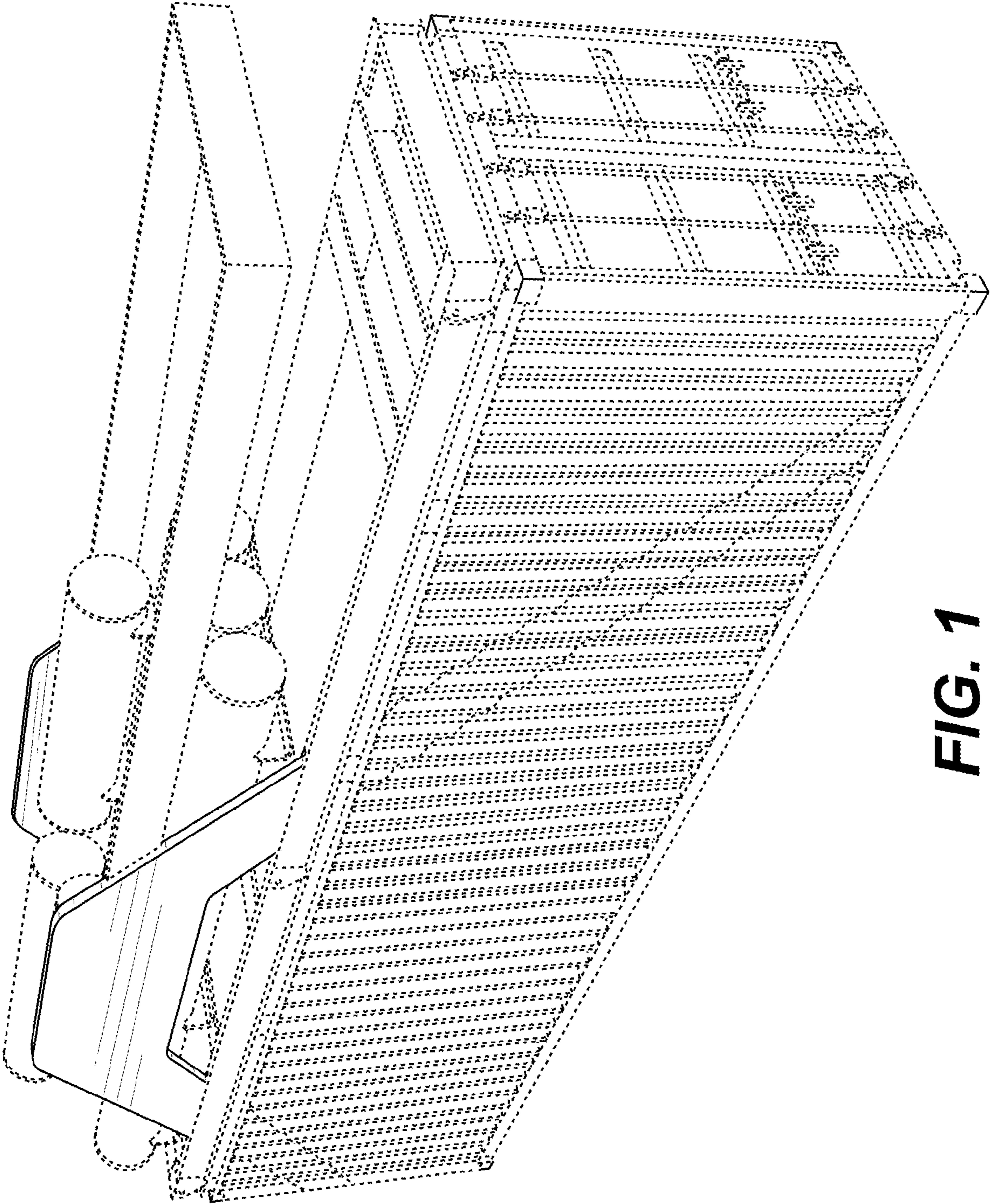


FIG. 1

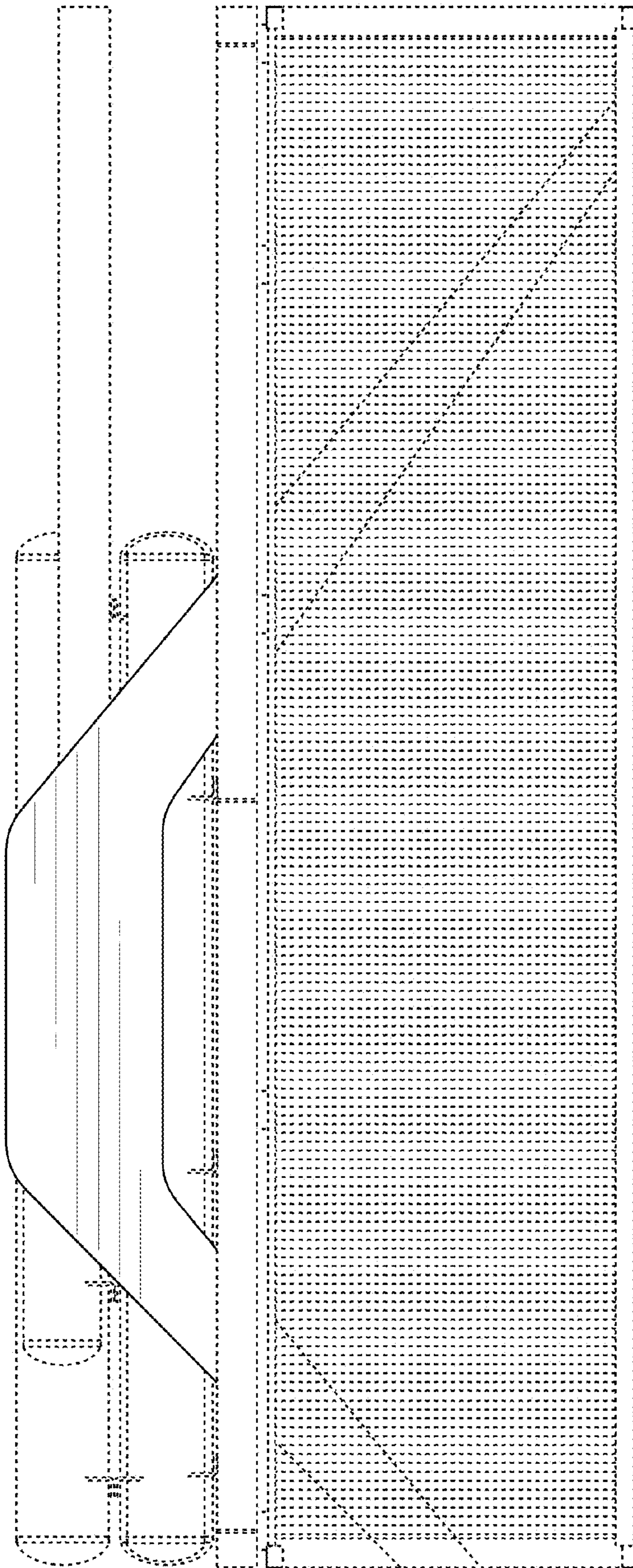


FIG. 2

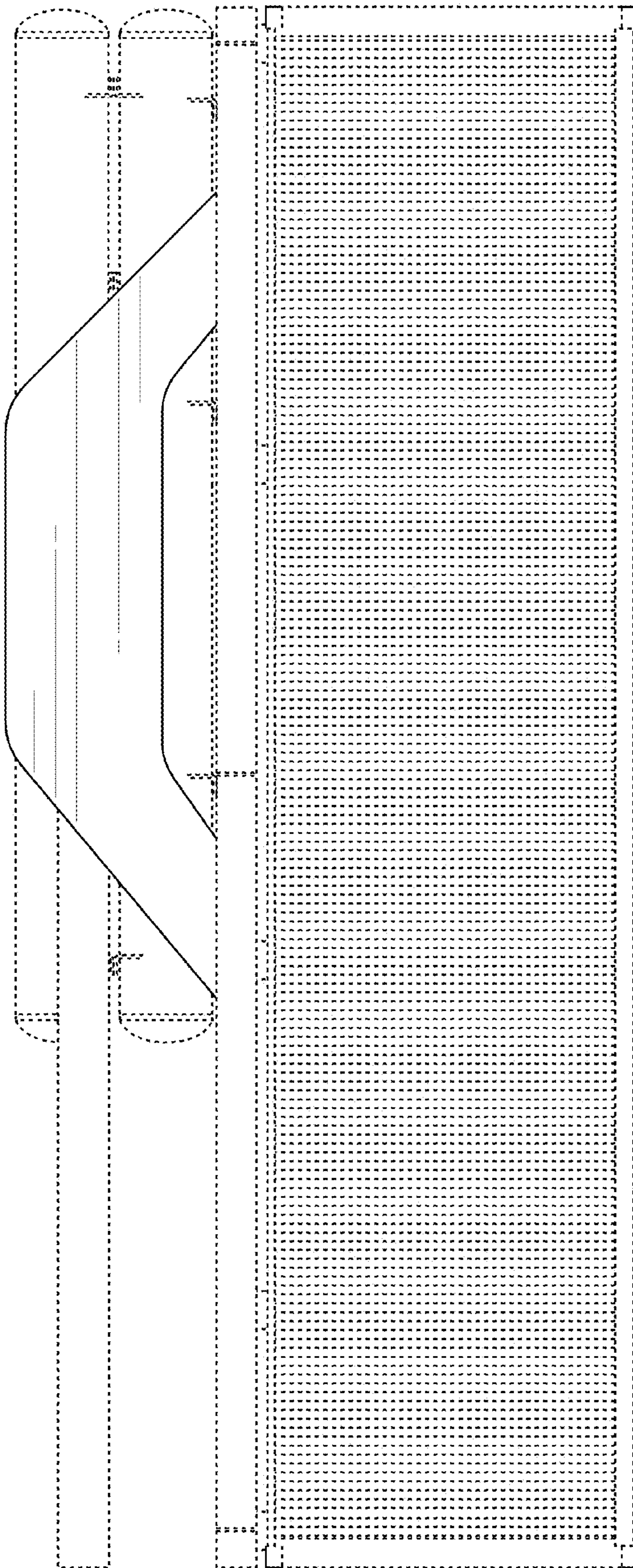


FIG. 3

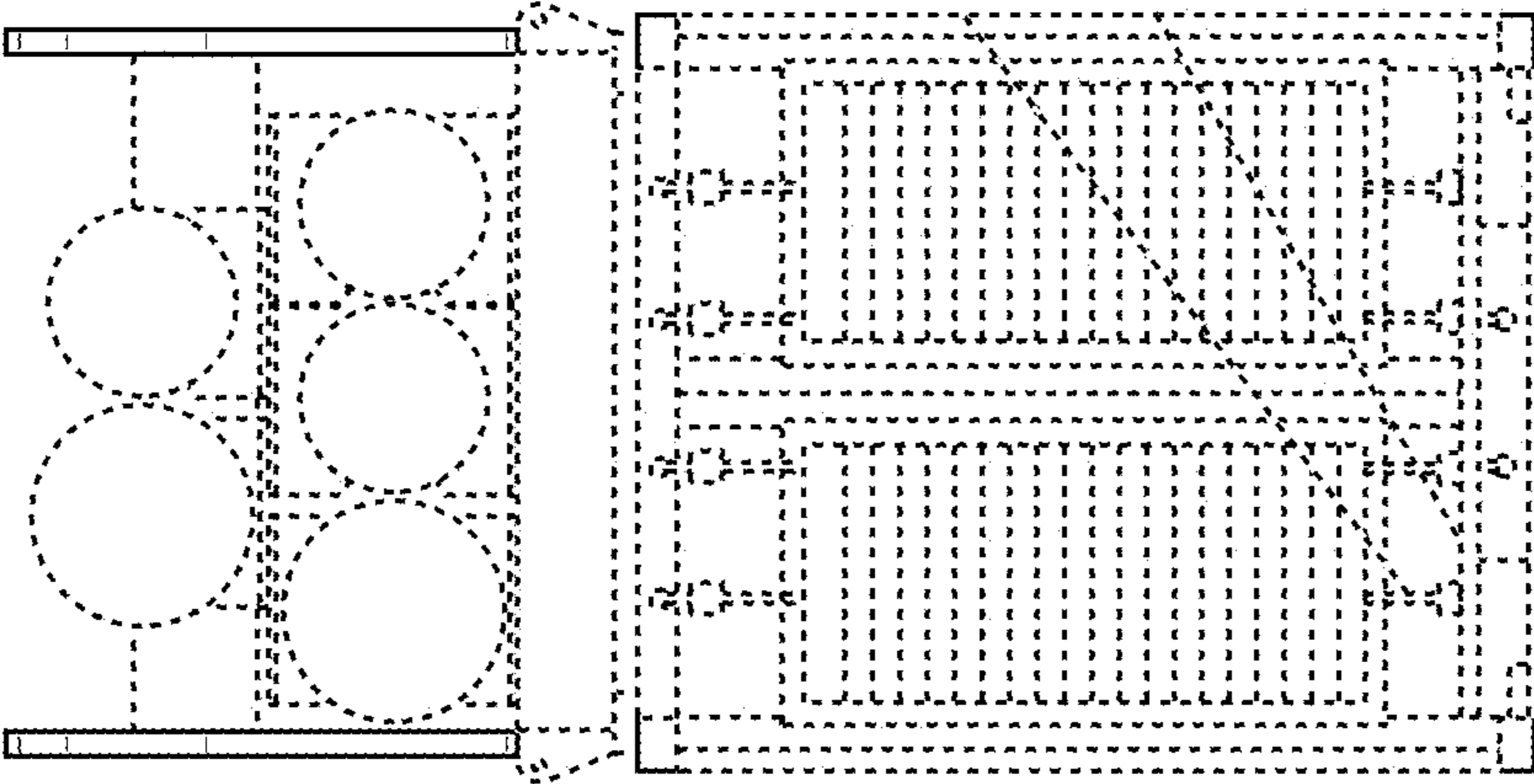


FIG. 4

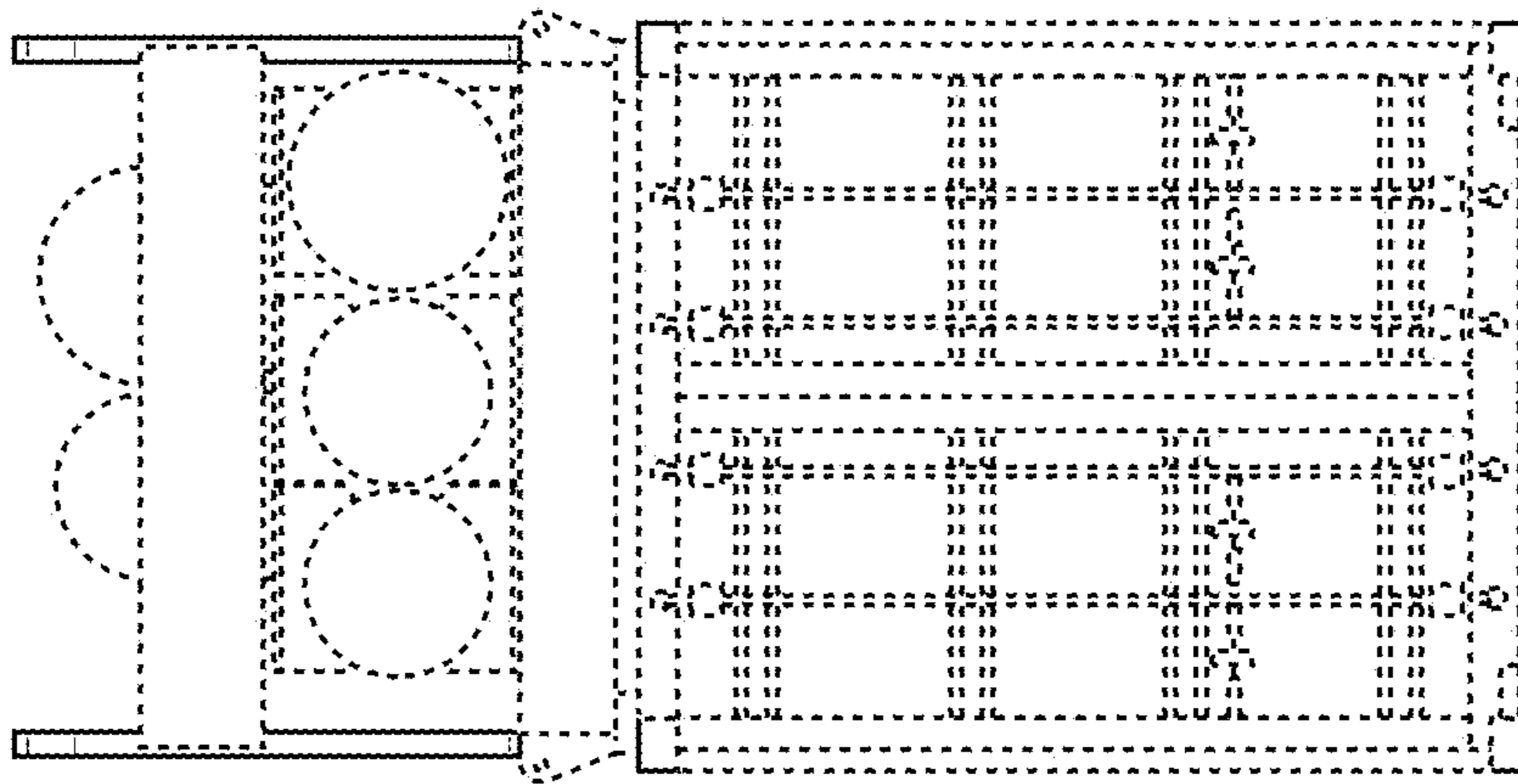


FIG. 5

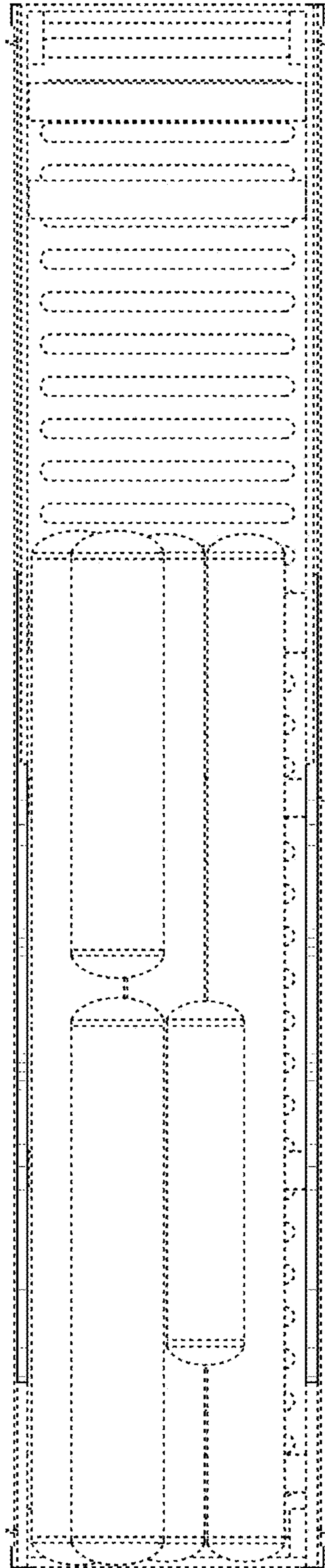


FIG. 6