



US00D979936S

(12) **United States Design Patent**  
**Zeng**

(10) **Patent No.:** **US D979,936 S**  
(45) **Date of Patent:** **\*\* Mar. 7, 2023**

- (54) **WALLET**
- (71) Applicant: **Zhi Zeng**, Guangdong (CN)
- (72) Inventor: **Zhi Zeng**, Guangdong (CN)
- (\*\*) Term: **15 Years**
- (21) Appl. No.: **29/845,771**
- (22) Filed: **Jul. 11, 2022**
- (51) **LOC (14) Cl.** ..... **03-01**
- (52) **U.S. Cl.**  
USPC ..... **D3/247**  
CPC ..... **A45C 11/182** (2013.01)
- (58) **Field of Classification Search**  
USPC ..... D3/247–253; D11/78.1  
CPC ..... G09F 3/207; A45C 11/182; A45C 1/06;  
A45C 2001/065; A45C 2001/067; A45C  
11/18; A45C 2011/188; A45C 2011/186  
See application file for complete search history.

(56) **References Cited**

**U.S. PATENT DOCUMENTS**

D429,067 S *	8/2000	Kleinsmith	.....	D3/249
D608,093 S *	1/2010	Moore	.....	D3/250
D628,797 S *	12/2010	Kal	.....	D3/247
D632,297 S *	2/2011	Berntsen	.....	D14/435
D775,824 S *	1/2017	King	.....	D3/247
D806,386 S *	1/2018	King	.....	D3/247
D808,158 S *	1/2018	King	.....	D3/247
D810,430 S *	2/2018	Kitchen	.....	D3/247
D831,349 S *	10/2018	Deng	.....	D3/247
D866,964 S *	11/2019	Tran	.....	D3/247
D868,463 S *	12/2019	Tran	.....	D3/249
D884,338 S *	5/2020	Liu	.....	D3/247
D895,276 S *	9/2020	Leh	.....	D3/247
D895,963 S *	9/2020	Anderson	.....	D3/247
D903,312 S *	12/2020	Bauer	.....	D3/300
D904,015 S *	12/2020	Zhang	.....	D3/247
D930,981 S *	9/2021	Ghazzaoui	.....	D3/247
D934,560 S *	11/2021	Tran	.....	D3/247

D950,240 S *	5/2022	Tran	.....	D3/247
D950,241 S *	5/2022	Tran	.....	D3/247
D950,954 S *	5/2022	Tran	.....	D3/247
D951,632 S *	5/2022	Tran	.....	D3/247
11,337,498 B2 *	5/2022	Tran	.....	A45C 11/182
D954,435 S *	6/2022	Yang	.....	D3/247
11,369,186 B1 *	6/2022	Dixon	.....	G09F 3/207
D956,415 S *	7/2022	Tran	.....	D3/247
D961,252 S *	8/2022	Ying	.....	D3/249
D964,735 S *	9/2022	Zeng	.....	D3/247
D967,626 S *	10/2022	Tran	.....	D3/249
2010/0038000 A1 *	2/2010	Ho	.....	A45C 11/182 150/147
2017/0065047 A1 *	3/2017	Van Der Laan	.....	B33Y 50/02
2021/0282518 A1 *	9/2021	Schepper	.....	A45C 11/182

\* cited by examiner

*Primary Examiner* — Richard E Chilcot

(74) *Attorney, Agent, or Firm* — ScienBiziP, P.C.

(57) **CLAIM**

The ornamental design for a wallet, as shown and described.

**DESCRIPTION**

FIG. 1 is a front, right and top perspective view of a wallet, showing my design.

FIG. 2 is a rear, left and bottom perspective view thereof.

FIG. 3 is a front elevation view thereof.

FIG. 4 is a rear elevation view thereof.

FIG. 5 is a left side elevation view thereof.

FIG. 6 is a right side elevation view thereof.

FIG. 7 is a top plan view thereof.

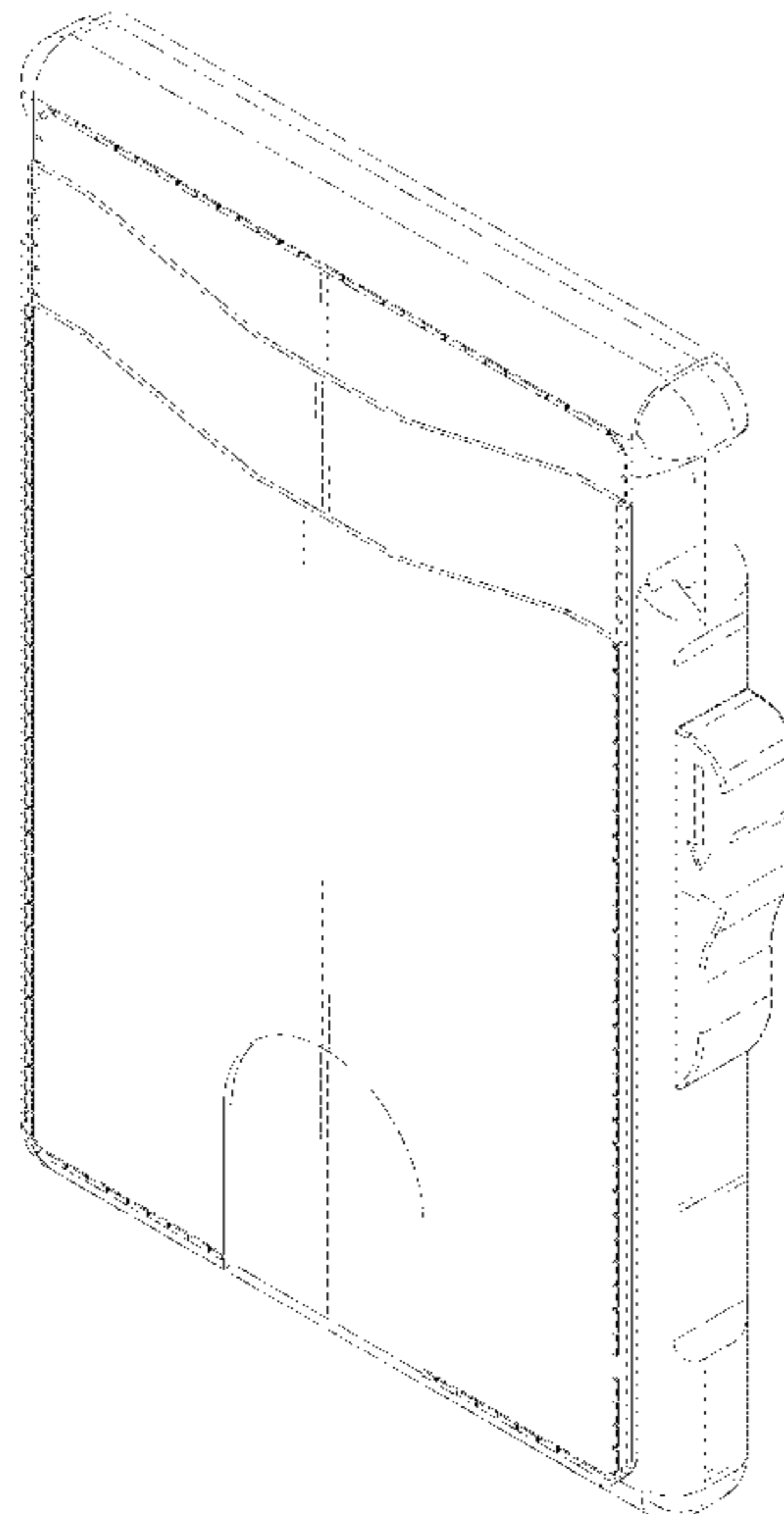
FIG. 8 is a bottom plan view thereof.

FIG. 9 is a partial enlarged view of an area labeled 9 in FIG. 2; and,

FIG. 10 is a partial enlarged view of an area labeled 10 in FIG. 2.

The dot-dash broken lines in FIGS. 2 and 9-10 depict the boundaries of the enlargements that form no part of the claimed design.

**1 Claim, 10 Drawing Sheets**



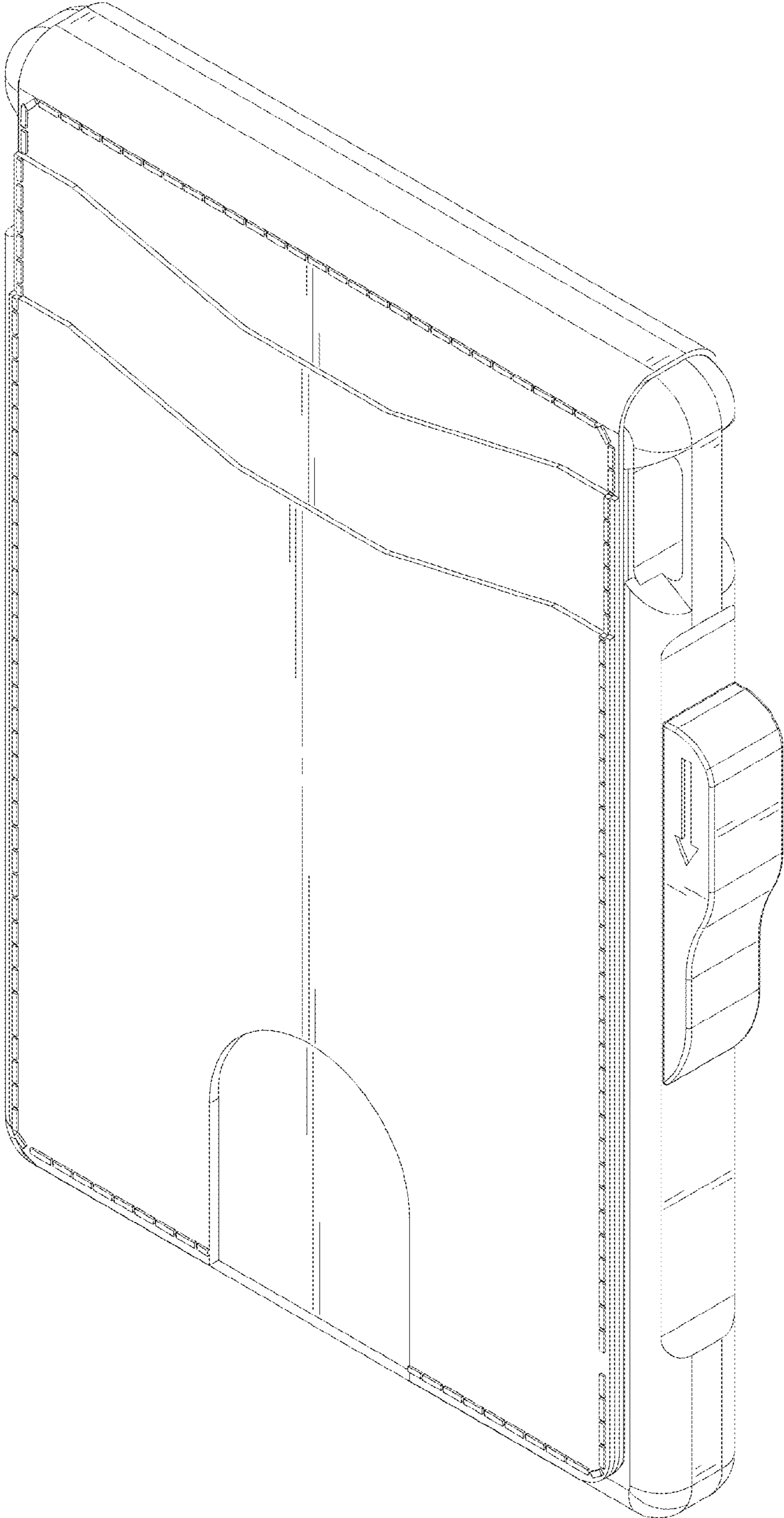


FIG. 1

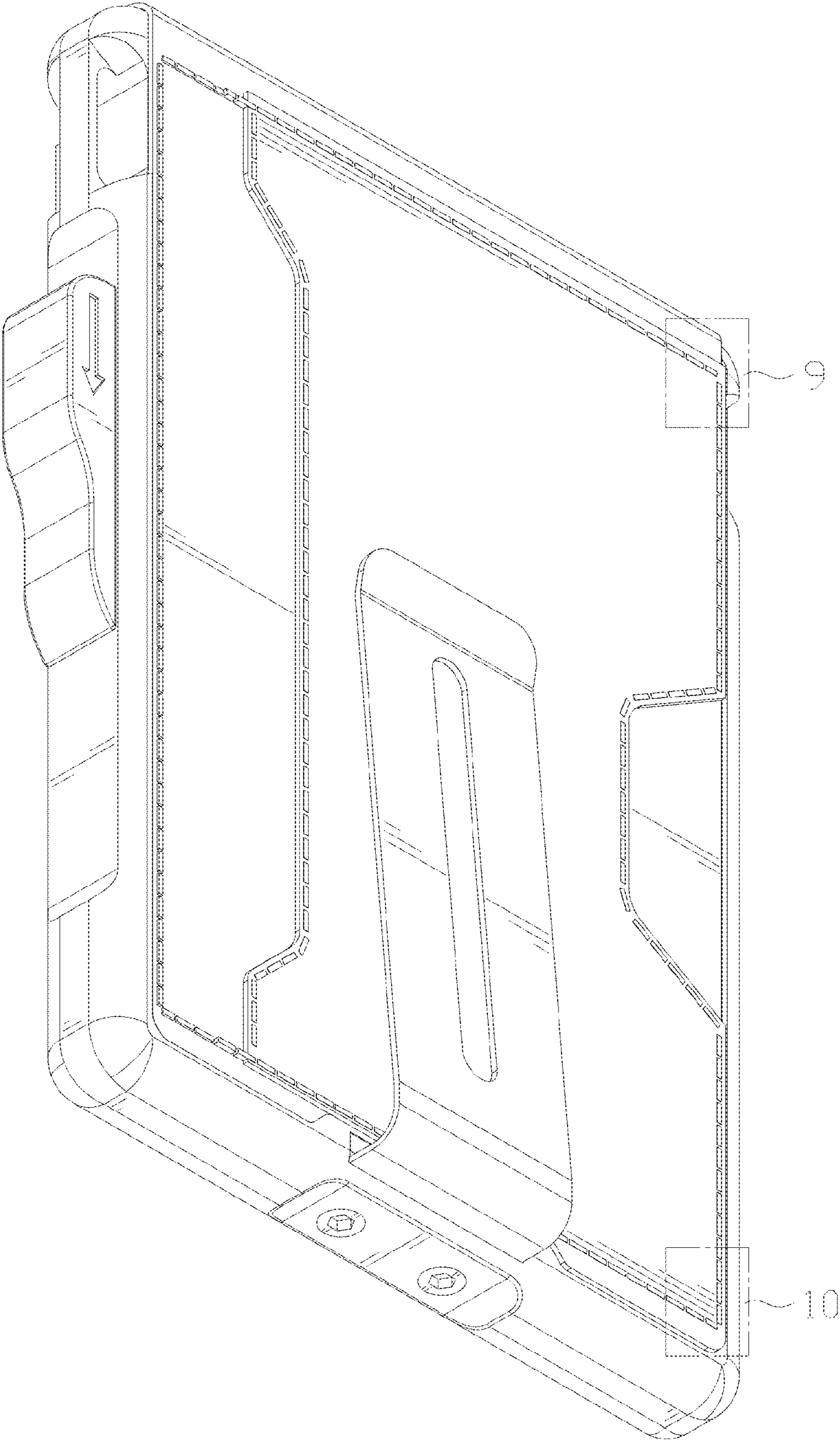


FIG. 2

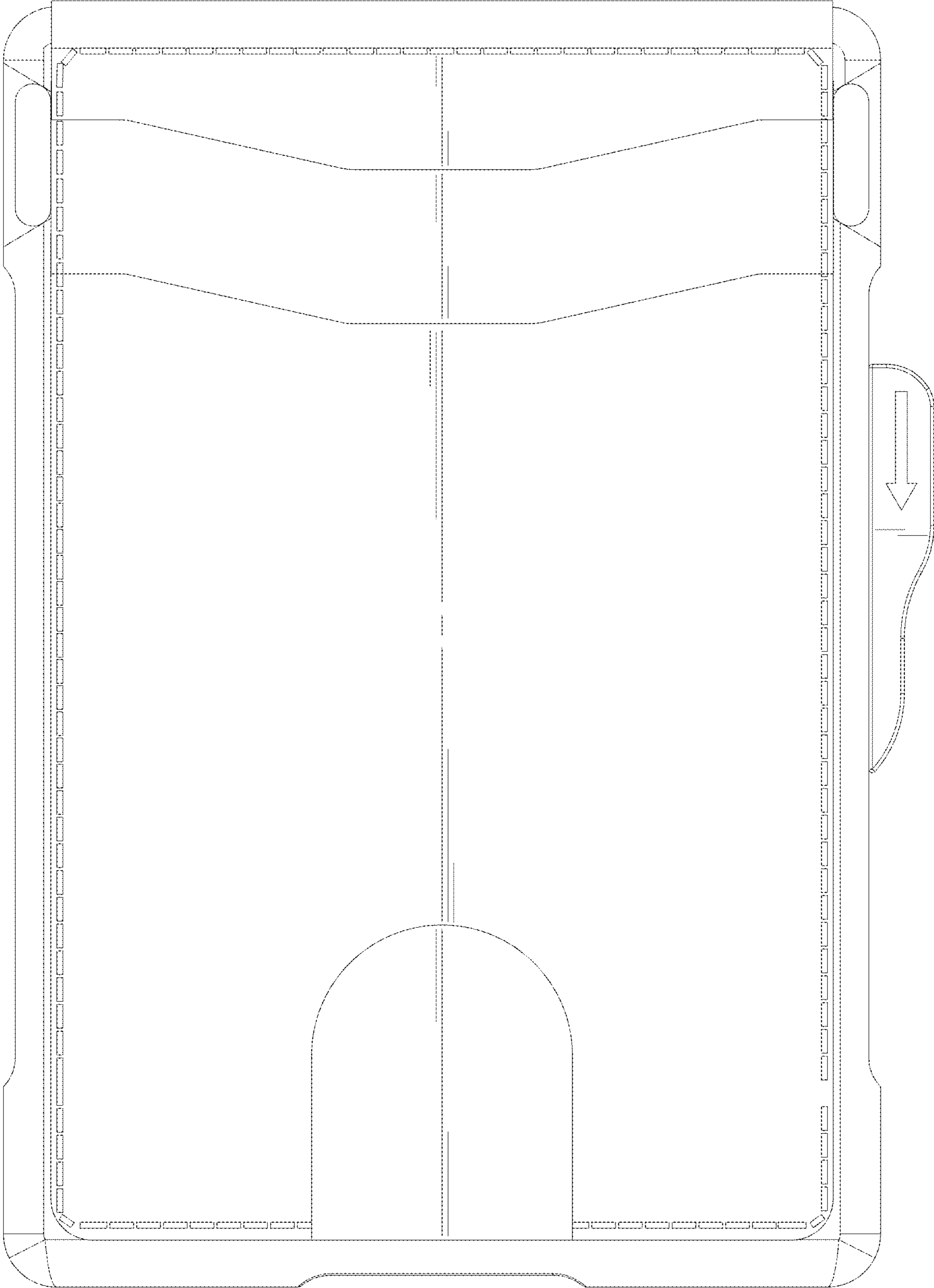


FIG. 3

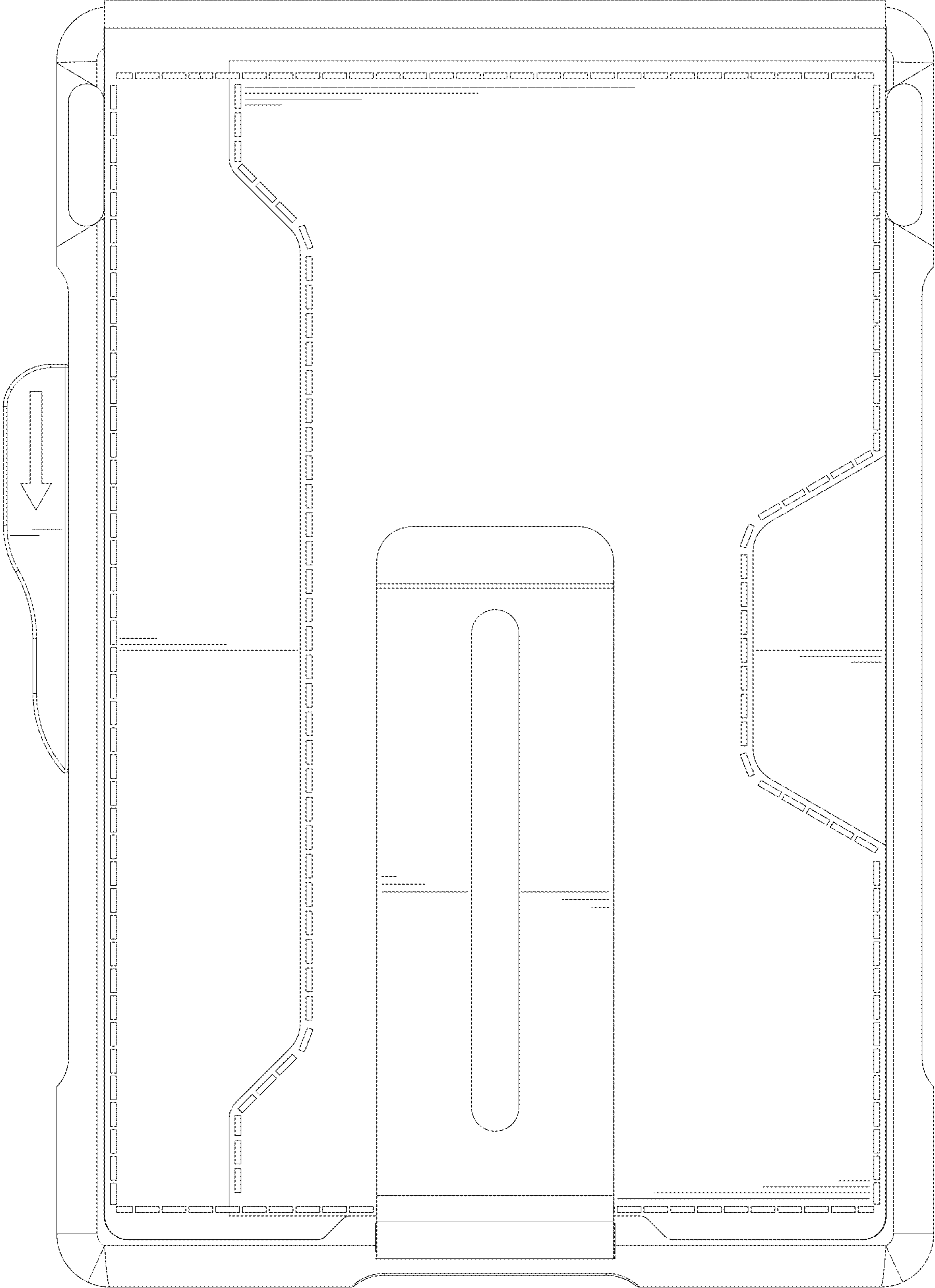


FIG.4

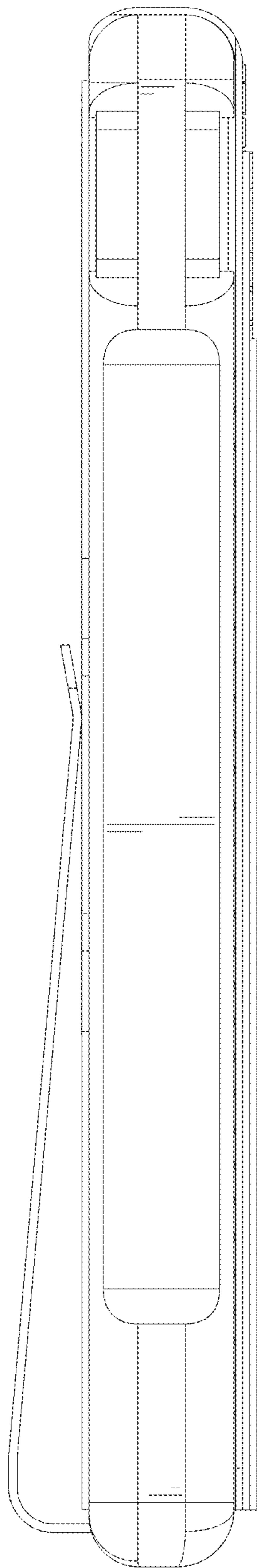


FIG. 5

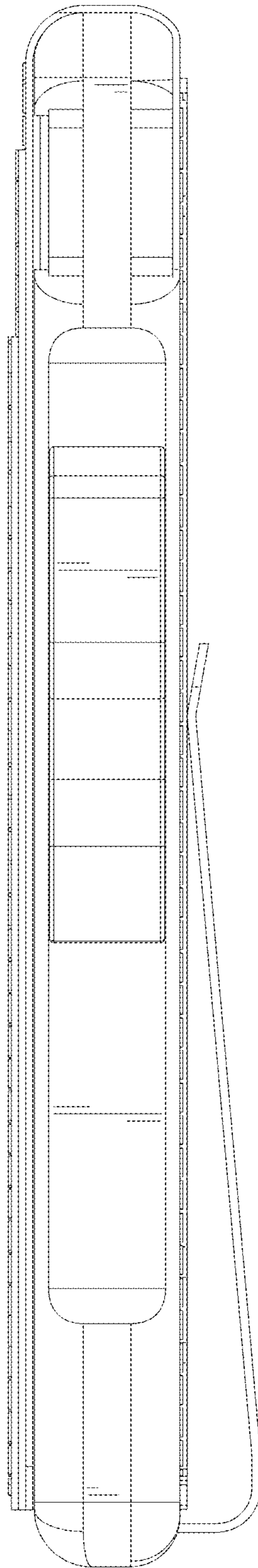


FIG.6

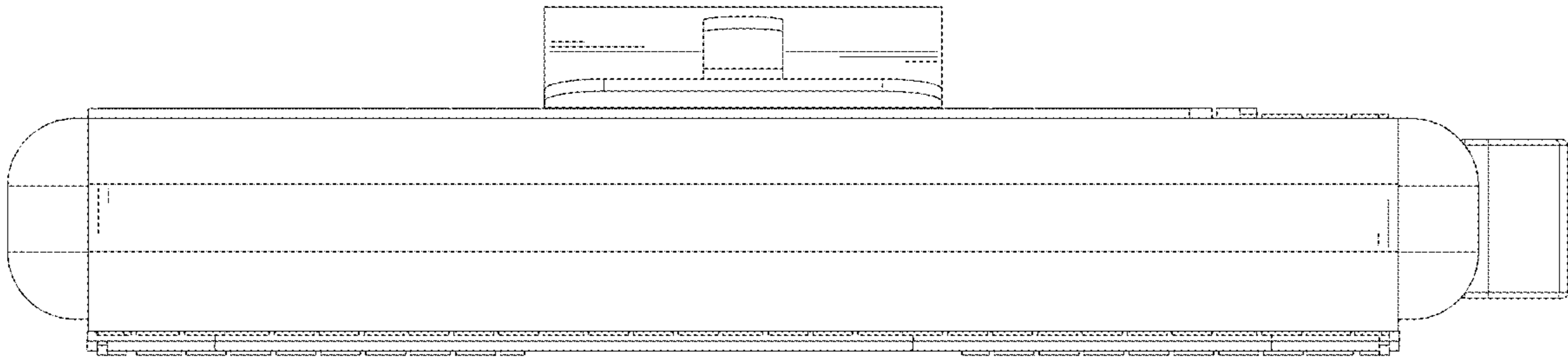


FIG. 7



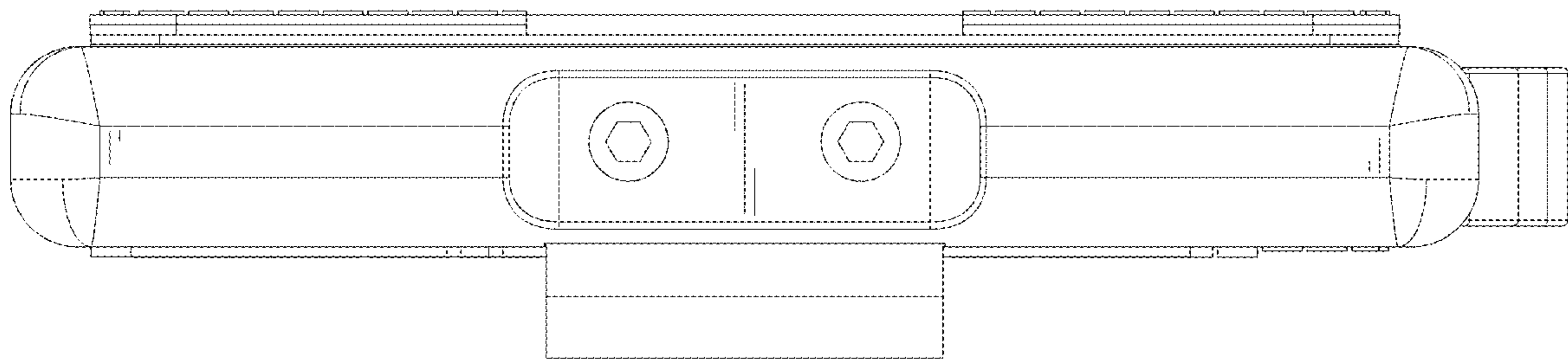


FIG.8

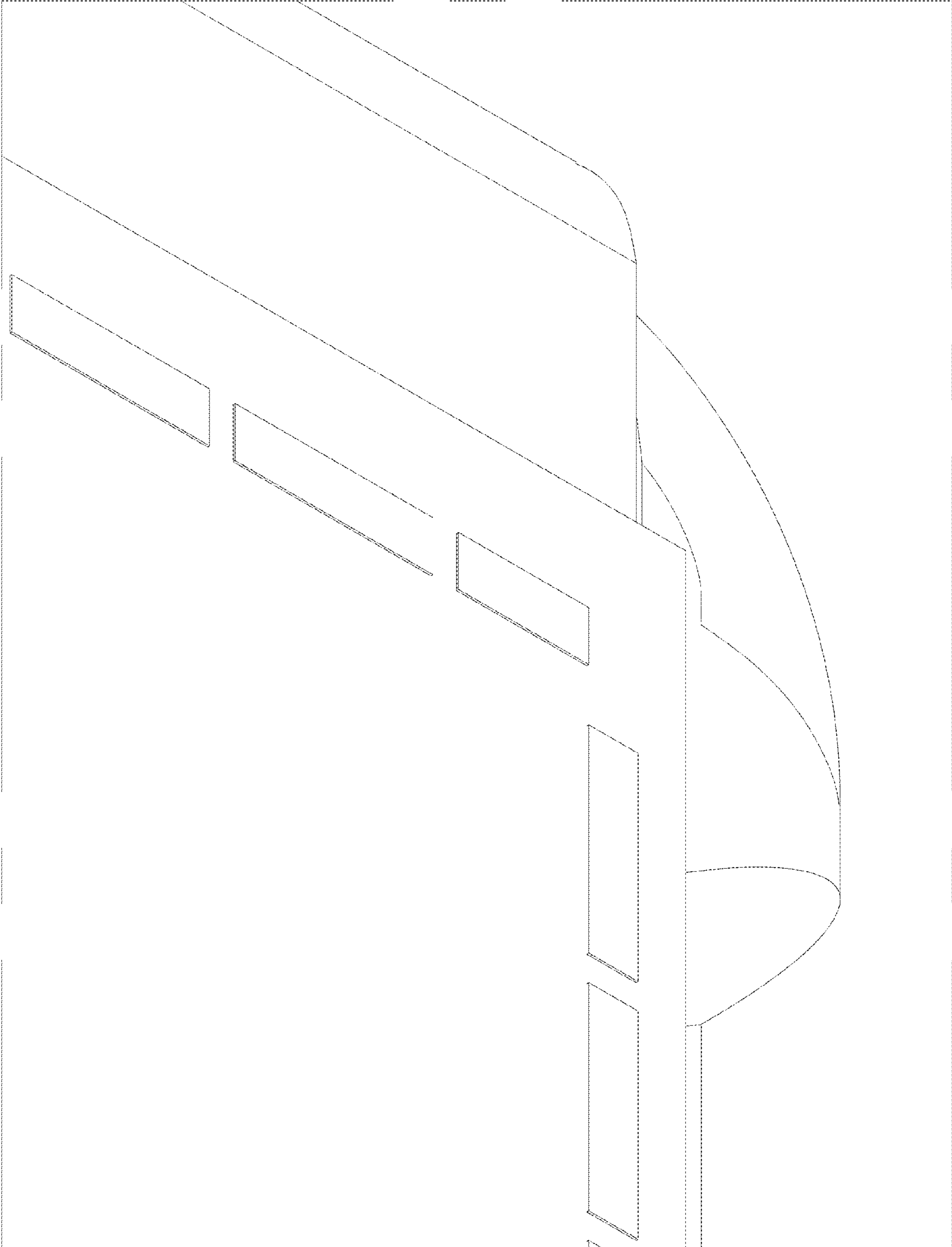


FIG.9

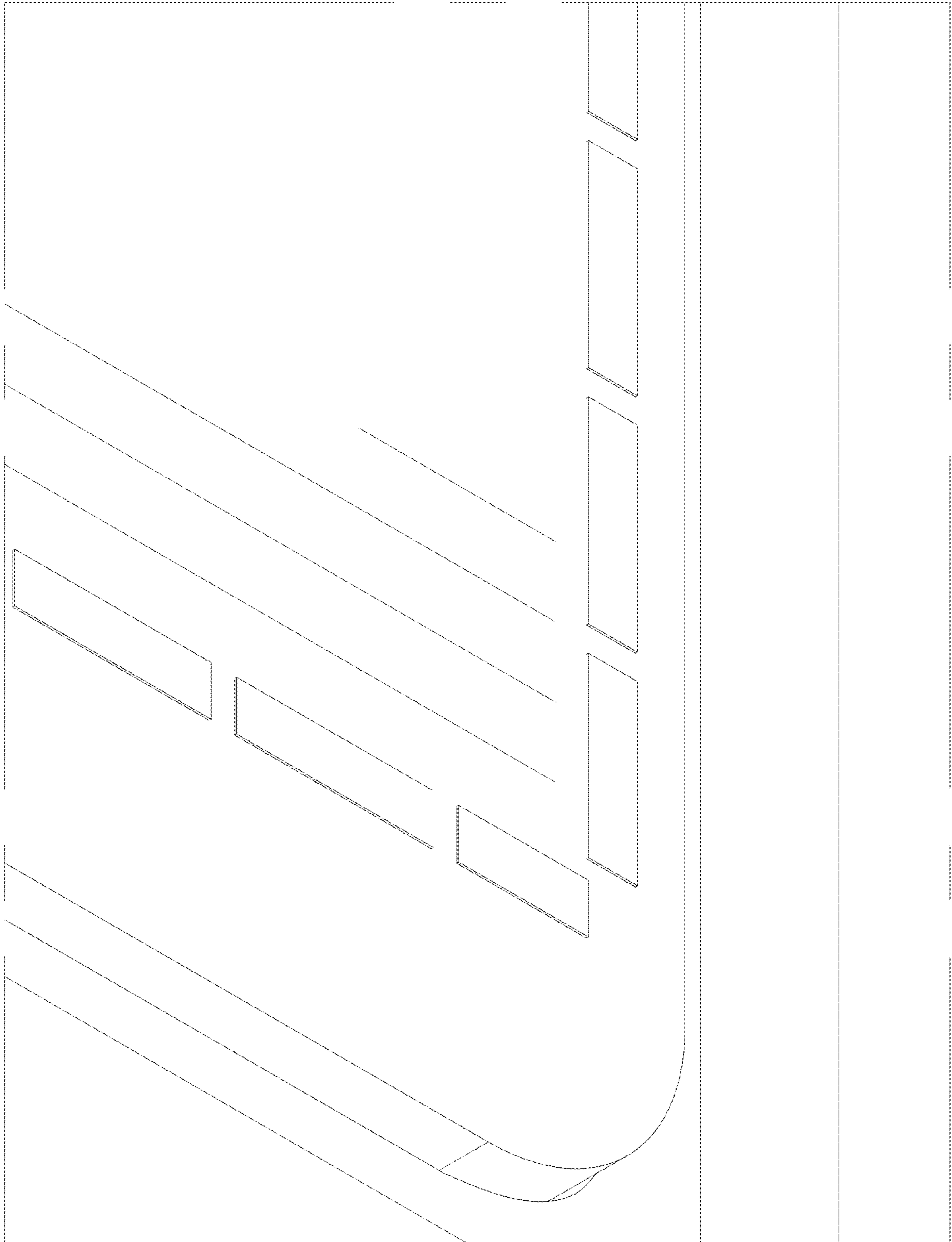


FIG.10