



US00D979934S

(12) **United States Design Patent** (10) **Patent No.:** **US D979,934 S**
Veit (45) **Date of Patent:** **** Mar. 7, 2023**

(54) **SECURITY BAG**

FOREIGN PATENT DOCUMENTS

(71) Applicant: **KMRup Holding GmbH**, Rupertshofen (DE)

WO WO-D212281-001 * 1/2021
WO WO-D213751-003 * 4/2021
WO WO-D213751-008 * 4/2021

(72) Inventor: **Horst Veit**, Gmund am Tegernsee (DE)

OTHER PUBLICATIONS

(**) Term: **15 Years**

(21) Appl. No.: **29/783,430**

(22) Filed: **May 13, 2021**

(51) **LOC (14) Cl.** **03-01**

(52) **U.S. Cl.**

USPC **D3/243**

(58) **Field of Classification Search**

USPC D3/201, 217, 226, 230–233, 240–246,
D3/249–253, 285, 303, 318, 321–328;
D9/703–707, 710; D11/218–221

CPC A45F 3/02; A45C 13/08; A45C 13/18;
A45C 1/024; A45C 3/06; A45C 15/00

See application file for complete search history.

Chestnut mandarin tree women leather vintage, posted at etsy.com, first available Oct. 23, 2020, retrieved Oct. 12, 2022, online, https://www.etsy.com/listing/803159442/smallmini-chestnutmandarin-tree-women?ga_order=most_relevant&ga_search_type=all&ga_view_type=gall%E2%80%A6 (Year: 2020).
Contacts crossbody shoulder bag, posted at amazon.com, first available 2022, retrieved Oct. 12, 2022, online, https://www.amazon.com/Contacts-Crossbody-Shoulder-Messenger-Business/dp/B0B5KLGPK8/ref=sr_1_106?crd=URI82Q0VDLCA&keywords=purs%E2%80%A6 (Year: 2022).
Exquisite vintage 1970s Astor Florence dark brown, posted at etsy.com, first available N/A, retrieved Oct. 12, 2022, online, https://www.etsy.com/listing/1307693304/exquisite-vintage-1970s-astor-florence?ga_order=most_relevant&ga_search_type=all&ga_view_type=galler%E2%80%A6 (Year: NA).*

(Continued)

(56) **References Cited**

U.S. PATENT DOCUMENTS

308,959 A * 12/1884 Ford A45C 3/06
150/117
2,453,021 A * 11/1948 Konelsky A45C 13/1069
206/818
2,817,378 A * 12/1957 Damast A45C 13/10
383/29
D635,358 S * 4/2011 Guyon D3/243
D641,550 S * 7/2011 Dreyfuss D3/243
D679,496 S * 4/2013 Dolce D3/243
D726,409 S * 4/2015 Fusi D3/243
D726,410 S * 4/2015 Fusi D3/243
D897,094 S * 9/2020 Mortier Bjornlund D3/240
D949,555 S * 4/2022 Agueci D3/232
2008/0055083 A1 * 3/2008 Yu G08B 1/08
340/571

Primary Examiner — Mary Shannon Malley

Assistant Examiner — Dustin Andrew Griffith

(74) *Attorney, Agent, or Firm* — Jeffrey M. Furr, Esq.;
Furr Law Firm

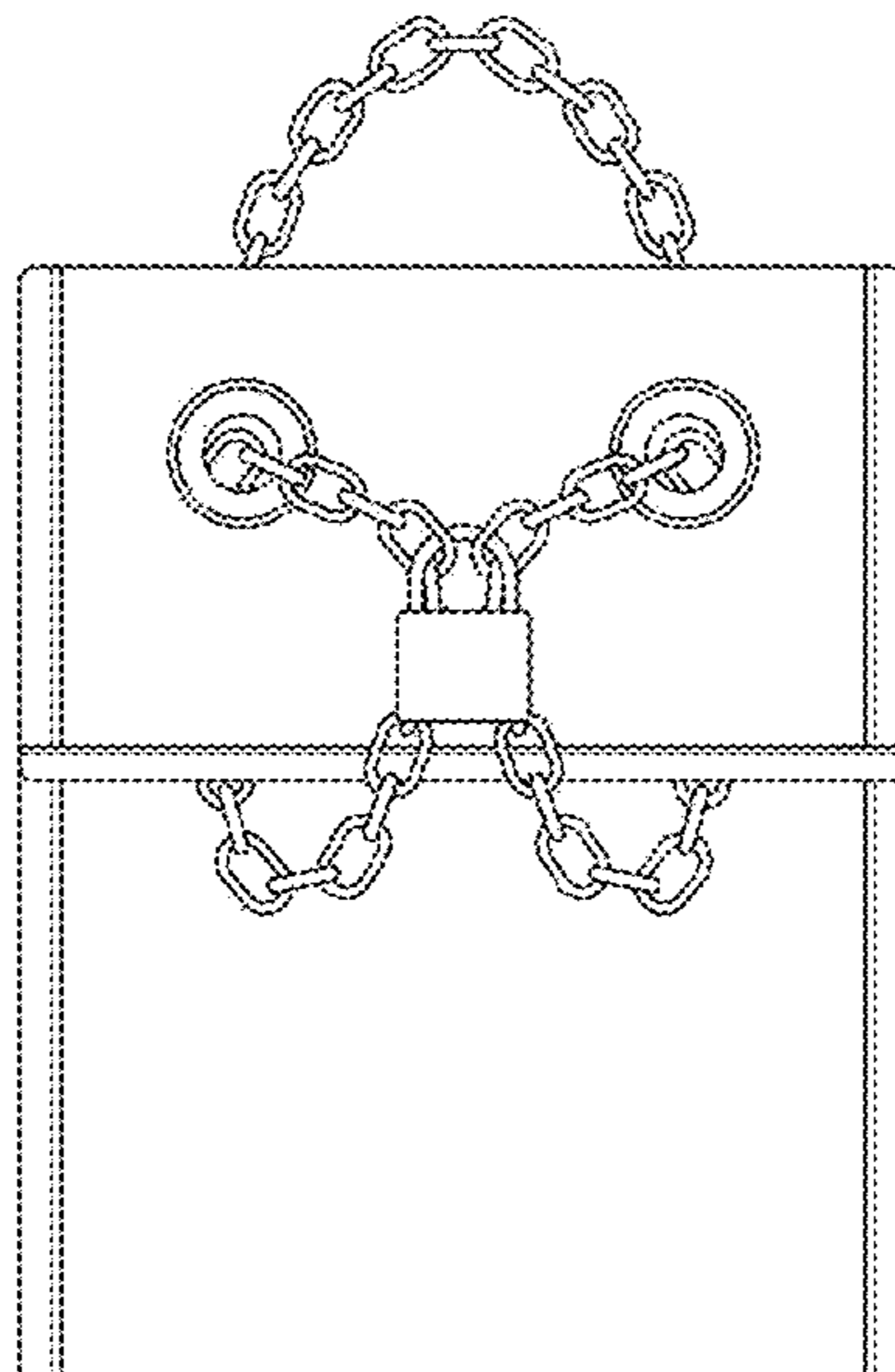
(57) **CLAIM**

The ornamental design for a security bag, as shown.

DESCRIPTION

FIG. 1 is a front view of the security bag showing my new design thereof;
FIG. 2 is back view thereof;
FIG. 3 is a left side view thereof;
FIG. 4 is a right side view thereof;
FIG. 5 is a top view thereof; and,
FIG. 6 is a bottom view thereof.

1 Claim, 6 Drawing Sheets



(56)

References Cited

OTHER PUBLICATIONS

Vintage crazy horse leather messenger bag, posted at etsy.com, first available 2022, retrieved Oct. 12, 2022, online, https://www.etsy.com/listing/1309720779/vintage-crazy-horse-leather-messenger?ga_order=most_relevant&ga_search_type=all&ga_view_type=galle%E2%80%A6 (Year: 2022).*

* cited by examiner

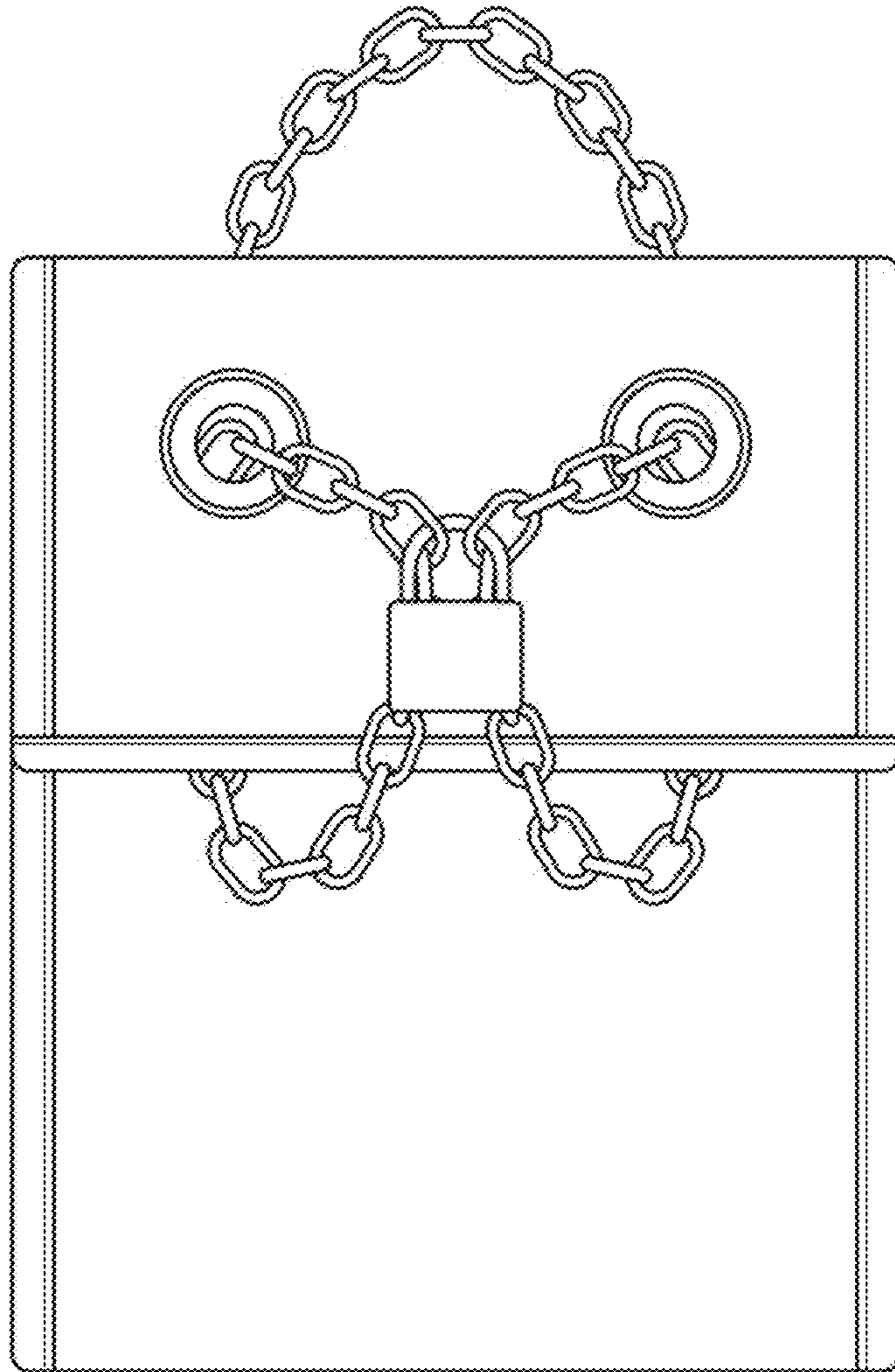


Fig. 1

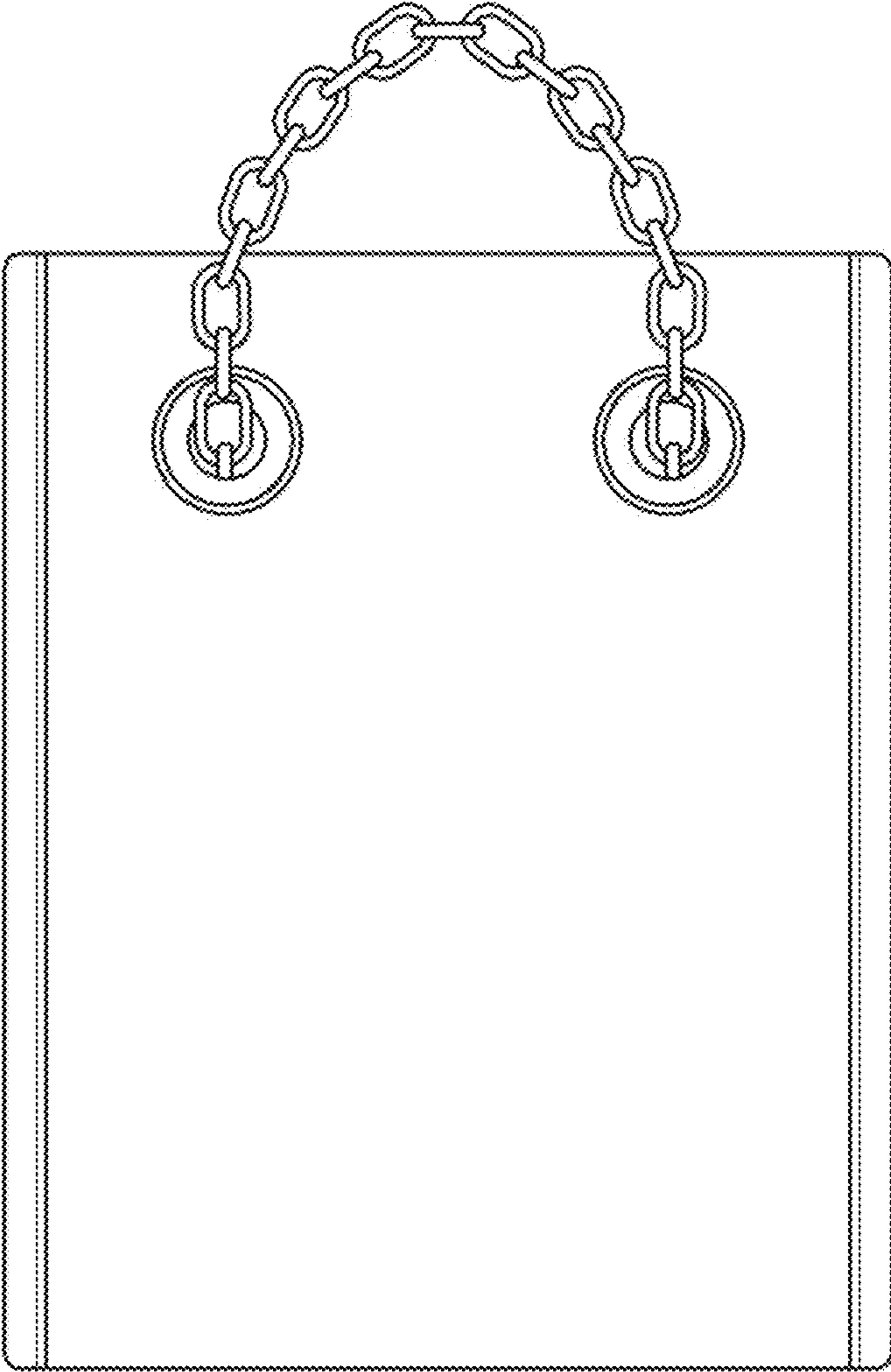


Fig. 2

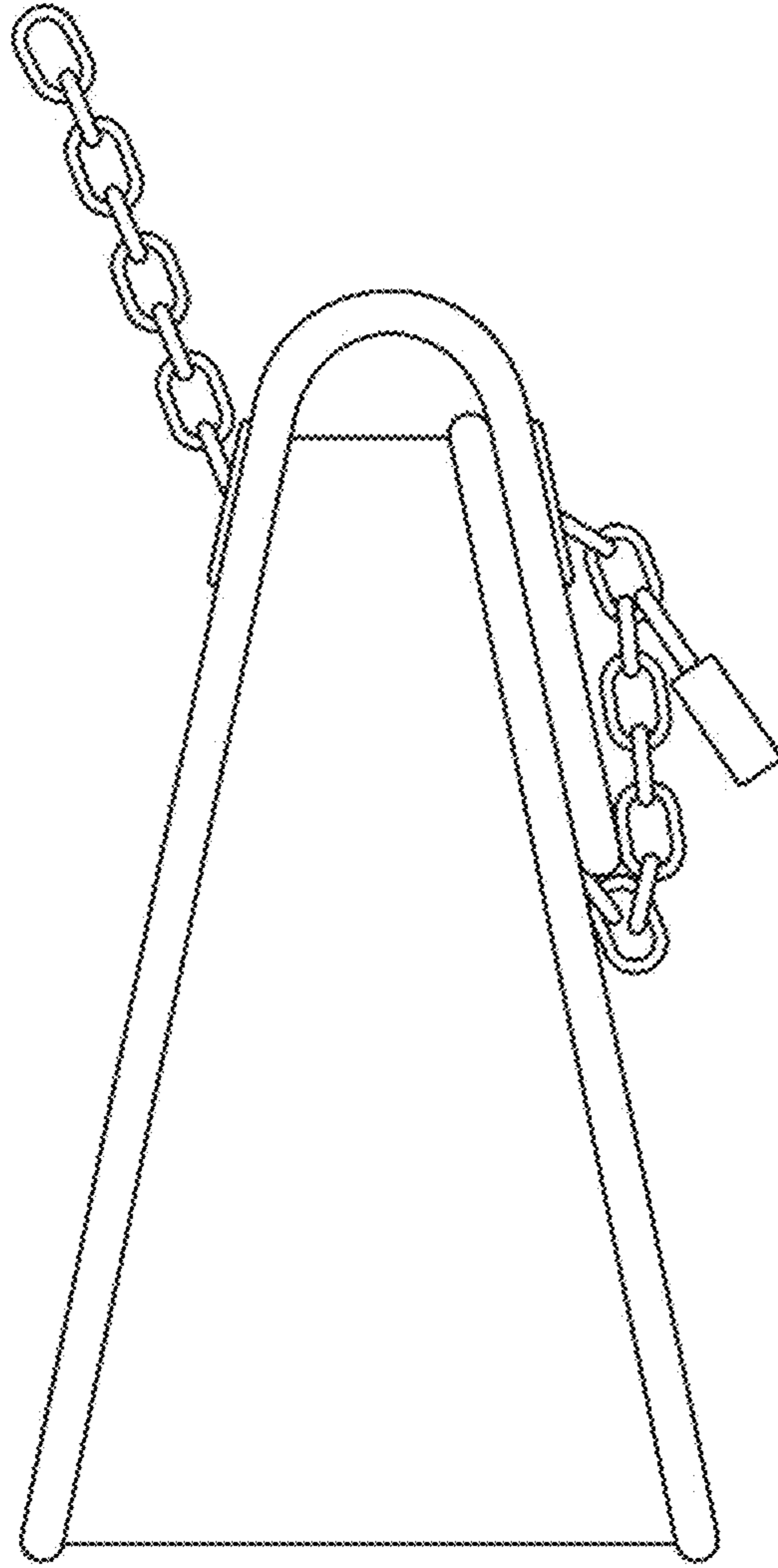


Fig. 3

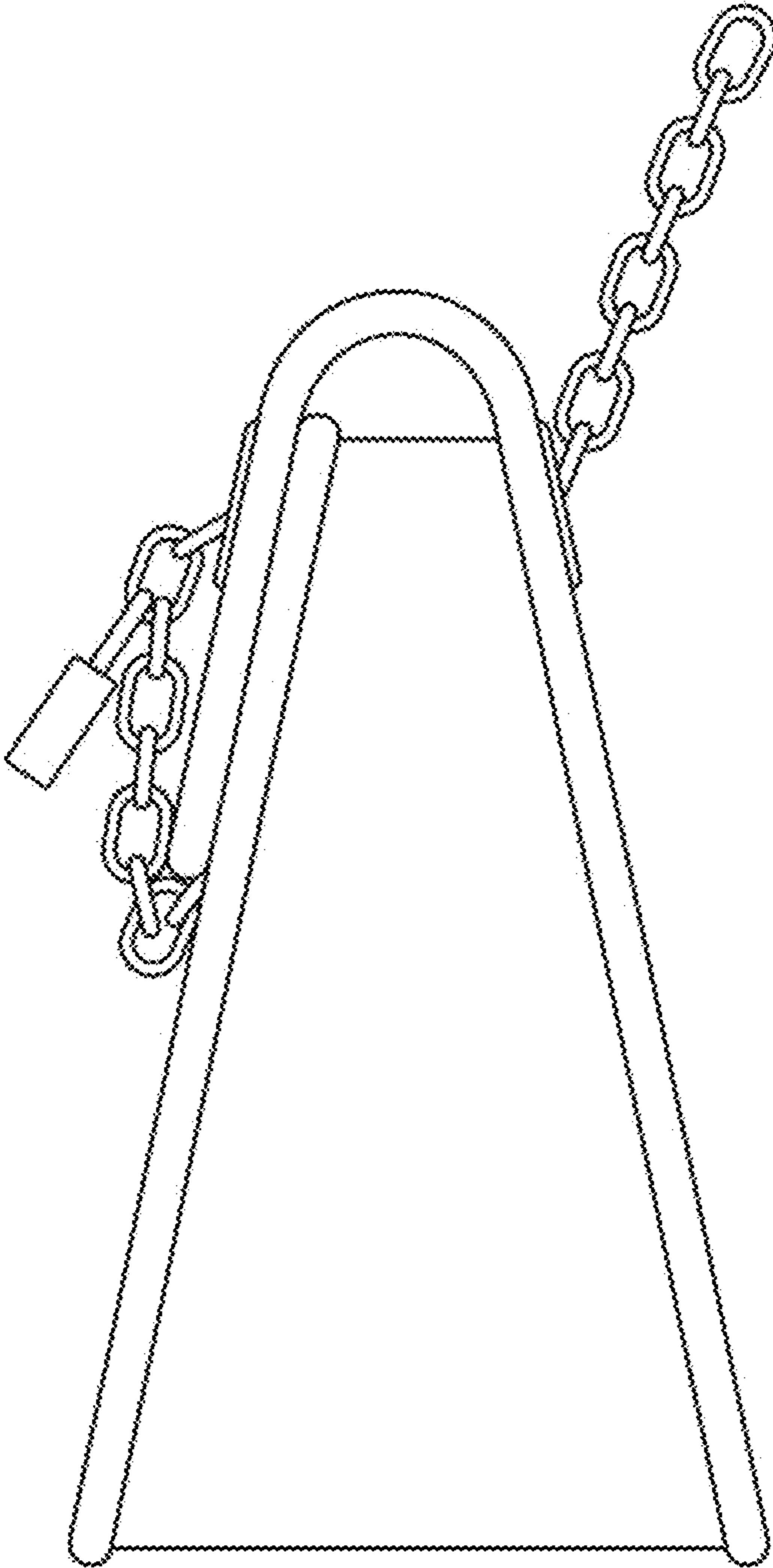


Fig. 4

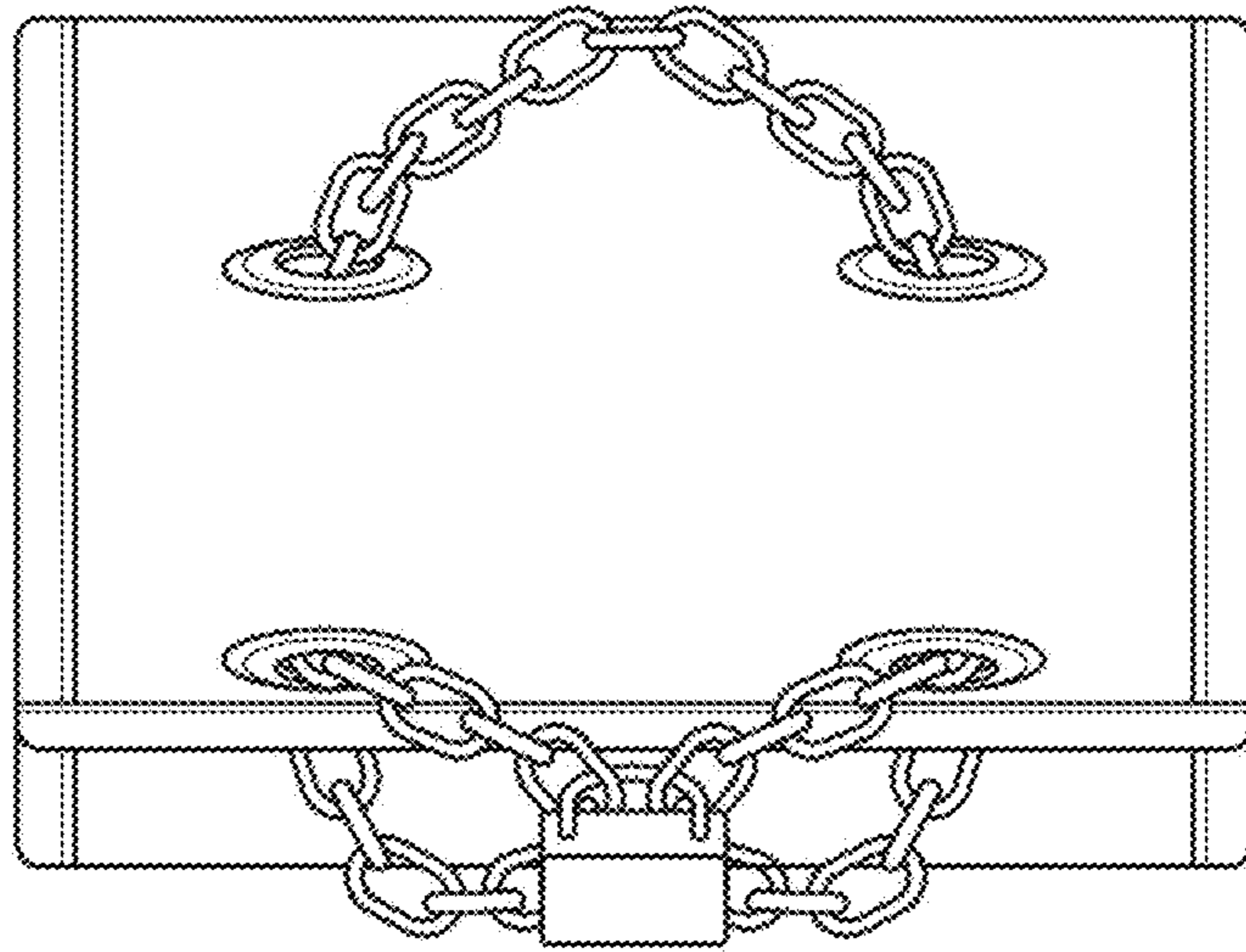


Fig. 5

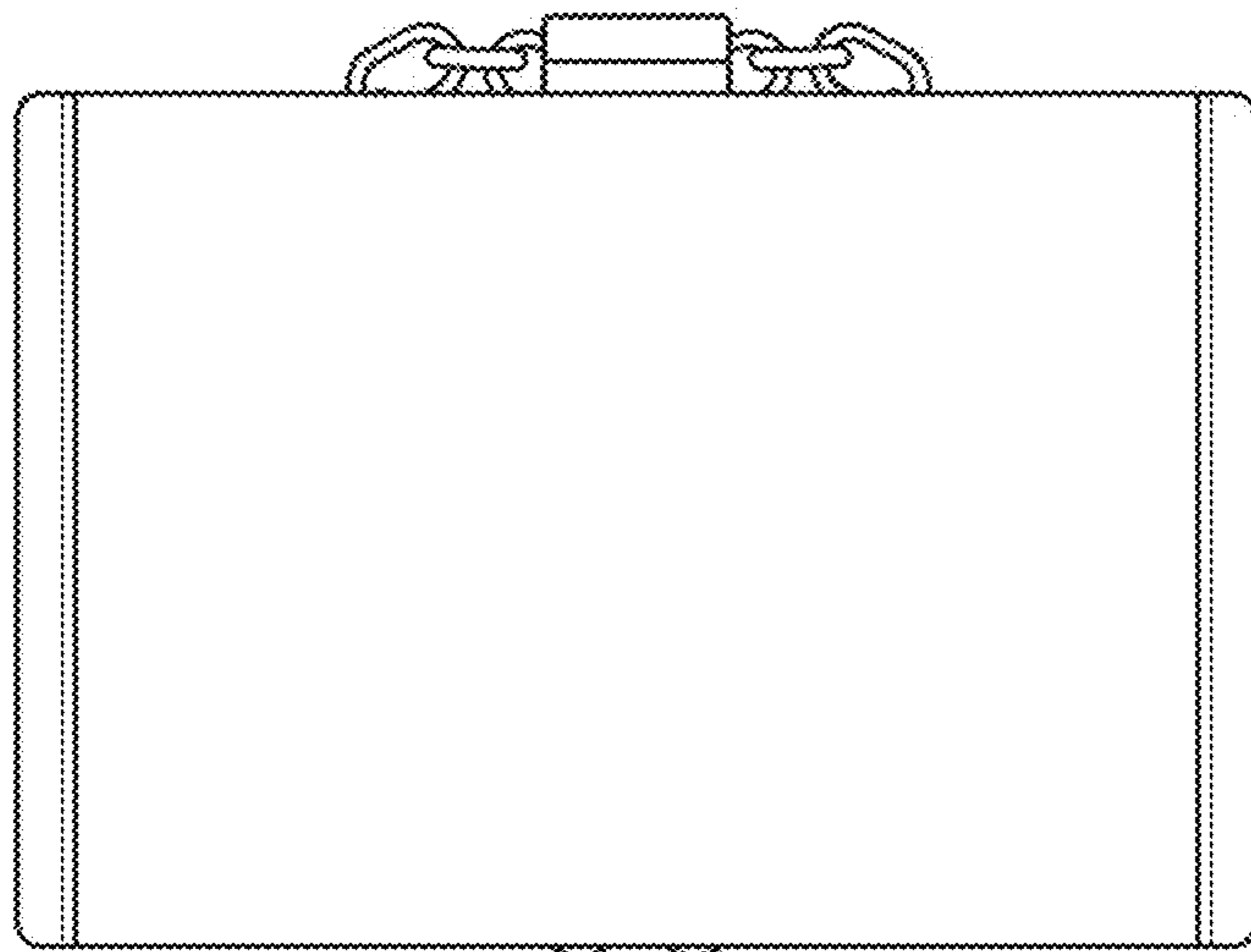


Fig. 6