

US00D979933S

(12) **United States Design Patent** (10) **Patent No.:** **US D979,933 S**
Bugert (45) **Date of Patent:** **** Mar. 7, 2023**

(54) KNIFE HOLSTER	5,146,684 A *	9/1992	Hagler	B26B 29/025 30/162
(71) Applicant: Philipp Bugert , Viernheim (DE)	D334,791 S *	4/1993	Collins	D22/118
(72) Inventor: Philipp Bugert , Viernheim (DE)	5,379,520 A *	1/1995	Collins	B26B 29/025 30/162
(73) Assignee: WOLFGANGS GmbH , Vemheim (DE)	6,138,363 A *	10/2000	Kawashima	B26B 29/025 30/162
(**) Term: 15 Years	D476,394 S *	6/2003	Trbovich, Jr.	D22/118
(21) Appl. No.: 35/511,573	D491,622 S *	6/2004	Hadley	D22/118
(22) Filed: Feb. 25, 2021	D527,241 S *	8/2006	Davis	D3/220
(80) Hague Agreement Data	D651,395 S *	1/2012	Norling	D3/220
Int. Filing Date: Feb. 25, 2021	D672,549 S *	12/2012	McLean	D3/220
Int. Reg. No.: DM/213058	D724,312 S *	3/2015	Wikstrom	D3/220
Int. Reg. Date: Feb. 25, 2021	D746,585 S *	1/2016	Burge	D3/220
Int. Reg. Pub. Date: Mar. 19, 2021	9,254,577 B2 *	2/2016	Kommer	B26B 29/025
	D809,786 S *	2/2018	Dingel	D3/220
	D816,431 S *	5/2018	Yeh	D7/638
	D817,724 S *	5/2018	Yeh	D7/638
	D844,096 S *	3/2019	McKillips	D22/118
	10,456,938 B2 *	10/2019	Wu	B26B 29/025
	2015/0190938 A1 *	7/2015	Kommer	B26B 29/025 30/151

* cited by examiner

Primary Examiner — Richard E Chilcot
(74) *Attorney, Agent, or Firm* — Danielson Legal LLC

(51) **LOC (14) Cl.** **03-01**
(52) **U.S. Cl.**
USPC **D3/220**
CPC **B26B 3/06** (2013.01)
(58) **Field of Classification Search**
USPC D7/637, 638; 30/151, 138, 143, 298.4;
D3/220; D8/34, 87, 104, 105
CPC B26B 29/025; B26B 3/06; B25F 1/00;
B21K 11/02
See application file for complete search history.

(57) **CLAIM**

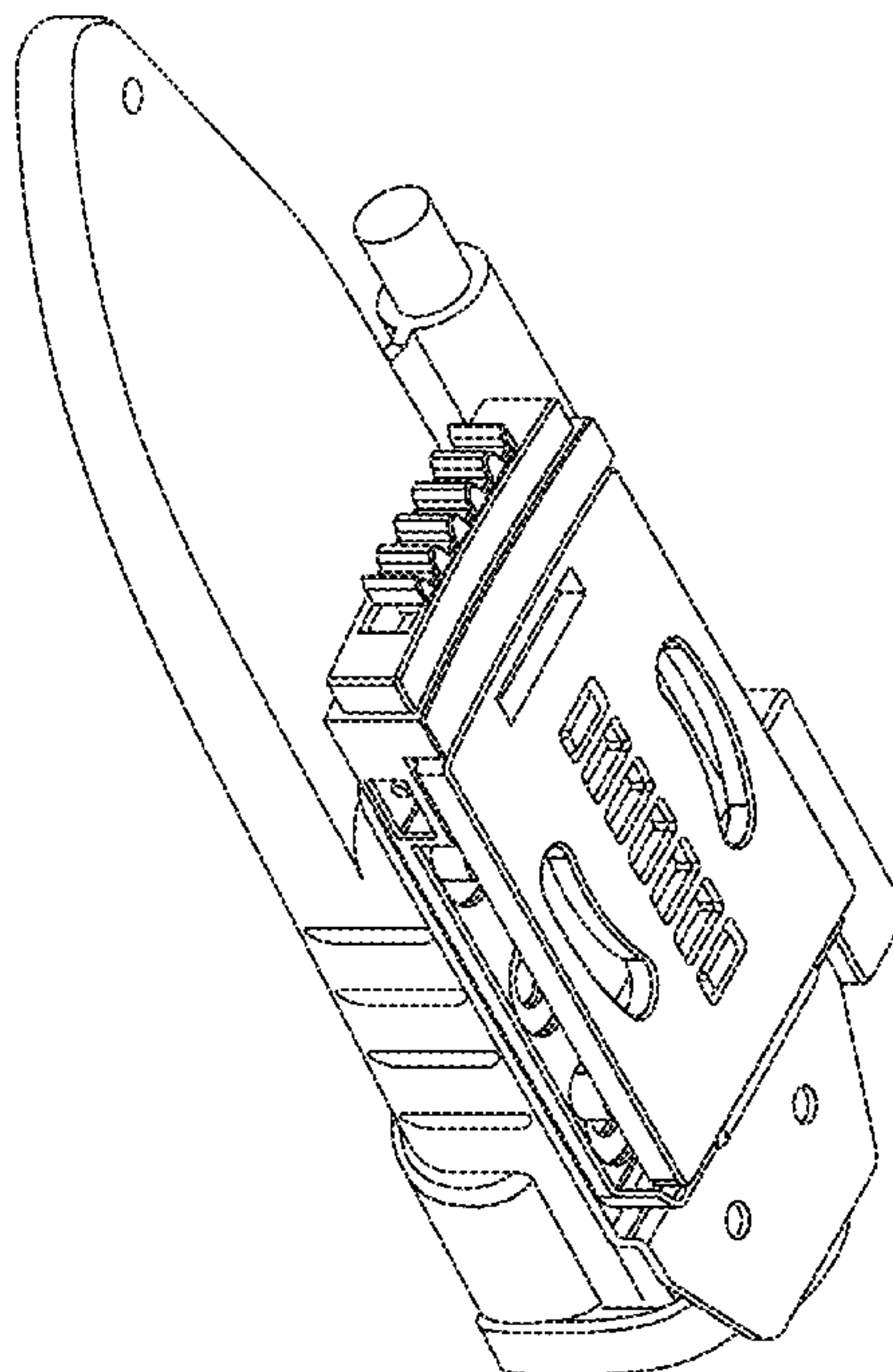
The ornamental design for knife holster, as shown and described.

DESCRIPTION

- 3. Knife holster
- 3.1 : Perspective
- 3.2 : Perspective
- 3.3 : Front
- 3.4 : Bottom
- 3.5 : Right

(56) **References Cited**
U.S. PATENT DOCUMENTS
4,211,003 A * 7/1980 Collins B26B 29/025
30/162
D317,037 S * 5/1991 Koshiishi D22/118

1 Claim, 5 Drawing Sheets



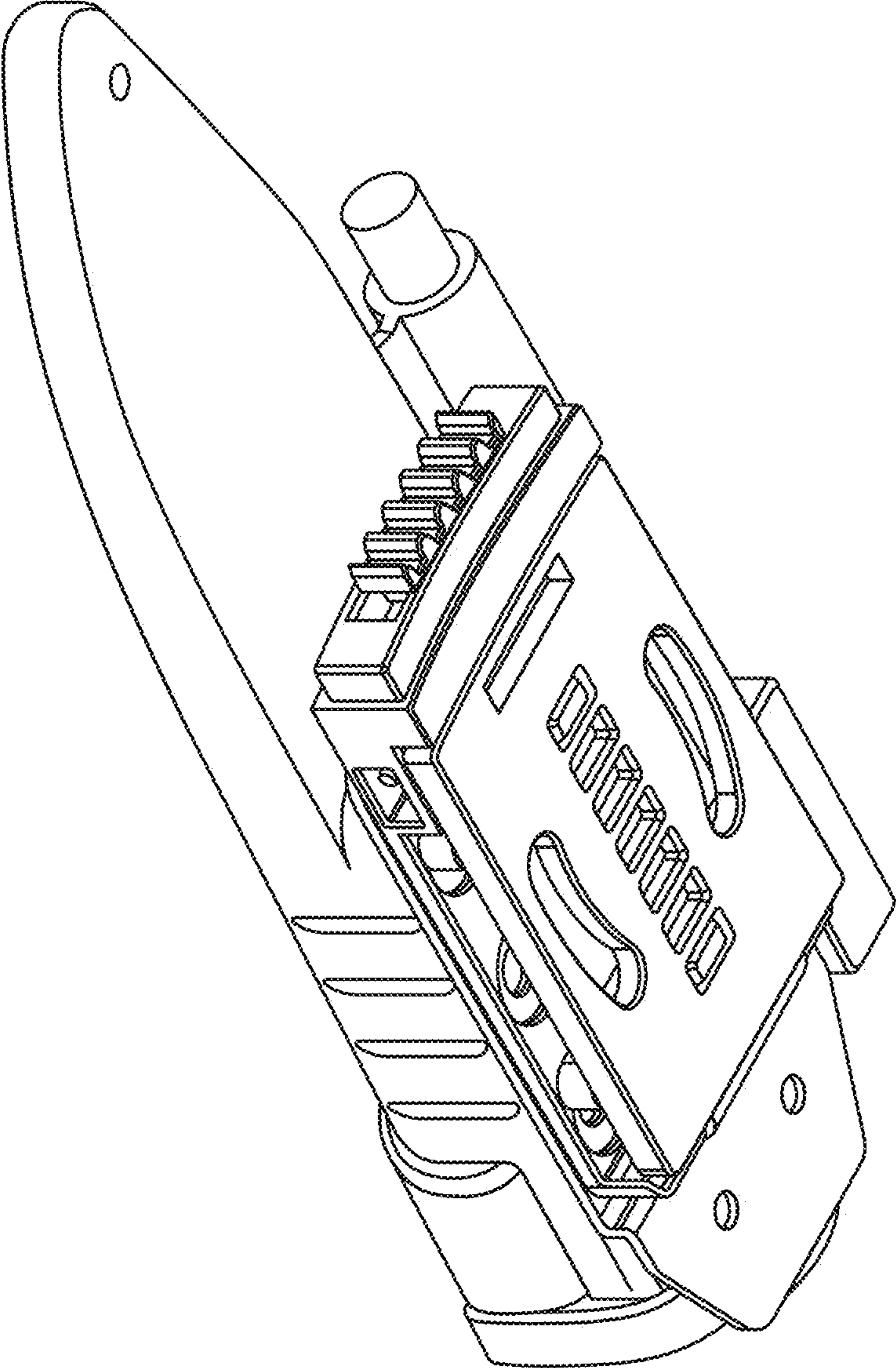


FIG. 3.1

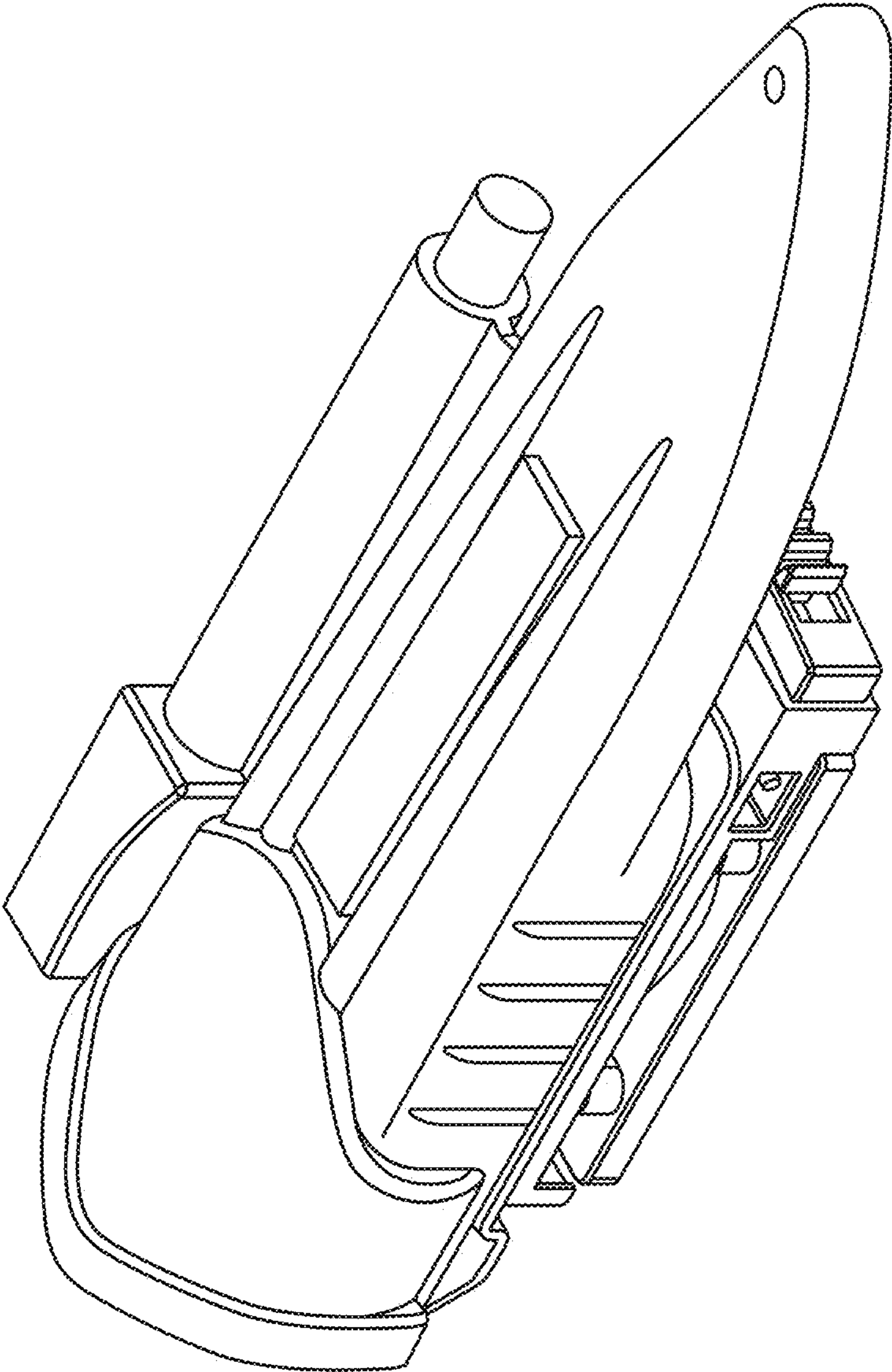


FIG. 3.2

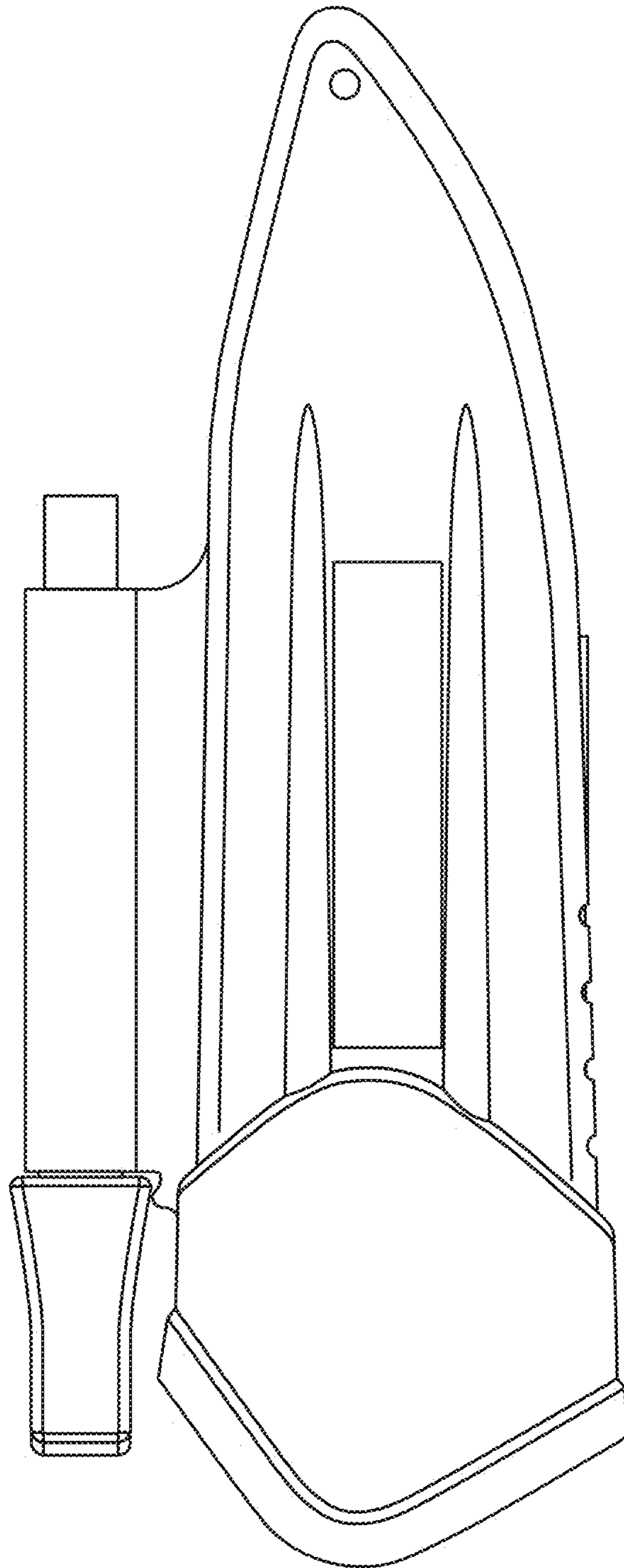


FIG. 3.3

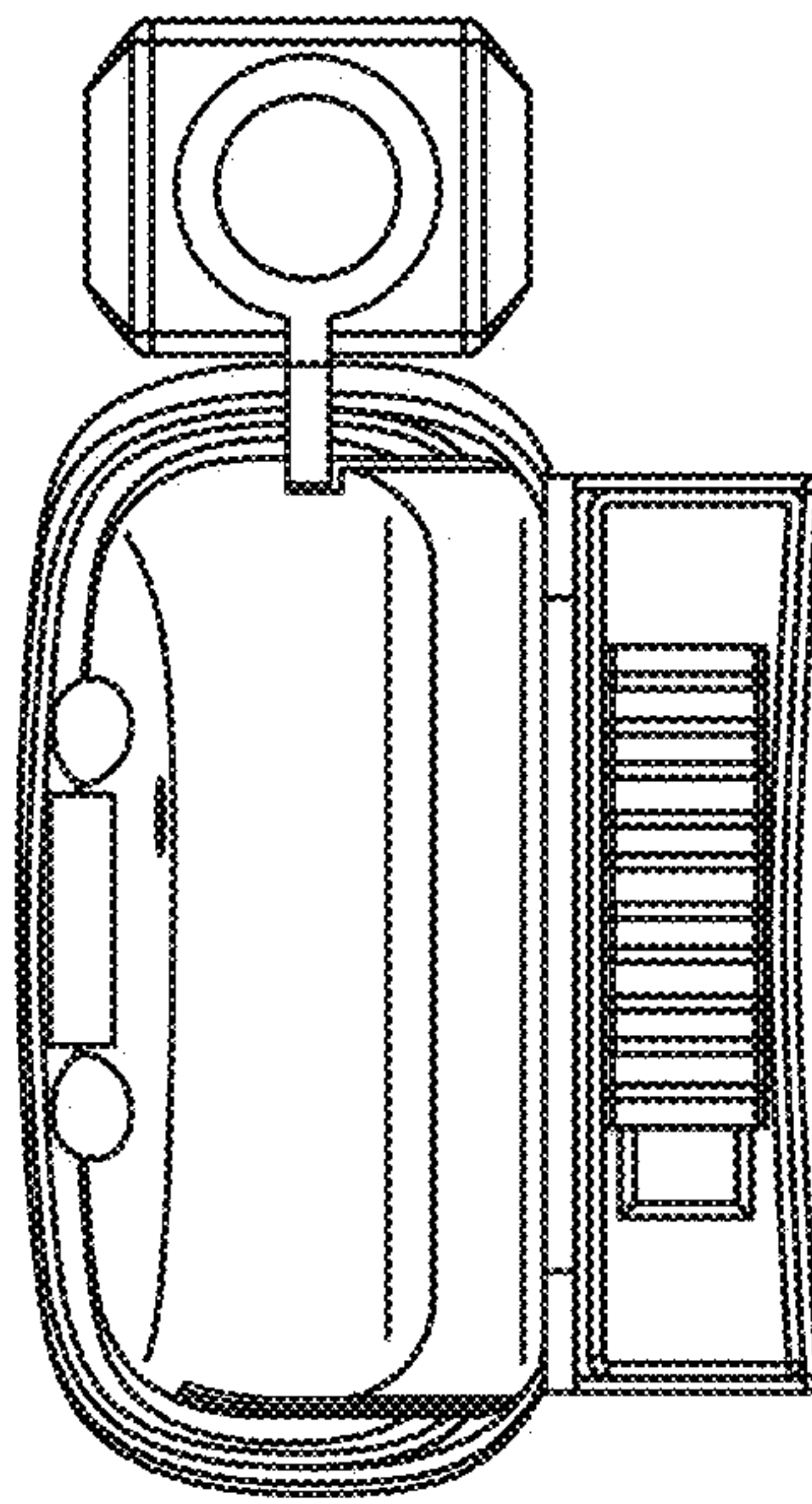


FIG. 3.4

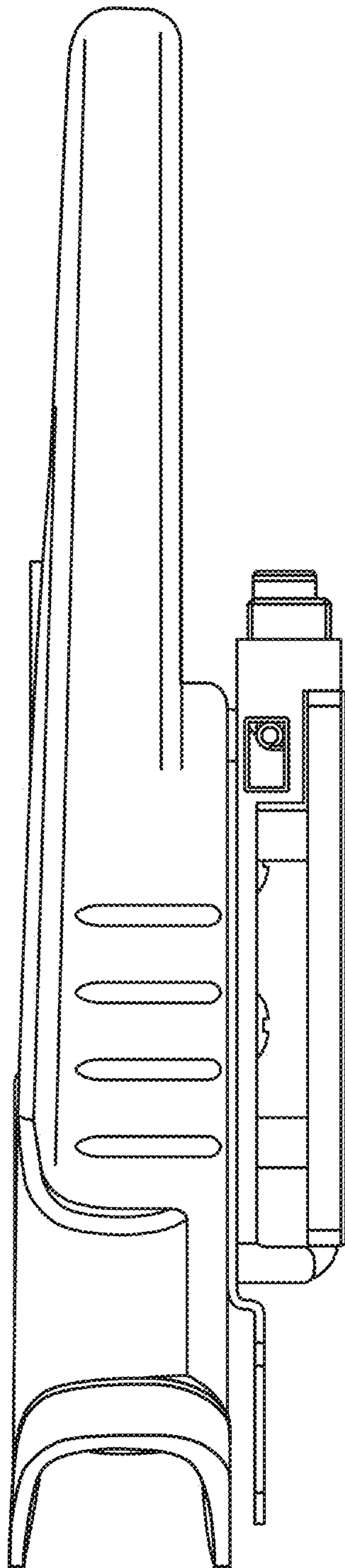


FIG. 3.5