

US00D979932S

(12) **United States Design Patent** (10) **Patent No.:** **US D979,932 S**
Li (45) **Date of Patent:** **** Mar. 7, 2023**

(54) **BACKPACK**
(71) Applicant: **Dongguan Deego Trading Co., Ltd.**,
Dongguan (CN)
(72) Inventor: **Hualan Li**, Dongguan (CN)
(73) Assignee: **DONGGUAN DEEGO TRADING**
CO., LTD, Dongguan (CN)
(**) Term: **15 Years**

D661,085 S * 6/2012 Custer D3/217
D699,943 S * 2/2014 Mather D3/217
D702,434 S * 4/2014 Chalk A45F 3/04
D3/217
D829,436 S 10/2018 Benzon et al.
D893,168 S * 8/2020 Smith D3/217
D944,515 S * 3/2022 Ji D3/217
D956,411 S * 7/2022 Jin D3/217
D957,117 S * 7/2022 Wilcox D3/217
D960,560 S * 8/2022 Lin D3/217
D970,210 S * 11/2022 Bin D3/217

(Continued)

(21) Appl. No.: **29/868,385**

FOREIGN PATENT DOCUMENTS

(22) Filed: **Dec. 1, 2022**
(51) **LOC (14) Cl.** **03-01**
(52) **U.S. Cl.**
USPC **D3/217**
(58) **Field of Classification Search**
USPC D3/201, 203.1, 203.2, 203.3, 203.6,
D3/203.7, 203.8, 207-211, 215-218,
D3/224-228, 230-233, 242-251, 273,
D3/274, 288-290, 310-315, 318-323;
D7/709; D9/715-721, 737-741, 747,
D9/414, 421, 435, 444, 455, 499,
D9/431-433; D11/78.1
CPC A47G 21/14; A47J 47/16; A47J 47/00;
B65D 1/00; B65D 1/22; B65D 1/24;
B65D 1/36; B65D 5/46072; B65D
25/2841; B65D 81/3813; B65D 81/3823;
B65D 88/00; B65D 88/02; B65D 88/025;
B65D 88/123; B65D 88/128; B65D
88/1656; A45F 5/02; A45F 2200/05; A61J
1/03; A61J 7/0084

CN 303406146 S 10/2015
CN 306436071 S 4/2021

Primary Examiner — Michelle E. Wilson
Assistant Examiner — Christopher John Suarez La Rosa
(74) *Attorney, Agent, or Firm* — Andrew C. Cheng

See application file for complete search history.

(56) **References Cited**

U.S. PATENT DOCUMENTS

4,940,173 A * 7/1990 Jacober A45C 11/20
224/583
5,411,192 A * 5/1995 Xiao A45F 4/02
224/560

(57) **CLAIM**

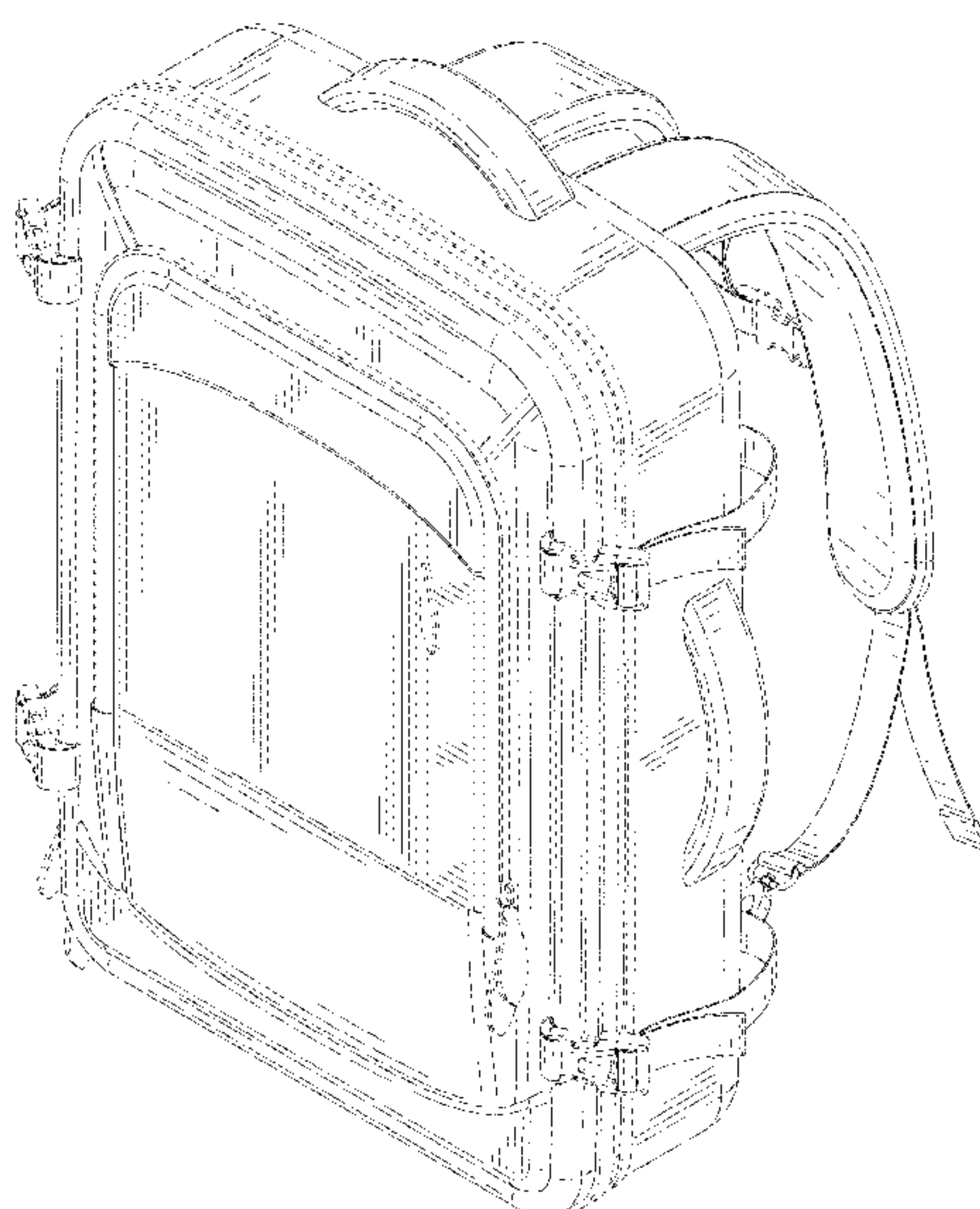
I claim the ornamental design for the backpack, as shown and described.

DESCRIPTION

FIG. 1 is a top, front, right perspective view of a backpack of my new design;
FIG. 2 is a bottom, rear, left side perspective view thereof;
FIG. 3 is a front view thereof;
FIG. 4 is a rear view thereof;
FIG. 5 is a left view thereof;
FIG. 6 is a right view thereof;
FIG. 7 is a top view thereof; and,
FIG. 8 is a bottom view thereof.

The broken lines in the figures depict portions of the backpack that form no part of the claimed design. The zipper stitching shown in the figures also forms no part of the claimed design.

1 Claim, 8 Drawing Sheets



(56)

References Cited

U.S. PATENT DOCUMENTS

2008/0116026 A1* 5/2008 Bass A45C 7/0086
190/1
2008/0245829 A1* 10/2008 Hansen A45C 7/0054
224/153

* cited by examiner



FIG.1

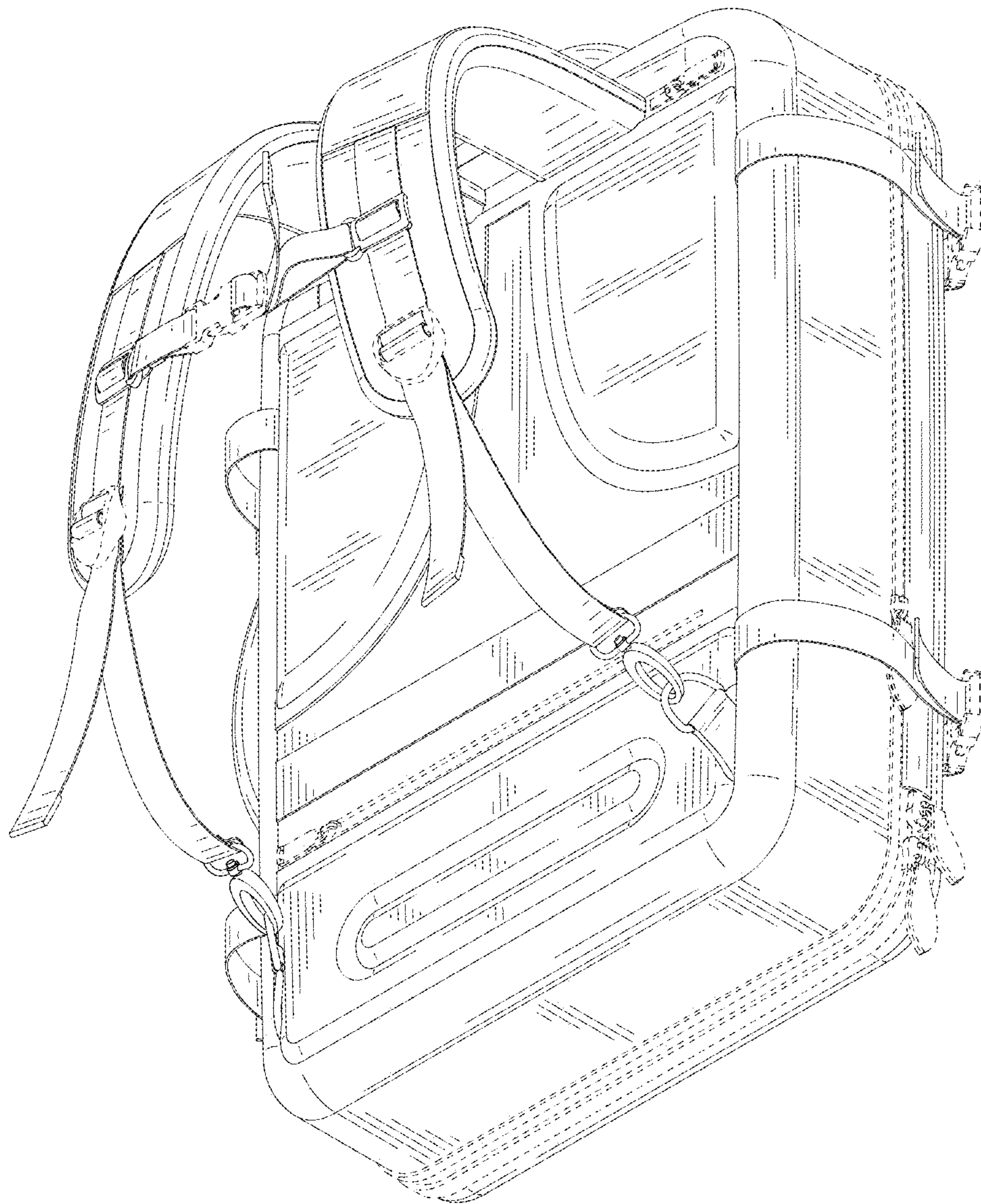


FIG.2

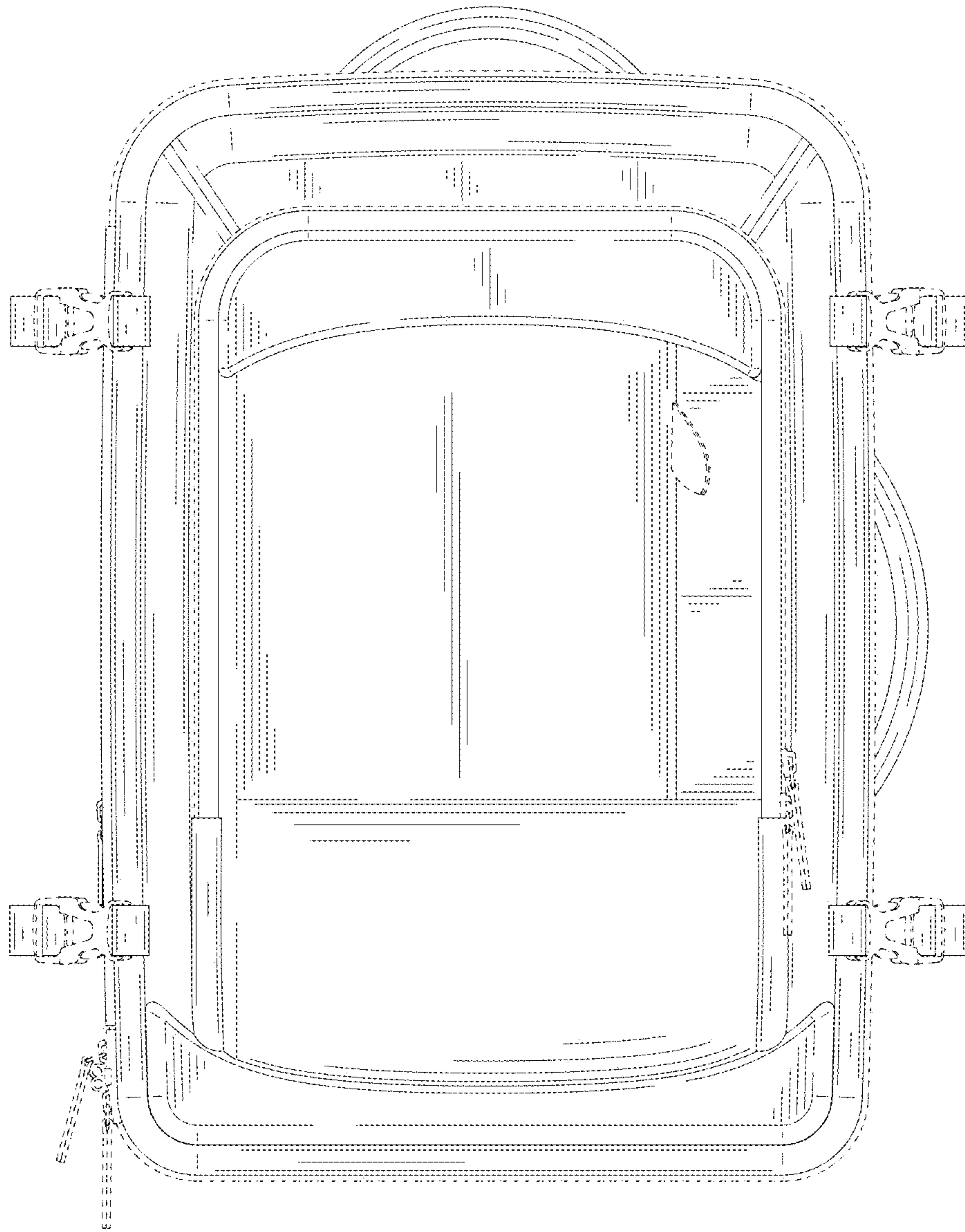


FIG.3

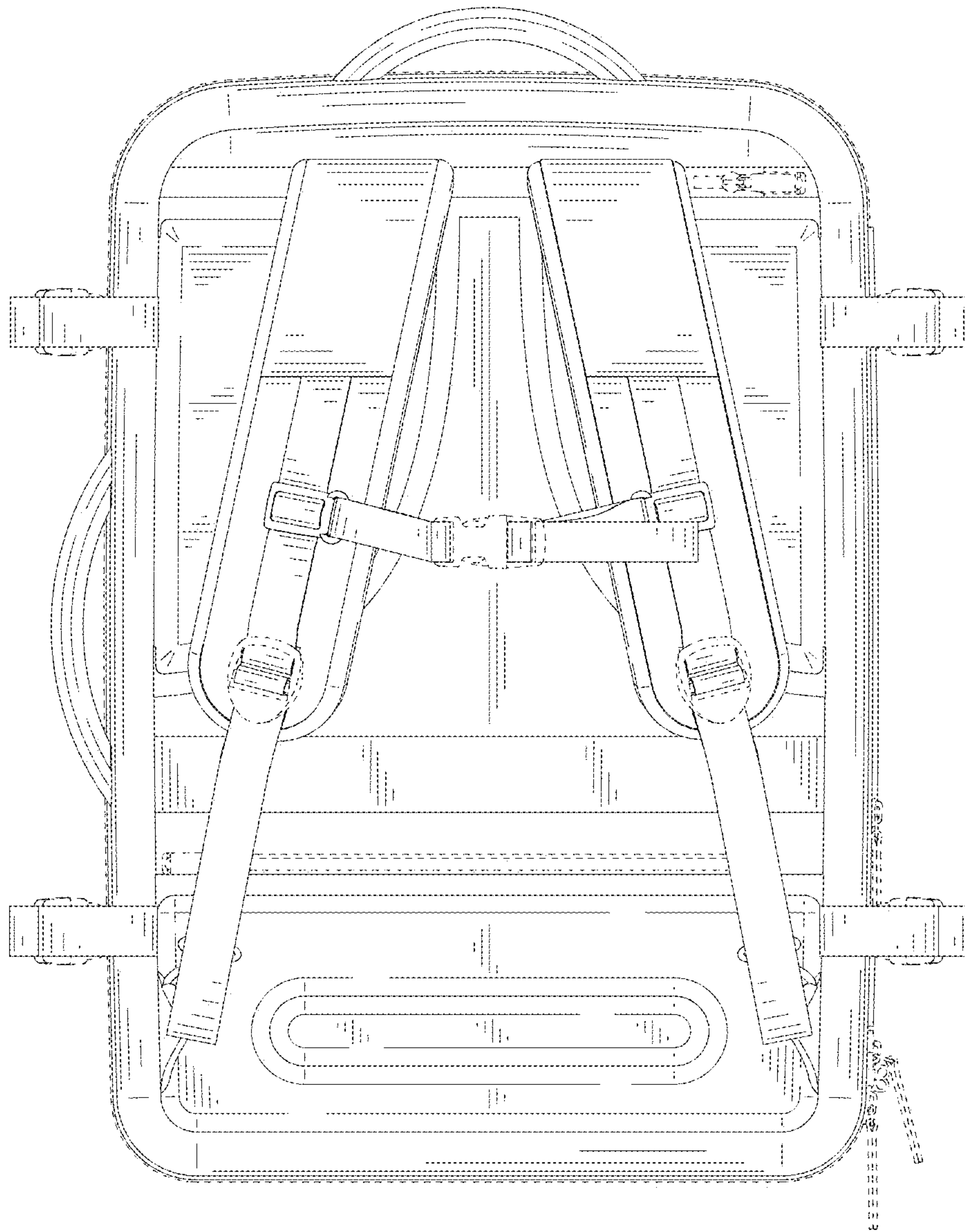


FIG.4

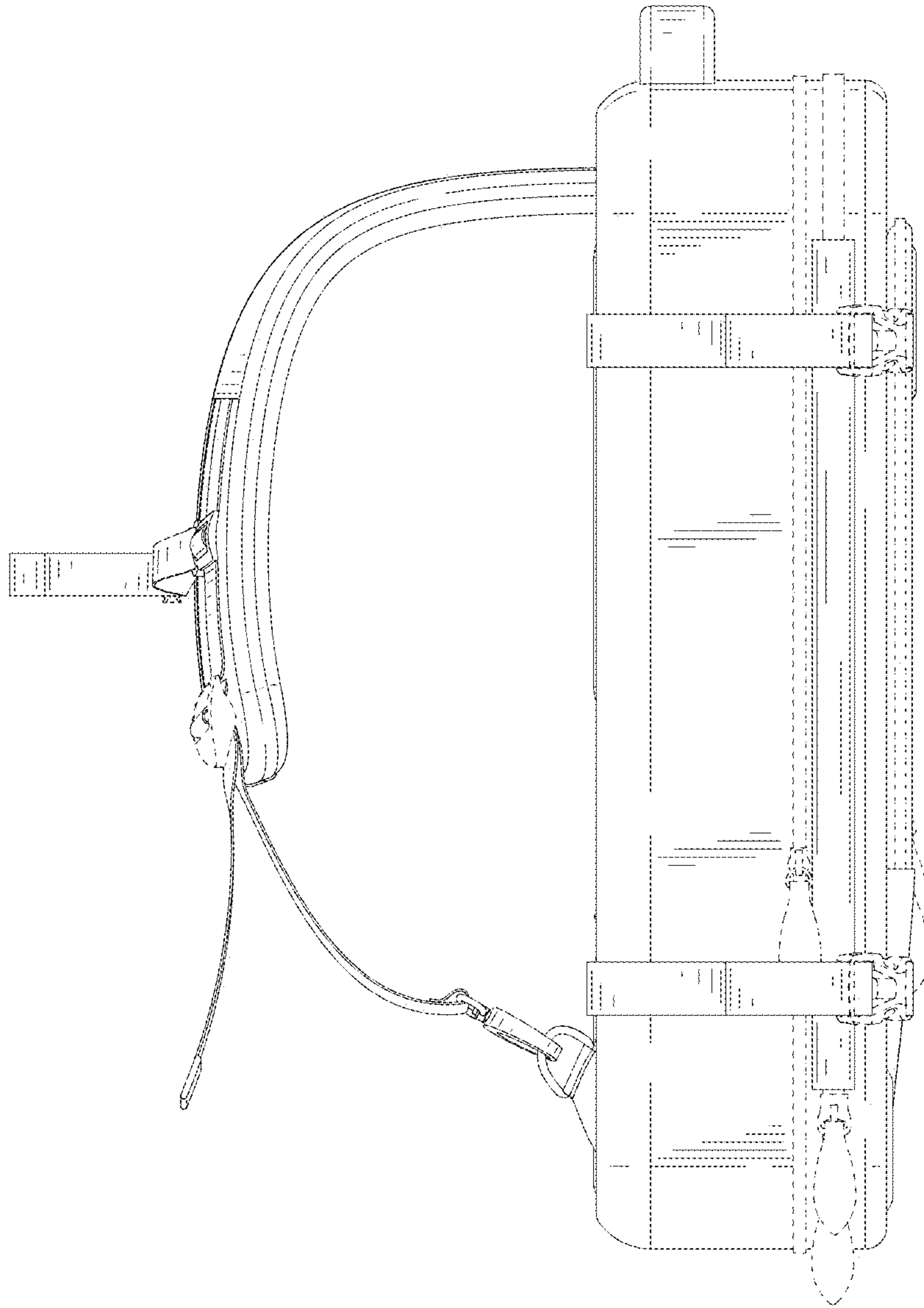


FIG.5

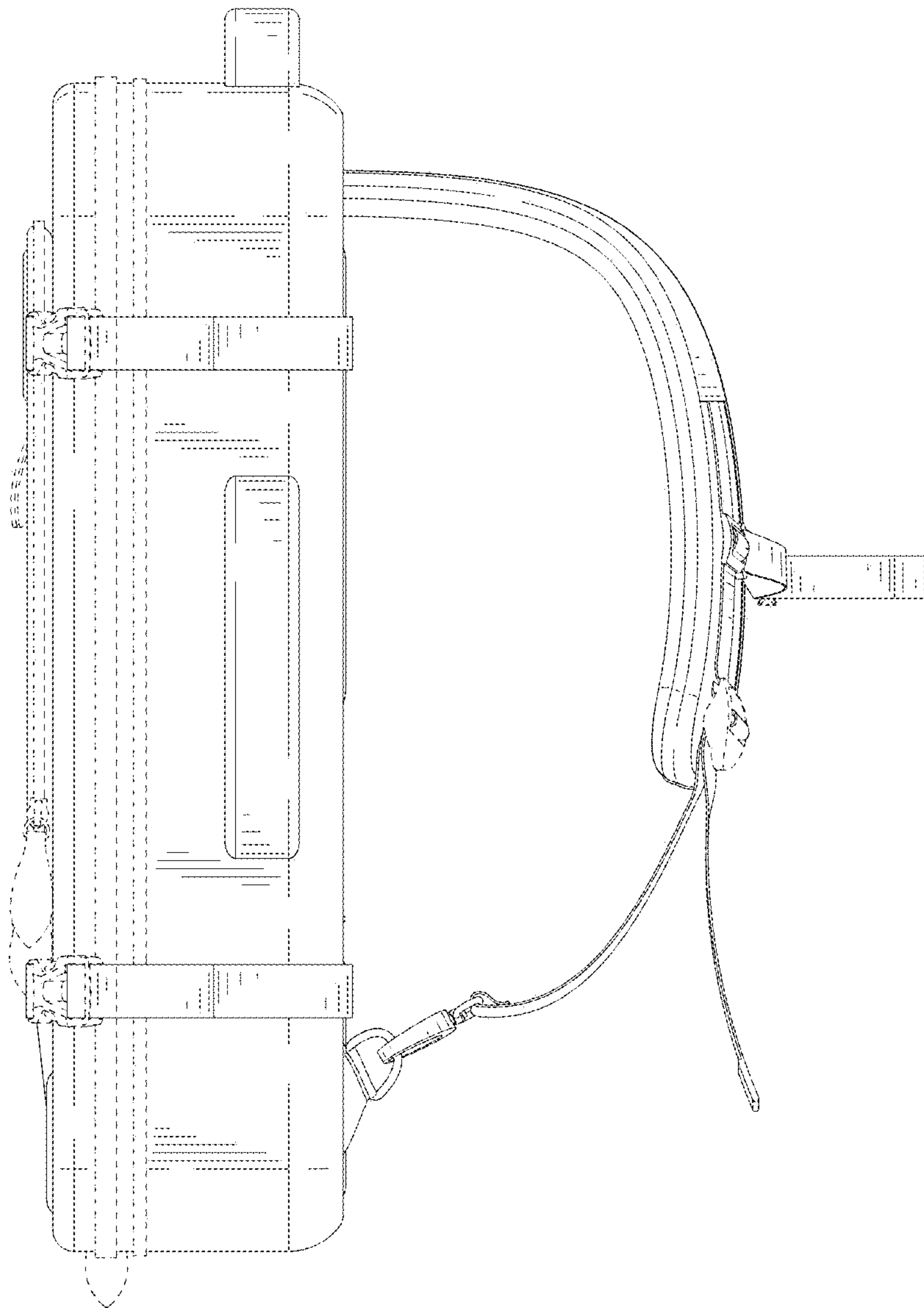


FIG.6

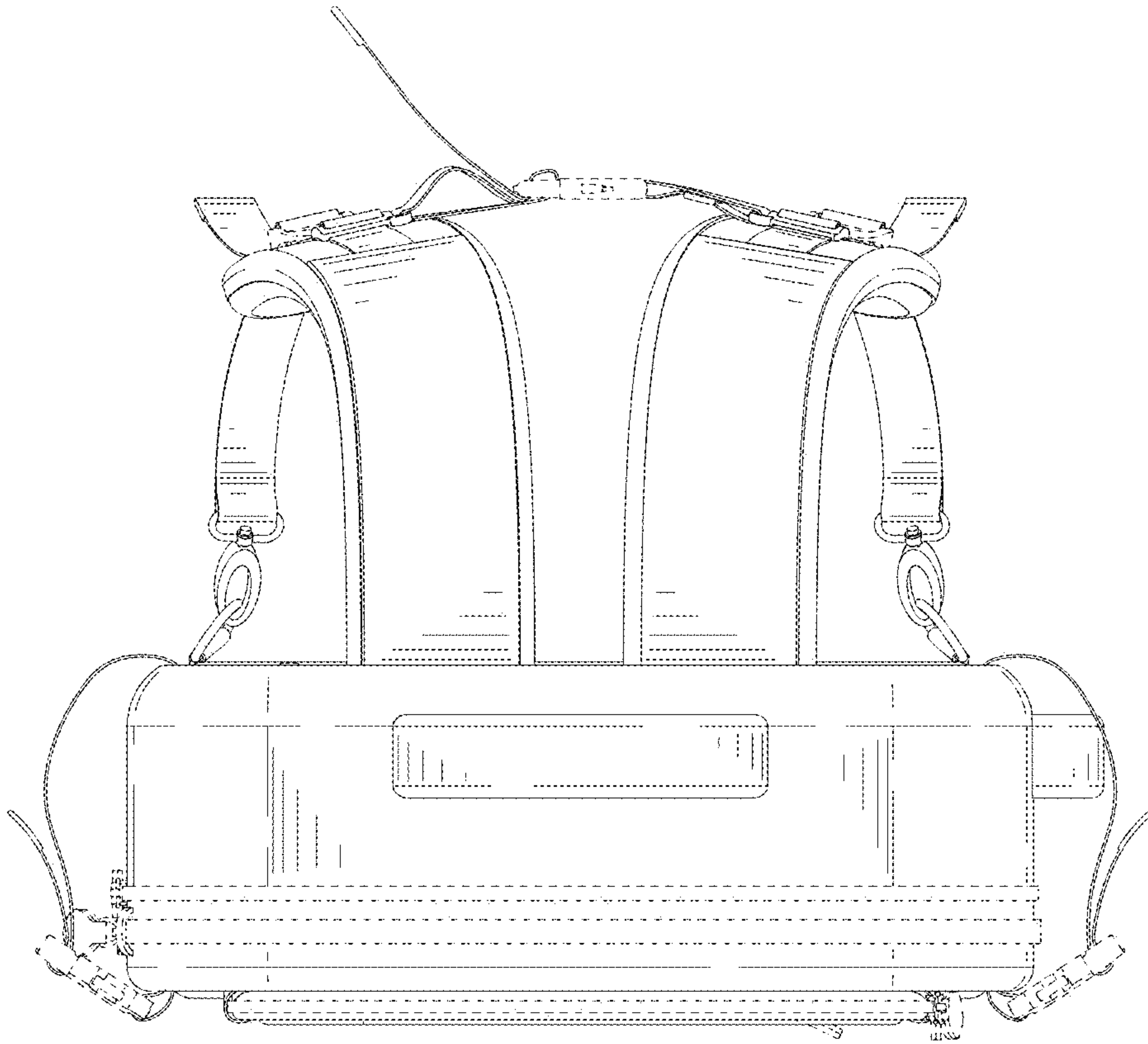


FIG.7

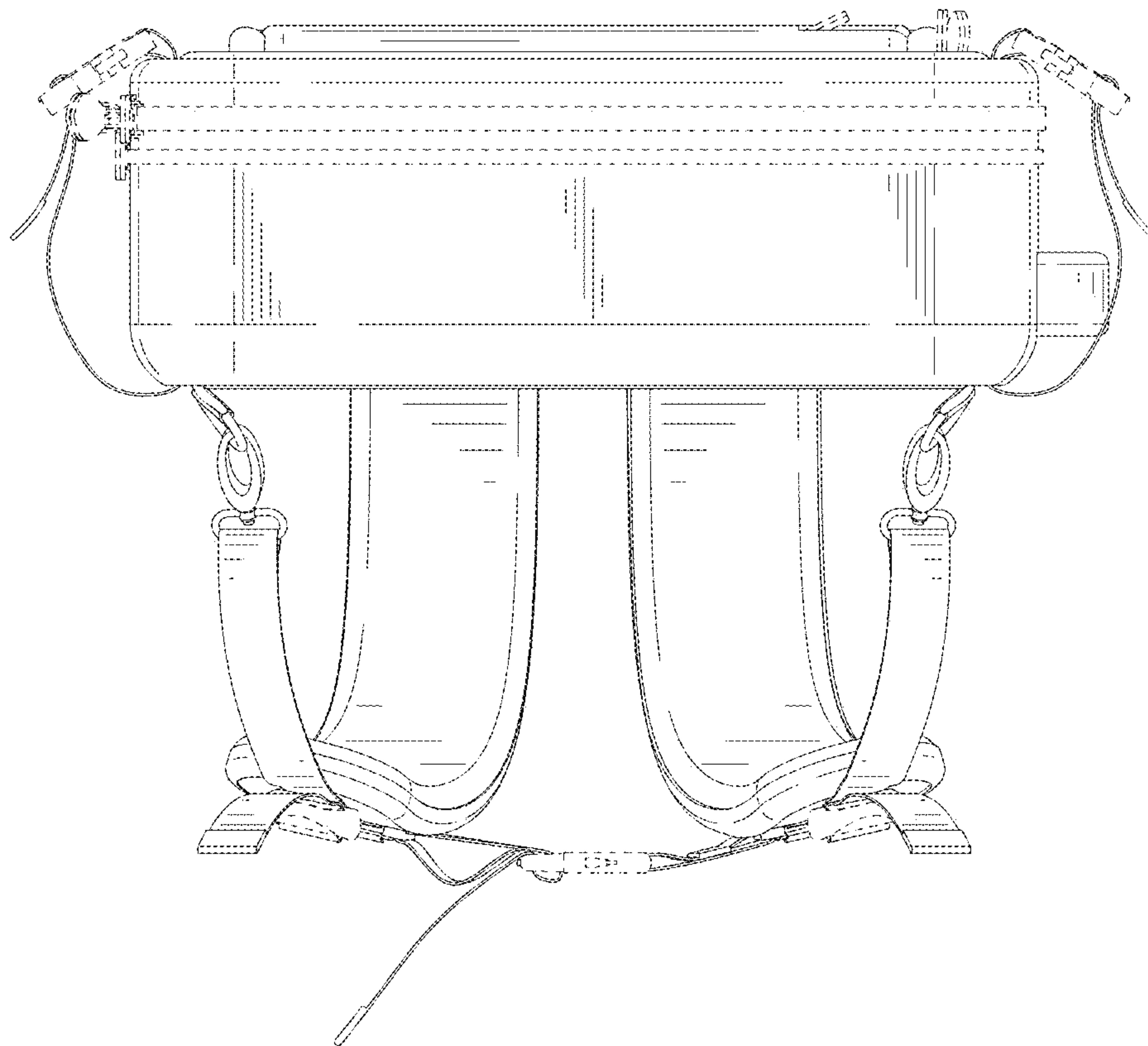


FIG.8