



US00D979929S

(12) **United States Design Patent**  
**Zheng**

(10) **Patent No.:** **US D979,929 S**  
(45) **Date of Patent:** **\*\* Mar. 7, 2023**

- (54) **POP KEYCHAIN**
- (71) Applicant: **Qin Zheng**, Wenzhou (CN)
- (72) Inventor: **Qin Zheng**, Wenzhou (CN)
- (73) Assignee: **Qin Zheng**, Wenzhou (CN)
- (\*\*) Term: **15 Years**
- (21) Appl. No.: **29/842,812**
- (22) Filed: **Jun. 16, 2022**
- (51) **LOC (14) Cl.** ..... **03-01**
- (52) **U.S. Cl.**  
USPC ..... **D3/207**  
CPC ..... **A44B 15/00** (2013.01)
- (58) **Field of Classification Search**  
USPC ..... D3/201, 207, 208, 209, 210, 211, 212  
CPC ..... B63B 21/20; B63B 22/22; A44B 15/005;  
A45F 5/021; A45F 2200/0558  
See application file for complete search history.

D666,807	S	*	9/2012	Telge	.....	D3/209
D794,322	S	*	8/2017	Wasankari	.....	D3/211
D862,067	S	*	10/2019	Feng	.....	D3/207
D892,493	S	*	8/2020	Carson	.....	D3/207
D908,354	S	*	1/2021	Kim	.....	D3/264
D908,355	S	*	1/2021	Kim	.....	D3/264
D913,692	S	*	3/2021	Kim	.....	D3/264
D924,722	S	*	7/2021	Deng	.....	D21/468
D926,075	S	*	7/2021	Deng	.....	D21/468
D933,515	S	*	10/2021	Wu	.....	D11/79
D934,109	S	*	10/2021	May	.....	D11/79
D934,817	S	*	11/2021	Svärd	.....	D13/168
D943,270	S	*	2/2022	Carson	.....	D3/207
D947,061	S	*	3/2022	Deng	.....	D21/468
D962,632	S	*	9/2022	Liu	.....	D10/104.1
D964,193	S	*	9/2022	Deng	.....	D10/74
2003/0033738	A1	*	2/2003	Lii	.....	A44B 15/005 40/364
2003/0155997	A1	*	8/2003	Thibideau	.....	B25B 9/00 335/207

(Continued)

*Primary Examiner* — Richard E Chilcot  
(74) *Attorney, Agent, or Firm* — Nitin Kaushik

(56) **References Cited**

U.S. PATENT DOCUMENTS

3,503,235	A	*	3/1970	Field	.....	A44B 15/002 70/456 R
3,589,155	A	*	6/1971	Kamp	.....	A44B 15/00 70/459
3,599,457	A	*	8/1971	Kamp	.....	A44B 15/00 70/459
3,913,362	A	*	10/1975	Goessling	.....	A44B 15/00 70/459
D247,995	S	*	5/1978	Lage	.....	D3/211
5,501,089	A	*	3/1996	Song	.....	A44B 15/00 70/459
6,244,430	B1	*	6/2001	Travis	.....	A45C 11/005 206/5.1
D506,605	S	*	6/2005	Turner	.....	D3/207
D507,867	S	*	8/2005	Turner	.....	D3/207
7,463,134	B1	*	12/2008	Stilley	.....	A45C 11/18 340/5.61

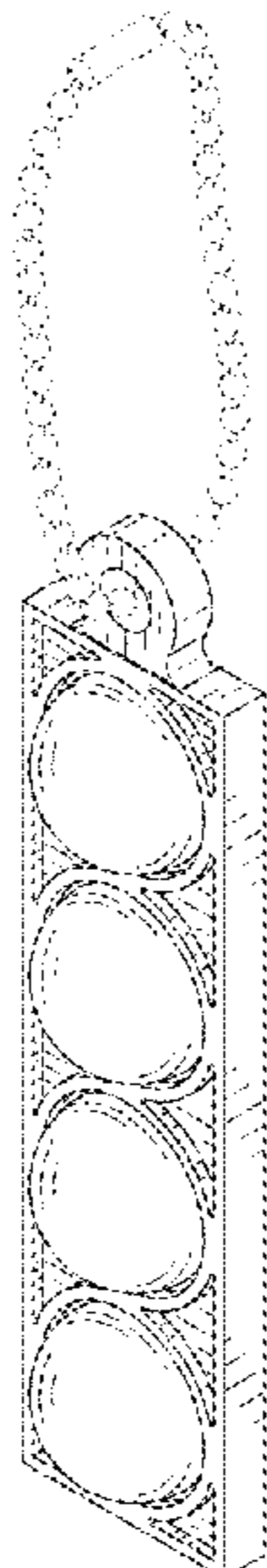
(57) **CLAIM**

The ornamental design for a pop keychain, as shown and described.

**DESCRIPTION**

FIG. 1 is a front perspective view of a pop keychain, showing my new design;  
FIG. 2 is a front view thereof;  
FIG. 3 is a rear view thereof;  
FIG. 4 is a right side view thereof;  
FIG. 5 is a left side view thereof;  
FIG. 6 is a top view thereof; and,  
FIG. 7 is a bottom view thereof.  
The broken lines in the drawings illustrate the portions of the pop keychain, which form no part of the claimed design.

**1 Claim, 7 Drawing Sheets**



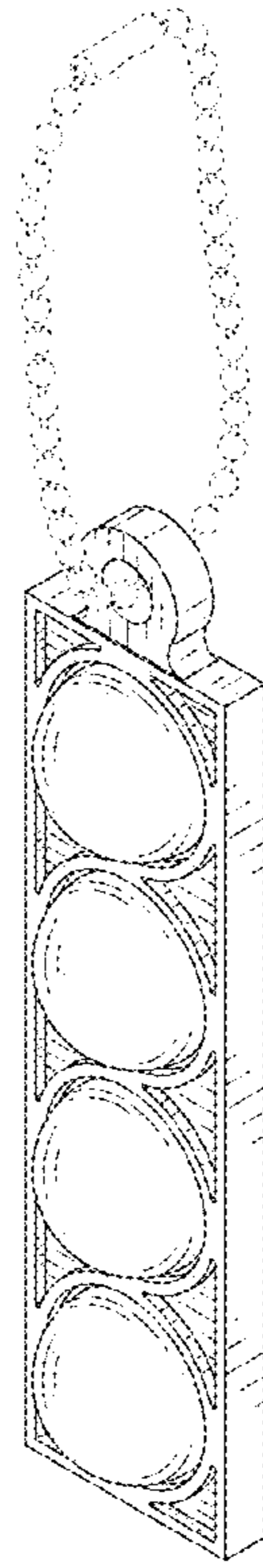
(56)

**References Cited**

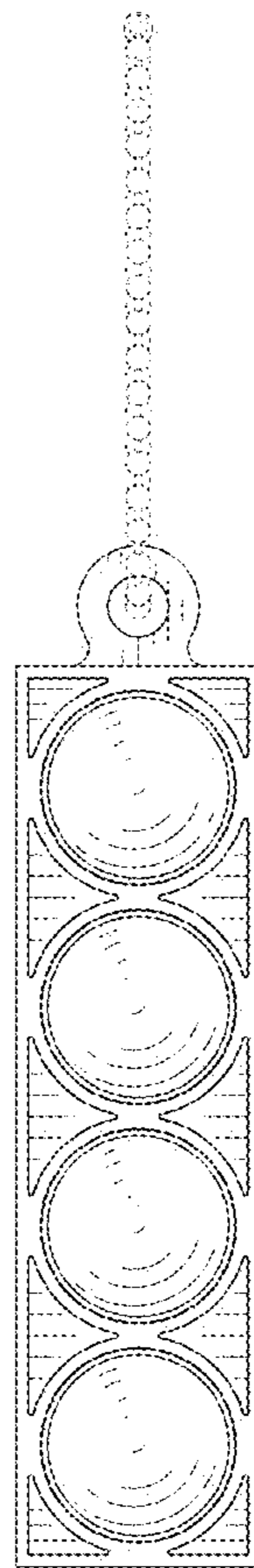
U.S. PATENT DOCUMENTS

2007/0151315 A1\* 7/2007 Vincent ..... A44B 15/005  
70/456 R  
2008/0261188 A1\* 10/2008 Tobin ..... A47G 33/00  
434/246  
2014/0173858 A1\* 6/2014 Wu ..... A44B 11/25  
24/586.11  
2016/0374437 A1\* 12/2016 King ..... B63B 21/20  
441/9  
2017/0227202 A1\* 8/2017 Ma ..... F21V 33/0004  
2020/0329854 A1\* 10/2020 Chartrand ..... A44B 15/005

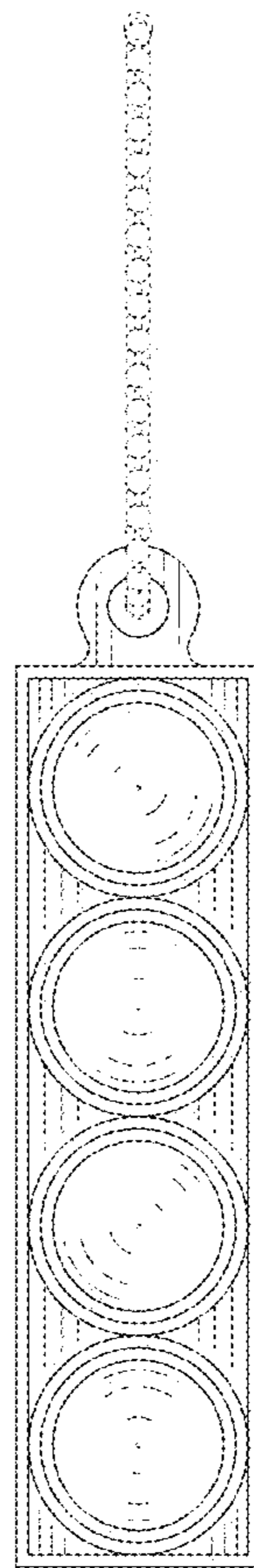
\* cited by examiner



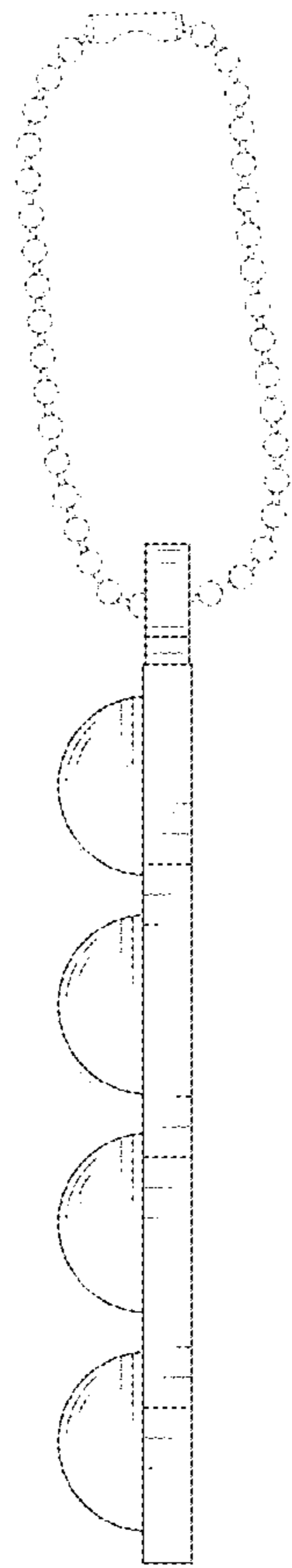
**FIG. 1**



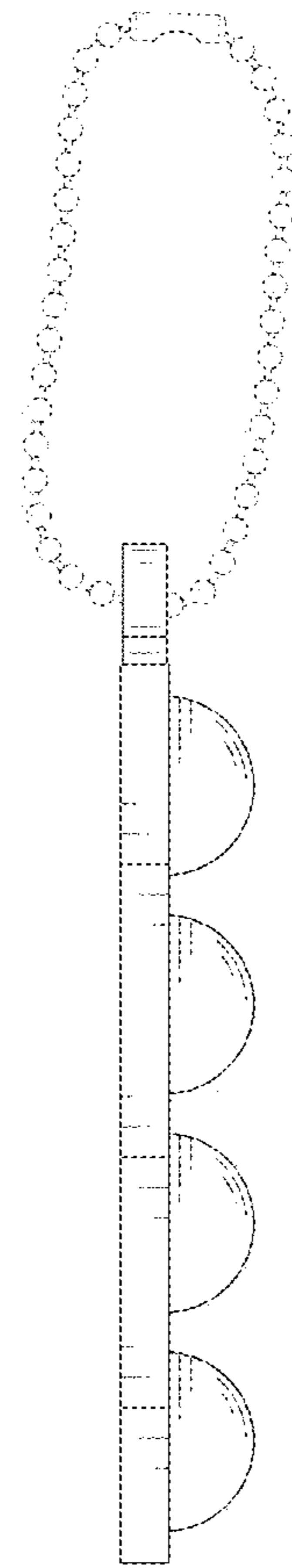
**FIG. 2**



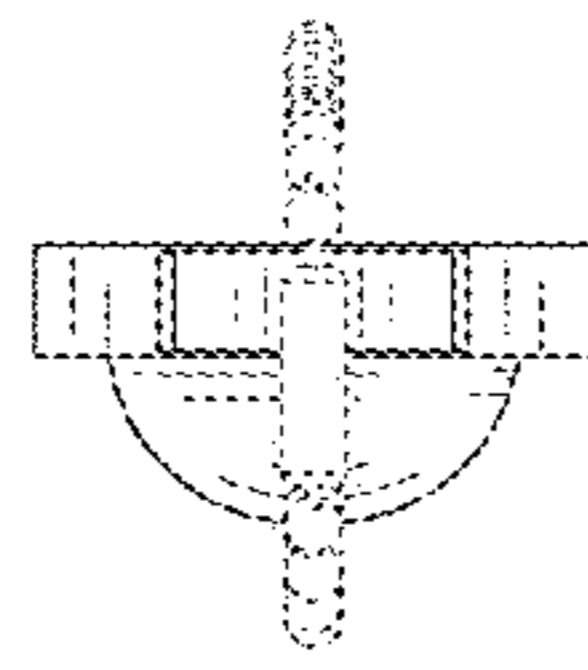
**FIG. 3**



**FIG. 4**

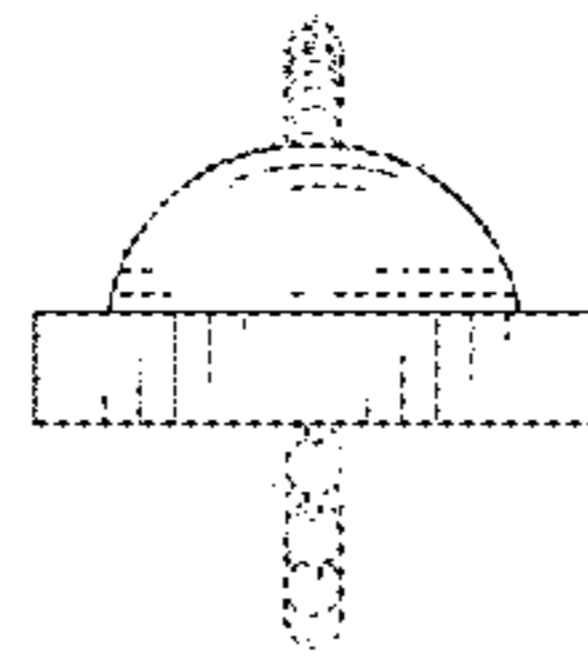


**FIG. 5**



**FIG. 6**





**FIG. 7**