



US00D979928S

(12) **United States Design Patent**
Ronfeld

(10) **Patent No.:** **US D979,928 S**
(45) **Date of Patent:** **** Mar. 7, 2023**

(54) **RING KEEPER**
(71) Applicant: **Dawn Ronfeld**, Burlington (CA)
(72) Inventor: **Dawn Ronfeld**, Burlington (CA)
(**) Term: **15 Years**
(21) Appl. No.: **29/776,925**

D915,865 S * 4/2021 Choi D13/136
D944,217 S * 2/2022 Lu D13/168
D952,581 S * 5/2022 Wang D13/168

FOREIGN PATENT DOCUMENTS

CN 3165943 * 11/2000
EM 004086387-000 * 3/2019
GB 8203313000-50 * 1/2019
WO WO-D079128-013 * 10/2012

(Continued)

(22) Filed: **Apr. 1, 2021**
(51) **LOC (14) Cl.** **03-01**
(52) **U.S. Cl.**
USPC **D3/207**
(58) **Field of Classification Search**
USPC D3/204, 207-212, 222, 234, 248, 270,
D3/271.1, 271.2, 271.9, 271.11, 271.22,
D3/325, 232, 252, 289, 301
CPC A45C 11/32; A45C 11/321; A44C 5/0038;
A45F 5/00; A45F 5/021; A45F 5/02;
A45F 2200/0558; A45F 2005/006
See application file for complete search history.

OTHER PUBLICATIONS

Dherese ring keeper, posted at dherese.com, first available Nov. 27, 2020, retrieved Sep. 1, 2022, online, <https://dherese.com/products/the-ring-keeper#shopify-product-reviews> (Year: 2020).*

(Continued)

Primary Examiner — Mary Shannon Malley
Assistant Examiner — Dustin Andrew Griffith
(74) *Attorney, Agent, or Firm* — Pharar Patents & Intellectual Property; Andrew A. Pharar

(56) **References Cited**

U.S. PATENT DOCUMENTS

D382,704 S * 8/1997 Petruzzi D3/207
D435,385 S * 12/2000 Eskandry D6/633
D461,047 S * 8/2002 Peterson D3/208
D484,731 S * 1/2004 Tung D3/273
D517,364 S * 3/2006 Nieves D6/634
D690,664 S * 10/2013 Chen D13/168
D698,679 S * 2/2014 Lindley D10/106.9
D708,435 S * 7/2014 Davis D3/212
D725,607 S * 3/2015 Kandler D13/168
D734,607 S * 7/2015 Leetz D3/207
D779,202 S * 2/2017 Xia D3/289
D797,449 S * 9/2017 Peng D3/301
D801,040 S * 10/2017 Peng D3/217
D840,149 S * 2/2019 Lemaire D3/240
D846,279 S * 4/2019 Oakley D3/301
D887,130 S * 6/2020 Pham D3/232

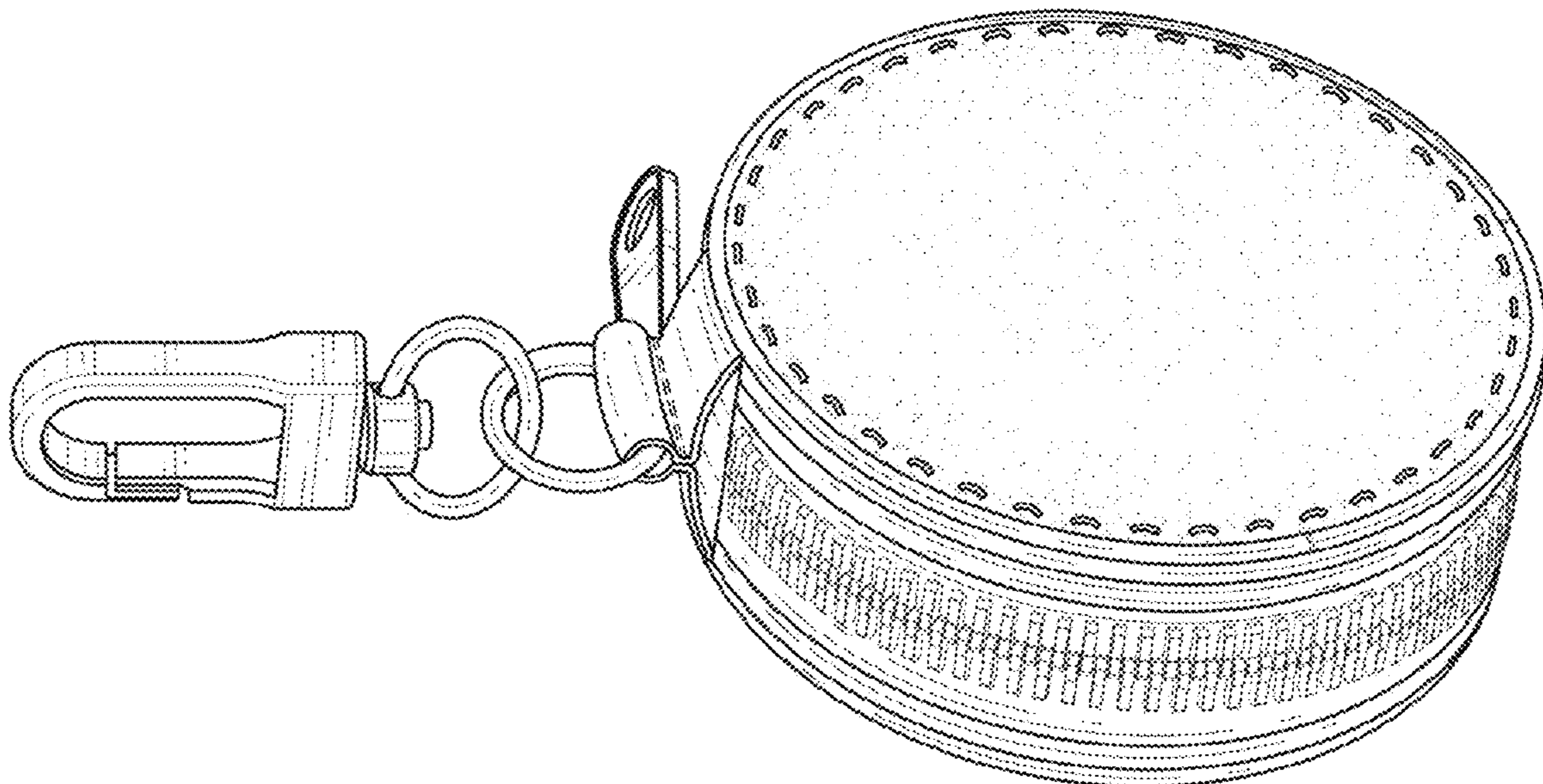
(57) **CLAIM**

The ornamental design for a ring keeper, as shown and described.

DESCRIPTION

FIG. 1 is an isometric perspective view of a ring keeper; FIG. 2 is a front elevation view thereof; FIG. 3 is a rear elevation view thereof; FIG. 4 is a left side elevation view thereof; FIG. 5 is a right side elevation view thereof; FIG. 6 is a top plan view thereof; and, FIG. 7 is a bottom plan view thereof. The dash-dash lines depict stitching that does form part of the claimed design.

1 Claim, 5 Drawing Sheets



(56)

References Cited

FOREIGN PATENT DOCUMENTS

WO WO-D079128-014 * 10/2012

OTHER PUBLICATIONS

Our Toronto Invention Design, posted at <https://www.makodesign.com>, first available Nov. 30, 2020, retrieved Sep. 1, 2022, online, <https://www.makodesign.com/blog/2020/11/30/ring-keeper-toronto-invention-design-studio/> (Year: 2020).*

* cited by examiner

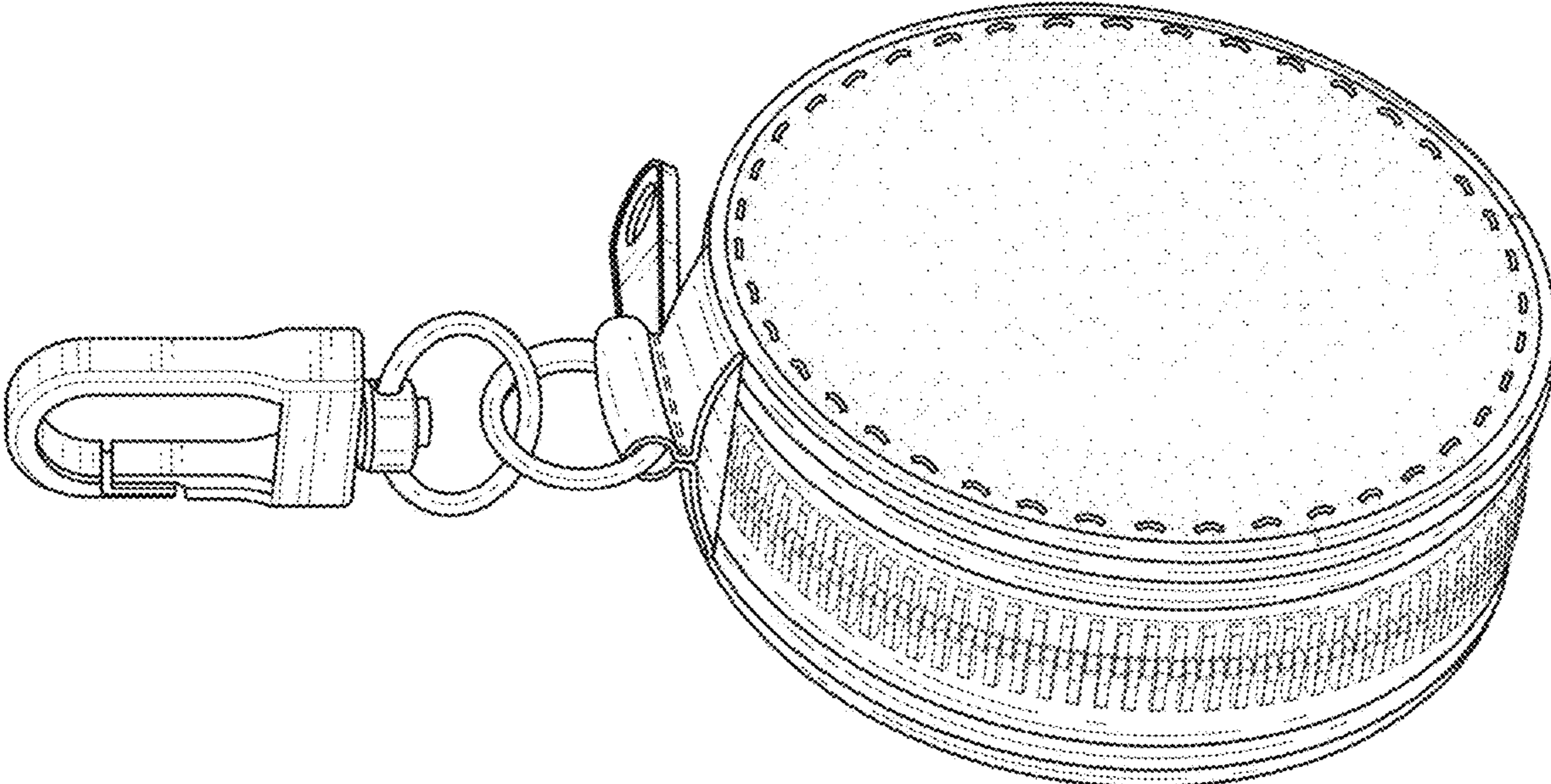


FIG. 1

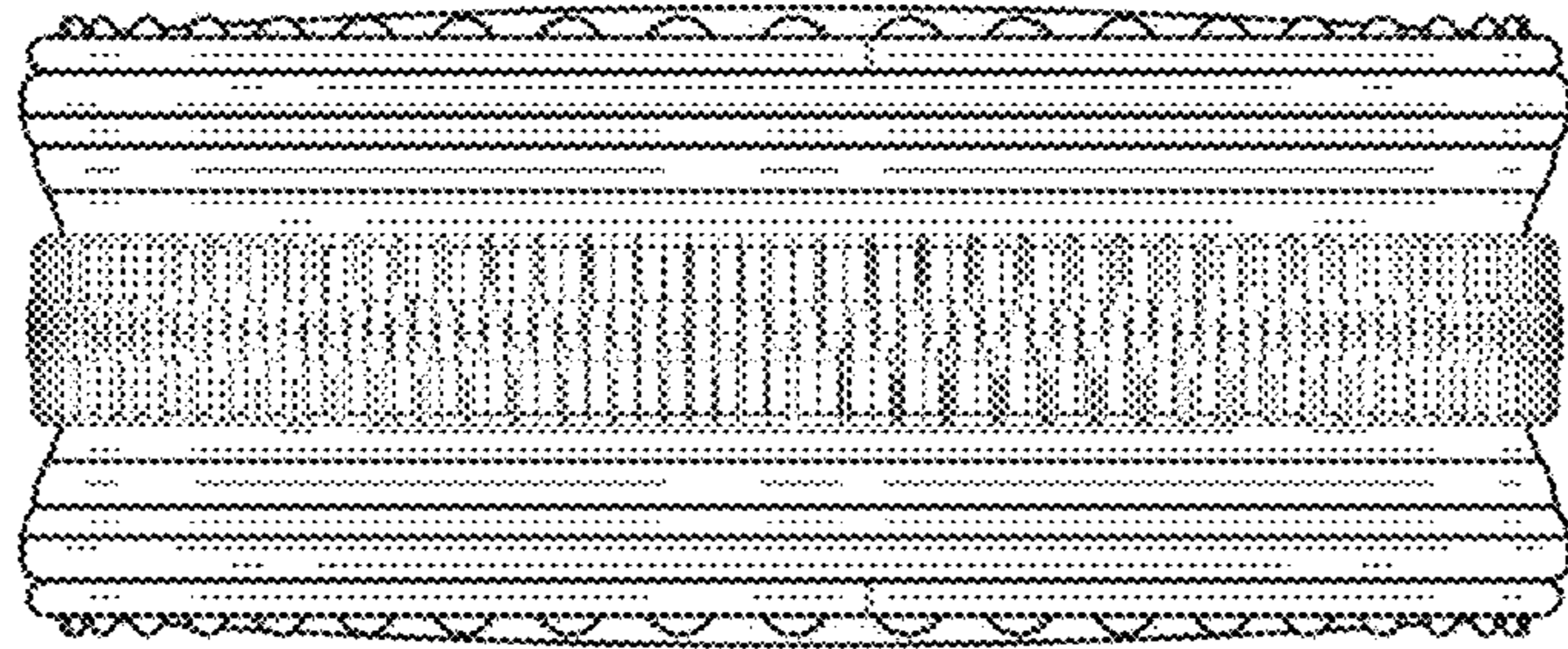


FIG. 2

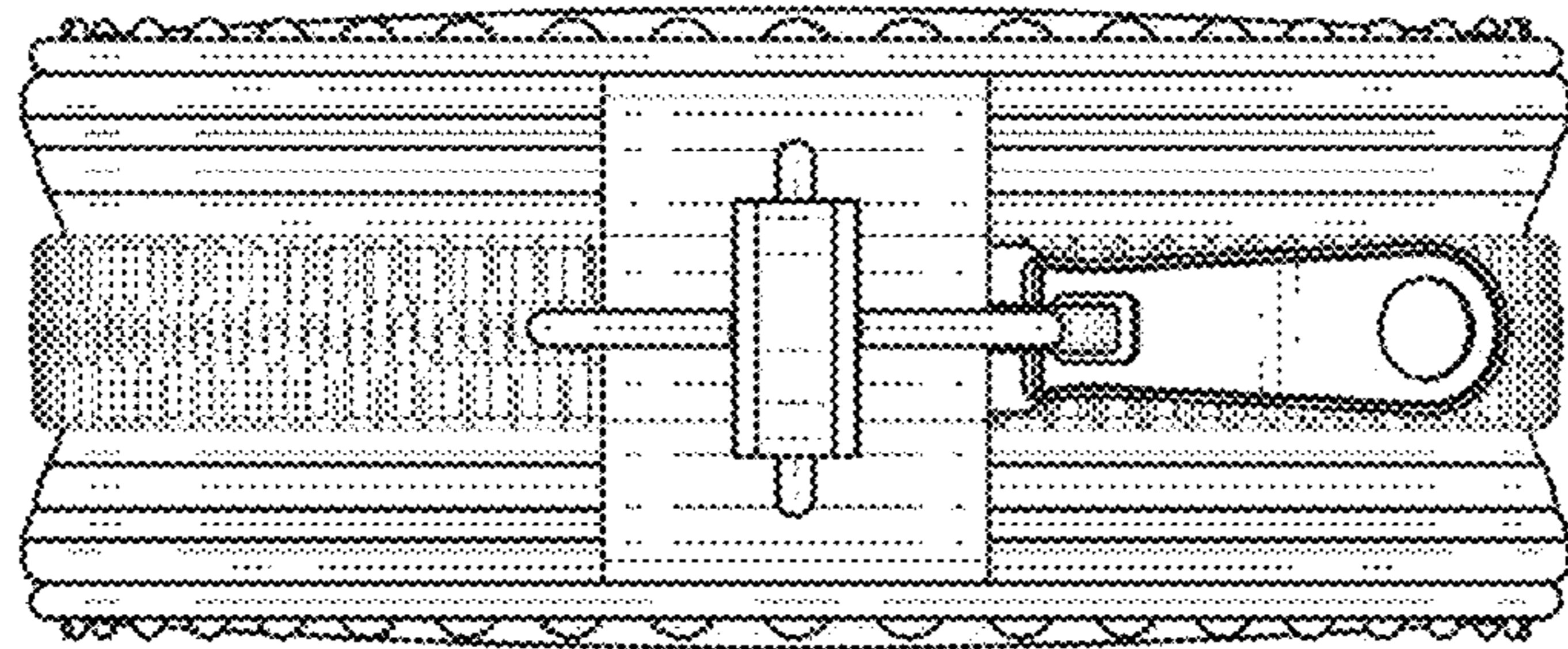


FIG. 3

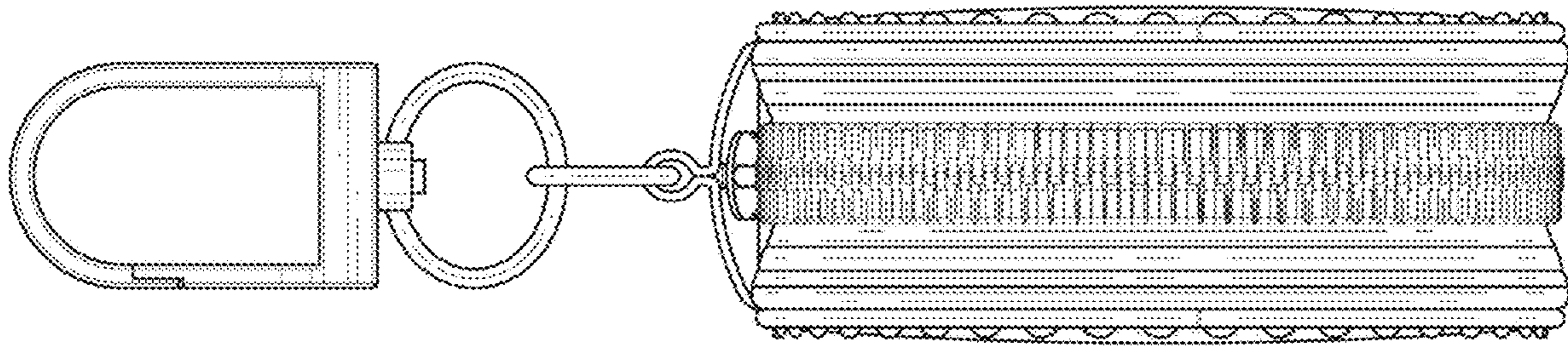


FIG. 4

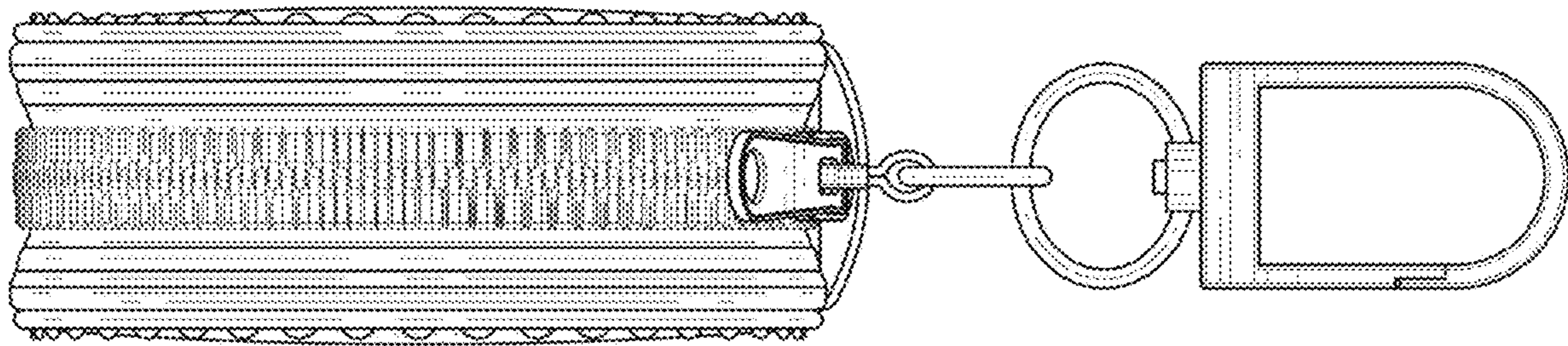


FIG. 5

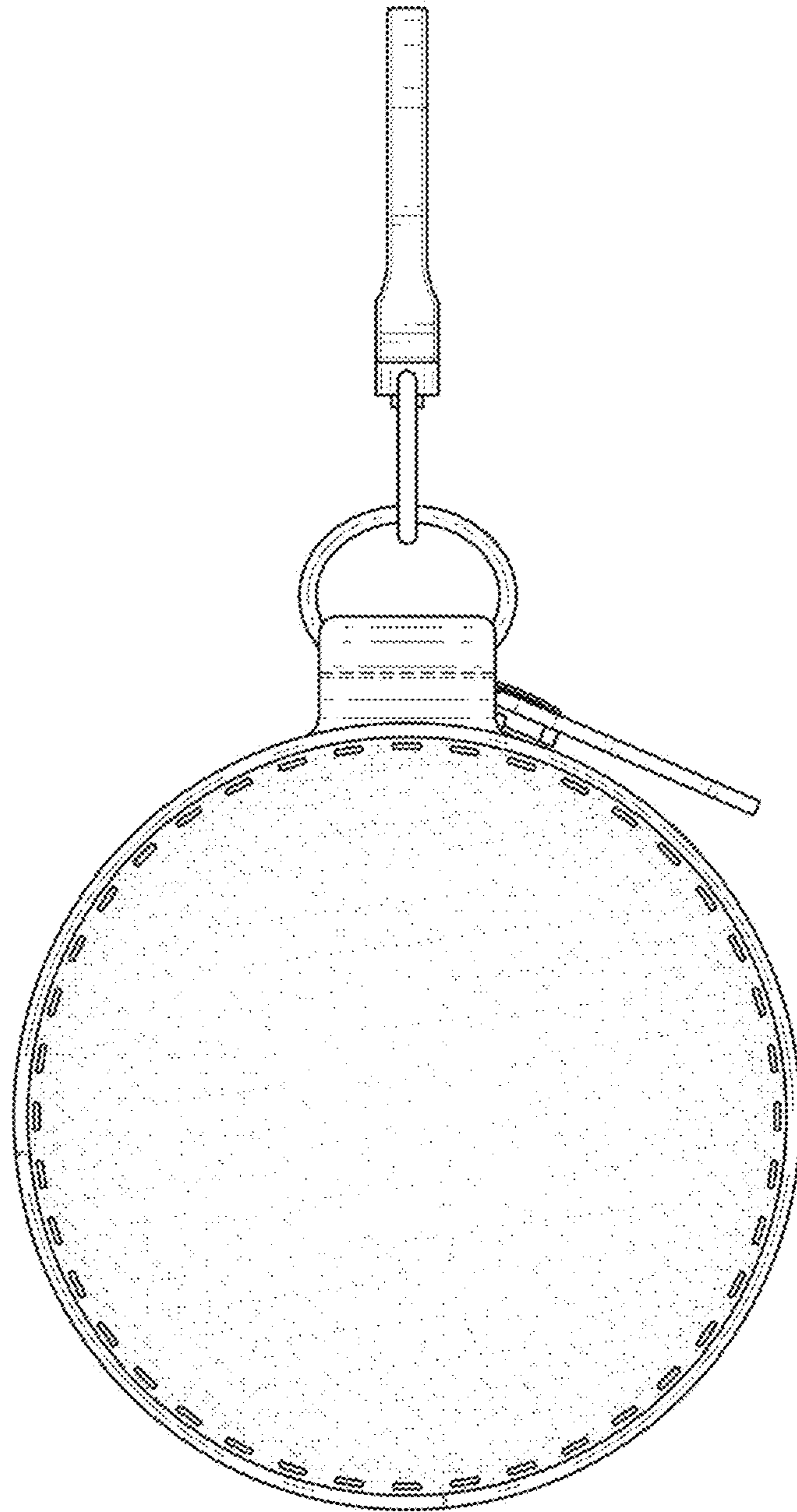


FIG. 6

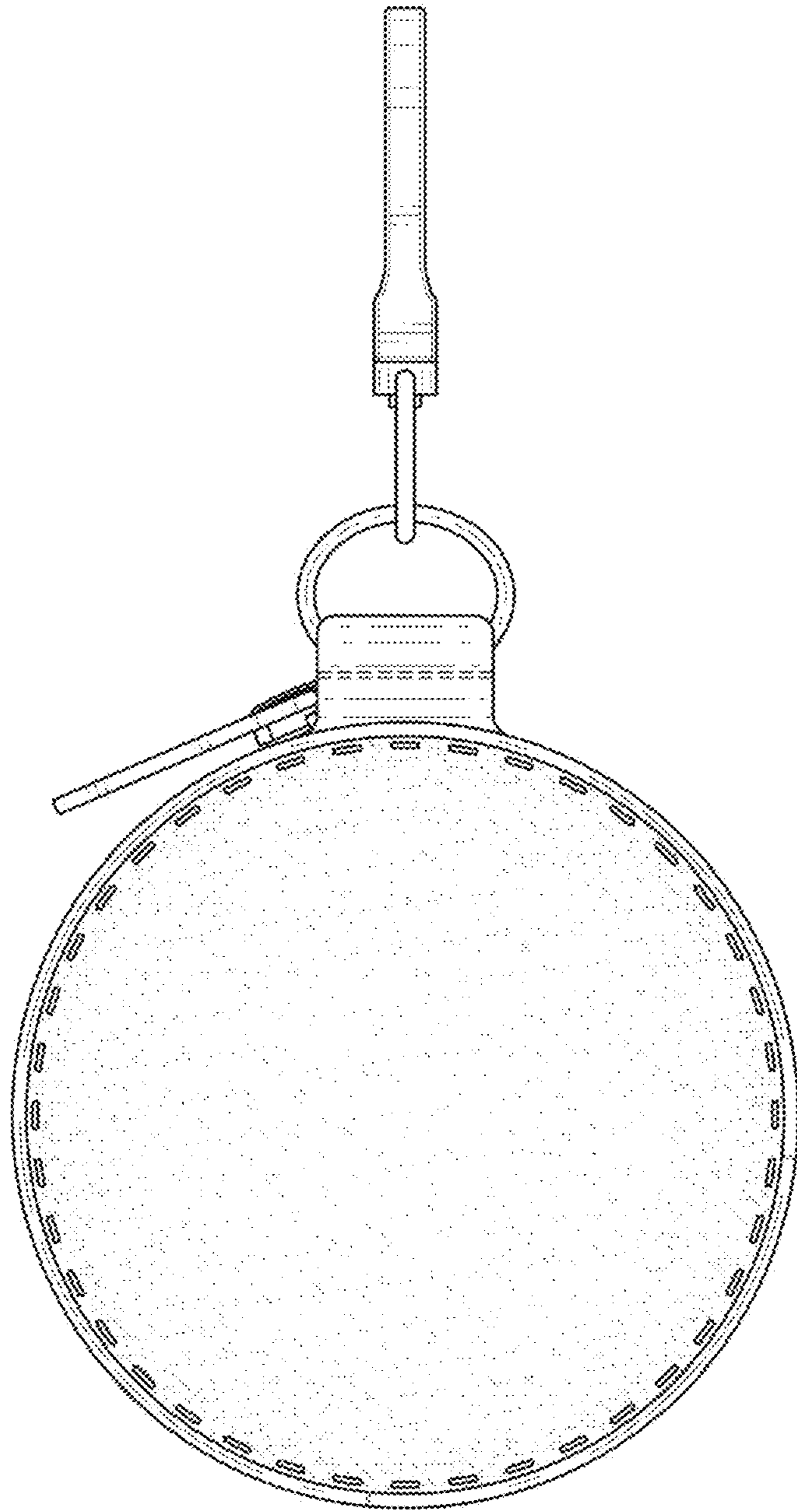


FIG. 7