



US00D979926S

(12) **United States Design Patent**
Bice

(10) **Patent No.:** **US D979,926 S**

(45) **Date of Patent:** **** Mar. 7, 2023**

(54) **MOUNTABLE GUITAR PICK CASE**

(71) Applicant: **Miles Bice**, Henderson, NV (US)

(72) Inventor: **Miles Bice**, Henderson, NV (US)

(**) Term: **15 Years**

(21) Appl. No.: **29/754,467**

(22) Filed: **Oct. 12, 2020**

(51) **LOC (14) Cl.** **03-01**

(52) **U.S. Cl.**

USPC **D3/204**; D17/20

(58) **Field of Classification Search**

USPC D3/204, 215–217, 220, 303; D17/20

CPC A45F 3/04; A45F 3/047; A45F 5/00; A45F

5/021; A45F 2200/0566; A45F 2200/055;

A45C 3/00; A45C 3/001; A45C 5/06;

A45C 11/00; A45C 11/24; A45C 11/36

See application file for complete search history.

(56) **References Cited**

U.S. PATENT DOCUMENTS

D368,800 S *	4/1996	Shink	D3/218
D374,979 S *	10/1996	Roberson	D3/217
D856,677 S *	8/2019	Gill	D3/215
D867,750 S *	11/2019	Warren	D3/217
D890,515 S *	7/2020	Oviedo Polanco	D3/216
D909,050 S *	2/2021	Bloom	D3/216
D912,973 S *	3/2021	Wang	D3/217
D923,327 S *	6/2021	Wen	D3/217
D925,906 S *	7/2021	Guerrero, II	D3/212
D953,735 S *	6/2022	Wilcox	D3/217
D957,117 S *	7/2022	Wilcox	D3/217

FOREIGN PATENT DOCUMENTS

CN	306772616	*	8/2021
GB	2054679	*	6/1996

OTHER PUBLICATIONS

PickMate—Guitar Picker Stand, first available Apr. 11, 2020, amazon.com [online], [site visited Jun. 17, 2022], Available at URL: <https://www.amazon.com/PickMate-Guitar-Pick-Holder-Black/dp/B086ZZWKQ2?th=1> (Year: 2020).*

* cited by examiner

Primary Examiner — Michelle E. Wilson

Assistant Examiner — Caitlin A Laverty

(74) *Attorney, Agent, or Firm* — Gurr Brande & Spendlove, PLLC; Robert A. Gurr

(57) **CLAIM**

The ornamental design for a mountable guitar pick case, as shown and described.

DESCRIPTION

FIG. 1 is a front, left side perspective view of the mountable guitar pick case;

FIG. 2 is a front elevation view of the mountable guitar pick case;

FIG. 3 is a rear elevation view of the mountable guitar pick case;

FIG. 4 is a left side elevation view of the mountable guitar pick case;

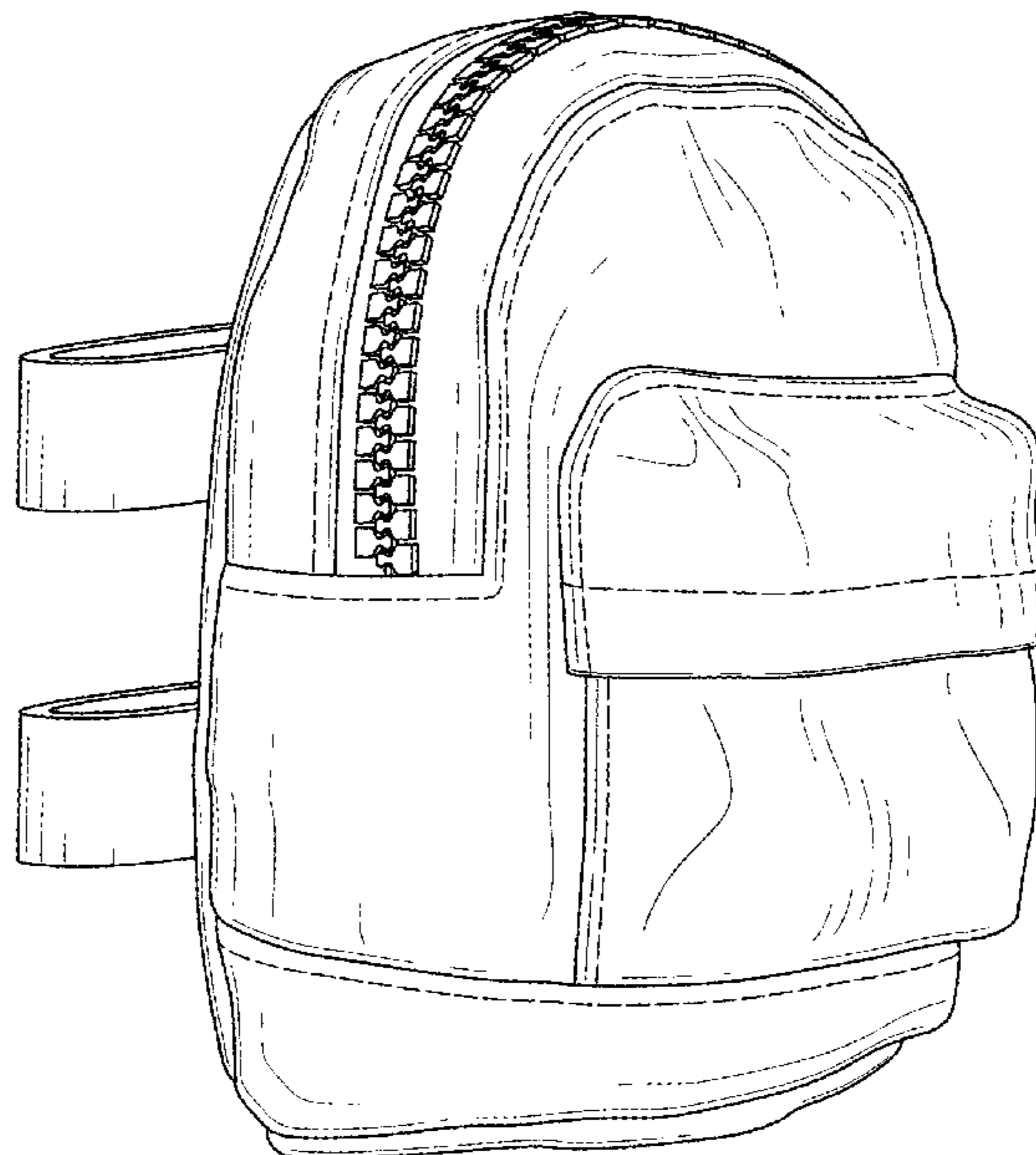
FIG. 5 is a right side elevation view of the mountable guitar pick case;

FIG. 6 is a top plan view of the mountable guitar pick case; and,

FIG. 7 is a bottom plan view of the mountable guitar pick case.

The broken lines shown in FIGS. 2, 3, and 5 are for the purpose of illustrating a patch that forms no part of the claimed design. The remainder of the broken lines showing stitching do not form part of the claimed design.

1 Claim, 7 Drawing Sheets



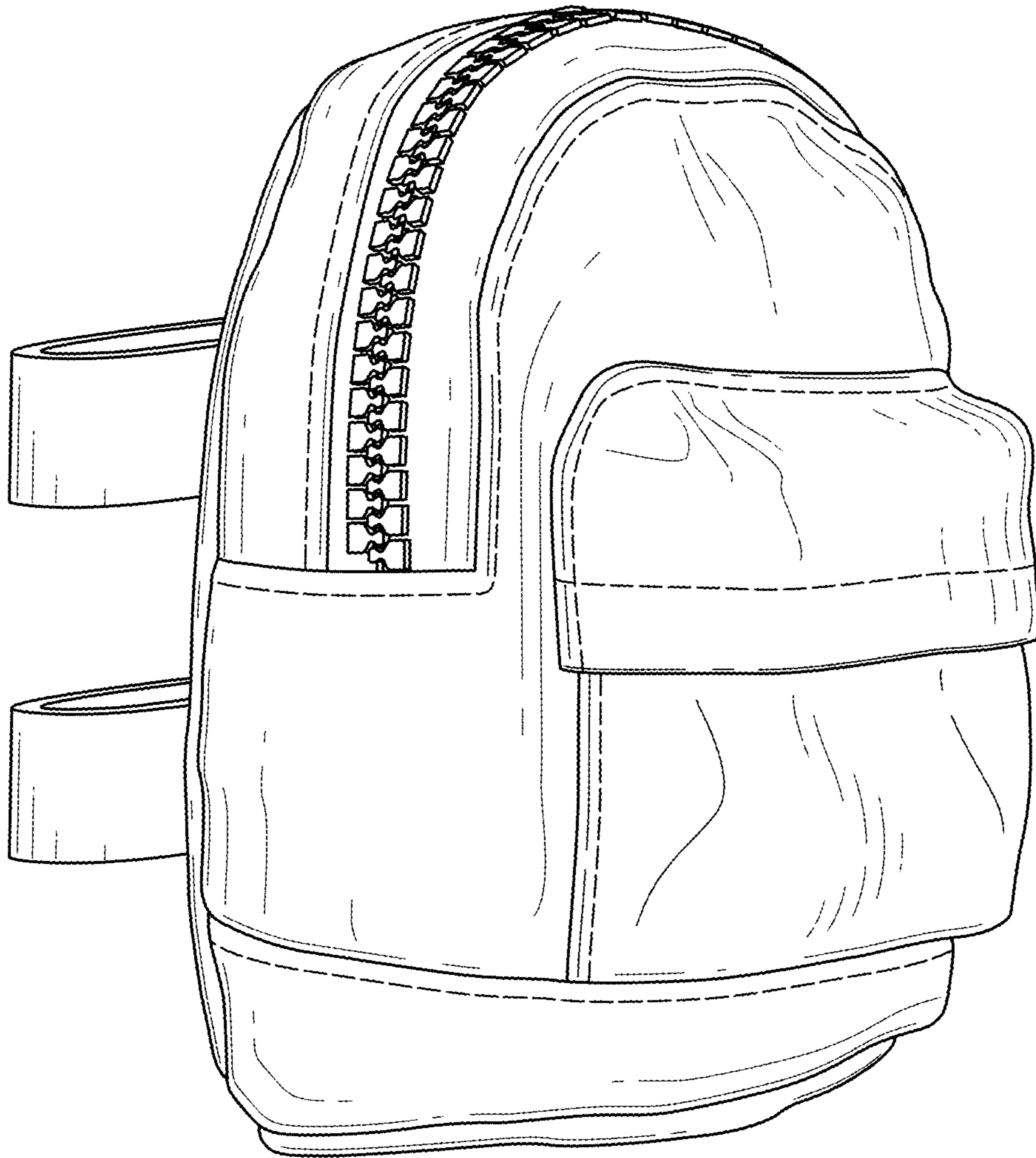


FIG. 1

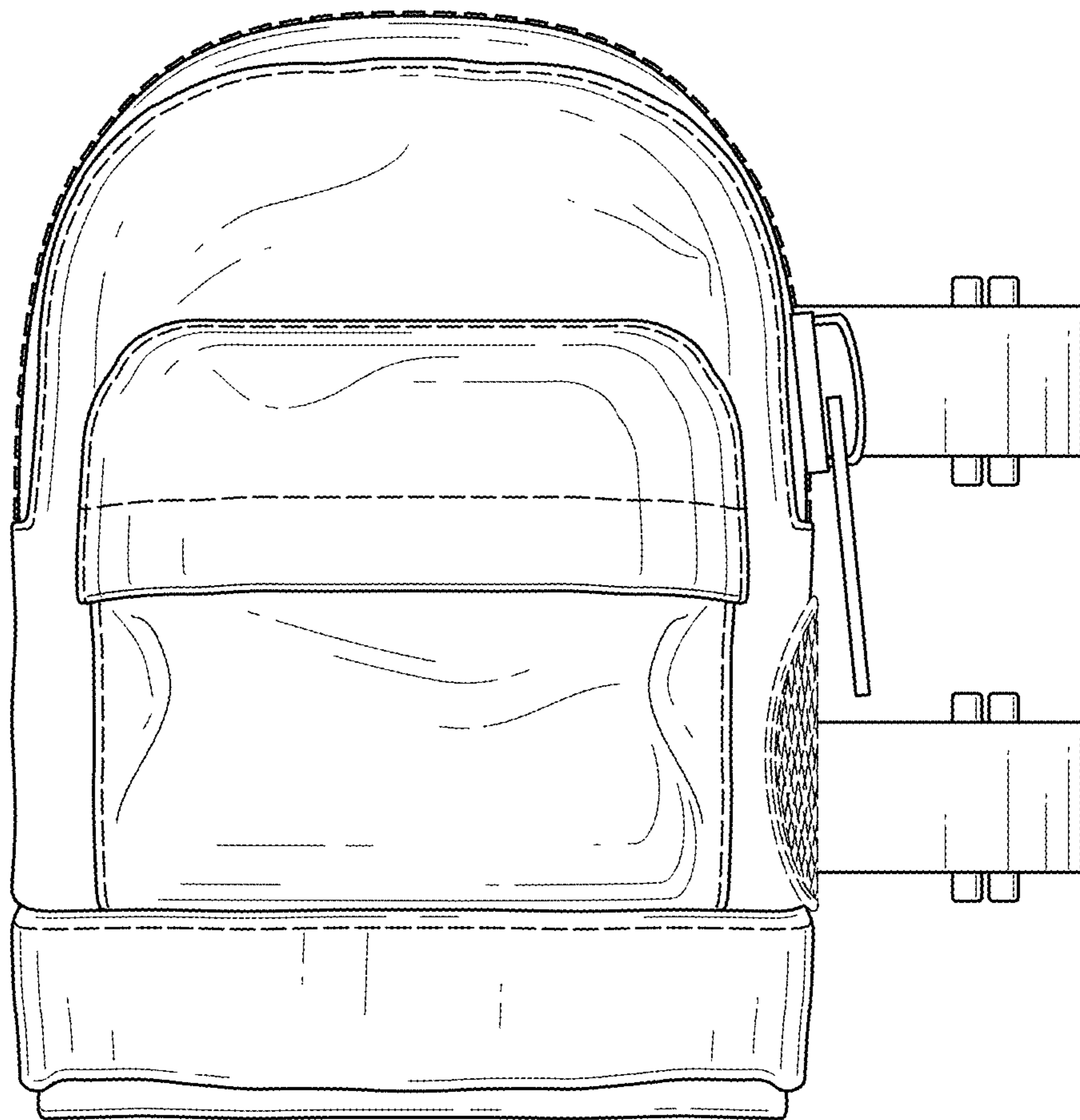


FIG. 2

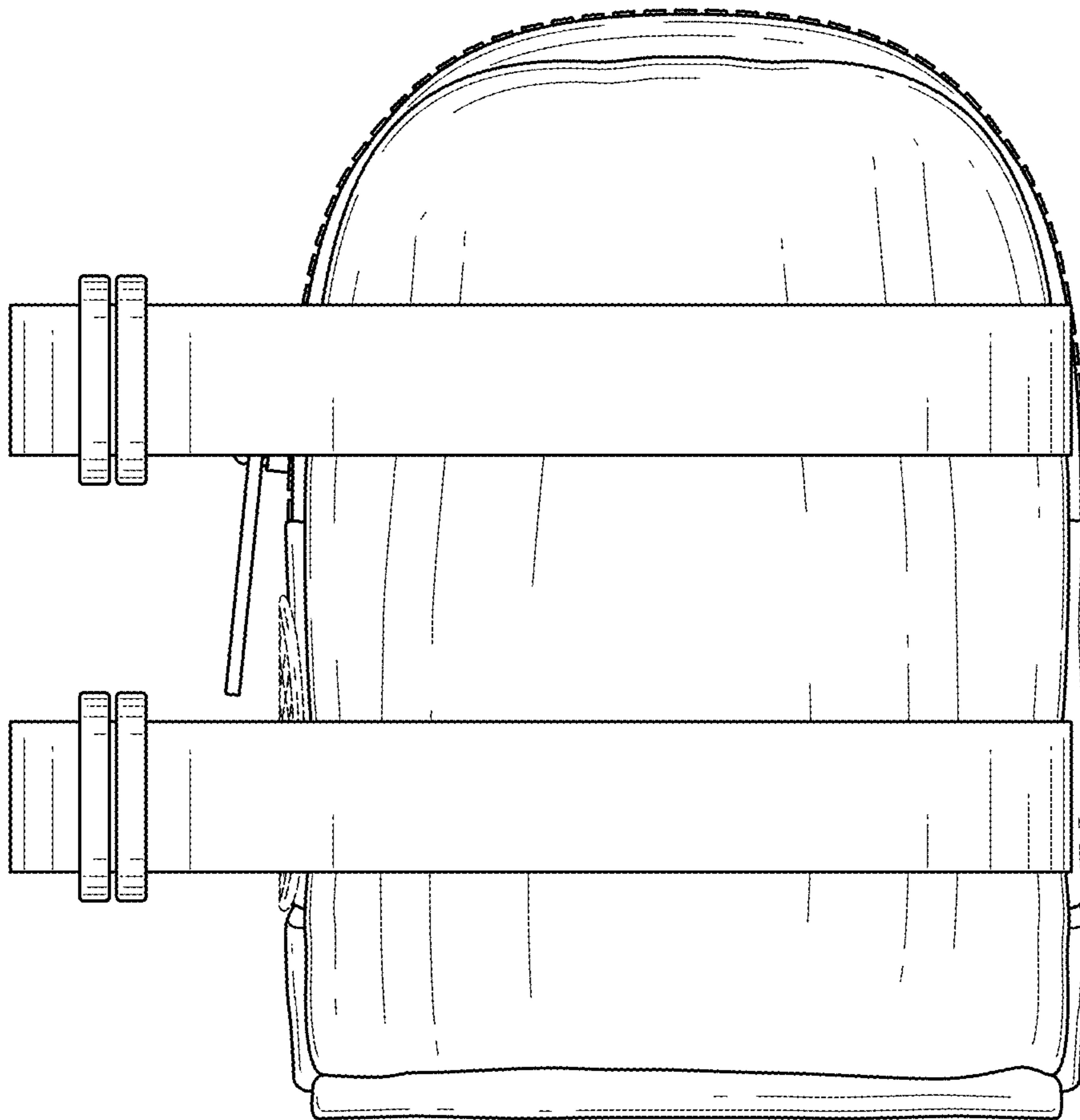


FIG. 3

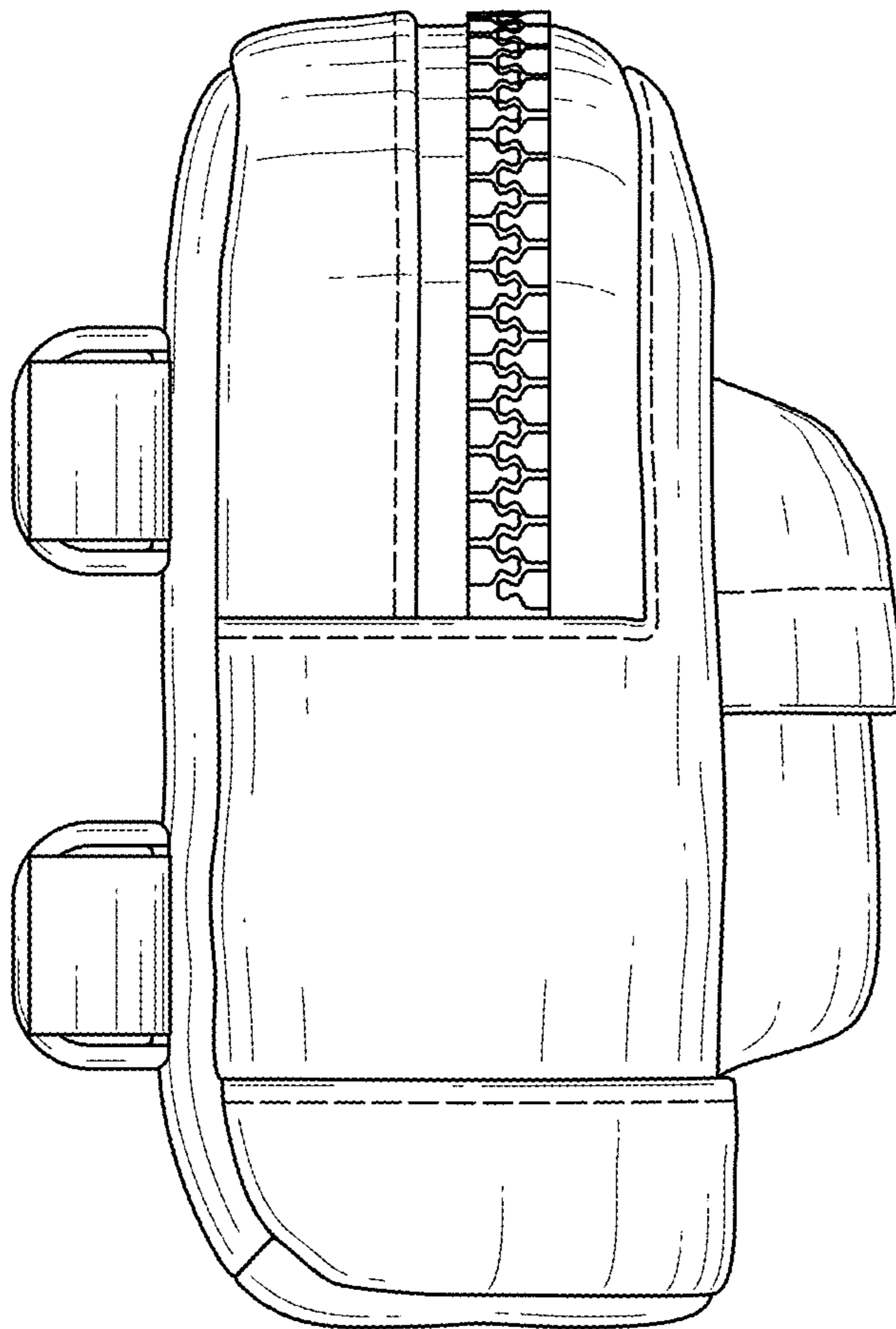


FIG. 4

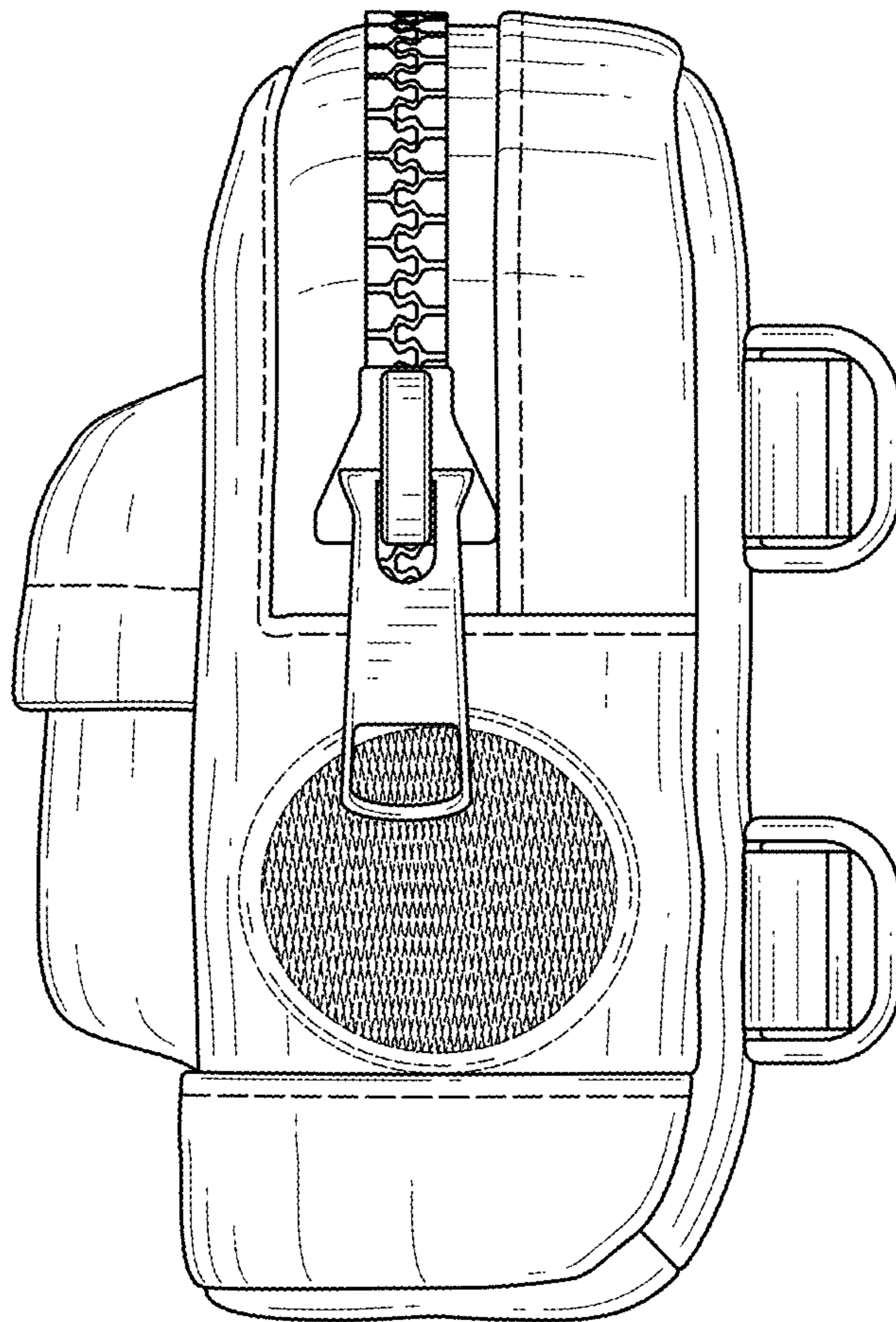


FIG. 5

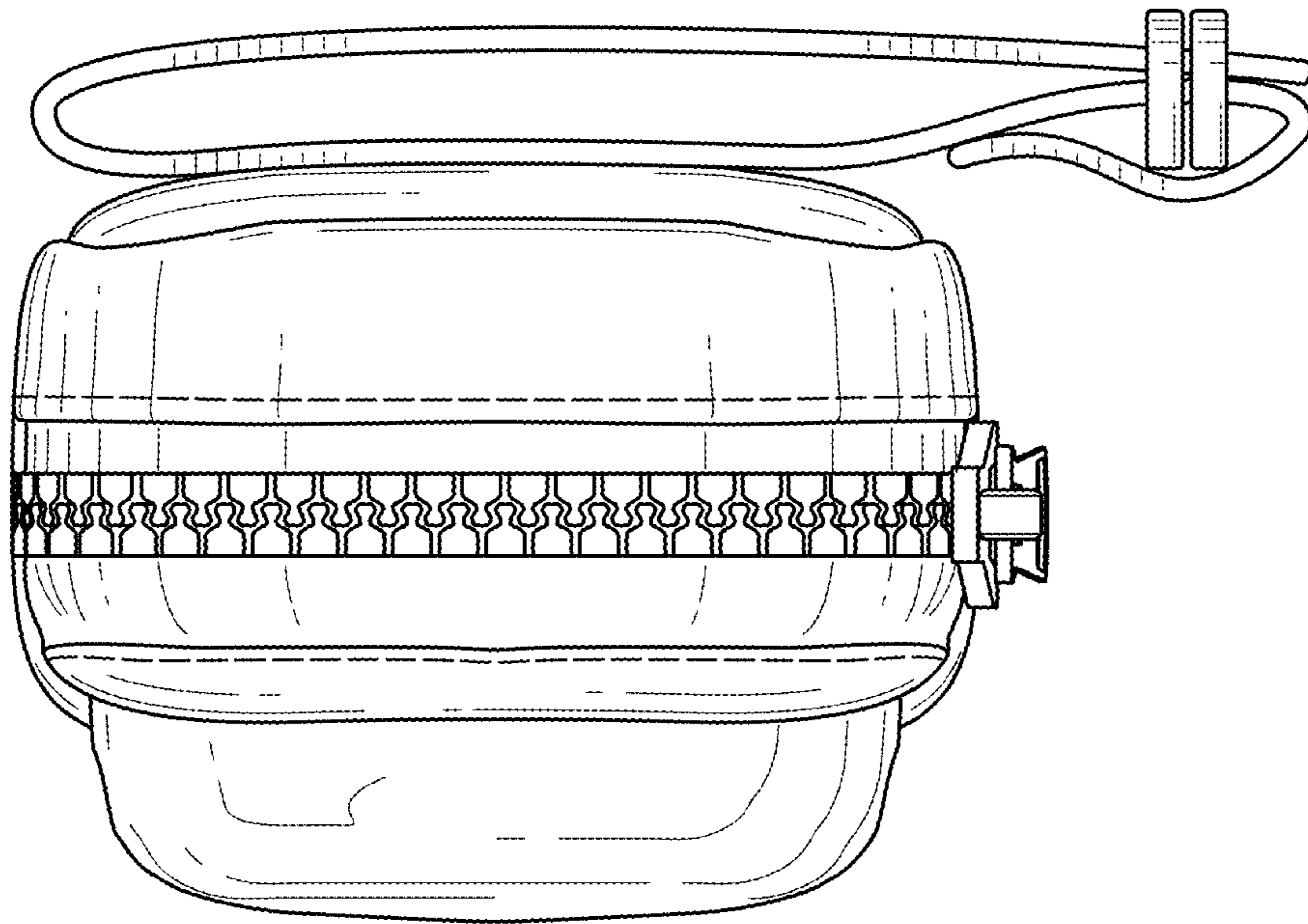


FIG. 6

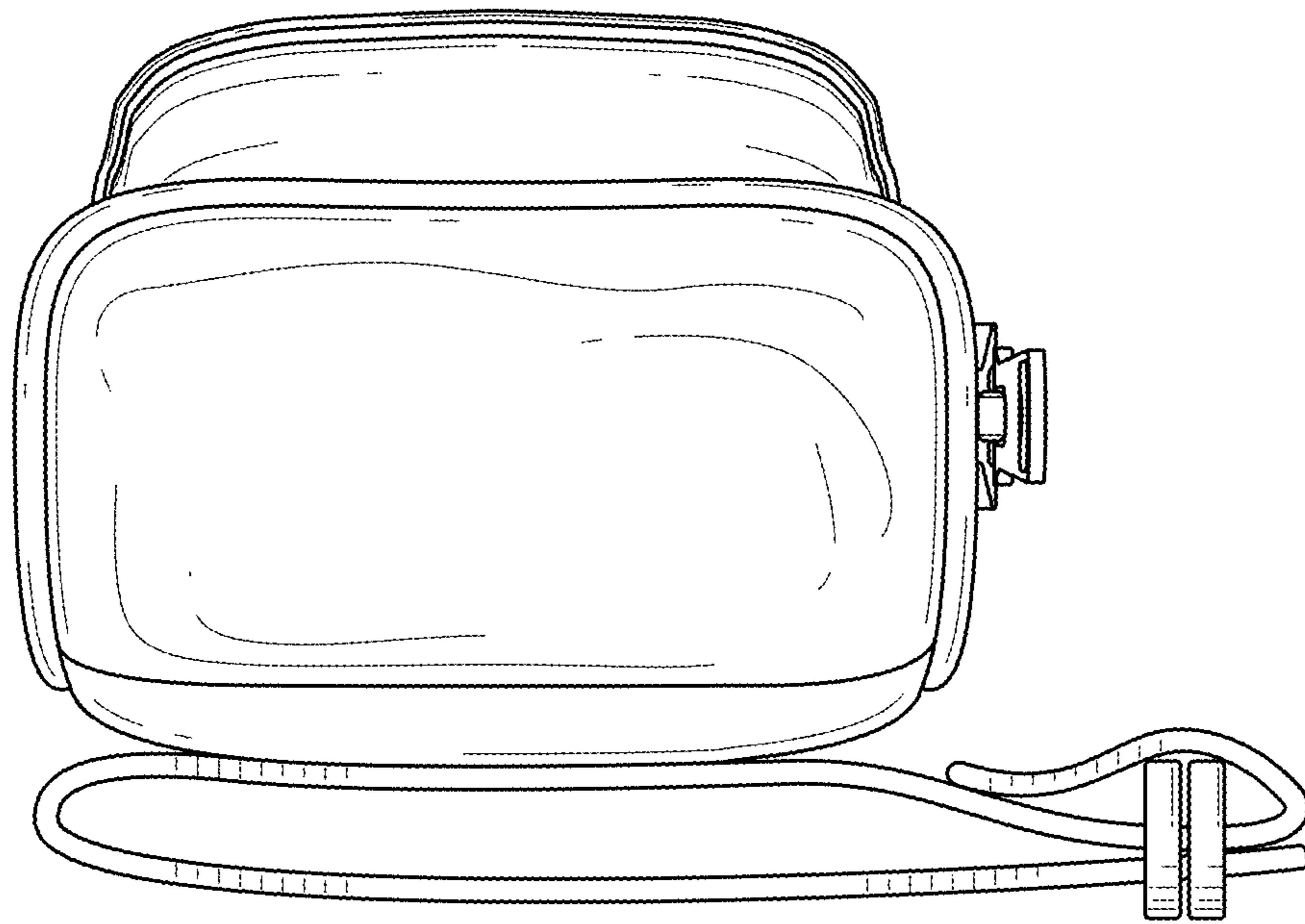


FIG. 7