



US00D979925S

(12) **United States Design Patent**
Chen

(10) **Patent No.:** **US D979,925 S**
(45) **Date of Patent:** **** Mar. 7, 2023**

(54) **MEDICATION CASE**

(71) Applicant: **Changsha Yuwen Network Technology Co., Ltd.**, Changsha (CN)

(72) Inventor: **Junyuan Chen**, Changsha (CN)

(73) Assignee: **HAIKOU LILI INVESTMENT CO., LTD.**, Haikou (CN)

(**) Term: **15 Years**

(21) Appl. No.: **29/787,837**

(22) Filed: **Jun. 9, 2021**

(30) **Foreign Application Priority Data**

Jun. 1, 2021 (CN) 202130330554.9

(51) **LOC (14) Cl.** **03-01**

(52) **U.S. Cl.**
USPC **D3/203.3**

(58) **Field of Classification Search**
USPC D3/201, 202, 203.1, 203.2, 203.3, 203.4, D3/203.5, 203.6, 203.7, 203.8, 204–212, D3/263, 267, 270, 272–276, 94, 295, 298, D3/302, 901–905; D9/420, 421, 422, D9/432, 756, 759, 760
CPC B65D 83/04; A61J 1/03
See application file for complete search history.

(56) **References Cited**

U.S. PATENT DOCUMENTS

4,372,445 A * 2/1983 Keffeler B65D 21/0204
206/532
D415,958 S * 11/1999 Noble D3/203.3
7,387,207 B2 * 6/2008 Priebe B65D 83/04
206/532
D897,665 S * 10/2020 Guo D3/203.3
D965,285 S * 10/2022 Chen D3/203.2
2009/0230014 A1 * 9/2009 Keffeler A61J 7/04
221/124
2021/0128405 A1 * 5/2021 Lee A61J 7/0084

FOREIGN PATENT DOCUMENTS

CN 303464219 * 11/2015

OTHER PUBLICATIONS

Amazon.com, Site visited Dec. 27, 2022, Sukuos Store 2 Times a Day Pill Organizer, First available Dec. 12, 2018, <https://www.amazon.com/dp/B084VKS72S> (Year: 2018).*

Amazon.com, Site visited Dec. 27, 2022, Colorwing AMPM Pill Organizer, First available Sep. 27, 2020, <https://www.amazon.com/Organizer-Oversized-Medicine-Vitamin-Container/dp/B087BS54TZ> (Year: 2020).*

* cited by examiner

Primary Examiner — Brett Miller

Assistant Examiner — Jessica M Gebhart

(74) *Attorney, Agent, or Firm* — IPro, PLLC

(57) **CLAIM**

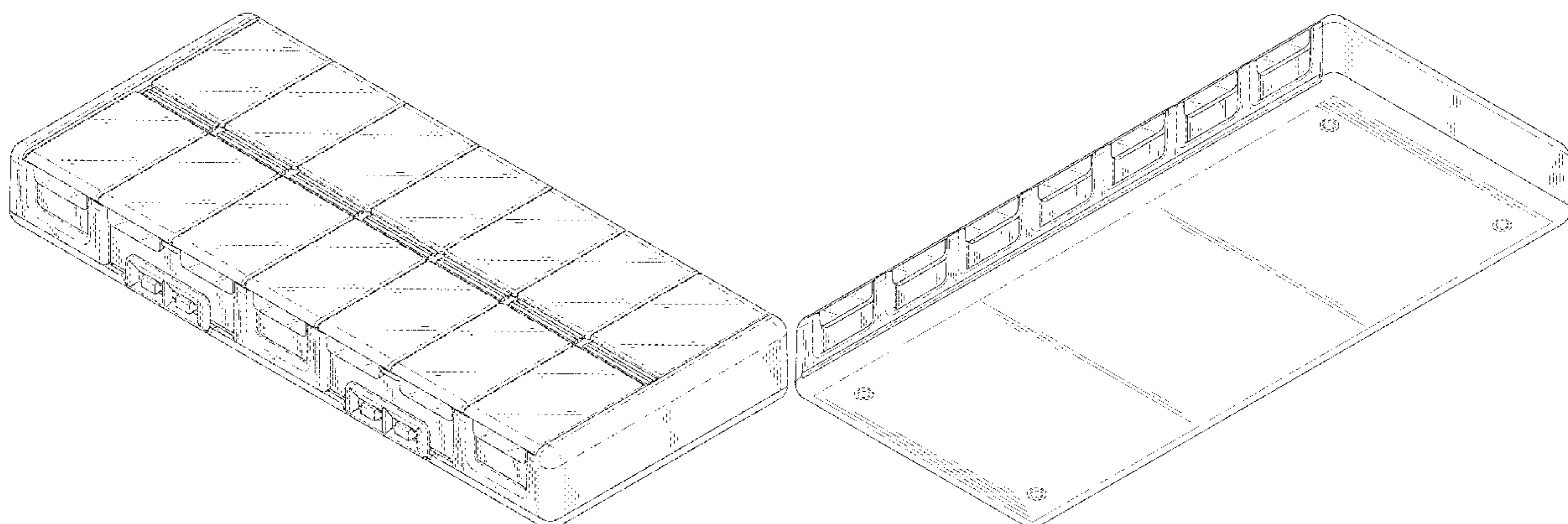
The ornamental design for a medication case, as shown and described.

DESCRIPTION

FIG. 1 is a perspective view of an ornamental design for a medication case showing our new design; FIG. 2 is another perspective view of the medication case; FIG. 3 is a front view of the medication case; FIG. 4 is a rear view of the medication case; FIG. 5 is a left side view of the medication case; FIG. 6 is a right side view of the medication case; FIG. 7 is a top view of the medication case; FIG. 8 is a bottom view of the medication case; and, FIG. 9 is a perspective view of the medication case in its open state.

The broken lines in the drawings depict portions of the medication case that form no part of the claimed design.

1 Claim, 9 Drawing Sheets



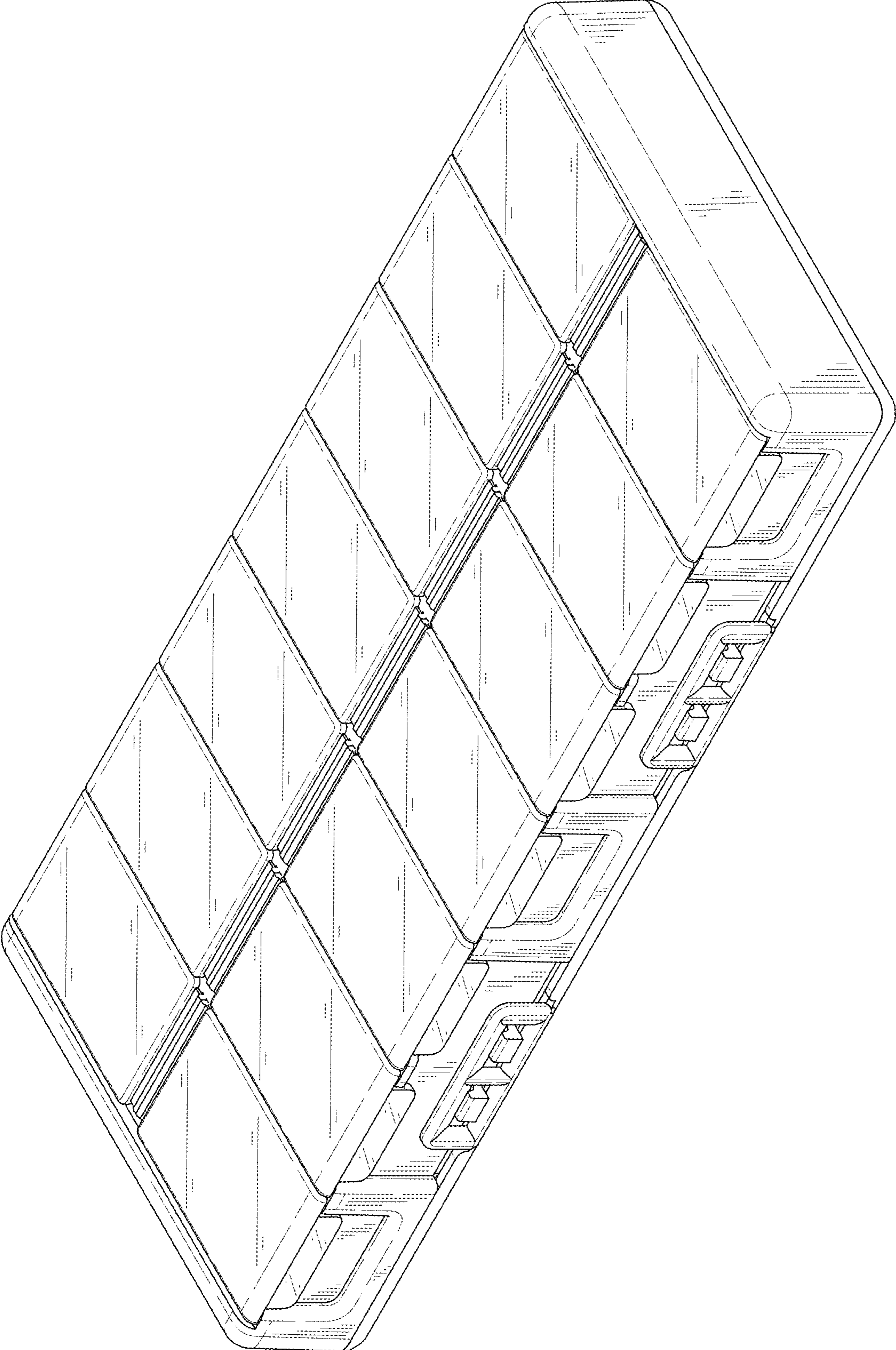


FIG. 1

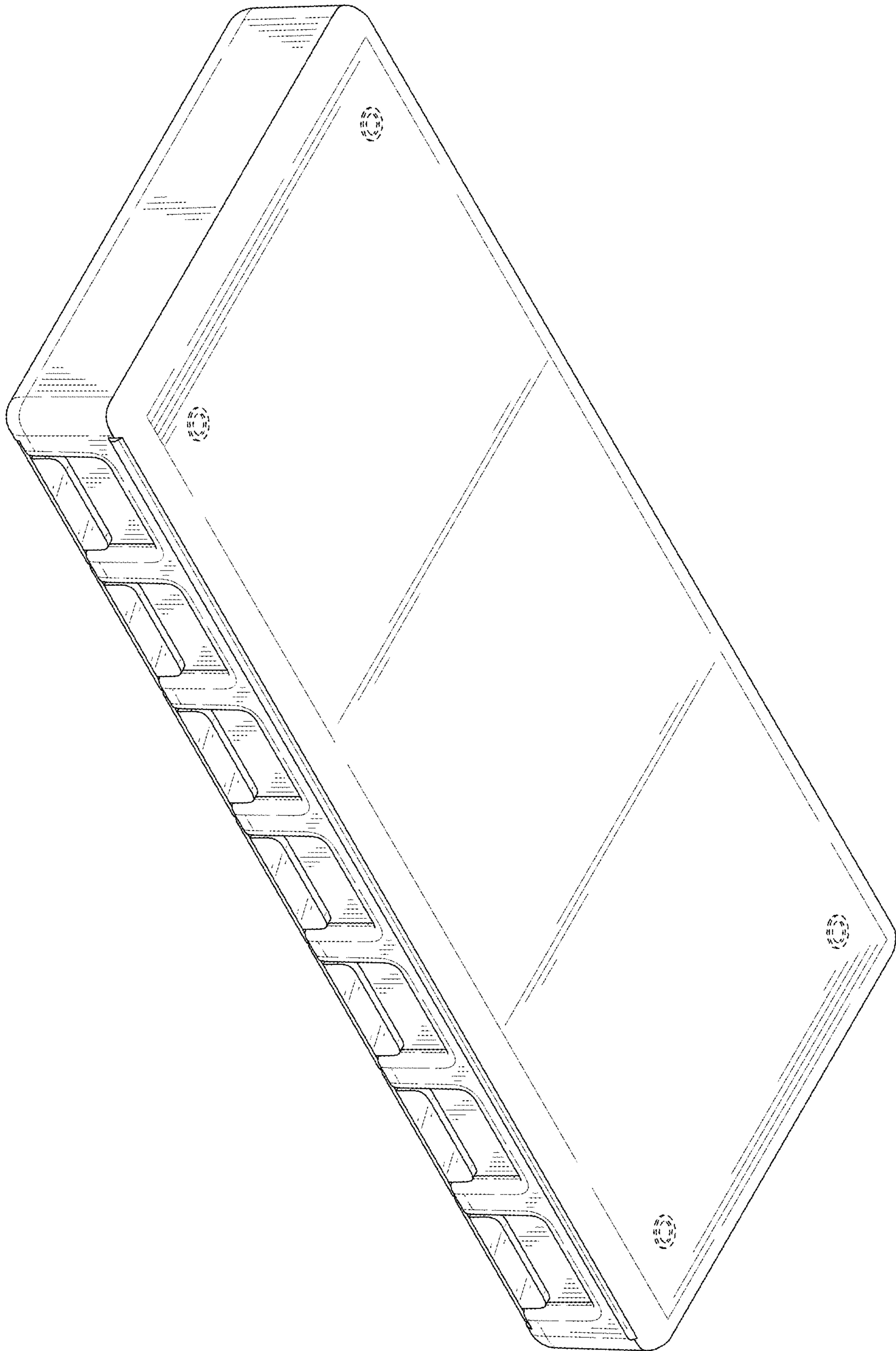


FIG. 2

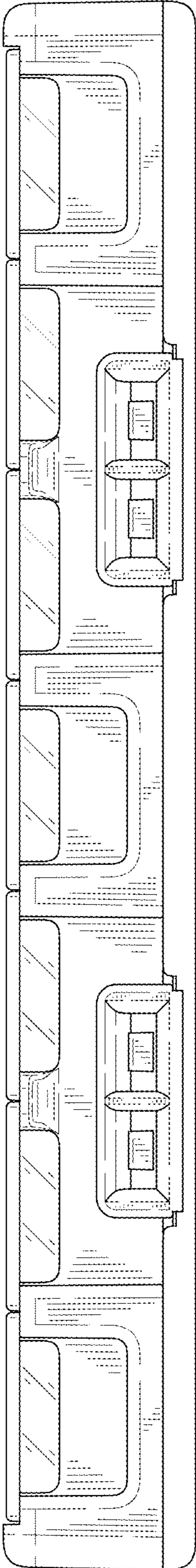


FIG. 3

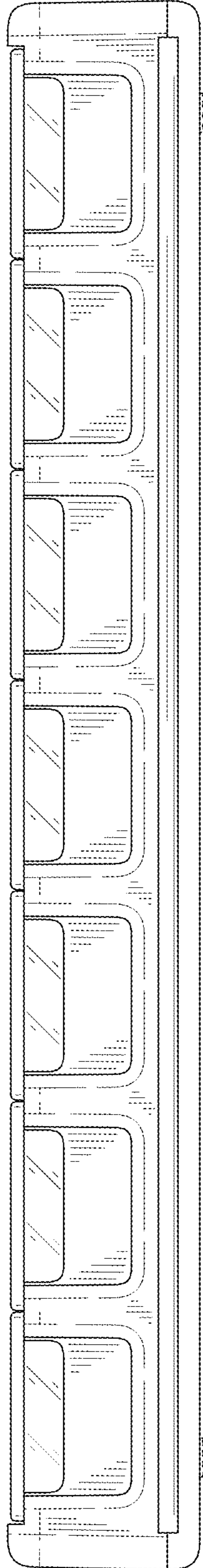


FIG. 4

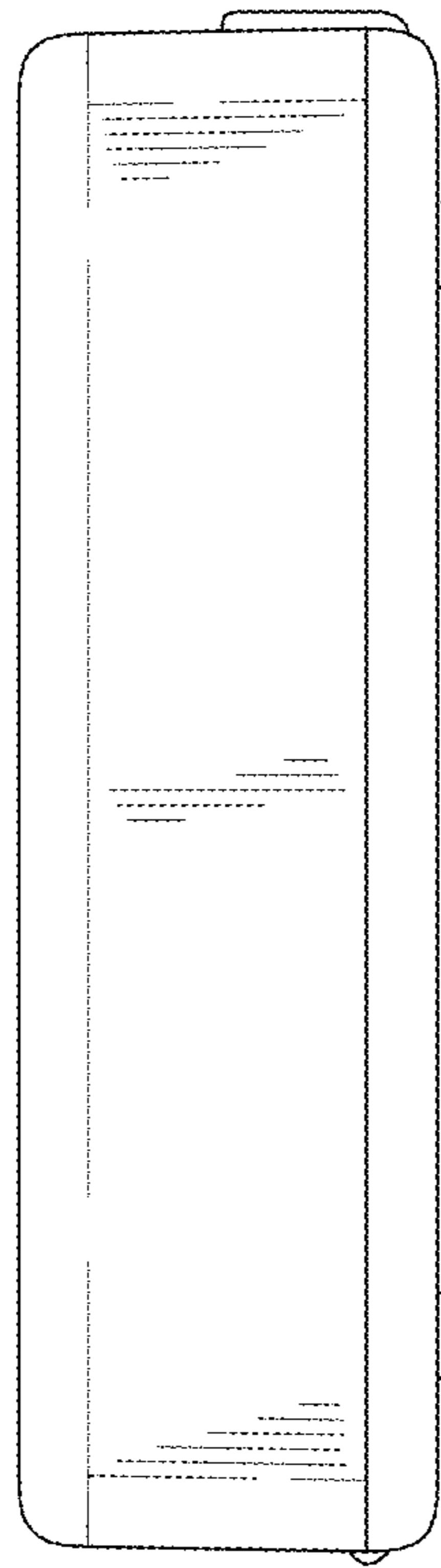


FIG. 5

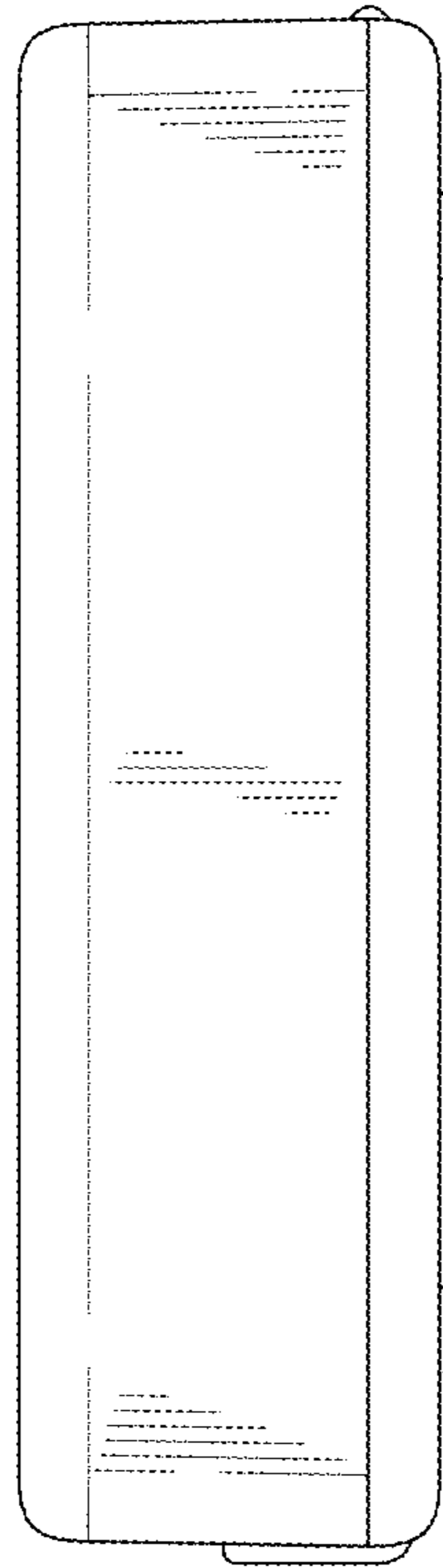


FIG. 6

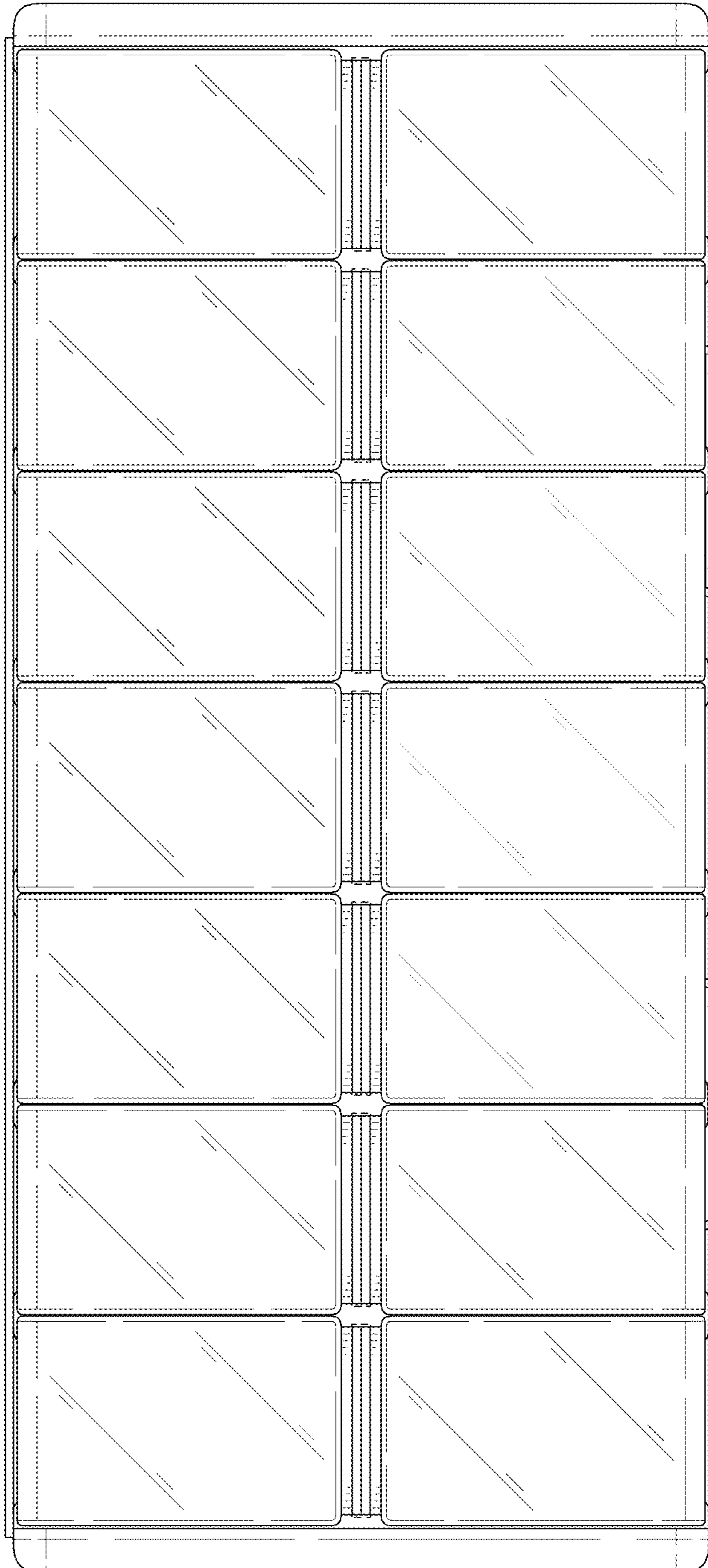


FIG. 7

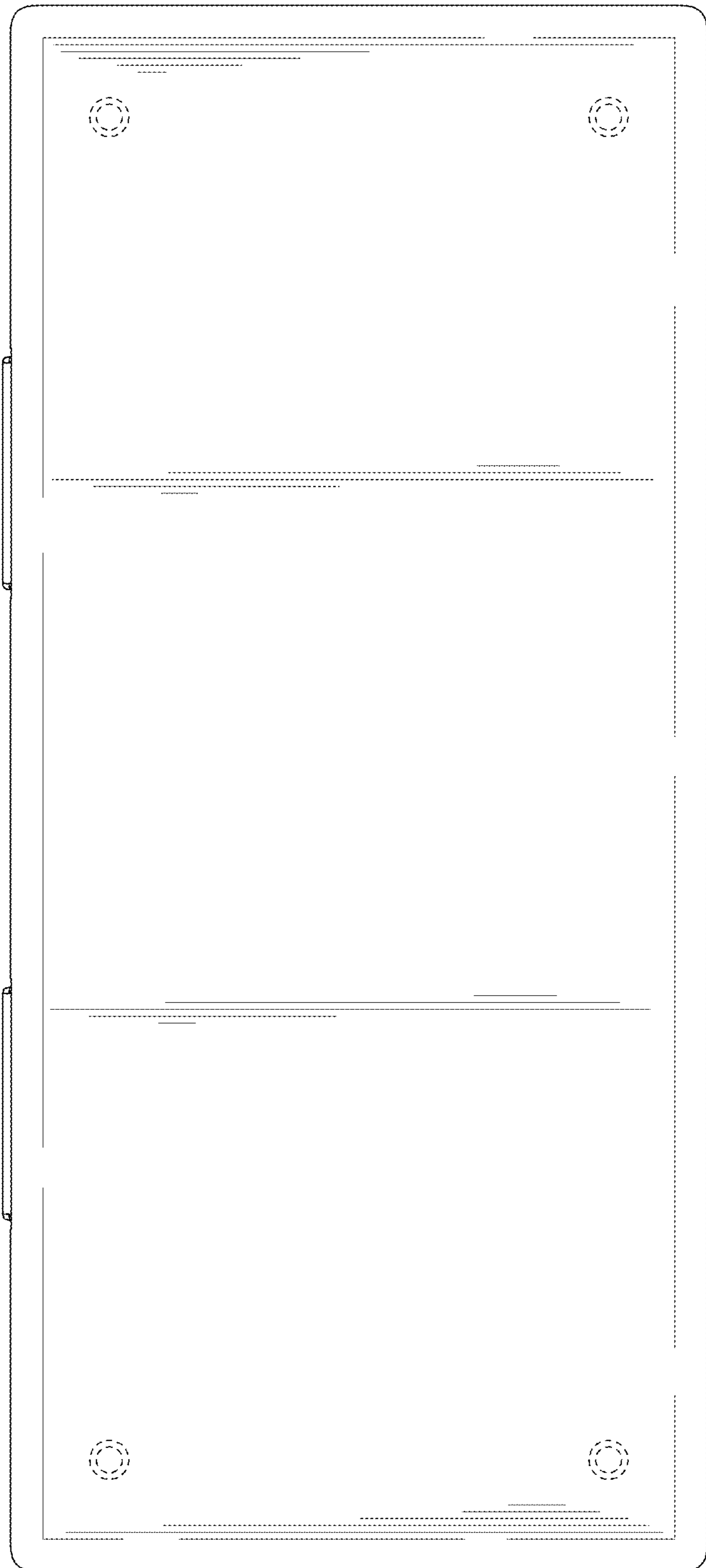


FIG. 8

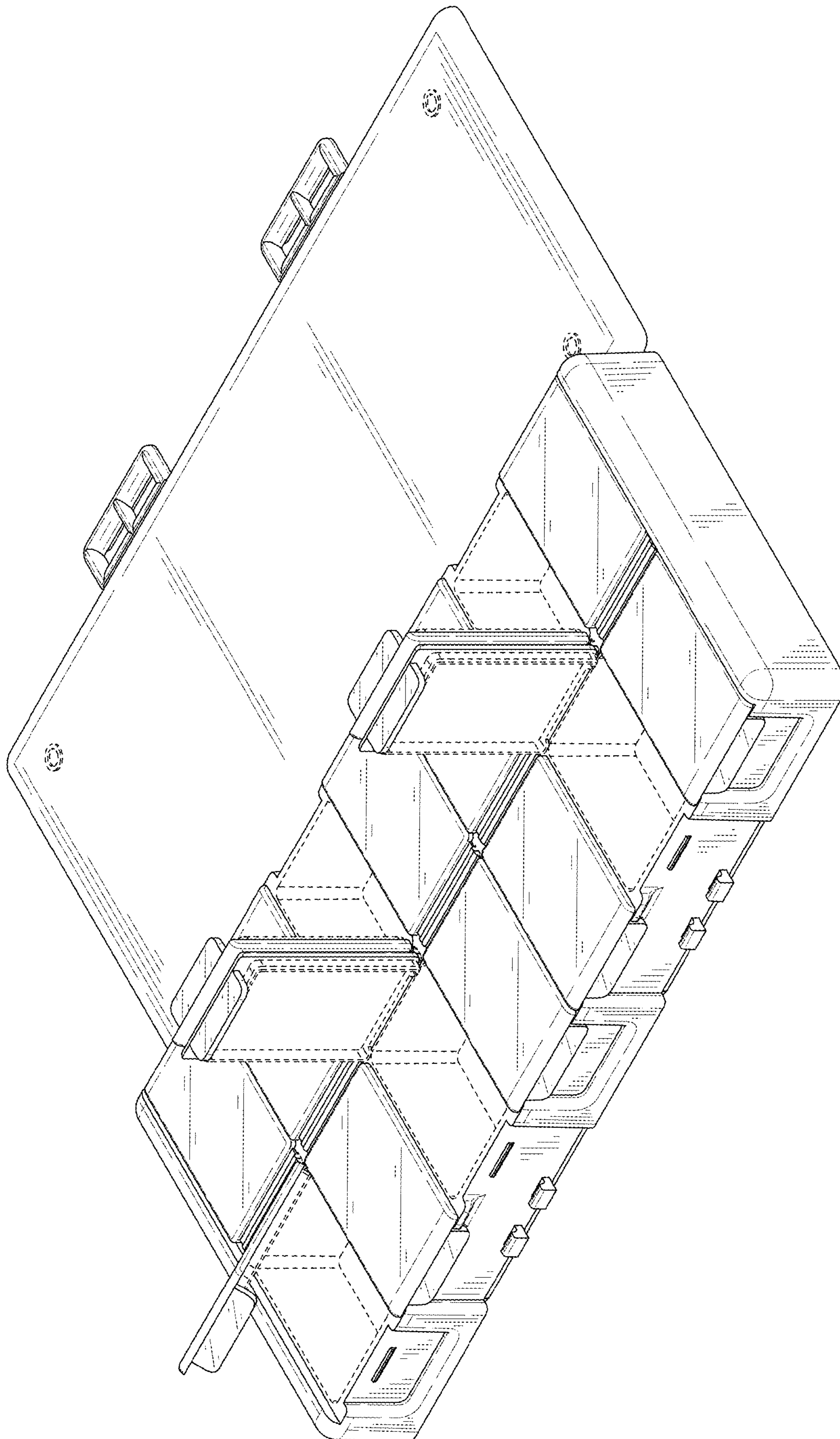


FIG. 9