



US00D979923S

(12) **United States Design Patent** (10) **Patent No.:** **US D979,923 S**
Shi (45) **Date of Patent:** **** Mar. 7, 2023**

(54) **BOTTLE BELT**

(71) Applicant: **ZHEJIANG HUANNUO INDUSTRIAL AND TRADING CO., LTD.**, Zhejiang (CN)

(72) Inventor: **Wenhui Shi**, Zhejiang (CN)

(73) Assignee: **ZHEJIANG HUANNUO INDUSTRIAL AND TRADING CO., LTD.**, Zhejiang (CN)

(**) Term: **15 Years**

(21) Appl. No.: **29/765,762**

(22) Filed: **Jan. 11, 2021**

(51) **LOC (14) Cl.** **03-01**

(52) **U.S. Cl.**
USPC **D3/201**

(58) **Field of Classification Search**
USPC D3/201, 202, 204–212, 219, 220, D3/226–228, 232–235, 238, 242, D3/263–270, 271.1, 271.2, 273, 289–294, D3/299, 301–304, 900–903; D7/601–604, 609, 619.1, 619.2, 631–633; D9/414, 420–423, 434, 435, 499, 600, D9/601, 607, 700–703, 706; D14/508–511, 203.3, 203.6; D24/224–227

CPC A45D 29/20; A45D 44/18; A45F 3/48; A45C 11/00; A45C 11/005; A45C 11/008; A45C 11/04; A45C 11/043; A45C 11/046; A45C 11/08; A45C 11/14; A45C 11/182; A45C 11/24; A45C 11/26; A45C 11/32; A45C 11/321; A45C 11/34; A45C 11/36; A45C 2011/001; A45C 2011/002; A45C 2011/003; A45C 2011/006; A45C 2011/007; A45C 2011/188; A45C 2011/322; A45C 2011/323; A45C 2011/324; A45C 2011/325; A45C

(Continued)

(56) **References Cited**

U.S. PATENT DOCUMENTS

D127,975 S * 7/1941 Schneider D3/226
3,589,155 A * 6/1971 Kamp A44B 15/00
70/459

(Continued)

FOREIGN PATENT DOCUMENTS

CN 305206417 * 6/2019
GB 6196736 * 3/2022

(Continued)

OTHER PUBLICATIONS

Hanging Buckle Mineral Water Bottle Clip, available at amazon.com, earliest date available May 11, 2016 [online], site visited Nov. 21, 2022, available from the internet URL: <https://www.amazon.com/Hanging-Mineral-Camping-Traveling-Outdoor/dp/B01FHHKRJY> (Year: 2016).*

(Continued)

Primary Examiner — Tracey J Bell

Assistant Examiner — Jillian Mazzola

(74) *Attorney, Agent, or Firm* — ScienBiziP, P.C.

(57) **CLAIM**

The ornamental design for a bottle belt, as shown and described.

DESCRIPTION

FIG. 1 is a front, right, and top perspective view of a bottle belt, showing my design.

FIG. 2 is a front elevation view thereof.

FIG. 3 is a rear elevation view thereof.

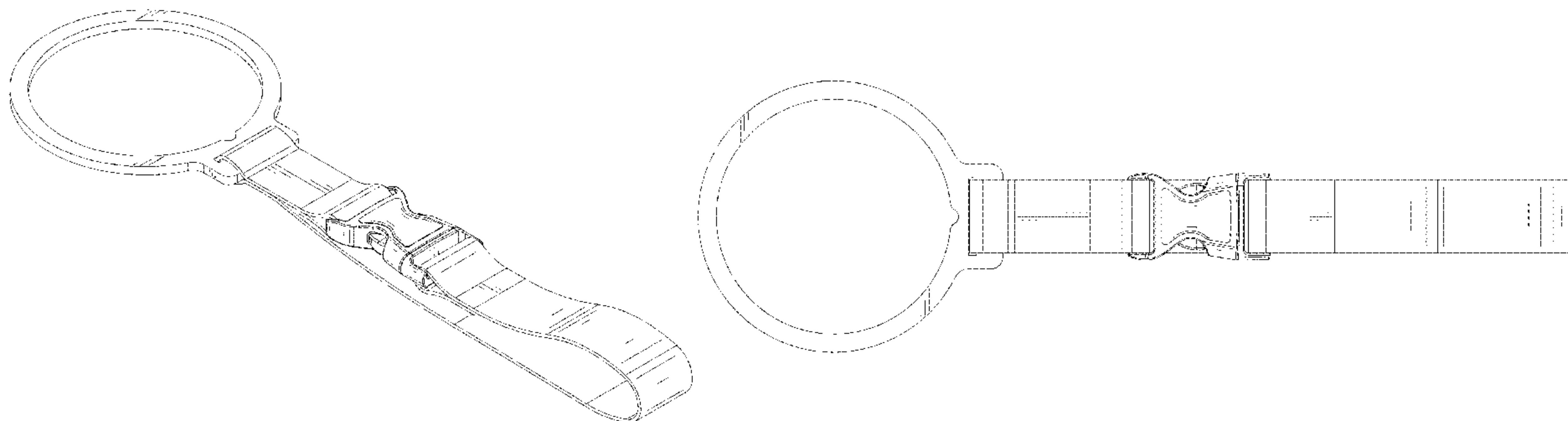
FIG. 4 is a left side elevation view thereof.

FIG. 5 is a right side elevation view thereof.

FIG. 6 is a top plan view thereof; and,

FIG. 7 is a bottom plan view thereof.

1 Claim, 7 Drawing Sheets



(58) **Field of Classification Search**

CPC ... 2011/326; A45C 2011/327; A45C 2011/329

See application file for complete search history.

2017/0258188 A1* 9/2017 Luo A45C 13/008
 2018/0042371 A1* 2/2018 DiJulio, Jr. A45F 5/00
 2018/0317613 A1* 11/2018 Barr E05B 19/00

FOREIGN PATENT DOCUMENTS

KR 300975102.0000 * 10/2018
 KR 301000664.0000 * 4/2019

(56)

References Cited

U.S. PATENT DOCUMENTS

D237,561 S * 11/1975 Kesner D3/207
 4,166,489 A * 9/1979 Lemelson A44B 15/005
 206/38.1
 D267,521 S * 1/1983 Mathieson D8/43
 D293,979 S * 2/1988 Lynn D3/226
 D403,814 S * 1/1999 Stanford D32/42
 D474,017 S * 5/2003 Burns D3/226
 D494,754 S * 8/2004 Murphy D3/228
 6,860,049 B2 * 3/2005 Bagnara A44B 15/005
 70/456 R
 7,546,753 B1 * 6/2009 Kim A44B 15/005
 206/37.1
 D710,087 S * 8/2014 Praamsma D3/266
 9,339,086 B2 * 5/2016 Hill B60P 7/0823
 D793,075 S * 8/2017 Ma D3/207
 D932,254 S * 10/2021 Cutler D7/622
 D962,781 S * 9/2022 Li D9/703
 2008/0296325 A1 * 12/2008 Tepper A45F 5/00
 224/148.6
 2011/0226829 A1 * 9/2011 Robinson A45F 3/14
 224/269

OTHER PUBLICATIONS

Easy DIY O-Ring Water Bottle Holder, available at [itsalwaysautumn.com](https://www.itsalwaysautumn.com), posted Mar. 13, 2021 [online], site visited Nov. 21, 2022, available from the internet URL: <https://www.itsalwaysautumn.com/easy-diy-o-ring-water-bottle-holder.html> (Year: 2021).*

Double Header Keychain, available at [etsy.com](https://www.etsy.com), earliest customer review date Dec. 1, 2020 [online], site visited Nov. 21, 2022, available from the internet URL: <https://www.etsy.com/listing/264338492/double-header-keychain-new-colors?> (Year: 2020).*

DYZD Tactical Gear Keychain Clip, available at [amazon.com](https://www.amazon.com), earliest date available May 4, 2018 [online], site visited Nov. 21, 2022, available from the internet URL: <https://www.amazon.com/DYZD-Tactical-Keychain-Release-Outdoor/dp/B01KFFQDEG?th=1> (Year: 2018).*

No. 6 Key Ring, available at [colonellittleton.com](https://www.colonellittleton.com), earliest customer review date May 6, 2015 [online], site visited Nov. 21, 2022, available from the internet URL: <https://www.colonellittleton.com/shop/leather-personalized-key-ring-no6/> (Year: 2015).*

* cited by examiner

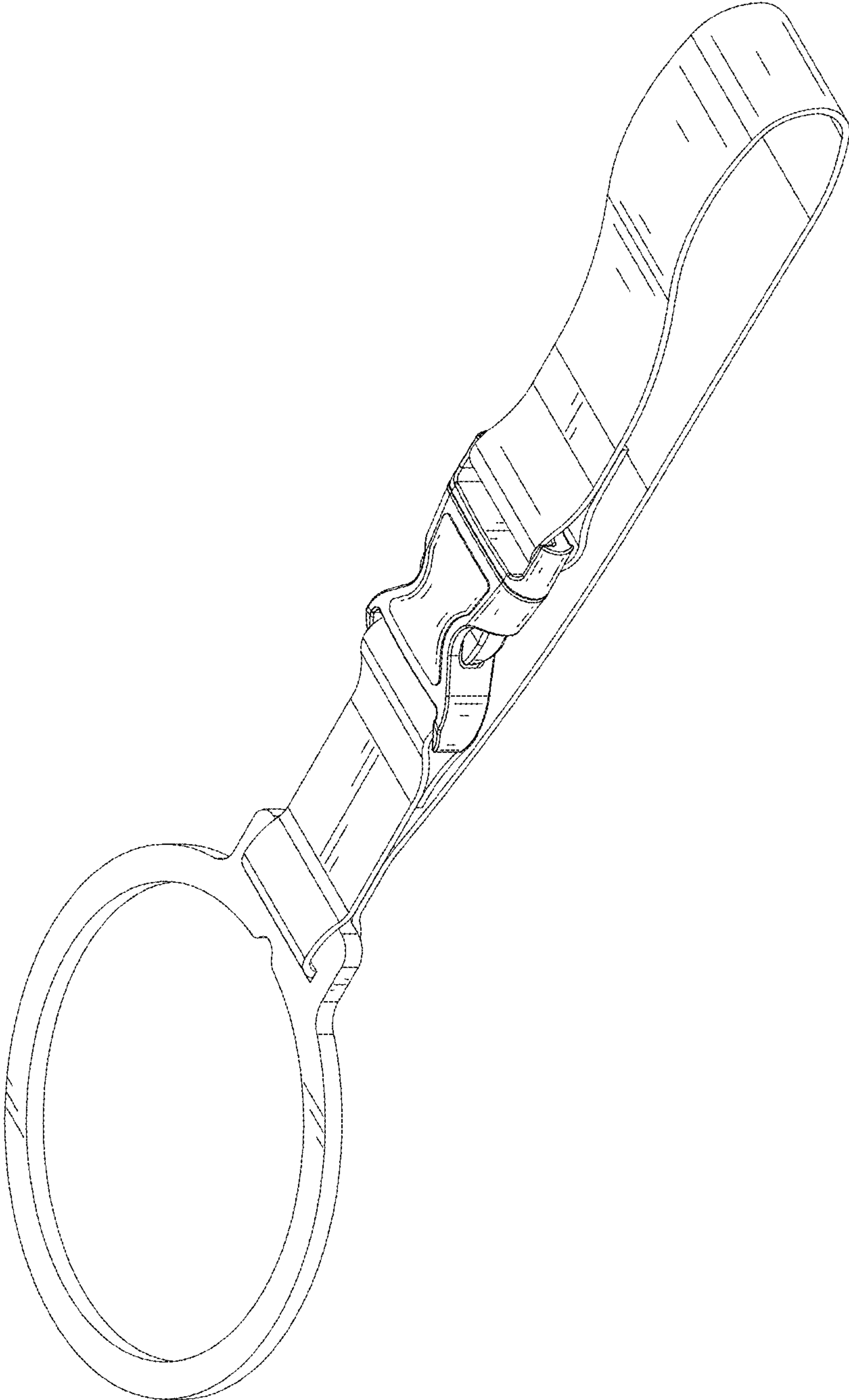


FIG.1

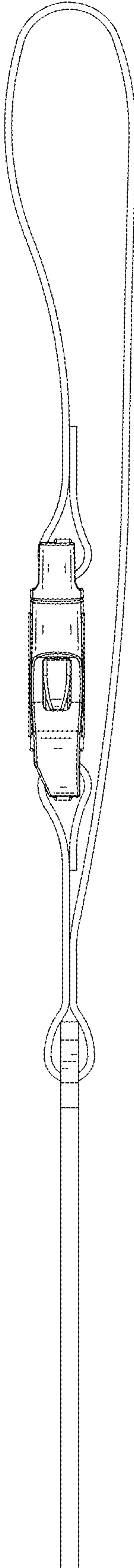


FIG.2

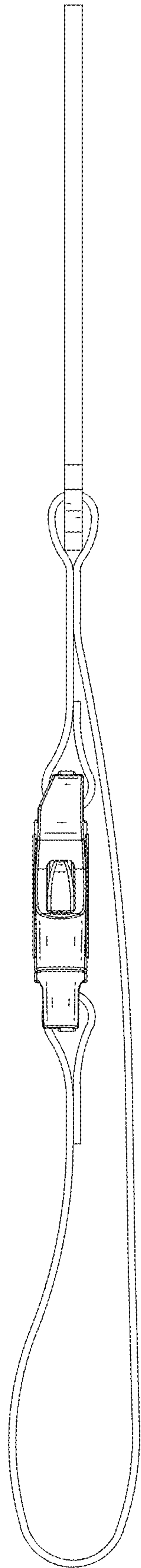


FIG.3

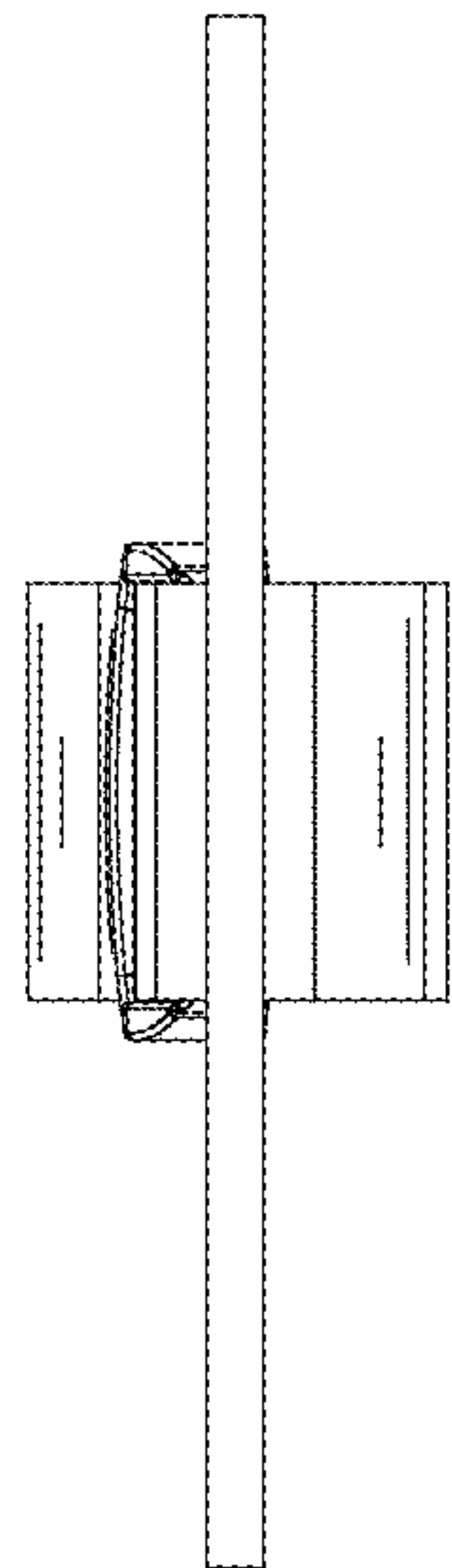


FIG.4

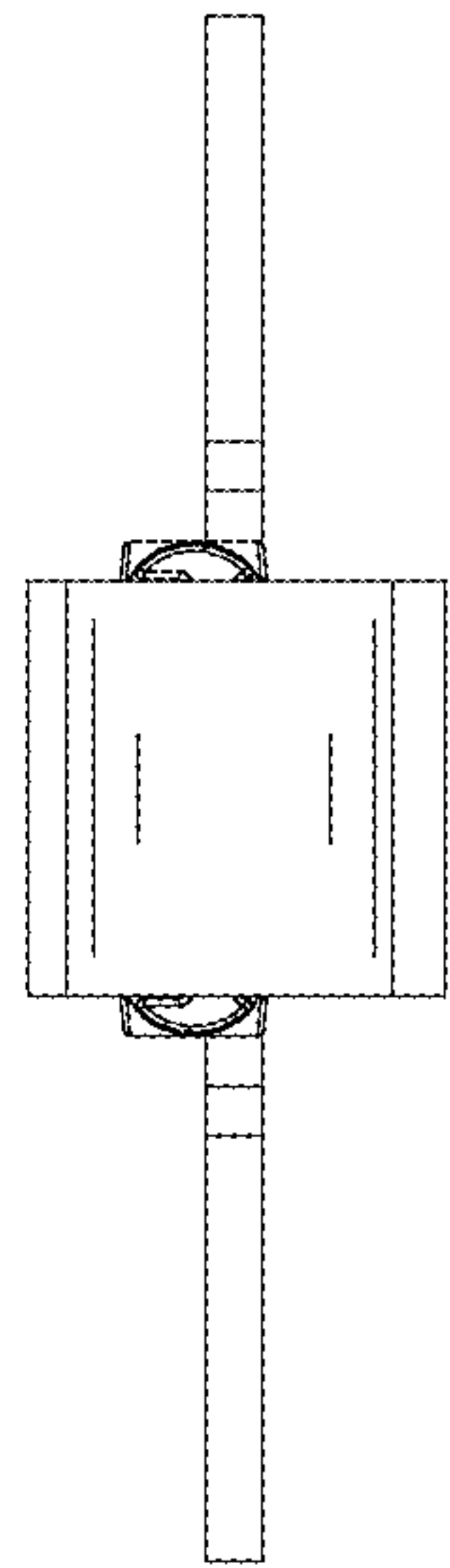


FIG. 5

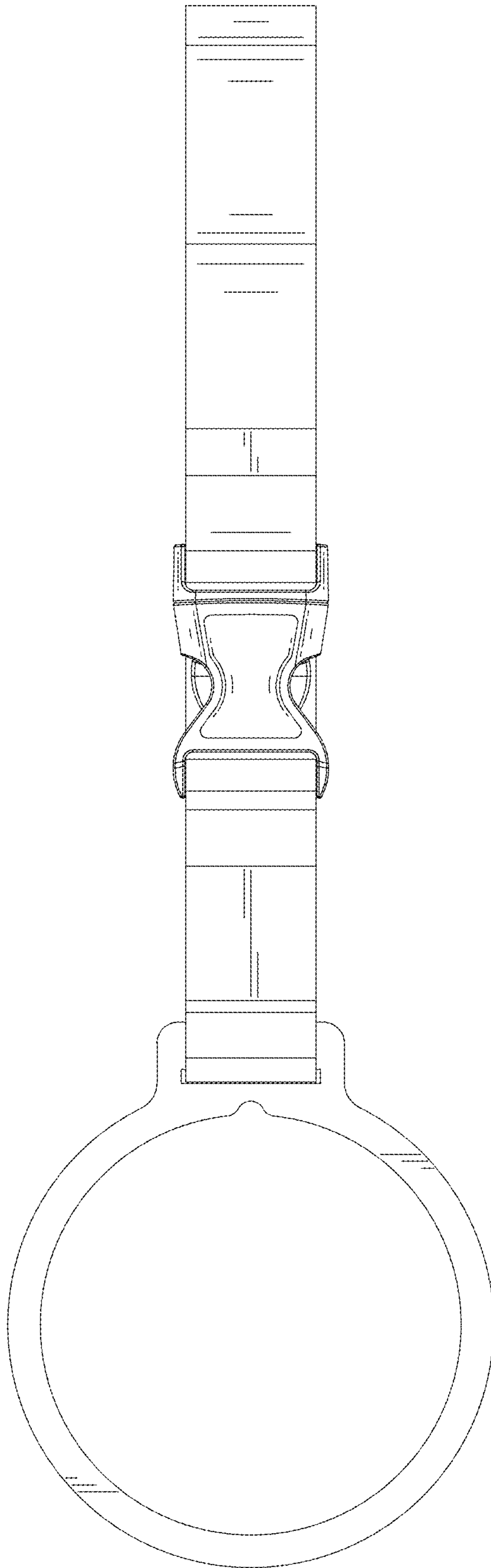


FIG.6

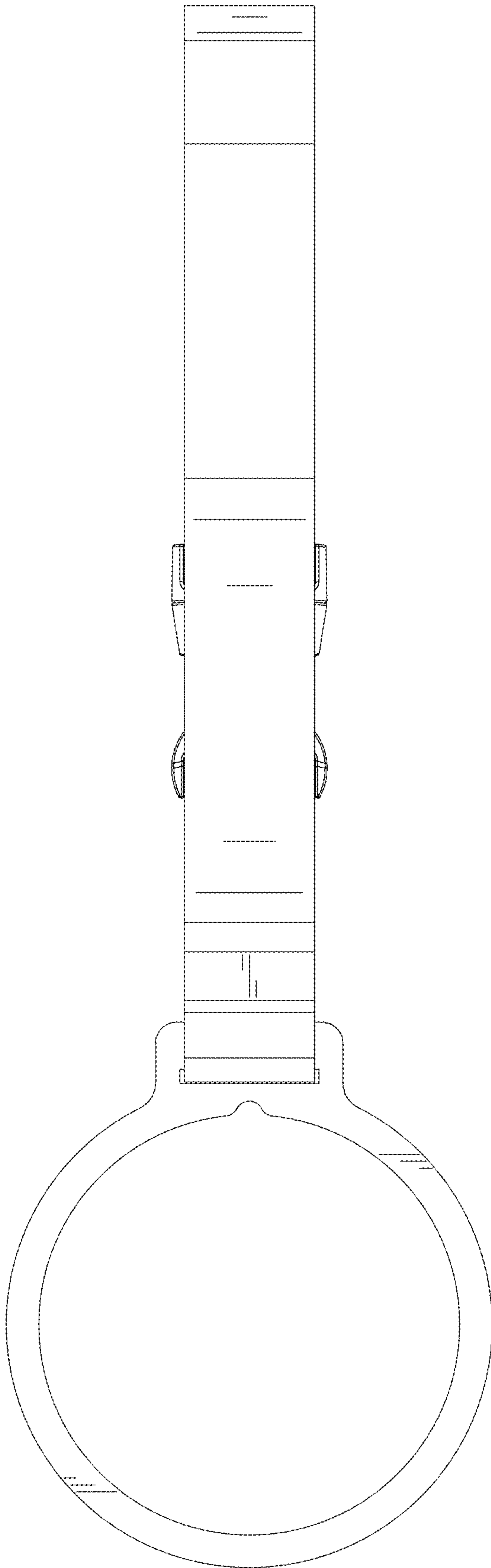


FIG. 7