



US00D979922S

(12) **United States Design Patent**  
**Bauernfeind**

(10) **Patent No.:** **US D979,922 S**

(45) **Date of Patent:** **\*\* Mar. 7, 2023**

(54) **BAG**

(71) Applicant: **Jennifer Morris Bauernfeind**,  
Asheville, NC (US)

(72) Inventor: **Jennifer Morris Bauernfeind**,  
Asheville, NC (US)

(\*\*) Term: **15 Years**

(21) Appl. No.: **29/700,249**

(22) Filed: **Jul. 31, 2019**

(51) **LOC (14) Cl.** ..... **03-01**

(52) **U.S. Cl.**  
USPC ..... **D3/201**

(58) **Field of Classification Search**  
USPC ..... D3/201, 232-234, 238-246, 254-268,  
D3/270, 271.1, 271.4, 271.9

CPC .. A45C 3/00; A45C 3/001; A45C 3/04; A45C  
3/045; A45C 3/06; A45C 3/08; A45C  
3/10; A45C 3/12; A45C 2003/002

See application file for complete search history.

(56) **References Cited**

**U.S. PATENT DOCUMENTS**

D153,239 S *	3/1949	Schwartz	.....	D21/305
D231,772 S *	6/1974	Gary et al.	.....	D3/312
5,385,766 A	1/1995	Ferre		
5,401,101 A	3/1995	Wang		
5,518,315 A *	5/1996	Nichols	.....	A45C 13/36 383/18
D419,302 S *	1/2000	Hardy	.....	D3/307
D428,697 S *	8/2000	Nally	.....	D3/254
D431,907 S *	10/2000	Andujar	.....	D3/307

(Continued)

**FOREIGN PATENT DOCUMENTS**

CA	114647	*	4/2007
JP	D1518925	*	3/2015

(Continued)

**OTHER PUBLICATIONS**

Crowne Mesh Panel Tote Bag (Screen Print), available at bagmakersonline.com, date not available [online], site visited Apr. 27, 2022, available from the internet URL: <https://bagmakersonline.com/product/crowne-mesh-panel-tote-bag-screen-print/> (Year: 2022).\*

(Continued)

*Primary Examiner* — April Rivas

*Assistant Examiner* — Jillian Mazzola

(74) *Attorney, Agent, or Firm* — NK Patent Law

(57) **CLAIM**

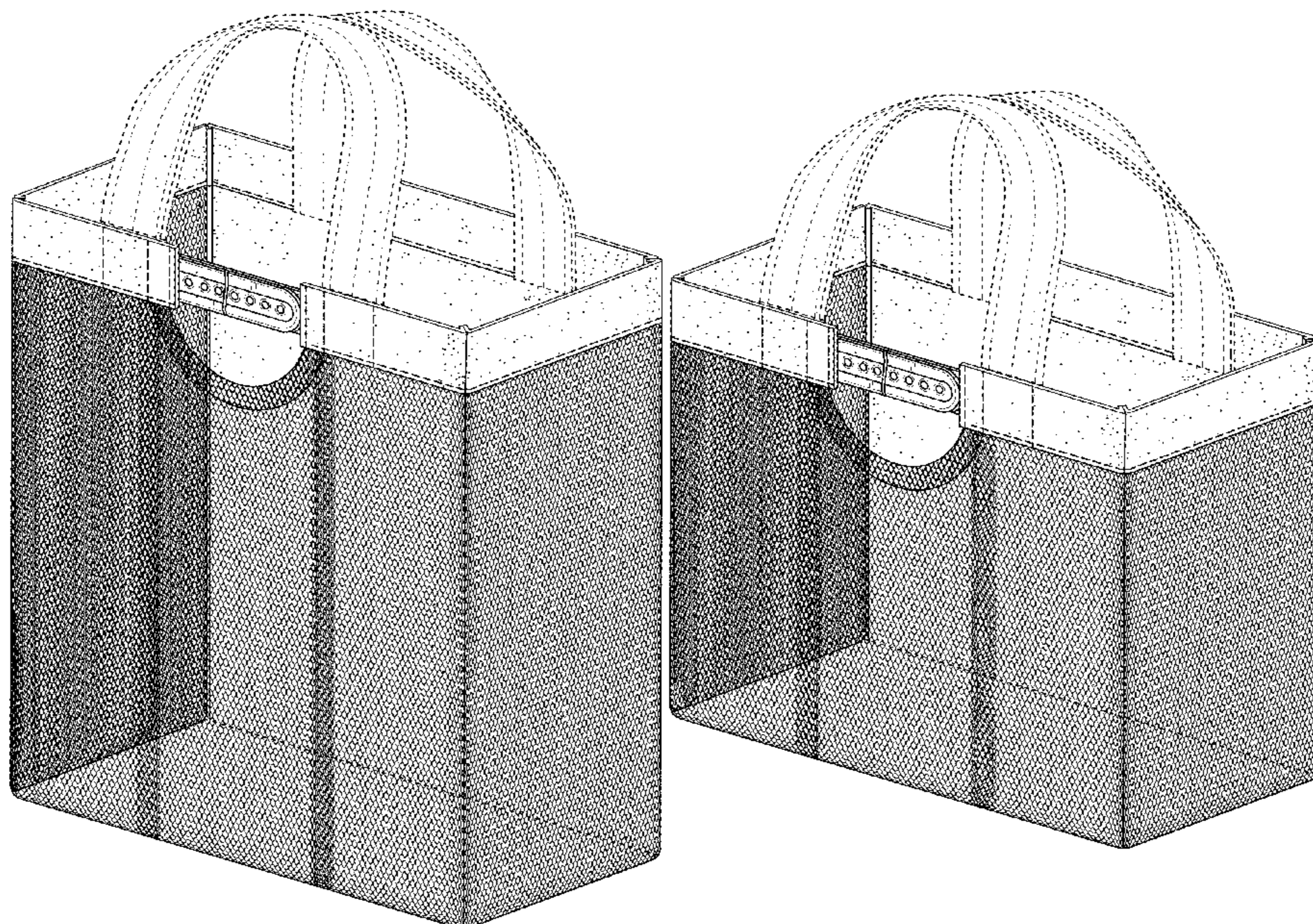
The ornamental design for a bag, as shown and described.

**DESCRIPTION**

FIG. 1 is a perspective view of a bag showing my new design in a first embodiment;  
FIG. 2 is a front side view thereof;  
FIG. 3 is a back view thereof;  
FIG. 4 is a left side view thereof;  
FIG. 5 is a right side view thereof;  
FIG. 6 is a top view thereof;  
FIG. 7 is a bottom view thereof;  
FIG. 8 is a perspective view of a bag showing my new design in a second embodiment;  
FIG. 9 is a front side view thereof;  
FIG. 10 is a back view thereof;  
FIG. 11 is a left side view thereof;  
FIG. 12 is a right side view thereof;  
FIG. 13 is a top view thereof; and,  
FIG. 14 is a bottom view thereof.

The broken lines showing carrying straps in FIGS. 1-6 and FIGS. 8-13 depict environmental structure and form no part of the claimed design. The broken lines depict portions of the bag that form no part of the claimed design.

**1 Claim, 12 Drawing Sheets**



(56)

References Cited

U.S. PATENT DOCUMENTS

D432,013 S \* 10/2000 Glees ..... D32/29.1  
 D470,910 S \* 2/2003 Abel ..... D22/199  
 D630,844 S \* 1/2011 Wang ..... D3/232  
 D650,578 S \* 12/2011 Guertin ..... D3/233  
 D720,131 S 12/2014 Siegel et al.  
 D778,045 S \* 2/2017 Ruddis ..... D3/232  
 D827,299 S \* 9/2018 Vickery ..... D3/246  
 D851,396 S \* 6/2019 Lin ..... D3/240  
 D869,847 S \* 12/2019 Huebner ..... D3/315  
 D872,993 S \* 1/2020 Gu ..... D3/246  
 D875,390 S \* 2/2020 Potts ..... D3/232  
 D901,888 S \* 11/2020 Carrouee ..... D3/245  
 D938,727 S \* 12/2021 Dittrich ..... D3/306  
 2002/0012480 A1 \* 1/2002 Konno ..... A45F 3/04  
 383/117  
 2004/0231771 A1 11/2004 Shiue  
 2006/0231692 A1 \* 10/2006 Sabounjian ..... B65D 29/00  
 248/95  
 2015/0000805 A1 1/2015 Whitaker  
 2015/0274372 A1 10/2015 Zivan  
 2015/0375933 A1 12/2015 First  
 2016/0135561 A1 \* 5/2016 Gaspero ..... A45C 13/02  
 150/112  
 2016/0244208 A1 8/2016 Mitchell

FOREIGN PATENT DOCUMENTS

KR 300464816.0000 \* 10/2007  
 KR 300948600.0000 \* 3/2018

OTHER PUBLICATIONS

Breezy Mesh Tote Bag, available at [promotionpros.com](http://promotionpros.com), date not available [online], site visited Apr. 27, 2022, available from the internet URL: <https://www.promotionpros.com/breezy-mesh-tote-bag?> (Year: 2022).\*

Personalized Large Black Mesh Tote Bag, available at [orientaltrading.com](http://orientaltrading.com), earliest customer review date Jan. 29, 2017 [online], site visited Apr. 27, 2022, available from the internet URL: <https://www.orientaltrading.com/personalized-large-black-mesh-tote-bag-a2-13753666.fltr> (Year: 2017).\*

Olympia USA Multi-Purpose Travel Tote Blue, available at [homedepot.com](http://homedepot.com), earliest customer review date Mar. 31, 2020 [online], site visited Apr. 27, 2022, available from the internet URL: <https://www.homedepot.com/p/reviews/Olympia-USA-Multi-Purpose-Travel-Tote-Blue-AC-800-BU/308772031/1> (Year: 2020).\*

Bluboon Mesh Beach Tote Bag, available at [amazon.com](http://amazon.com), earliest date available Apr. 18, 2019 [online], site visited Apr. 27, 2022, available from the internet URL: <https://www.amazon.com/BLUBOON-Compartment-Insulated-Detachable-Turquoise/dp/B07R1HQTMK/> (Year: 2019).\*

\* cited by examiner

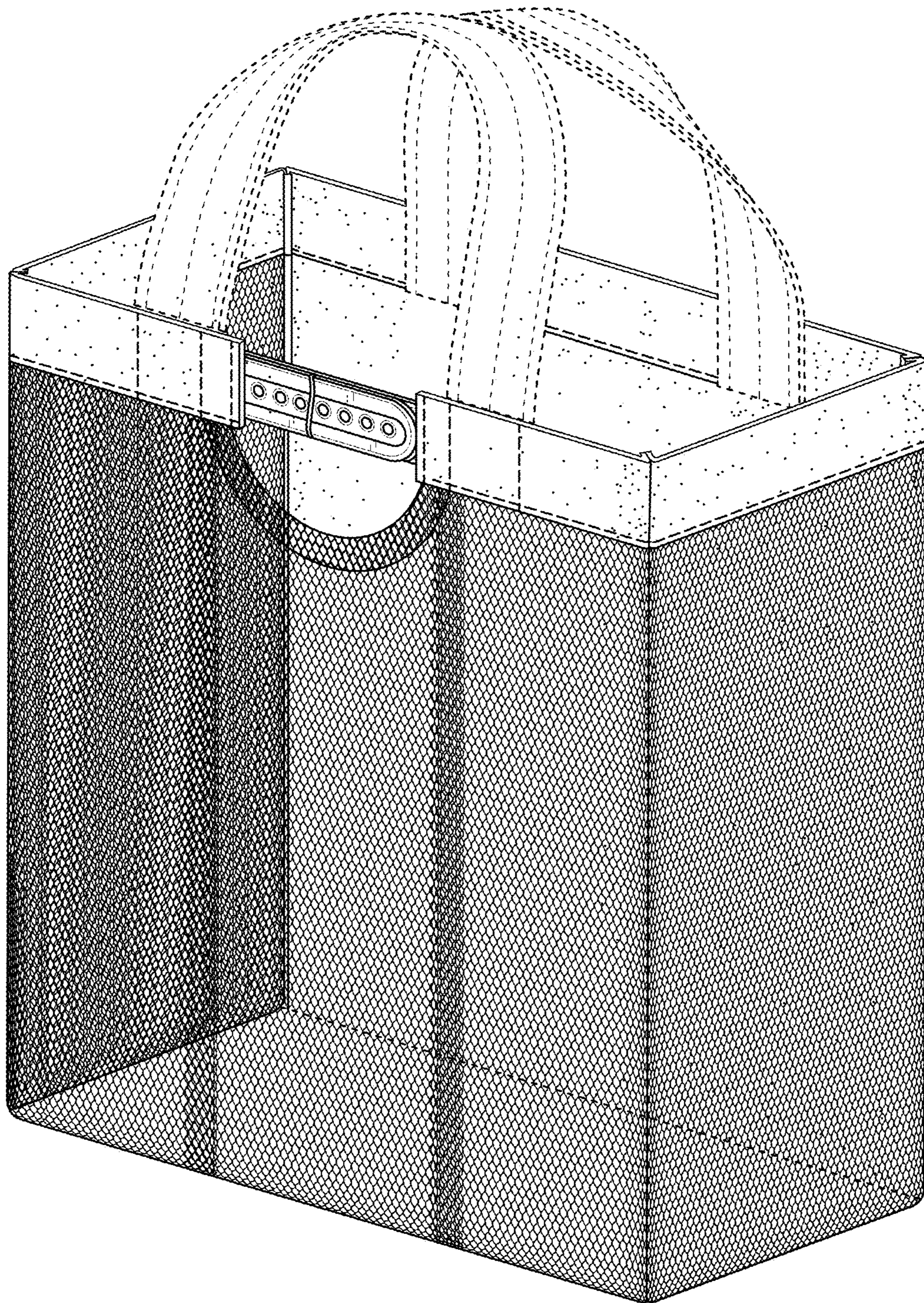


FIG. 1

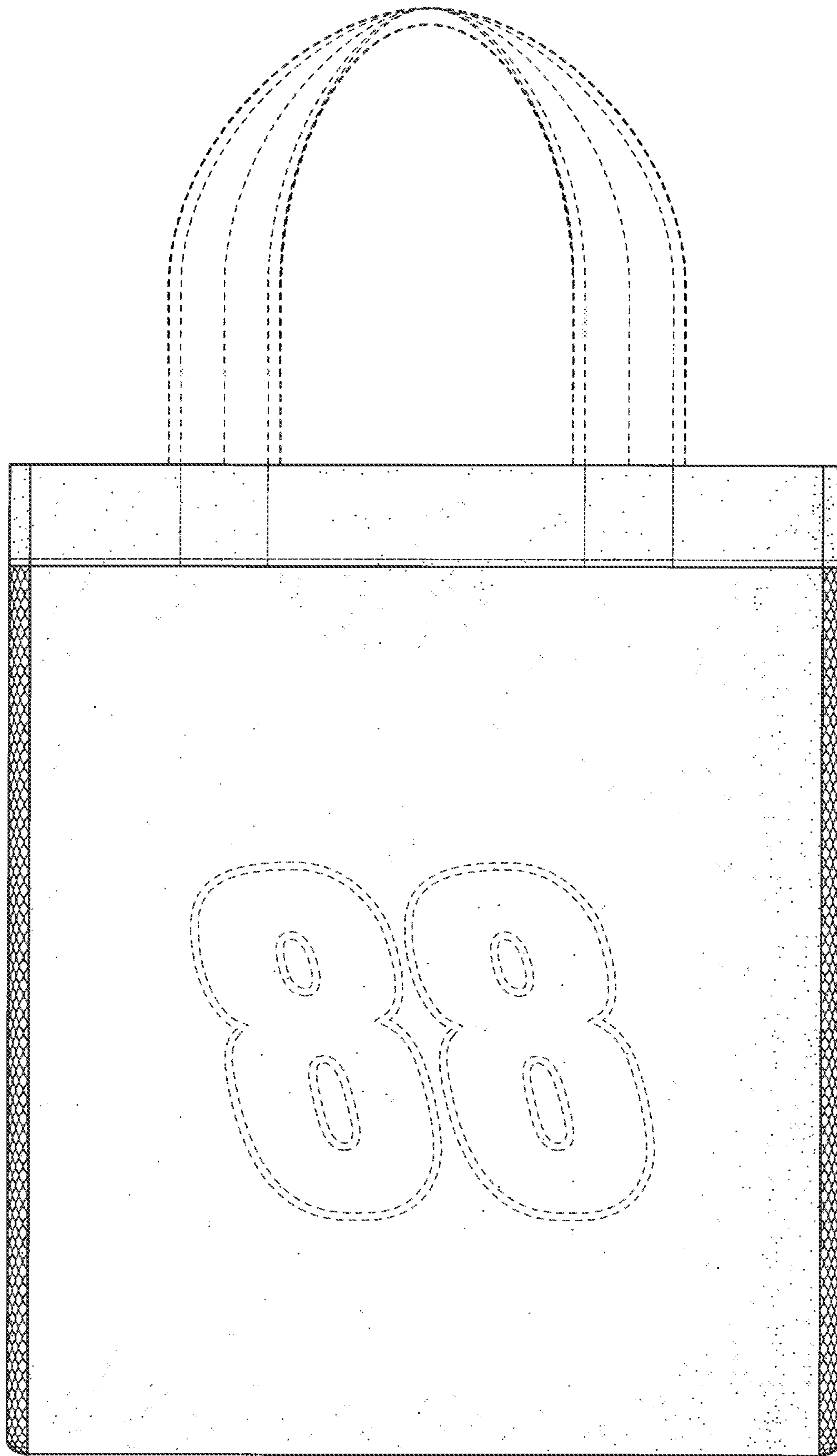


FIG. 2

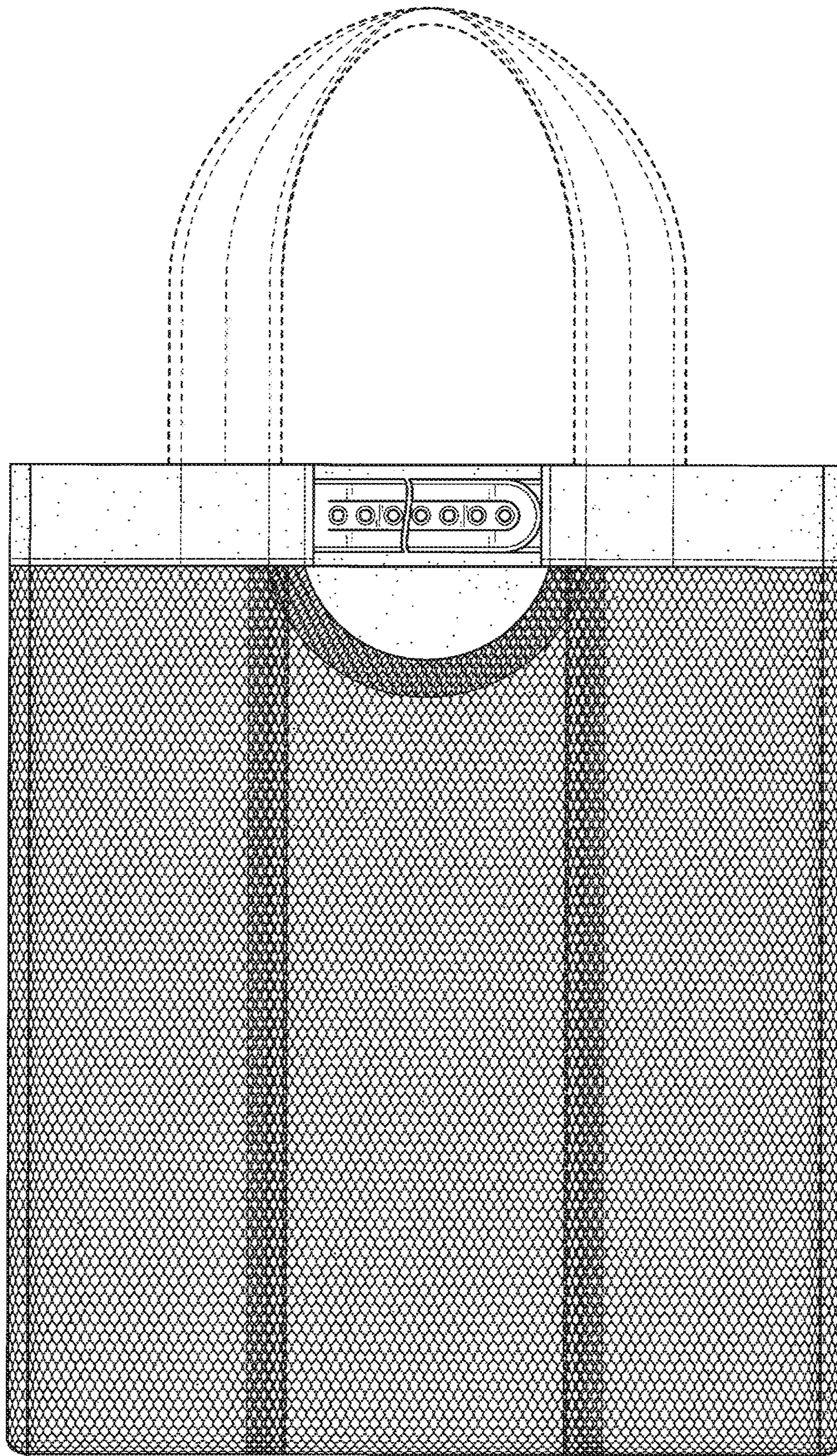


FIG. 3

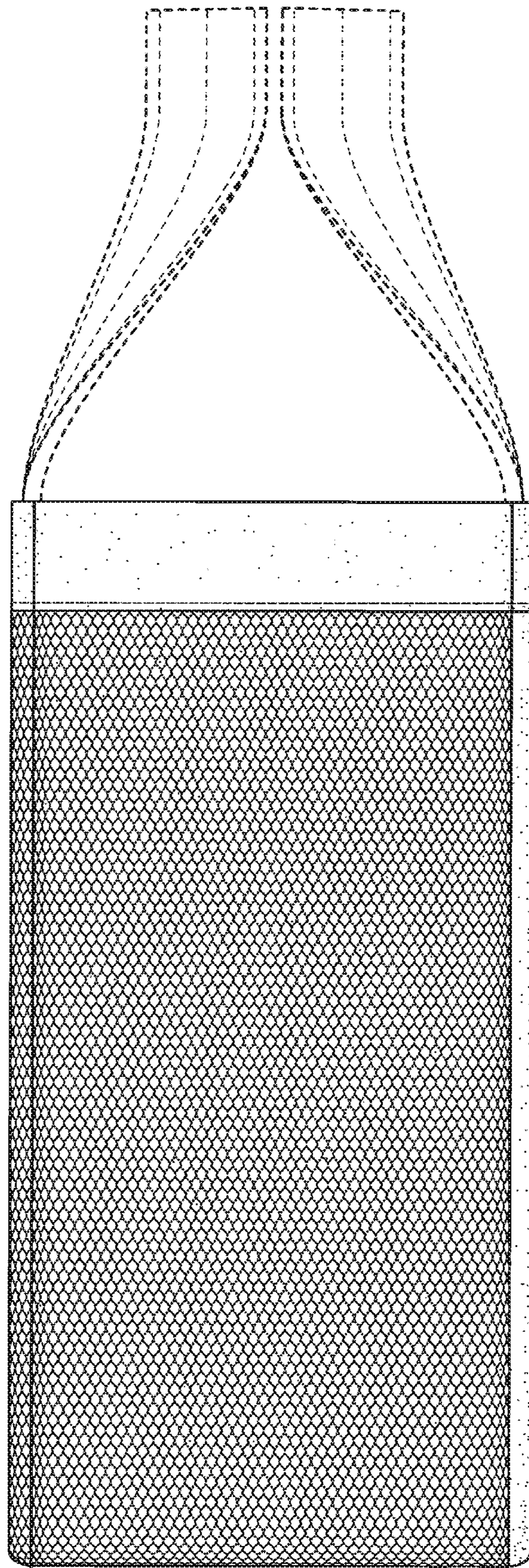


FIG. 4

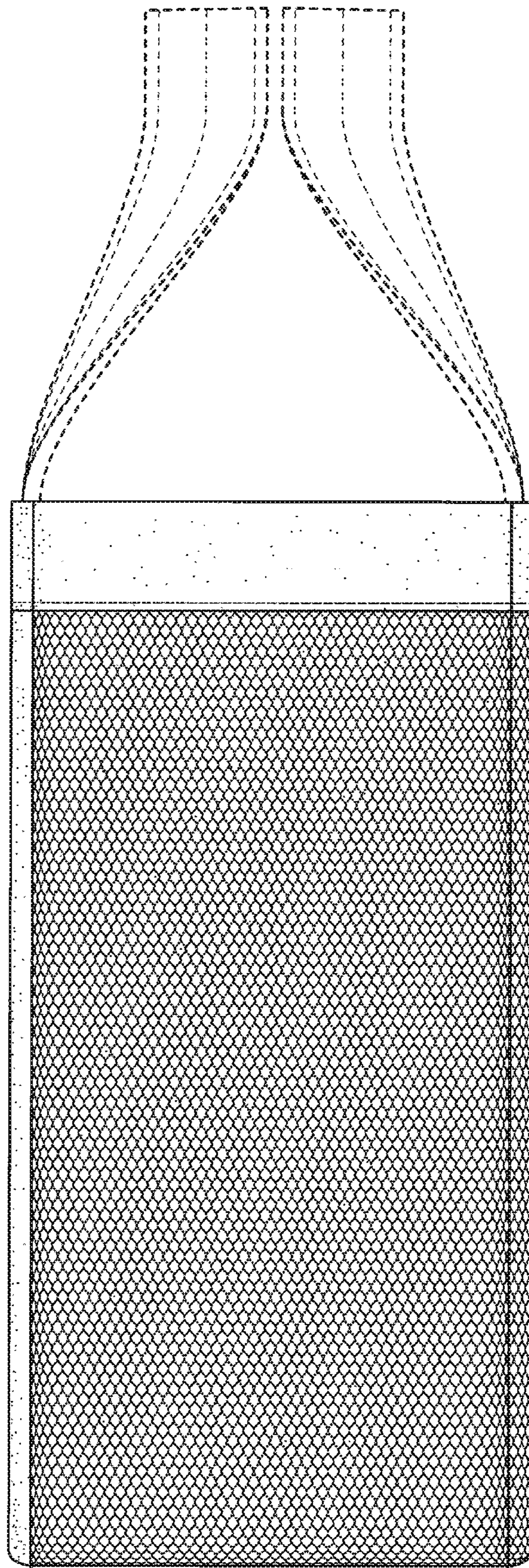


FIG. 5

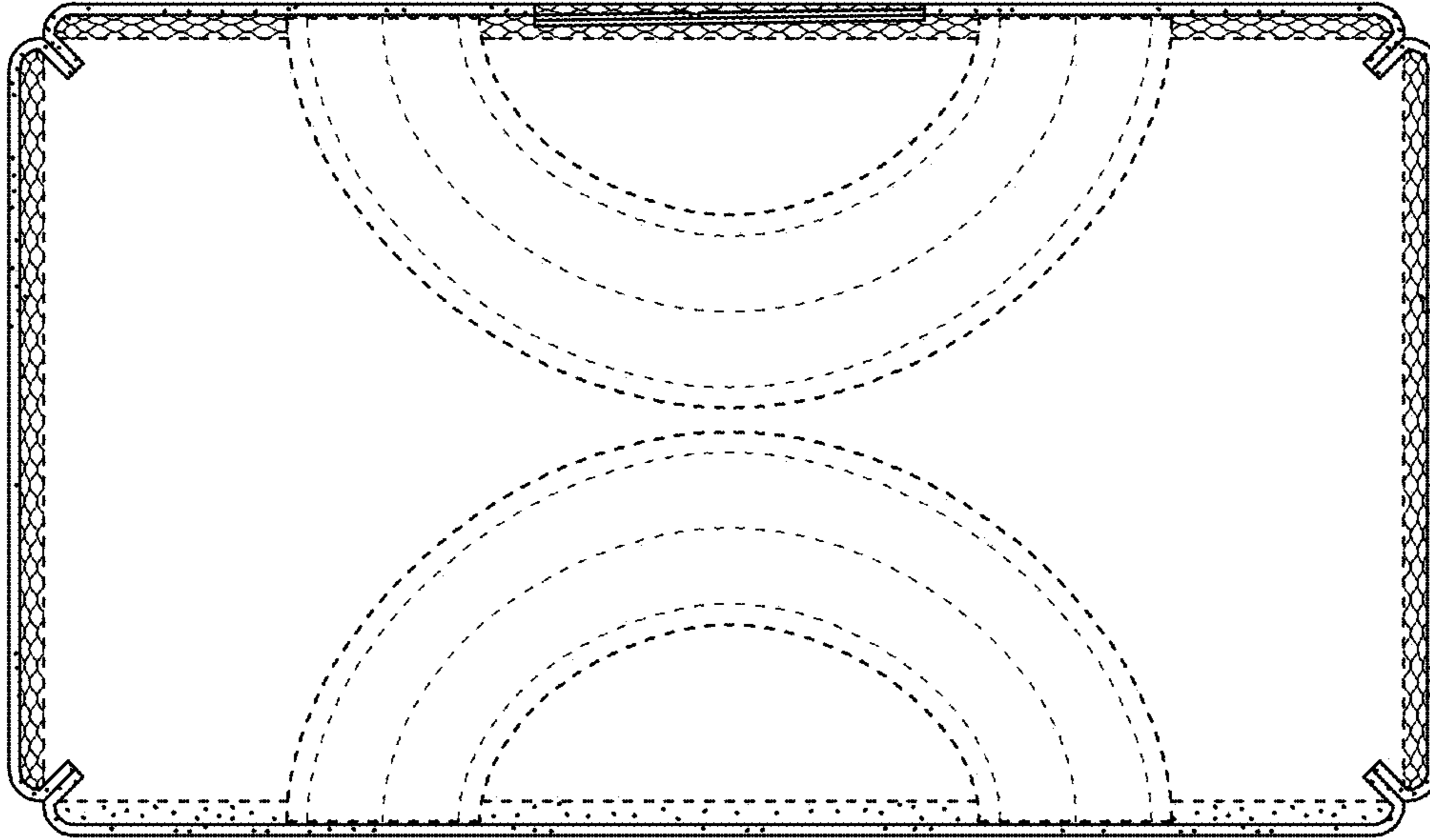


FIG. 6

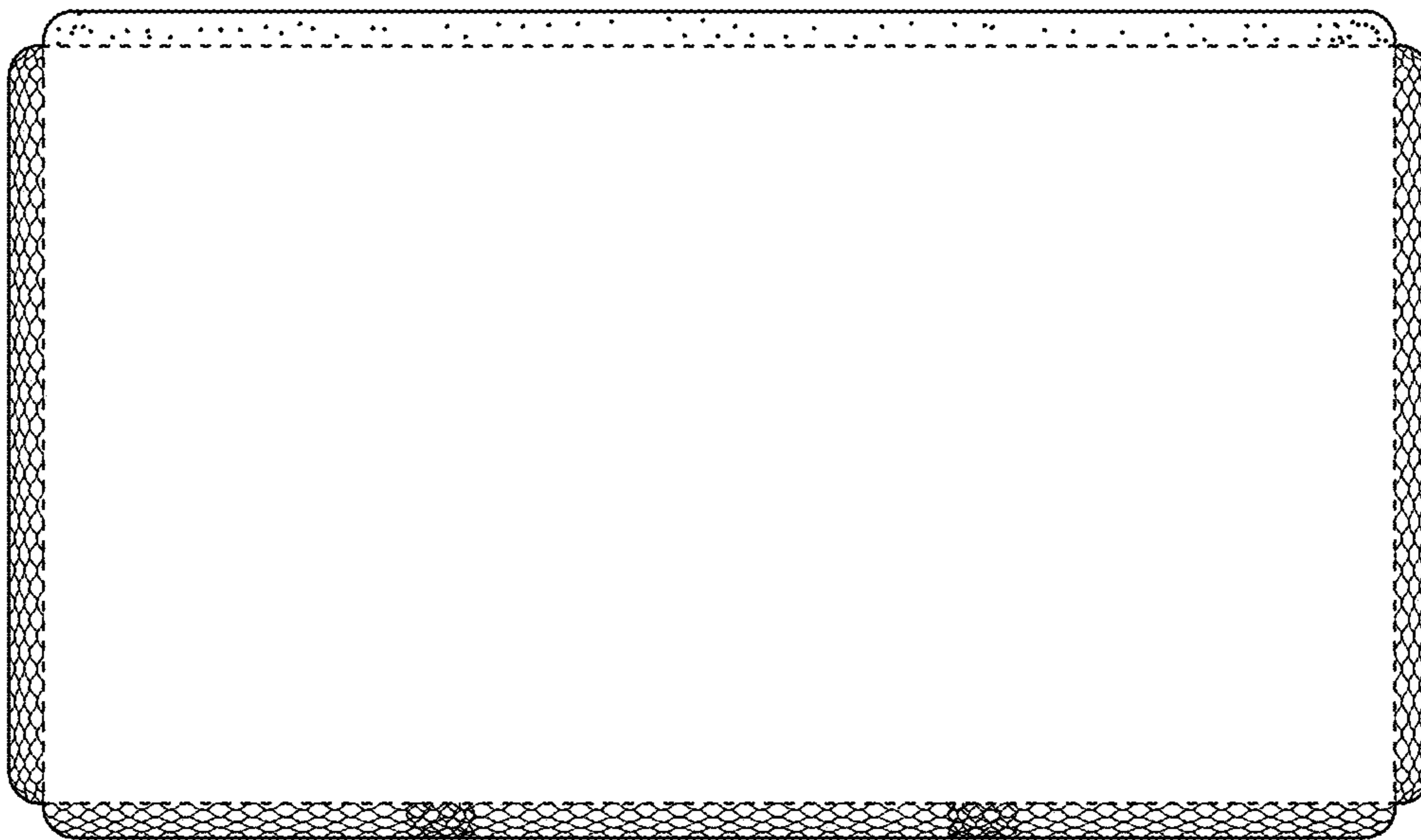


FIG. 7



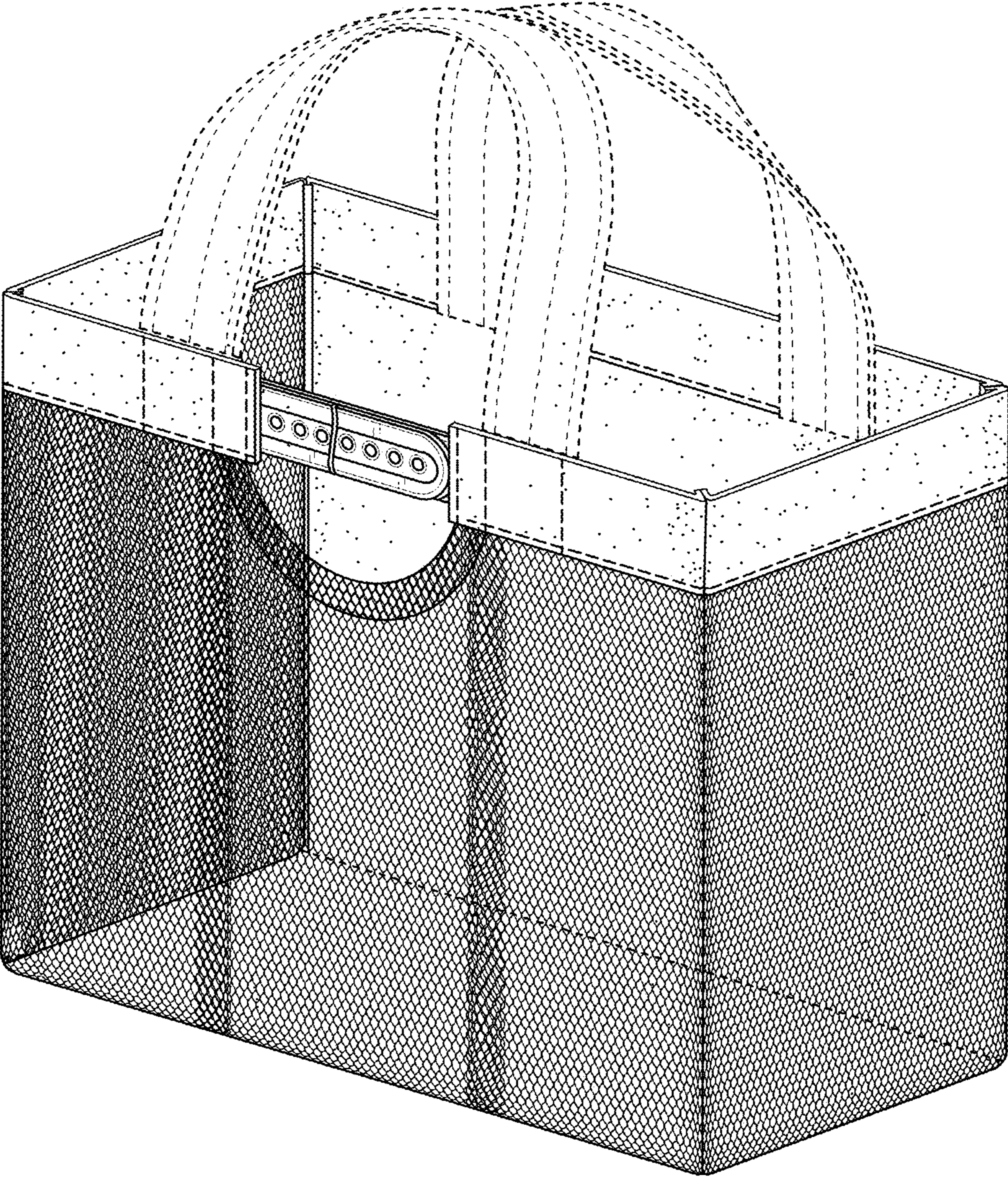


FIG. 8

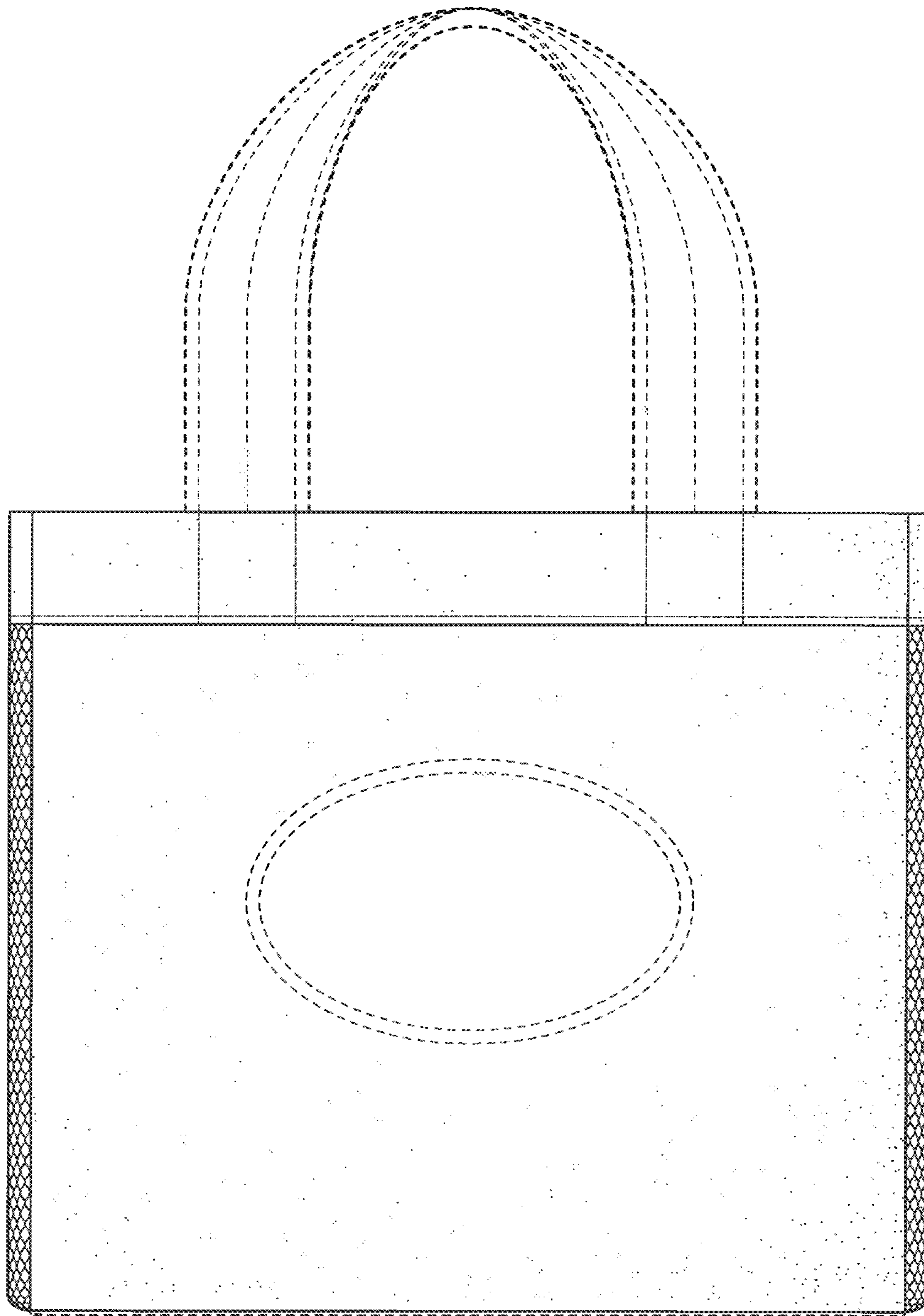


FIG. 9

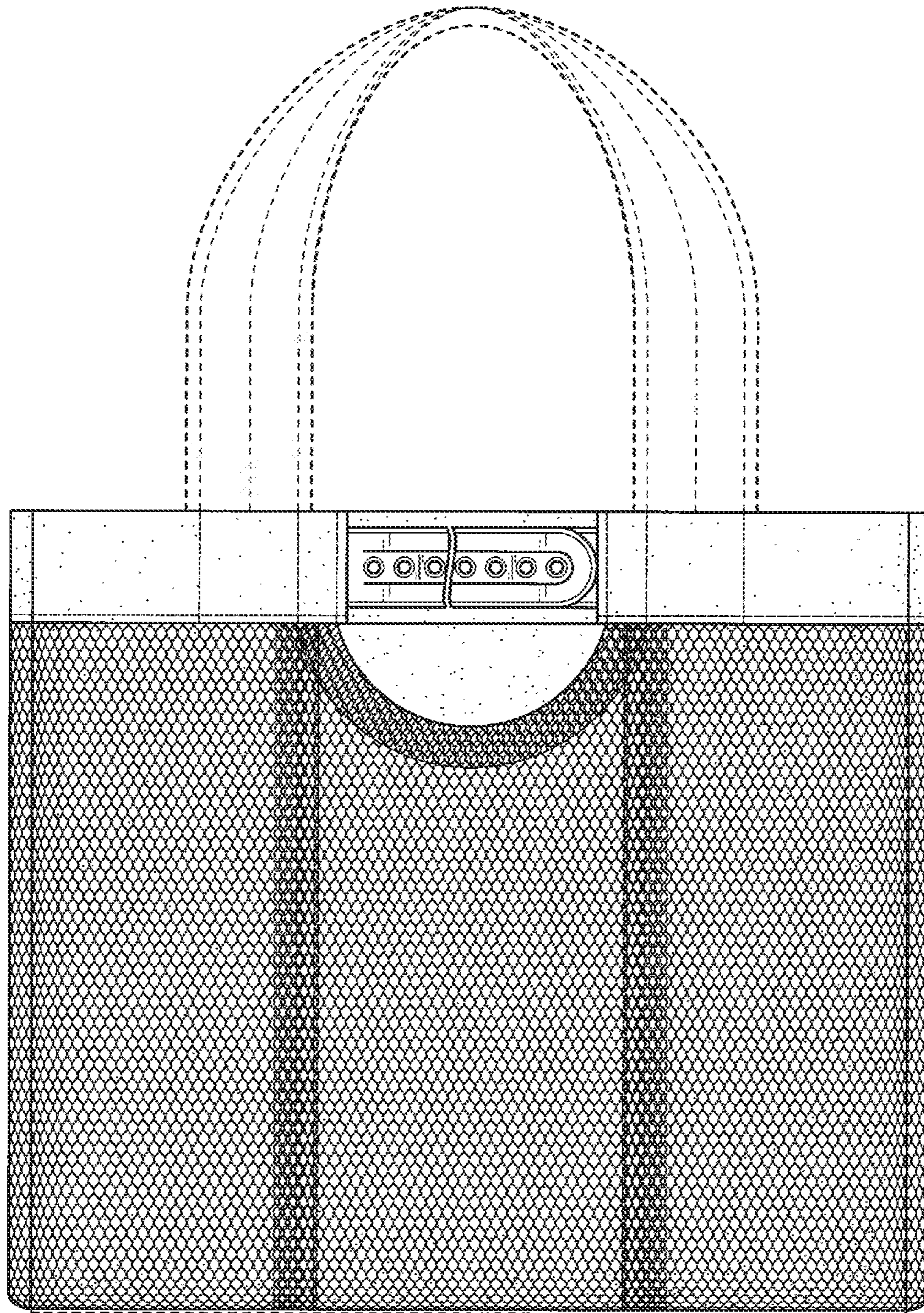


FIG. 10

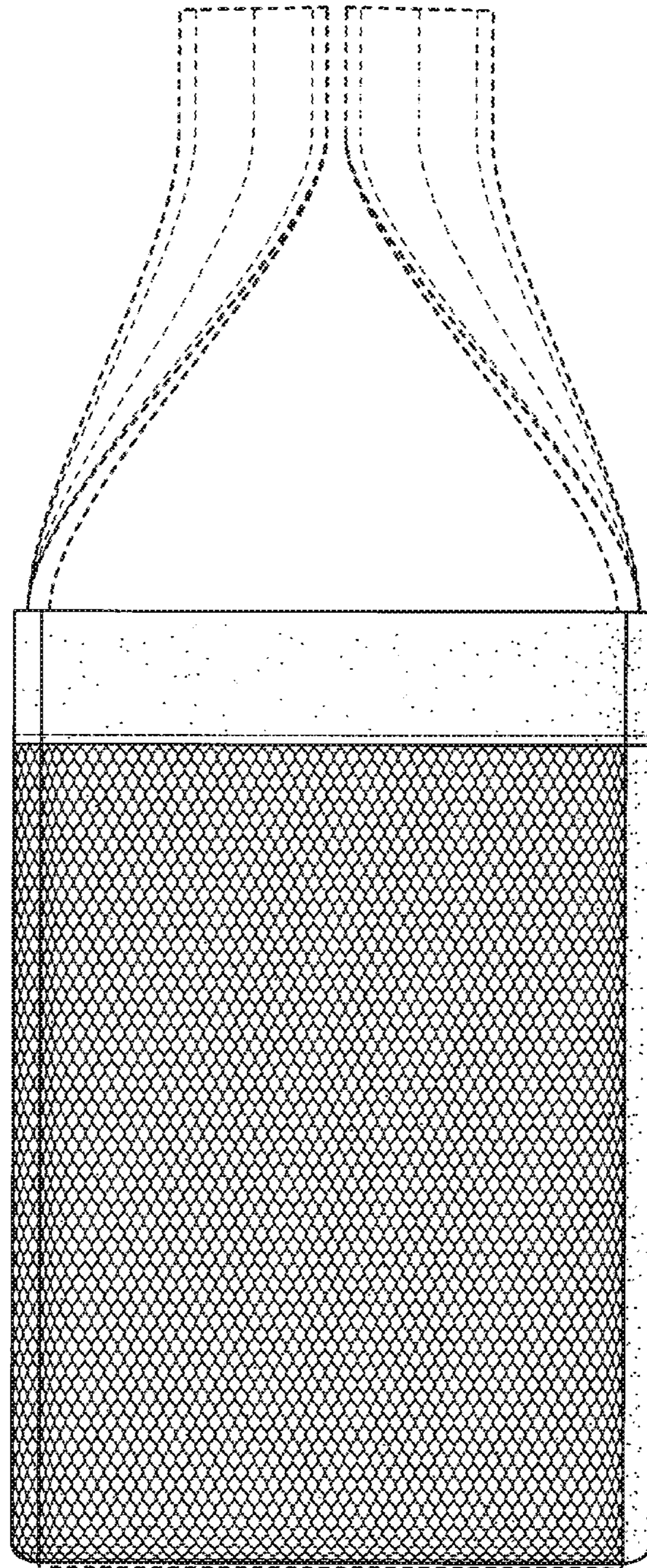


FIG. 11

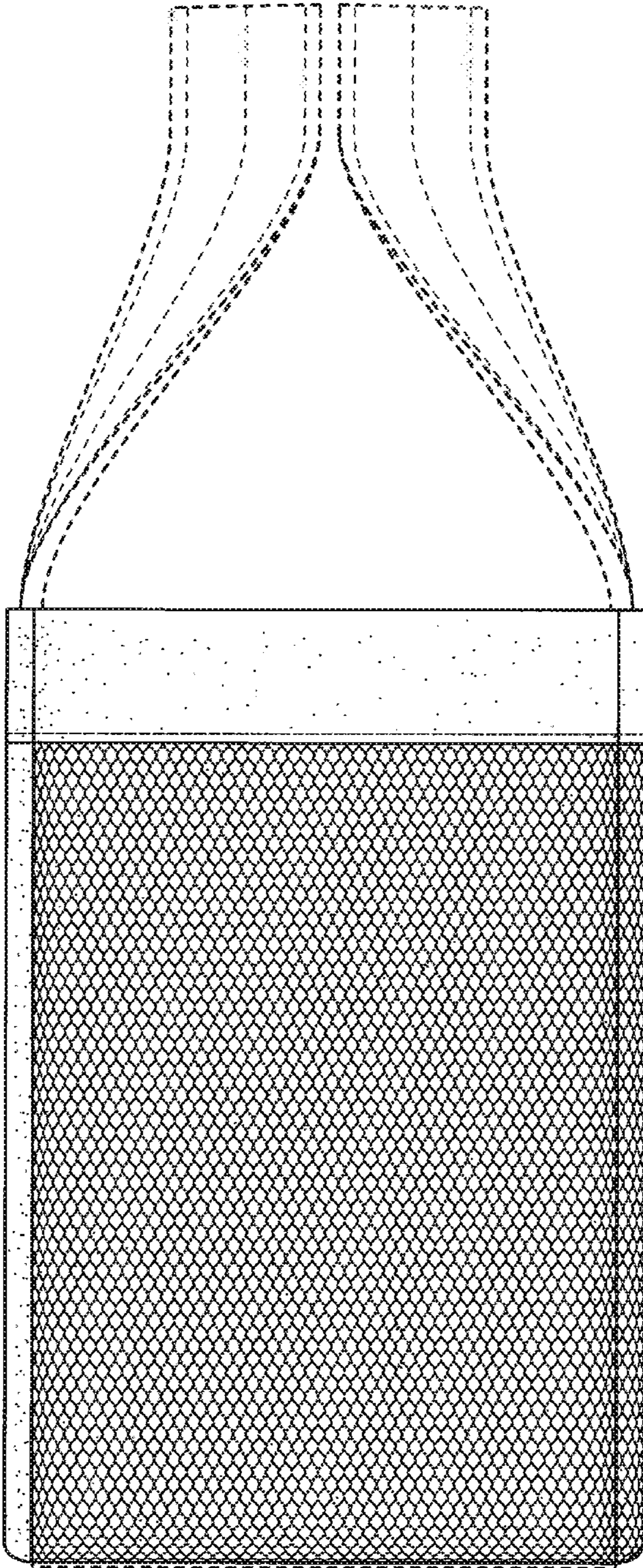


FIG. 12

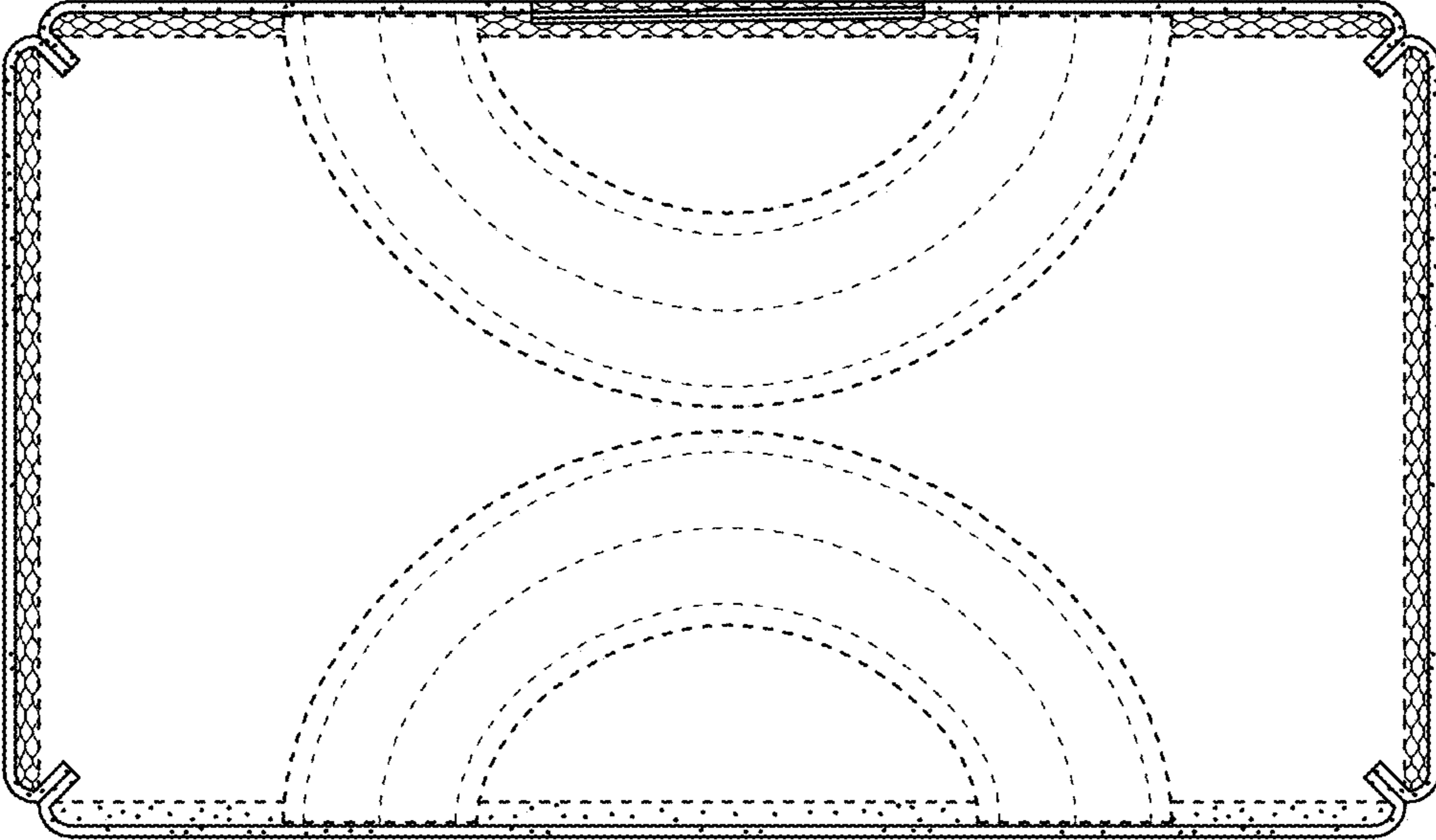


FIG. 13

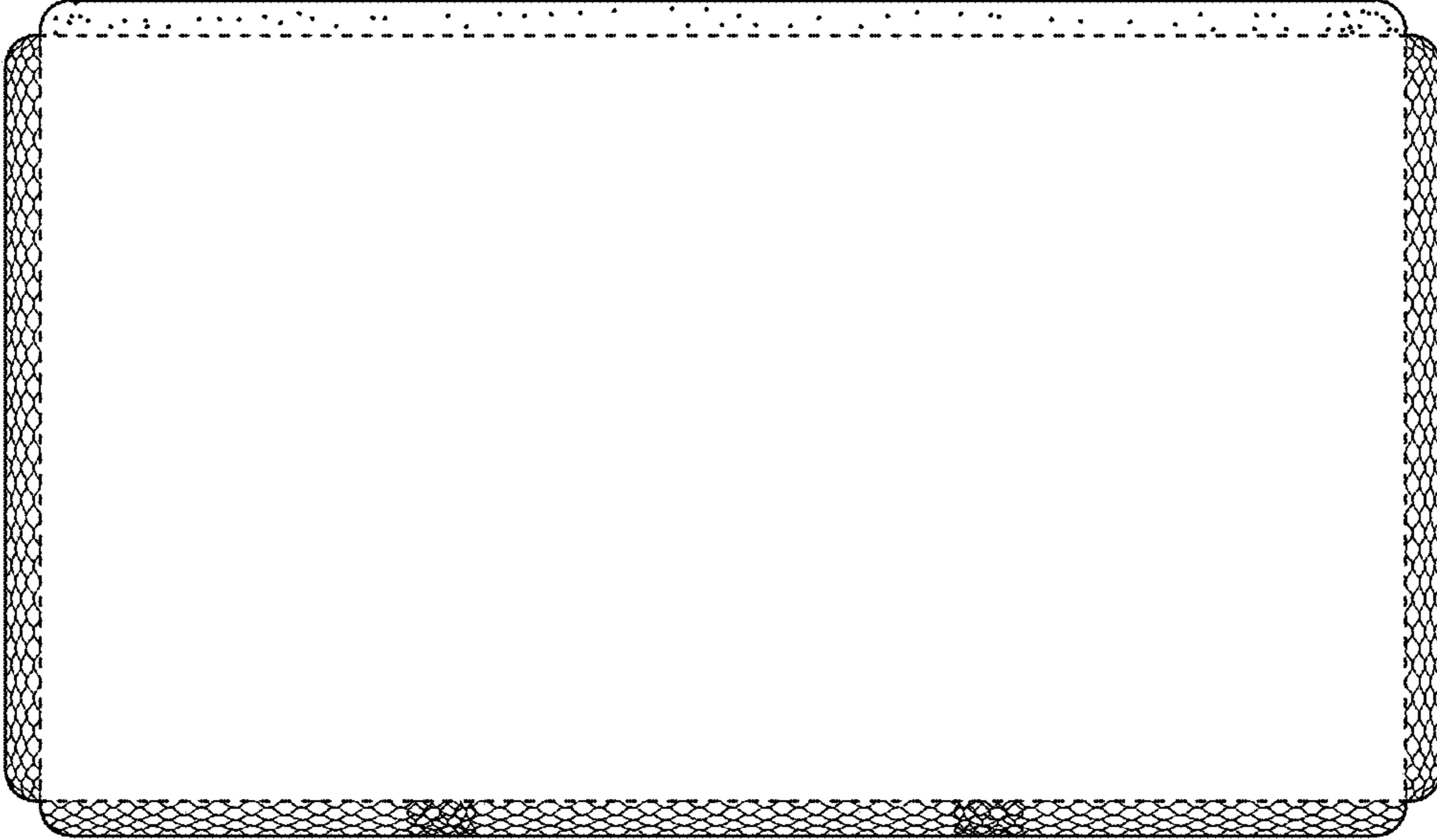


FIG. 14