



US00D979918S

(12) **United States Design Patent** (10) **Patent No.:** **US D979,918 S**  
**Walter et al.** (45) **Date of Patent:** **\*\* Mar. 7, 2023**

(54) **OUTDOOR SHADE**  
(71) Applicant: **Woodline Shade Solutions Inc.**, New York, NY (US)  
(72) Inventors: **Herrmann Fritjof Walter**, Eastern Cape (ZA); **Timothy Derrick Yates**, Gamtoos River Mouth (ZA)  
(73) Assignee: **Woodline Shade Solutions Inc.**, New York, NY (US)

8,302,616 B2 11/2012 Vanderminden, Sr.  
D814,173 S \* 4/2018 Ma ..... D3/10  
2009/0260664 A1\* 10/2009 Ma ..... A45B 25/02  
135/19.5  
2012/0180834 A1\* 7/2012 Pineda ..... A45B 25/10  
135/25.1

**FOREIGN PATENT DOCUMENTS**

SG U20051455A-0001 \* 8/2000  
WO 2012025894 A2 3/2012  
WO 2022003514 A1 1/2022  
ZA 201907633 11/2019

(\*\*) Term: **15 Years**  
(21) Appl. No.: **29/799,178**  
(22) Filed: **Jul. 13, 2021**  
(51) **LOC (14) Cl.** ..... **03-03**  
(52) **U.S. Cl.**  
USPC ..... **D3/10**  
(58) **Field of Classification Search**  
USPC ..... D3/5-17; D8/356, 382; D13/133, 154  
CPC ..... A45B 25/06; A45B 25/00; A45B 25/02;  
A45B 25/10  
See application file for complete search history.

**OTHER PUBLICATIONS**

youtube.com, Site visited Sep. 15, 2022, "Pendulum—Technical Overview" published by Woodline Shade Solutions on Feb. 7, 2018 features the Pendulum, [https://www.youtube.com/watch?v=fiAM3ita\\_nw&t=1s](https://www.youtube.com/watch?v=fiAM3ita_nw&t=1s) (Year: 2018).\*

(Continued)

*Primary Examiner* — Brett Miller  
*Assistant Examiner* — Jessica M Gebhart  
(74) *Attorney, Agent, or Firm* — Womble Bond Dickinson (US) LLP

(56) **References Cited**

**U.S. PATENT DOCUMENTS**

76,259 A \* 3/1868 Smith ..... A45B 25/06  
135/28  
5,740,826 A 4/1998 Nevin et al.  
5,964,235 A \* 10/1999 Wang ..... A45B 25/08  
135/39  
D465,915 S \* 11/2002 Earnshaw ..... D3/10  
6,810,893 B1 11/2004 Nevin  
7,861,734 B2\* 1/2011 Ma ..... A45B 25/14  
135/38  
8,230,869 B2 7/2012 Vanderminden, Sr.

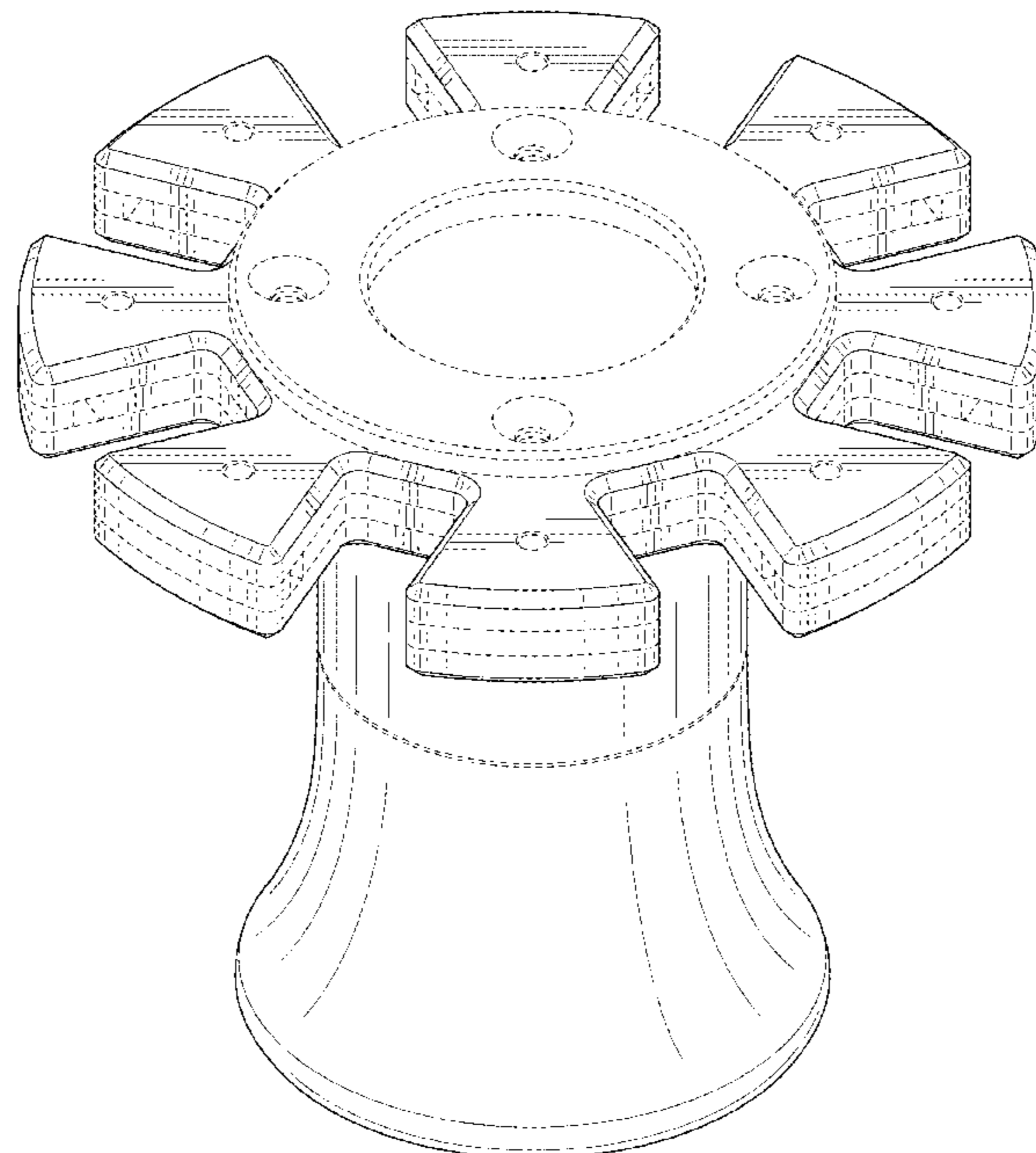
(57) **CLAIM**

We claim the ornamental design for an outdoor shade, as shown and described.

**DESCRIPTION**

FIG. 1 is a perspective view of an outdoor shade;  
FIG. 2 is a side view of an outdoor shade;  
FIG. 3 is a top view of an outdoor shade; and,  
FIG. 4 is a bottom view of an outdoor shade.  
The dash-dash lines in the Figures represent unclaimed elements that form no part of the claimed design.

**1 Claim, 4 Drawing Sheets**



(56)

**References Cited**

OTHER PUBLICATIONS

Amazon.ca, Site visited Sep. 15, 2022, Ginelite 10ft Patio Umbrella, First available Nov. 1, 2020, <https://www.amazon.ca/Ginelite-Umbrella-Outdoor-Market-Protection/dp/B08H1J6K7L> (Year: 2020).\*

Wayfair.com, site visited Sep. 15, 2022, Innes 132" Market Sunbrella Umbrella, oldest review dated Feb. 19, 2021, <https://www.wayfair.com/outdoor/pdp/arlmont-co-innes-11-market-sunbrella-umbrella-w004108025.html?piid=1808736604%2C1808736605> (Year: 2021).\*

Cape Umbrellas, Bush for Umbrella, Request for the Registration of a Design, Application No. A2020/01265, Sep. 9, 2020, 2 pages, Stegmanns Inc., Cape Town, South Africa.

Cape Umbrellas, Bush for Umbrella, Application and Acknowledgement (request for the registration of a functional design), Application No. F2020/01266, Sep. 9, 2020, 6 pages, Stegmanns Inc., Cape Town, South Africa.

Cape Umbrellas, Bush for Umbrella, Request for the Registration of a Design, Application No. A2020/01267, Sep. 22, 2020, 2 pages, Stegmanns Inc., Cape Town, South Africa.

Cape Umbrellas, Bush for Umbrella, Application and Acknowledgement (request for the registration of a functional design), Application No. F2020/01268, Sep. 9, 2020, 6 pages, Stegmanns Inc., Cape Town, South Africa.

Cape Umbrellas, Tube for Umbrella, Request for the Registration of a Design, Application No. A2020/01269, Sep. 22, 2020, 2 pages, Stegmanns Inc., Cape Town, South Africa.

Cape Umbrellas, Tube for Umbrella, Application and Acknowledgement (request for the registration of a functional design), Application No. F2020/01270, Sep. 22, 2020, 7 pages, Stegmanns Inc., Cape Town, South Africa.

Cape Umbrellas, Dome for Umbrella, Request for the Registration of a Design, Application No. A2020/01271, Sep. 22, 2020, 2 pages, Stegmanns Inc., Cape Town, South Africa.

Cape Umbrellas, Dome for Umbrella, Application and Acknowledgement (request for the registration of a functional design), Application No. F2020/01272, Sep. 22, 2020, 6 pages, Stegmanns Inc., Cape Town, South Africa.

\* cited by examiner

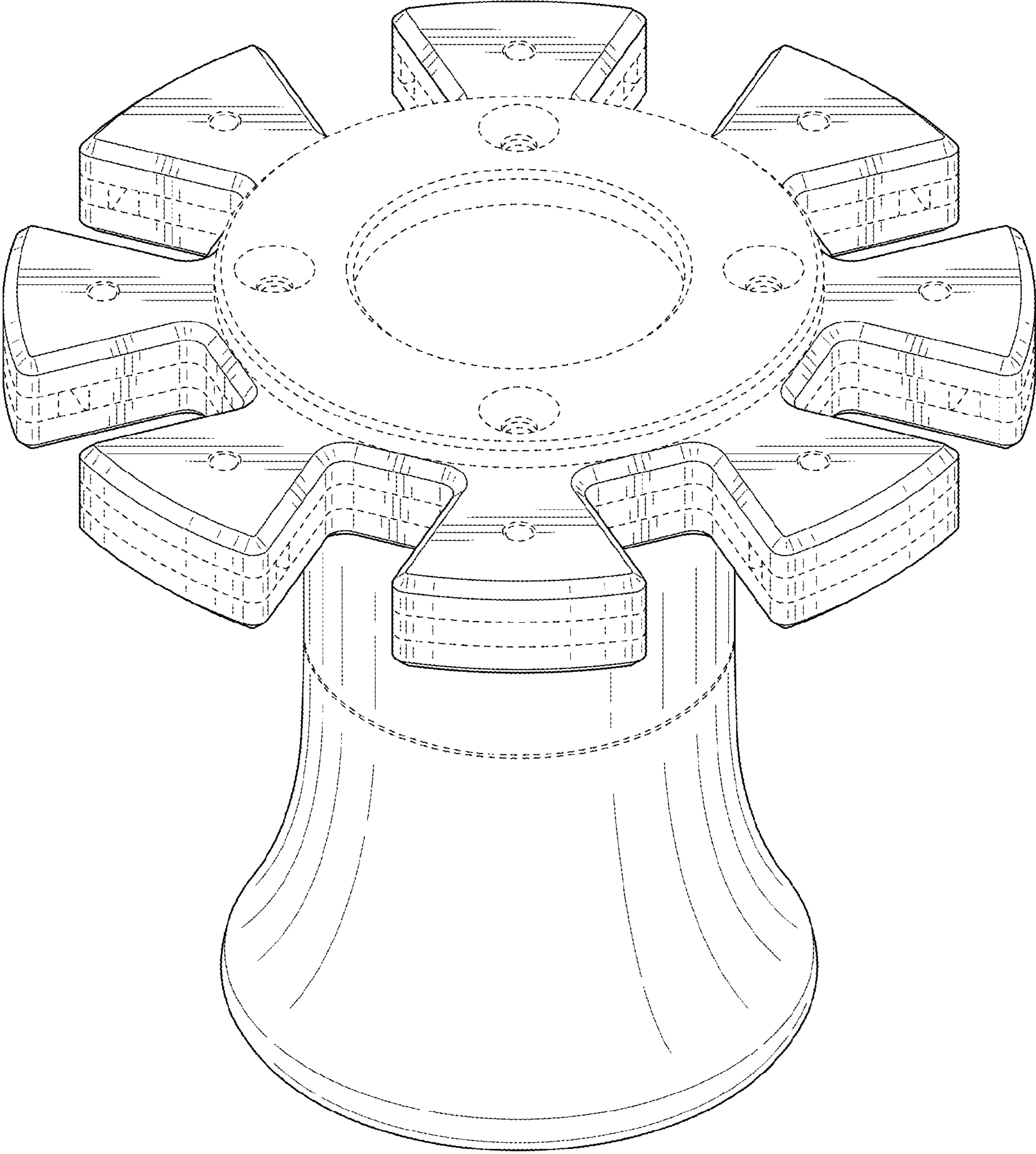
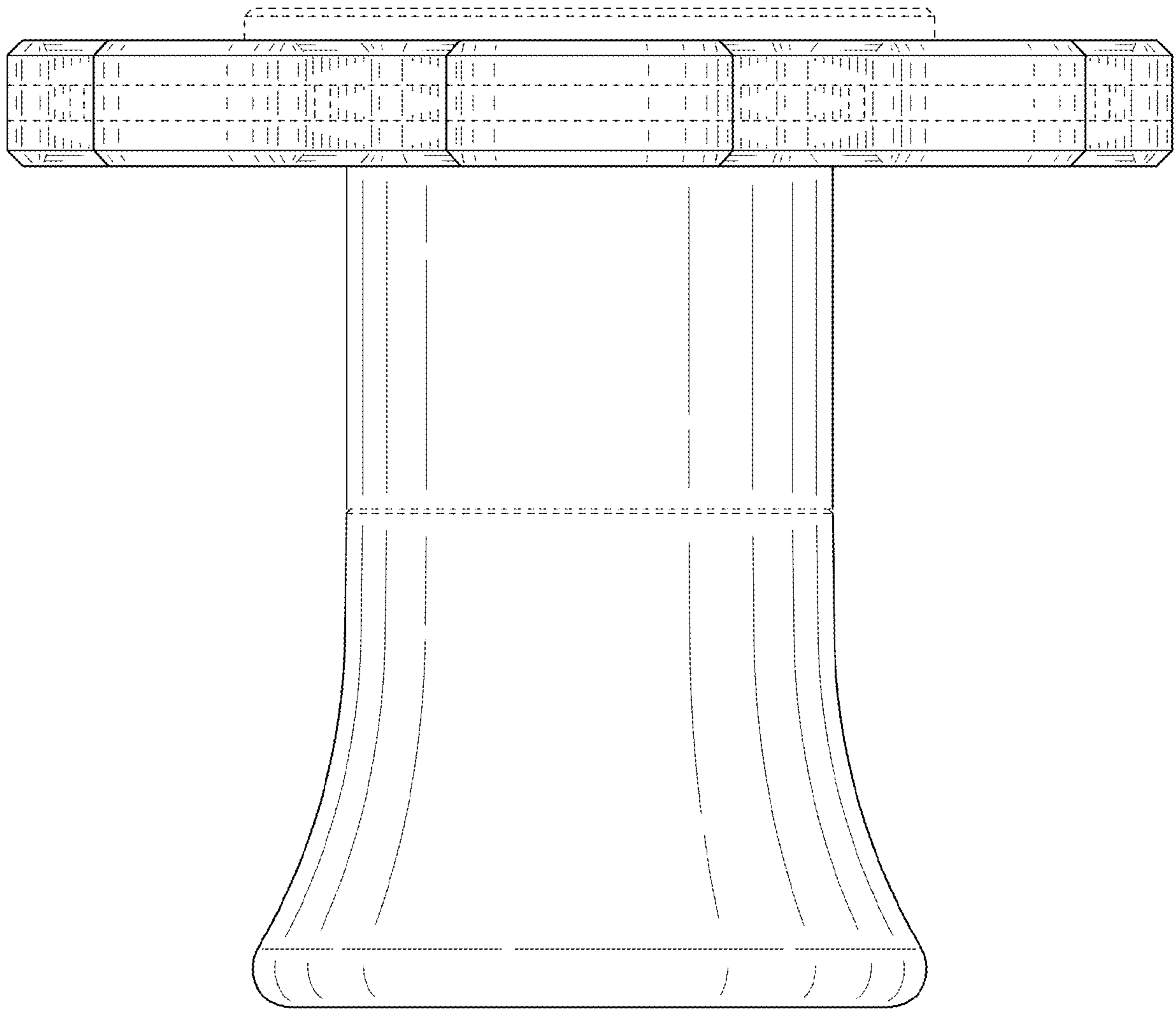


FIG. 1



**FIG. 2**



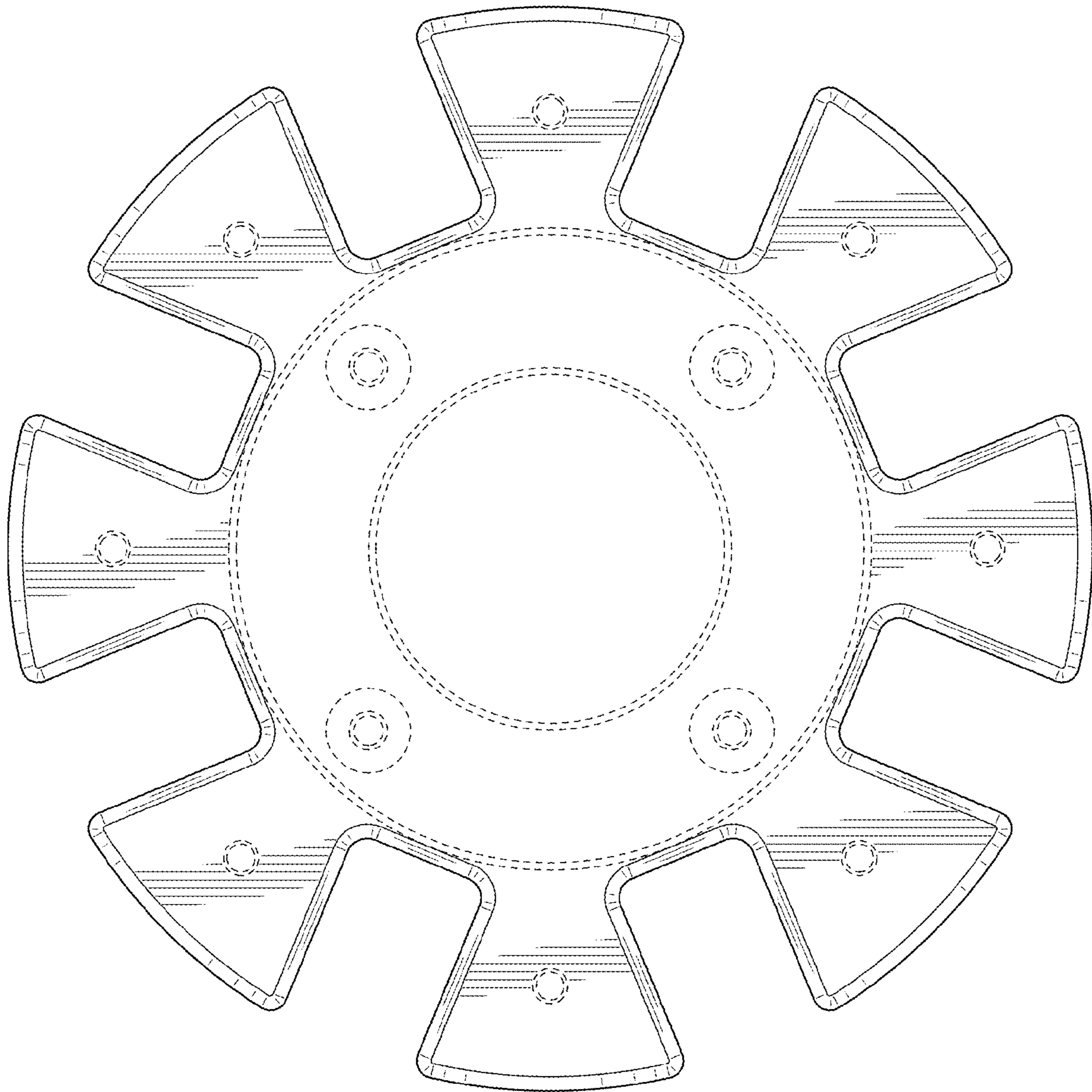


FIG. 3

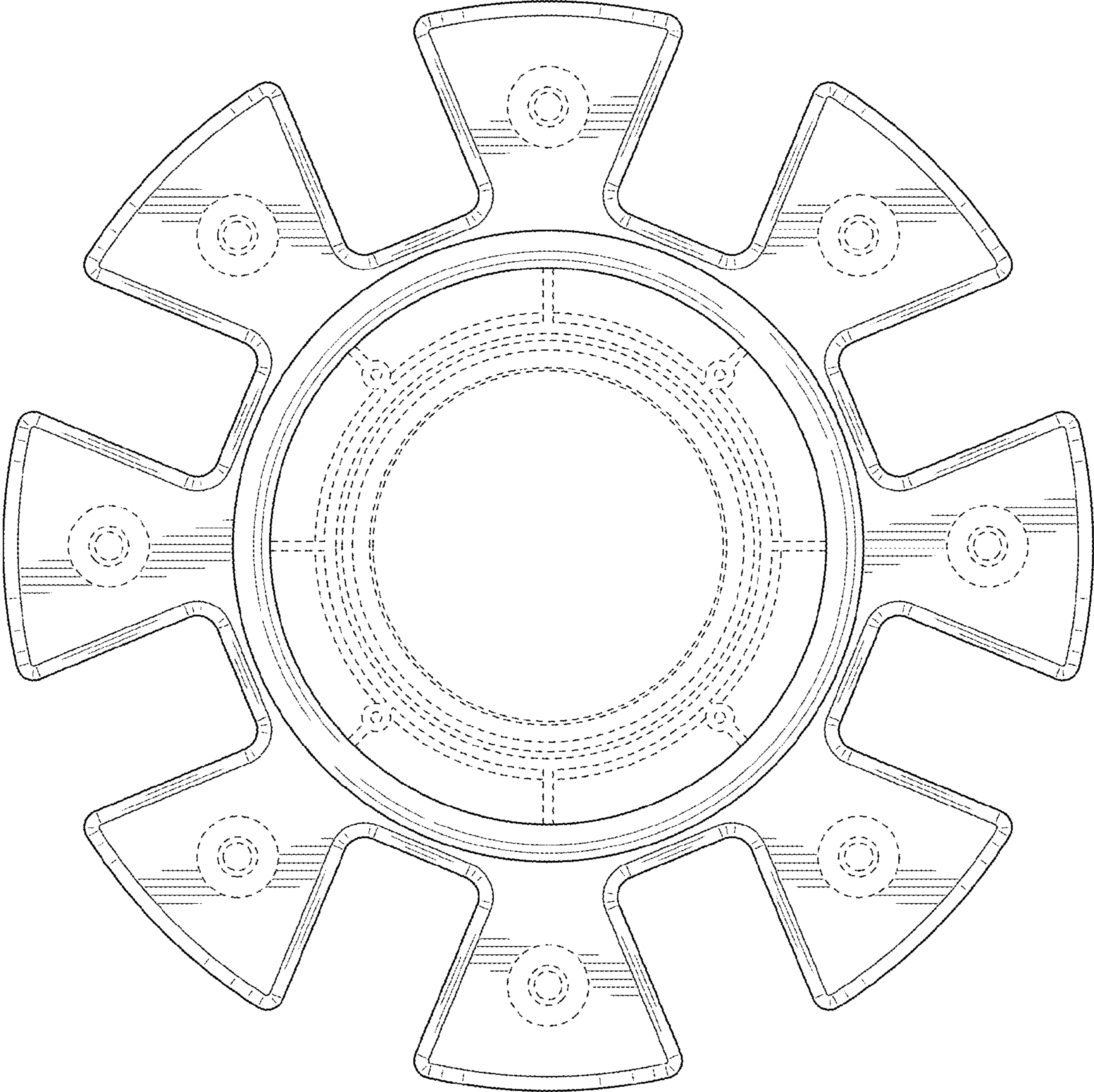


FIG. 4