



US00D979903S

(12) **United States Design Patent**
Gonzales

(10) **Patent No.:** **US D979,903 S**
(45) **Date of Patent:** **** Mar. 7, 2023**

(54) **SHOE BOTTOM CLEANSING APPARATUS**

5,701,688 A 12/1997 Crowley
D394,147 S * 5/1998 Schenone D2/972
D394,745 S * 6/1998 Egelja D8/395
(Continued)

(71) Applicant: **Stomp Patent LLC**, Cherry Hills Village, CO (US)

(72) Inventor: **David Gonzales**, Cherry Hills Village, CO (US)

(73) Assignee: **Stomp Patent LLC**, Cherry Hills Village, CO (US)

(**) Term: **15 Years**

(21) Appl. No.: **29/791,390**

(22) Filed: **Jan. 10, 2022**

(51) **LOC (14) Cl.** **02-04**

(52) **U.S. Cl.**
USPC **D2/946**

(58) **Field of Classification Search**
USPC D2/902, 907, 908, 944-946, 969, 972,
D2/974, 976, 977

CPC A43C 11/165; A43C 11/00; A43C 11/004;
A43C 11/005; A43C 11/04; A43C 11/06;
A43C 11/1493; A43C 11/16; A43B 5/00;
A43B 5/06; A43B 5/10; A43B 23/214

See application file for complete search history.

(56) **References Cited**

U.S. PATENT DOCUMENTS

3,027,660 A	4/1962	Werner
3,176,416 A	4/1965	Seegert
4,507,882 A	4/1985	Harrell
4,823,426 A	4/1989	Bragga
4,837,960 A	6/1989	Skaja
5,234,230 A	8/1993	Crane et al.
5,421,106 A	6/1995	Emrick
5,454,172 A	10/1995	Crigger
5,471,768 A	12/1995	Pryor
5,555,564 A	9/1996	Welch
D377,410 S	1/1997	Crowley

FOREIGN PATENT DOCUMENTS

EM 001605437-0001 * 9/2009
KR 10-1368503 B1 2/2014

OTHER PUBLICATIONS

International Search Report and Written Opinion received for PCT Patent Application No. PCT/US2019/050235, dated Nov. 12, 2019, 6 pages.

(Continued)

Primary Examiner — Kevin K Rudzinski
Assistant Examiner — Richard E Yenchesky
(74) *Attorney, Agent, or Firm* — Faegre Drinker Biddle & Reath LLP

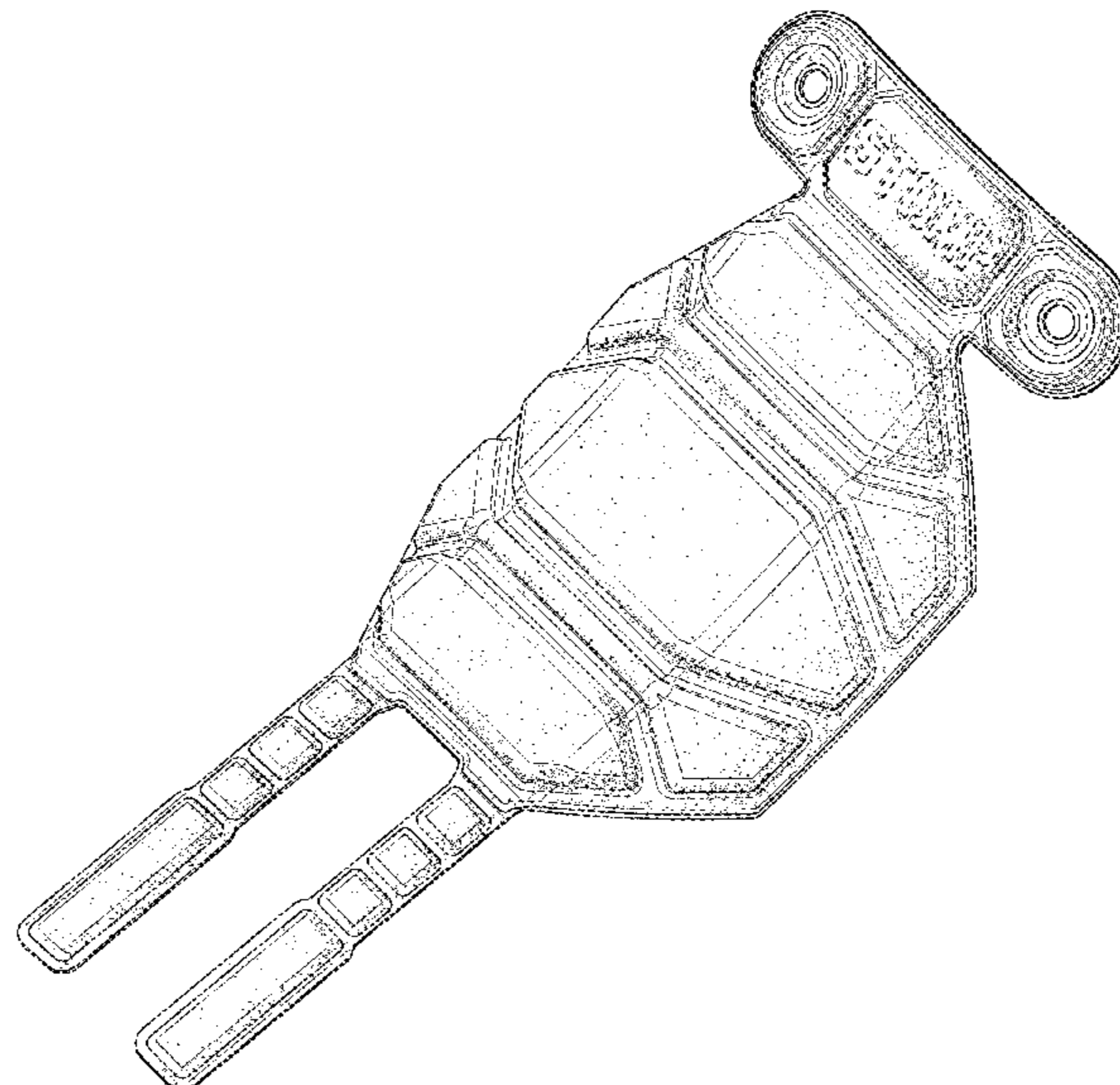
(57) **CLAIM**

The ornamental design for a shoe bottom cleansing apparatus, as shown and described.

DESCRIPTION

FIG. 1 is a top perspective view of a shoe bottom cleansing apparatus illustrating my new design; FIG. 2 is a top plan view thereof; FIG. 3 is a bottom plan view thereof; FIG. 4 is a left side elevation view thereof; FIG. 5 is a right side elevation view thereof; FIG. 6 is a rear elevation view thereof; FIG. 7 is a front elevation view thereof; and, FIG. 8 is a top perspective view of the shoe bottom cleaning apparatus coupled to an exemplary shoe environment. The broken lines illustrate portions of the shoe bottom cleaning apparatus that form no part of the claimed design. In FIG. 8, the broken lines illustrate an exemplary shoe environment that forms no part of the claimed design.

1 Claim, 8 Drawing Sheets



(56)

References Cited

U.S. PATENT DOCUMENTS

5,829,170 A 11/1998 Lutz, Jr.
 5,930,920 A 8/1999 Arnold
 5,943,792 A 8/1999 Powell
 6,000,111 A * 12/1999 Deskins A43C 7/02
 24/712.1
 D418,967 S 1/2000 Stengel
 6,128,801 A 10/2000 Adzick et al.
 D456,596 S 5/2002 Hannah
 6,460,274 B1 10/2002 Mateu
 D467,708 S * 12/2002 Portzline D2/972
 6,601,323 B2 * 8/2003 Tsujino A43C 7/02
 24/712.3
 6,729,058 B2 5/2004 Ferguson
 6,754,984 B2 * 6/2004 Schaudt A43B 5/02
 36/134
 6,779,280 B2 8/2004 Wright et al.
 D518,628 S * 4/2006 Hatakeyama D2/946
 D550,430 S 9/2007 Martin, Jr.
 7,316,082 B2 1/2008 Hernandez et al.
 D570,092 S * 6/2008 Della Valle D2/976
 7,392,603 B1 7/2008 Shepherd et al.
 D583,542 S * 12/2008 Gerber D2/962
 D584,494 S * 1/2009 Vasyli D2/961
 7,523,567 B1 4/2009 McClelland
 D601,790 S * 10/2009 Kennedy D2/976
 D601,792 S * 10/2009 Kennedy D2/976
 D609,896 S * 2/2010 Christie D2/916
 D615,285 S * 5/2010 Martin D2/976
 D615,743 S * 5/2010 Le D2/943
 D616,188 S * 5/2010 Chan D2/977
 D691,356 S 10/2013 Whittington
 8,959,801 B1 2/2015 Siragusa, Jr.
 9,032,583 B2 5/2015 Mclaughlin et al.
 D739,625 S 9/2015 Saigol
 D765,957 S * 9/2016 Dupuy D2/946
 D771,934 S 11/2016 Scott, Jr.
 9,498,105 B2 11/2016 Mclaughlin et al.
 9,781,968 B2 10/2017 Meraw et al.
 9,833,043 B2 12/2017 Ganci
 D809,255 S 2/2018 Warner

D816,980 S 5/2018 Chang
 D873,551 S * 1/2020 Ausura D2/978
 10,576,341 B2 3/2020 Engel
 D895,261 S * 9/2020 Cureton D2/976
 10,779,706 B1 9/2020 Gonzales
 D930,959 S * 9/2021 Gonzales A43B 5/00
 D2/946
 D943,739 S * 2/2022 Alkmin D24/124
 D949,330 S * 4/2022 Alkmin D24/124
 D957,102 S * 7/2022 Snyder D2/976
 D959,060 S * 7/2022 Dulude D29/121.2
 D959,108 S * 8/2022 Jonsson D2/946
 D959,756 S * 8/2022 Dulude D29/121.2
 2001/0042324 A1 11/2001 Filice
 2002/0144434 A1 10/2002 Farys et al.
 2004/0134099 A1 7/2004 Jones et al.
 2008/0098625 A1 5/2008 Salvatore
 2008/0163516 A1 7/2008 Camarillo
 2008/0190975 A1 8/2008 Naughton
 2010/0325922 A1 12/2010 Esposito et al.
 2011/0016617 A1 1/2011 Shrewsburg
 2011/0078926 A1 4/2011 Watkins
 2011/0083341 A1 4/2011 Baum
 2011/0225844 A1 9/2011 Hughes
 2012/0124863 A1 5/2012 Aveni et al.
 2012/0167418 A1 7/2012 Frappier
 2012/0317842 A1 12/2012 McClelland
 2014/0047652 A1 2/2014 Mclaughlin et al.
 2014/0157625 A1 6/2014 Smaldone et al.
 2015/0305433 A1 10/2015 Meraw et al.
 2017/0095032 A1 4/2017 Lacroix et al.
 2020/0229677 A1 7/2020 Gonzales
 2021/0022453 A1 1/2021 Gonzales

OTHER PUBLICATIONS

U.S. Appl. No. 29/721,858, titled Shoe Bottom Cleansing Apparatus
 and filed Jan. 23, 2020.
 U.S. Appl. No. 29/730,295, titled Shoe Bottom Cleansing Apparatus
 and filed Apr. 2, 2020.

* cited by examiner

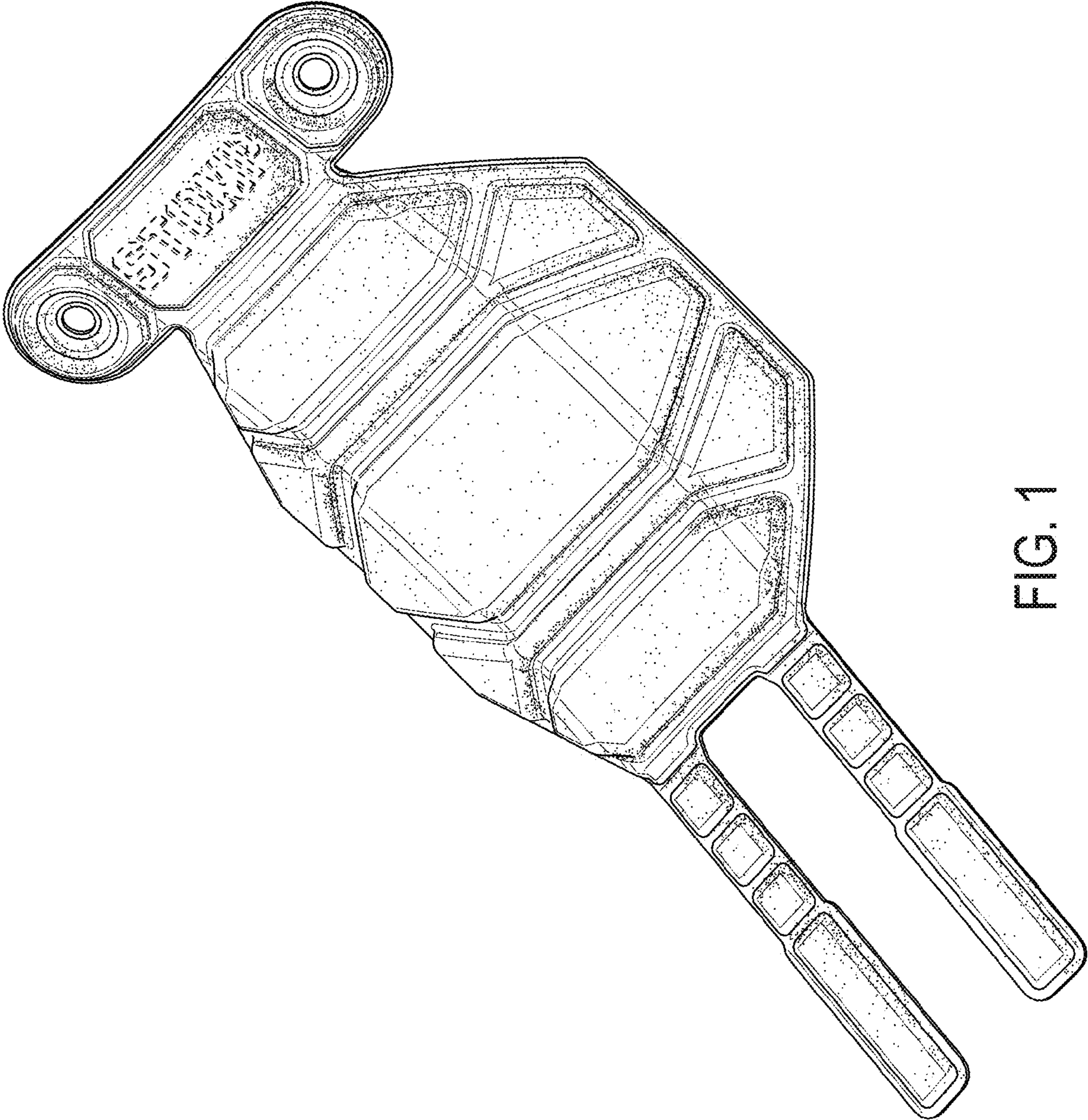


FIG. 1

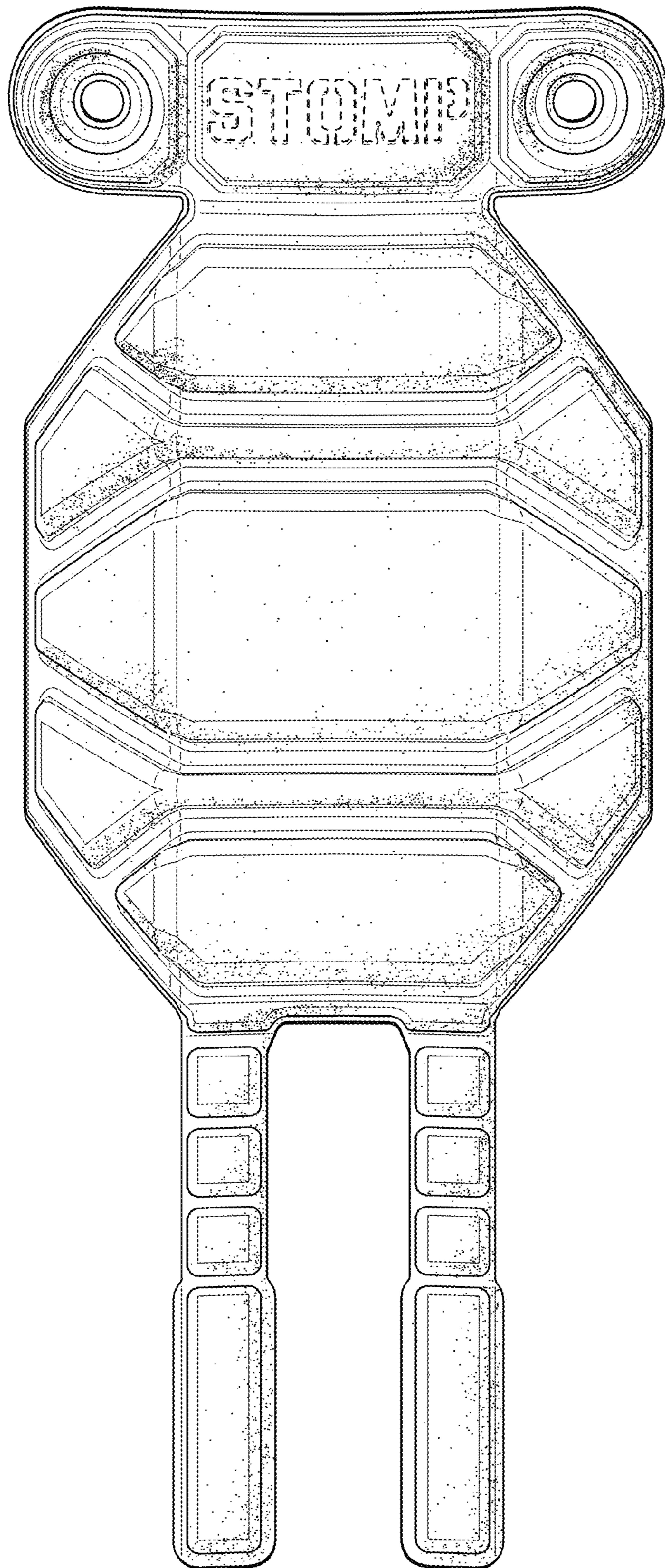


FIG. 2

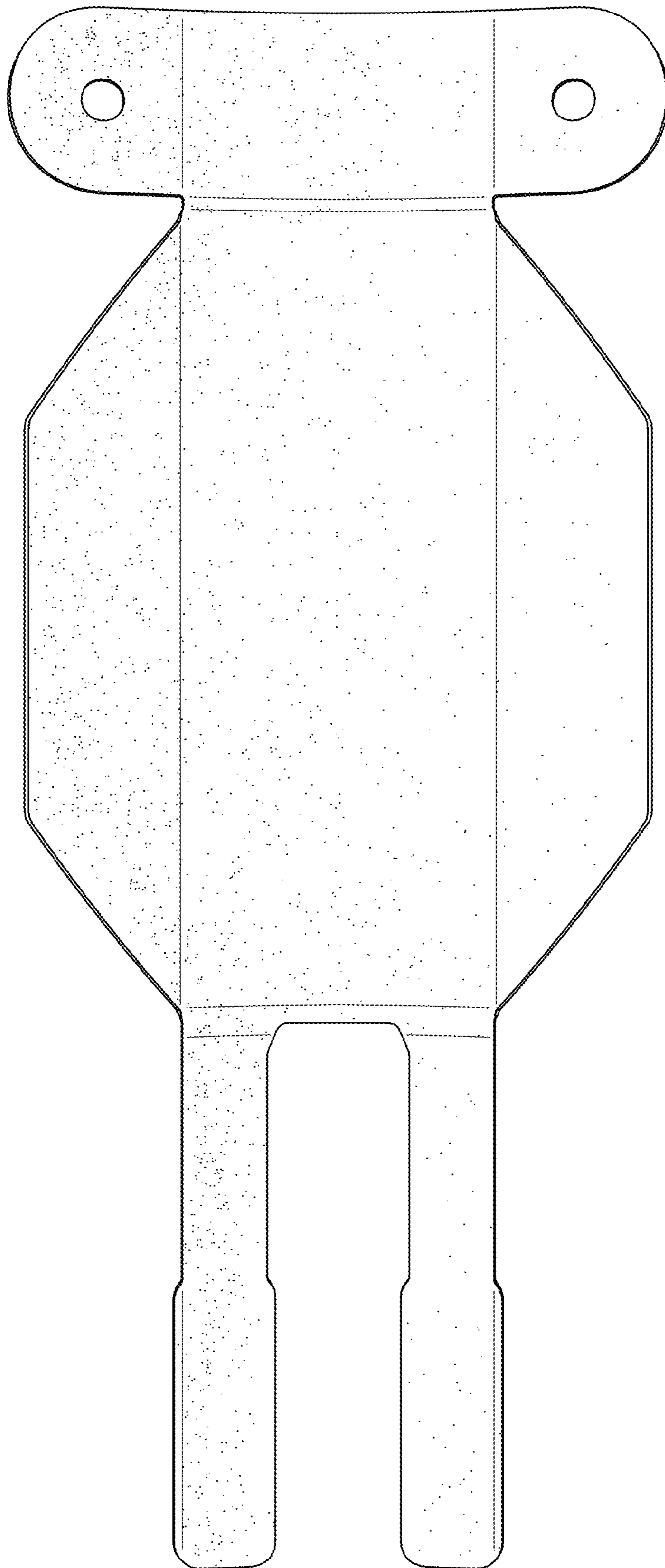


FIG. 3

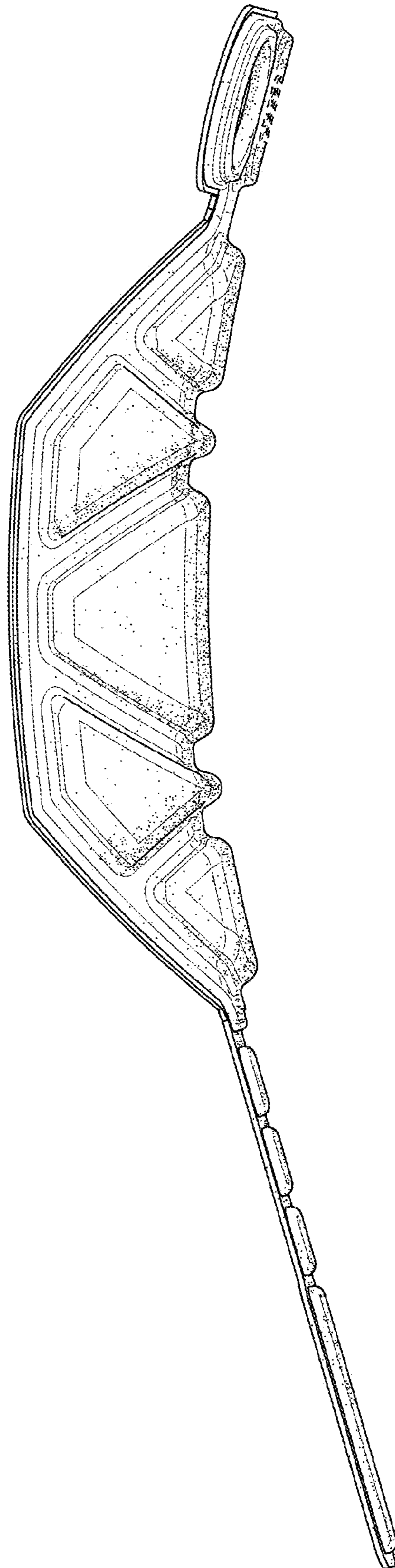


FIG. 4

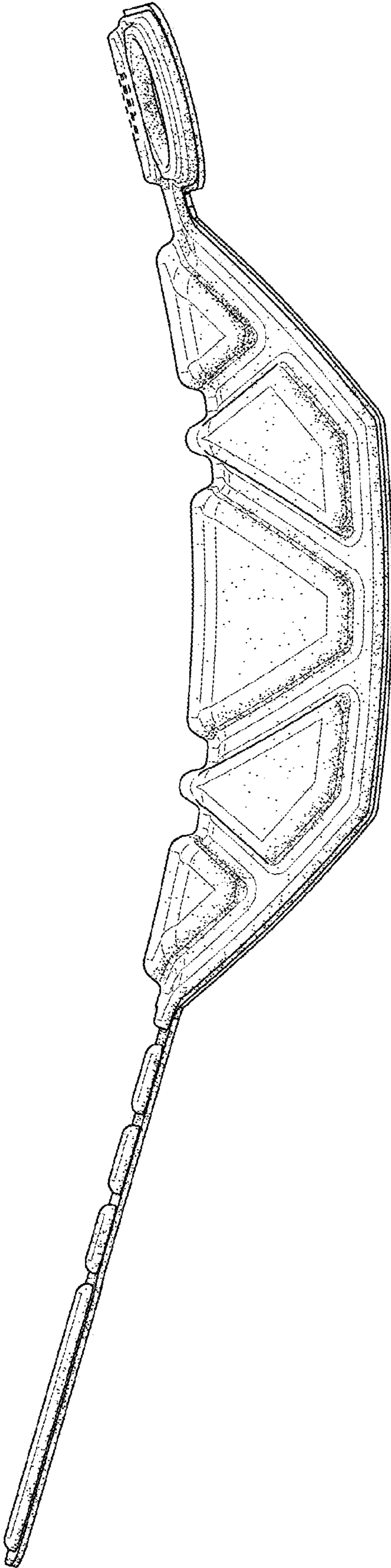


FIG. 5

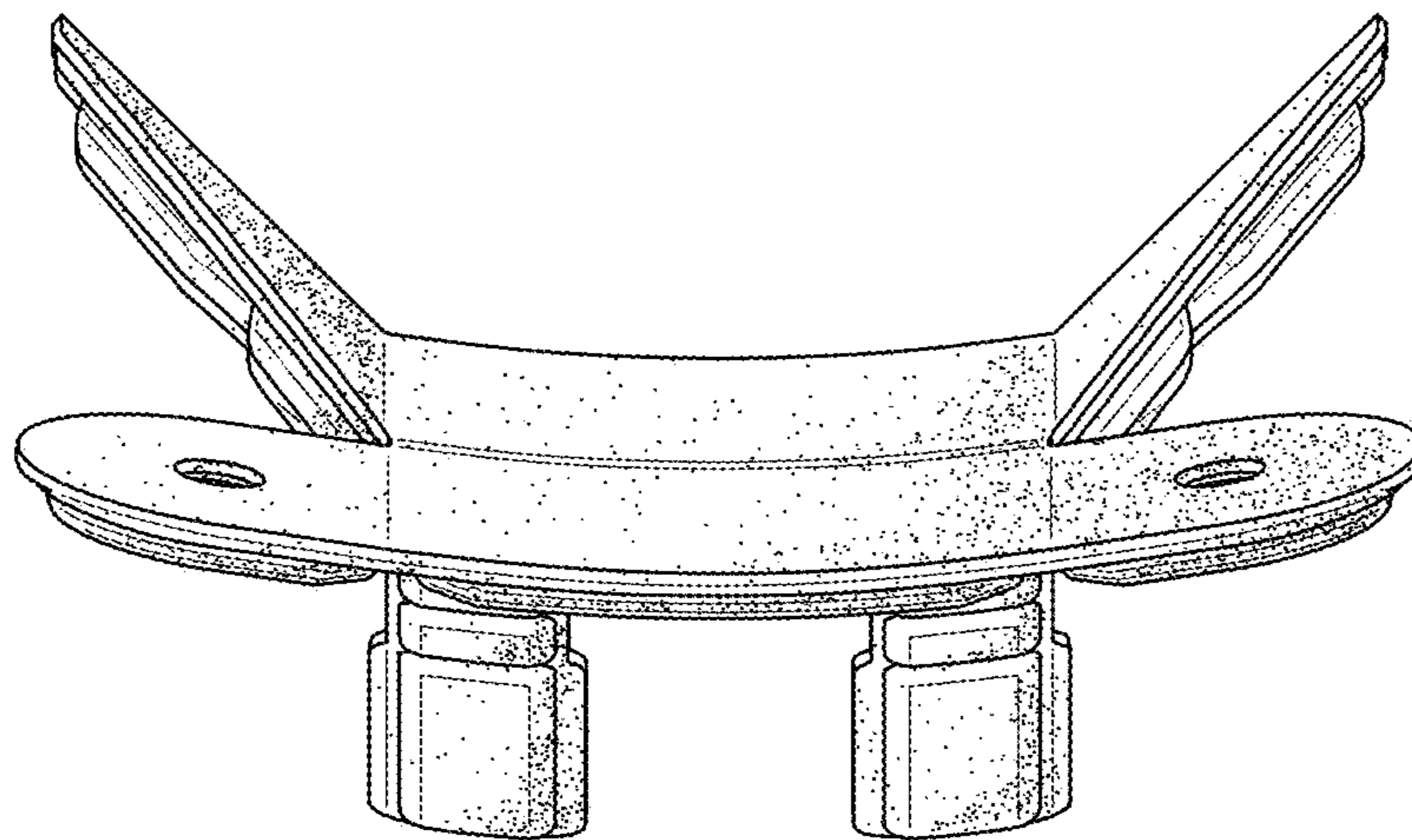


FIG. 6

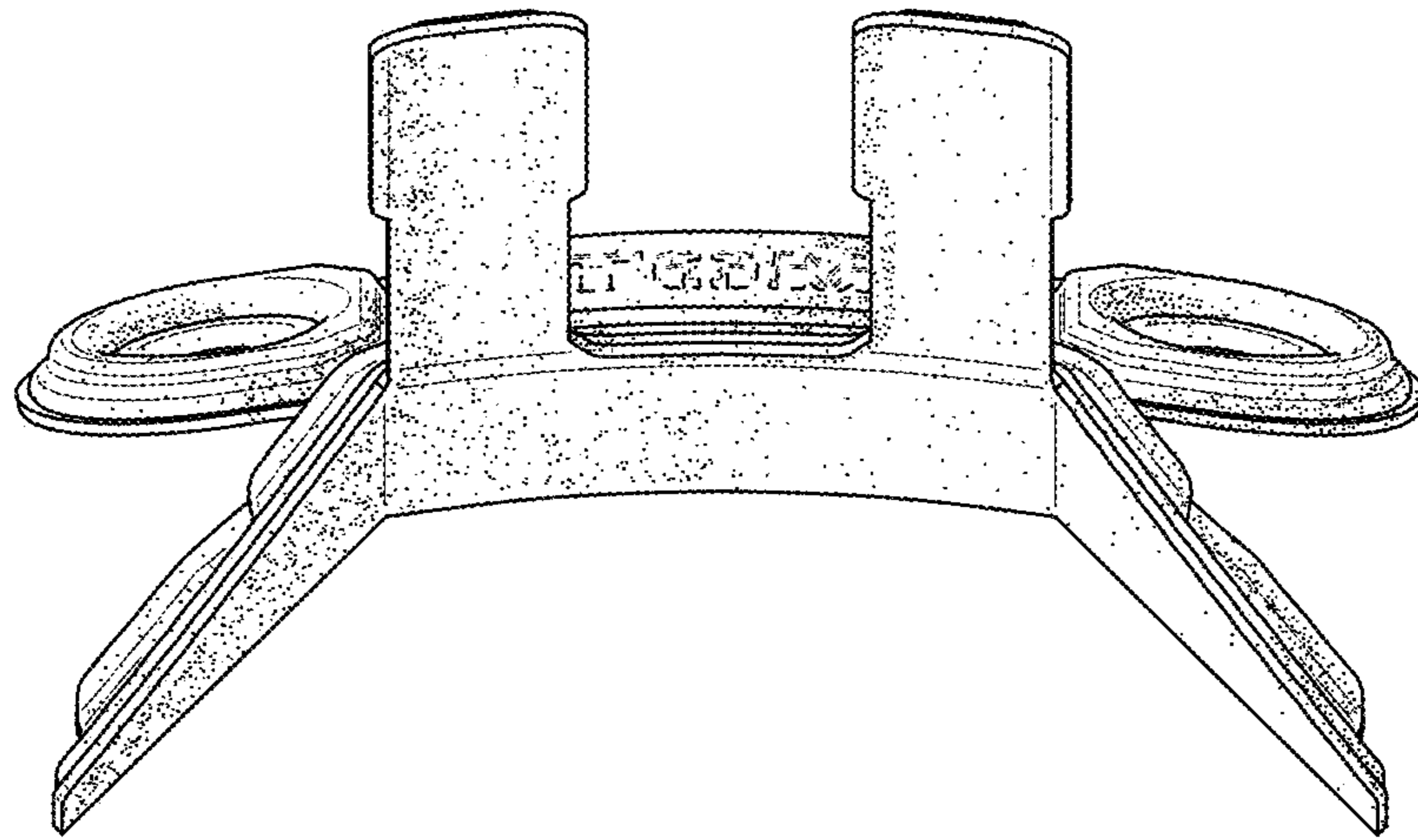


FIG. 7

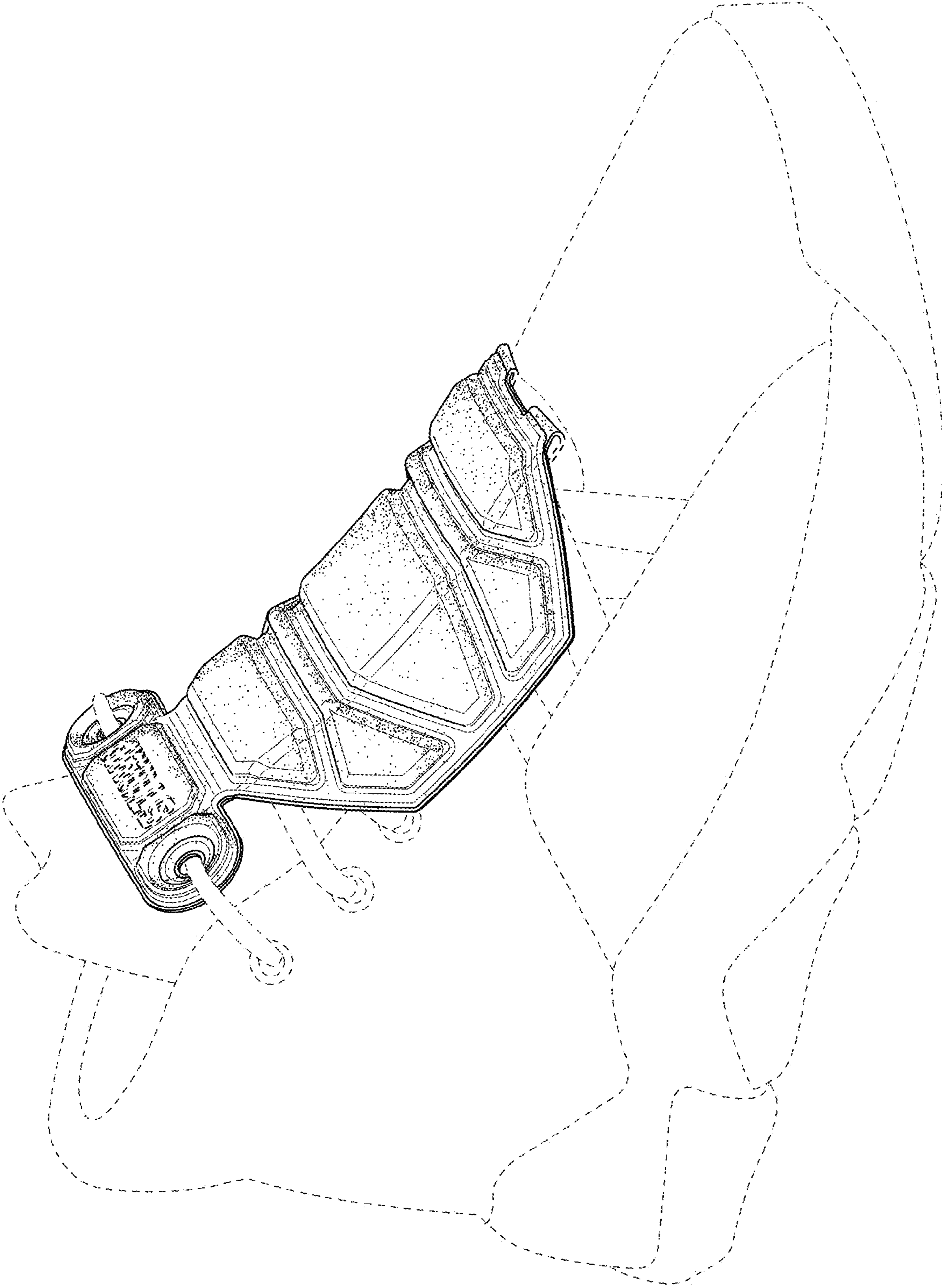


FIG. 8