



US00D979902S

(12) **United States Design Patent**
Chen

(10) **Patent No.:** **US D979,902 S**
(45) **Date of Patent:** **** Mar. 7, 2023**

- (54) **SANDAL**
- (71) Applicant: **Quanzhou Guting Trading Co., Ltd.**,
Quanzhou (CN)
- (72) Inventor: **Mianyong Chen**, Mingguang (CN)
- (**) Term: **15 Years**
- (21) Appl. No.: **29/831,261**
- (22) Filed: **Mar. 18, 2022**
- (51) **LOC (14) Cl.** **02-04**
- (52) **U.S. Cl.**
USPC **D2/923**
- (58) **Field of Classification Search**
USPC D2/896-900, 916-919, 923-926, 946,
D2/969, 972, 976
CPC A43B 1/10; A43B 3/10; A43B 3/12; A43B
17/18; A43B 1/12
See application file for complete search history.

D830,675 S *	10/2018	Del Biondi	D2/896
D857,353 S	8/2019	Granger et al.	
D874,797 S *	2/2020	Fongher	D2/923
D910,288 S *	2/2021	Funck	D2/923
D948,845 S *	4/2022	Fongher	D2/923
D952,993 S *	5/2022	Lv	D2/900
2013/0145651 A1 *	6/2013	Bathum	A43B 3/101 36/43

* cited by examiner

Primary Examiner — Rashida C. Walshon

(57) **CLAIM**

The ornamental design for sandal, substantially as shown and described.

DESCRIPTION

FIG. 1 is a front, top and right side perspective view of sandal, showing my new design;
 FIG. 2 is a perspective view of the sandal with the ankle strap in a down position;
 FIG. 3 is a front view thereof;
 FIG. 4 is a rear view thereof;
 FIG. 5 is a left side view thereof;
 FIG. 6 is a right side view thereof;
 FIG. 7 is a top view thereof; and,
 FIG. 8 is a bottom view thereof.

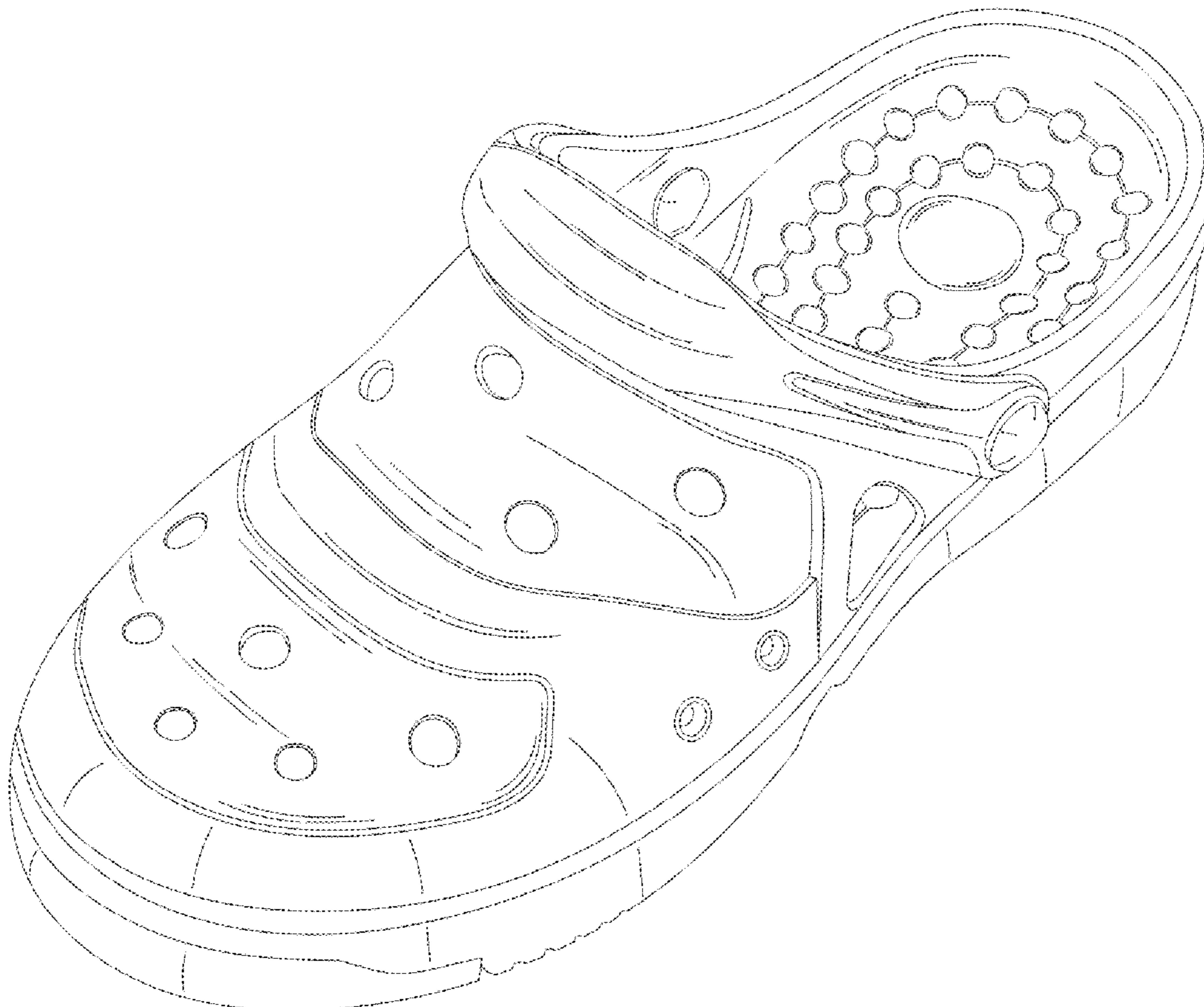
The broken lines in the drawings illustrate the portions of the sandal, which form no part of the claimed design.

1 Claim, 8 Drawing Sheets

(56) **References Cited**

U.S. PATENT DOCUMENTS

D567,481 S *	4/2008	Hoyt	D2/896
D768,364 S *	10/2016	Chanthavong	D2/923
D779,794 S *	2/2017	Engerman	D2/923



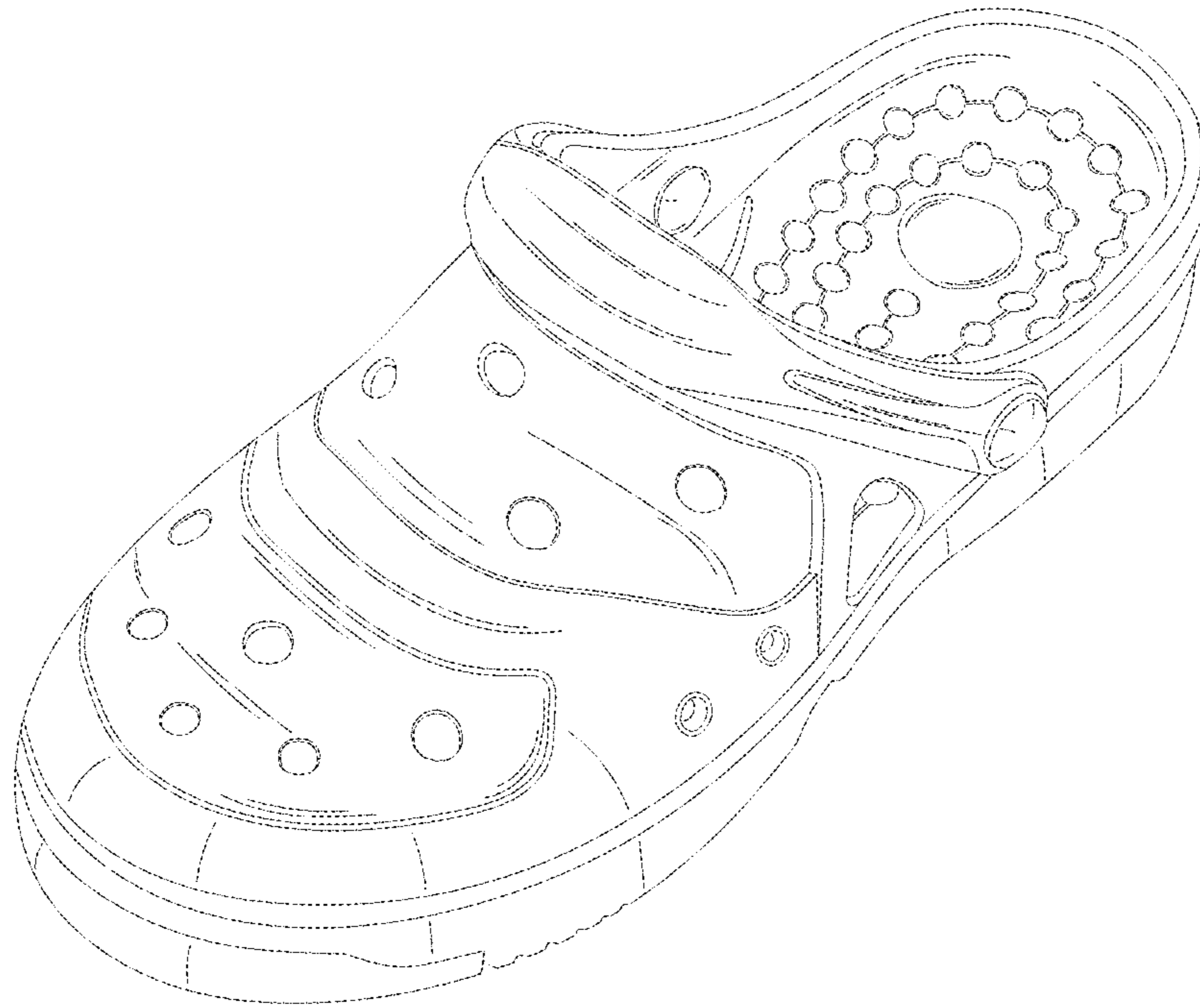


FIG. 1

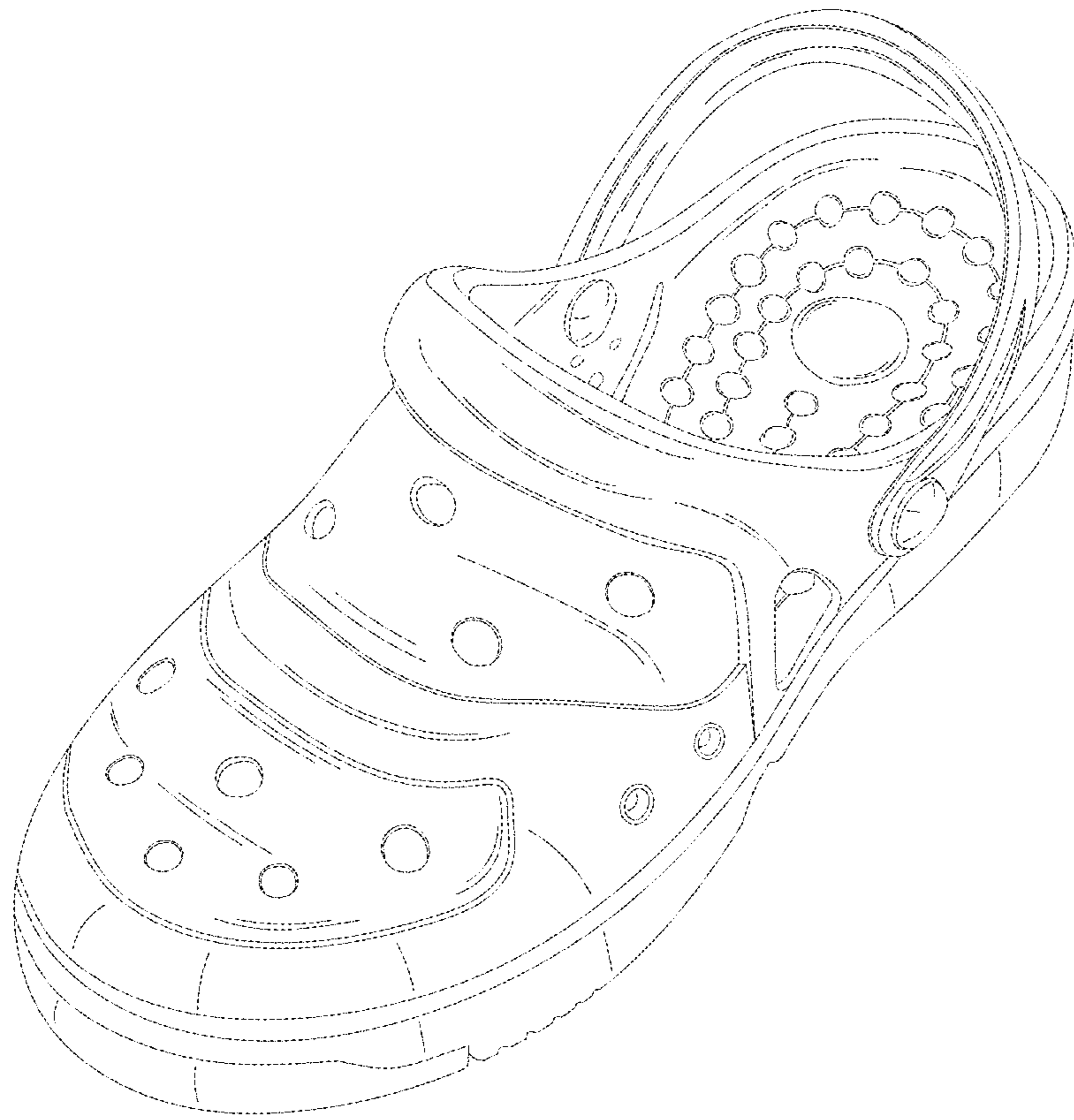


FIG. 2

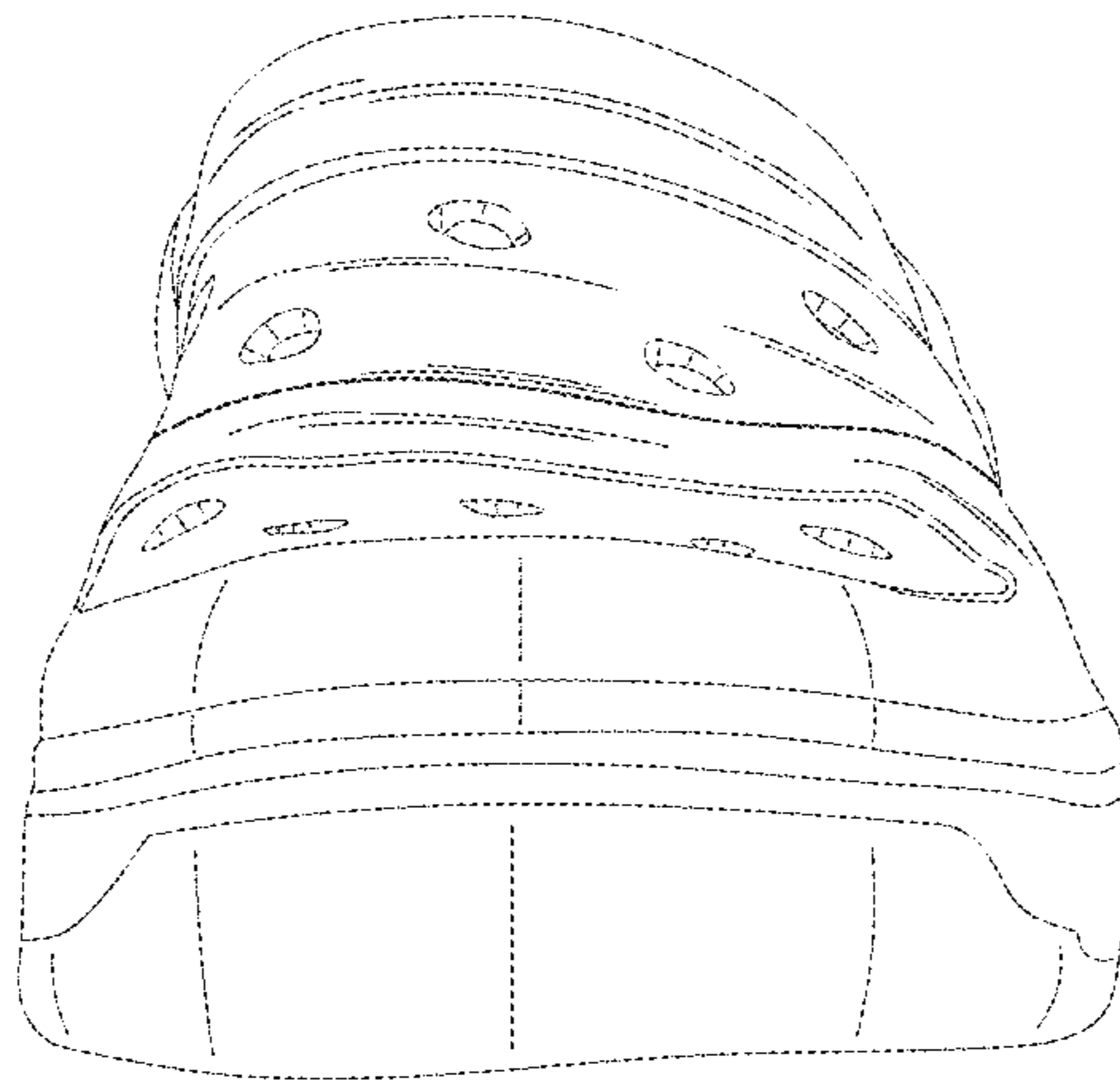


FIG. 3



FIG. 4

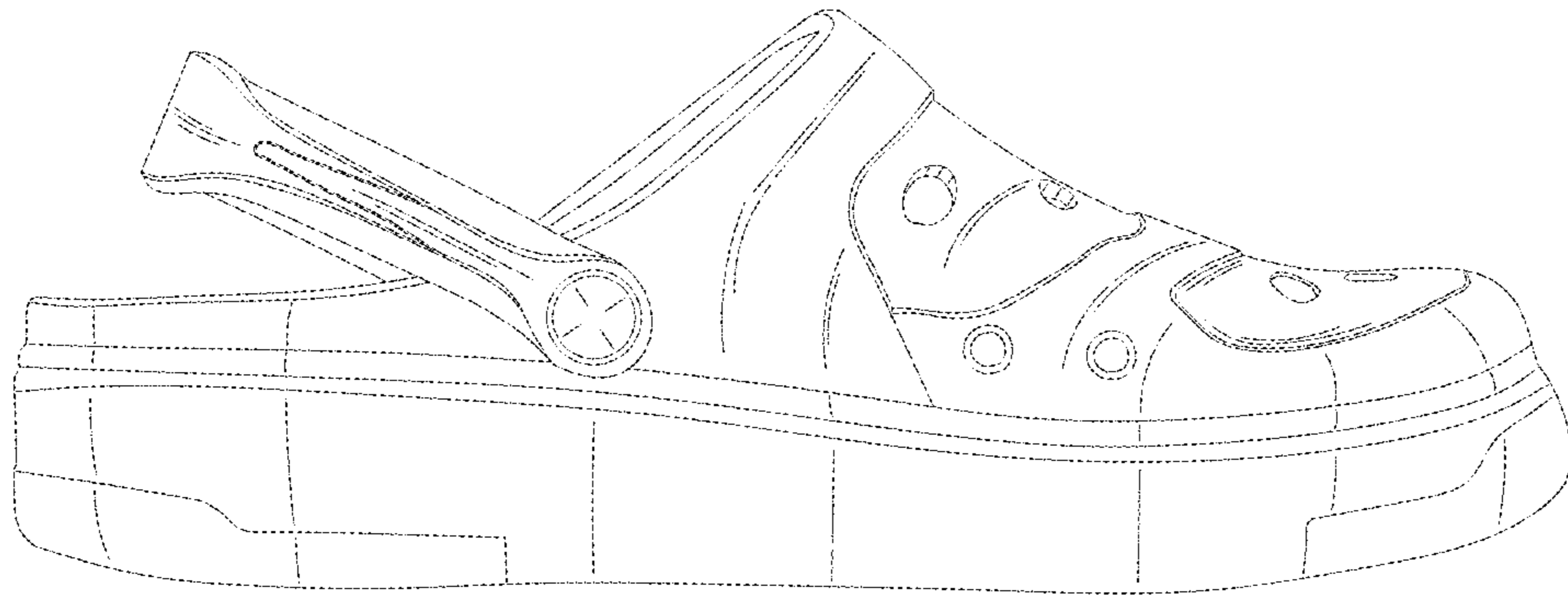


FIG. 5

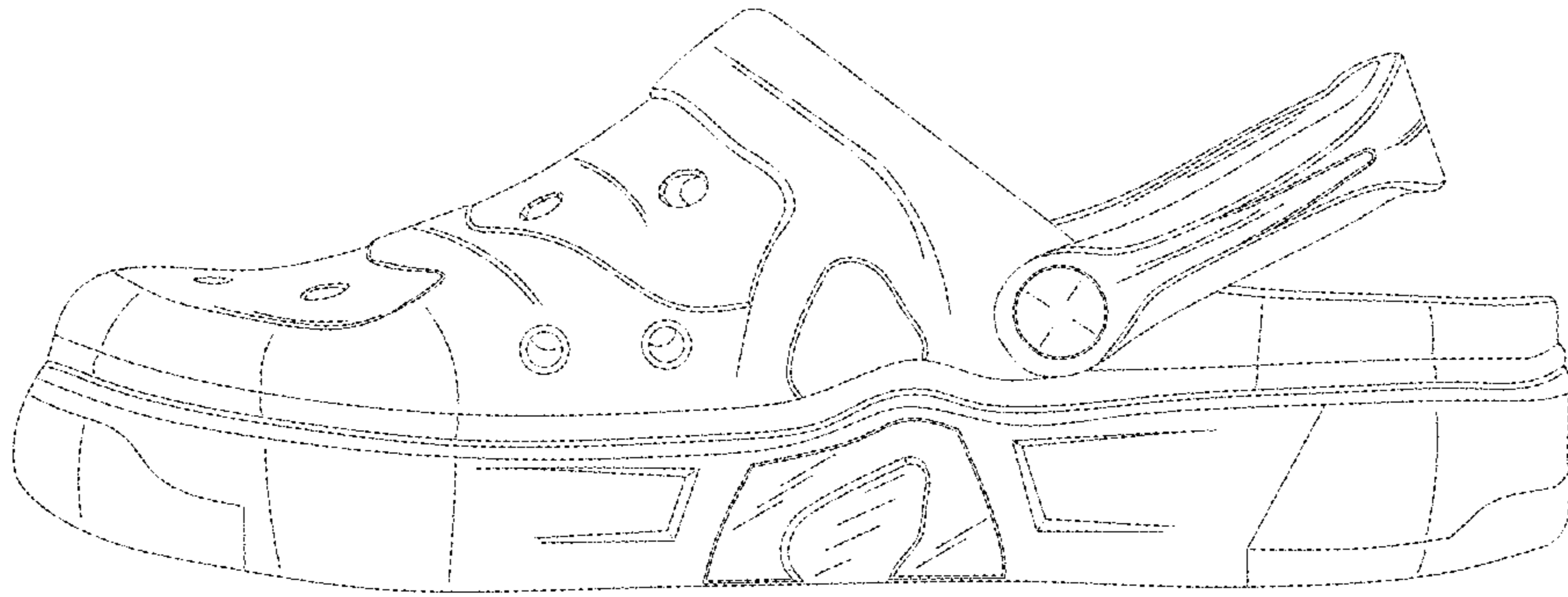


FIG. 6

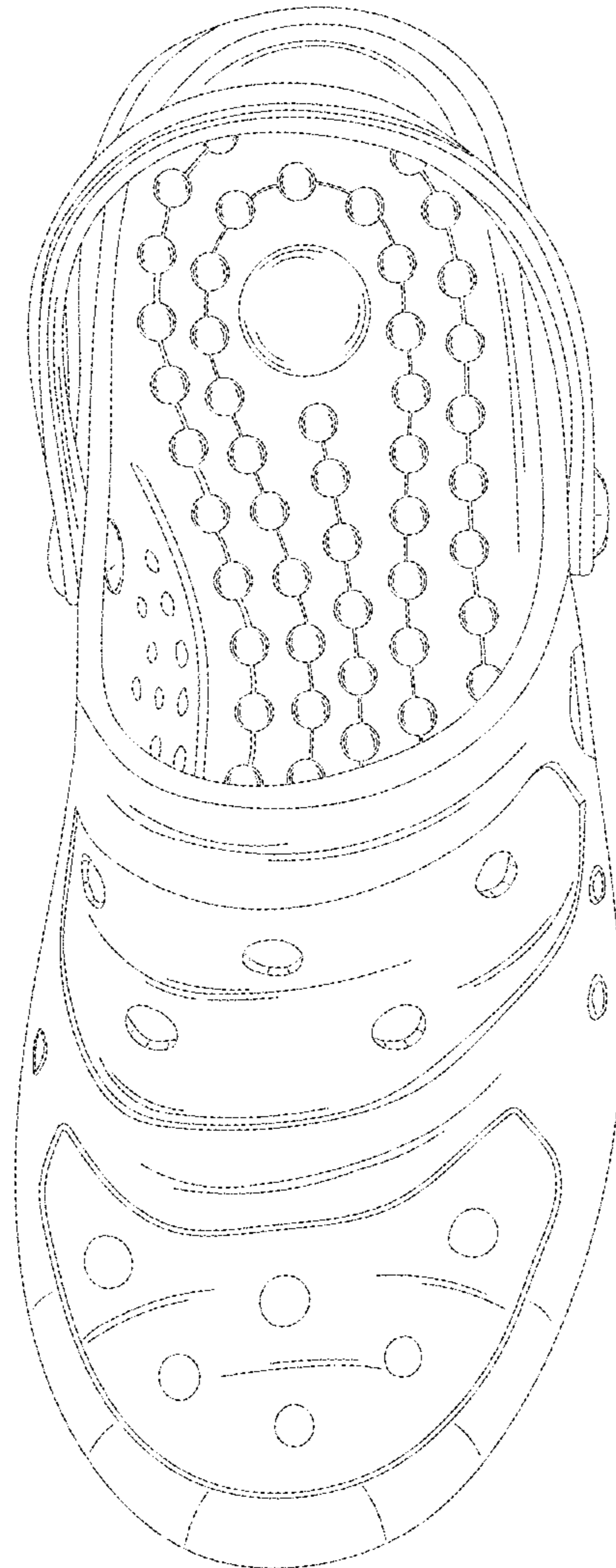


FIG. 7

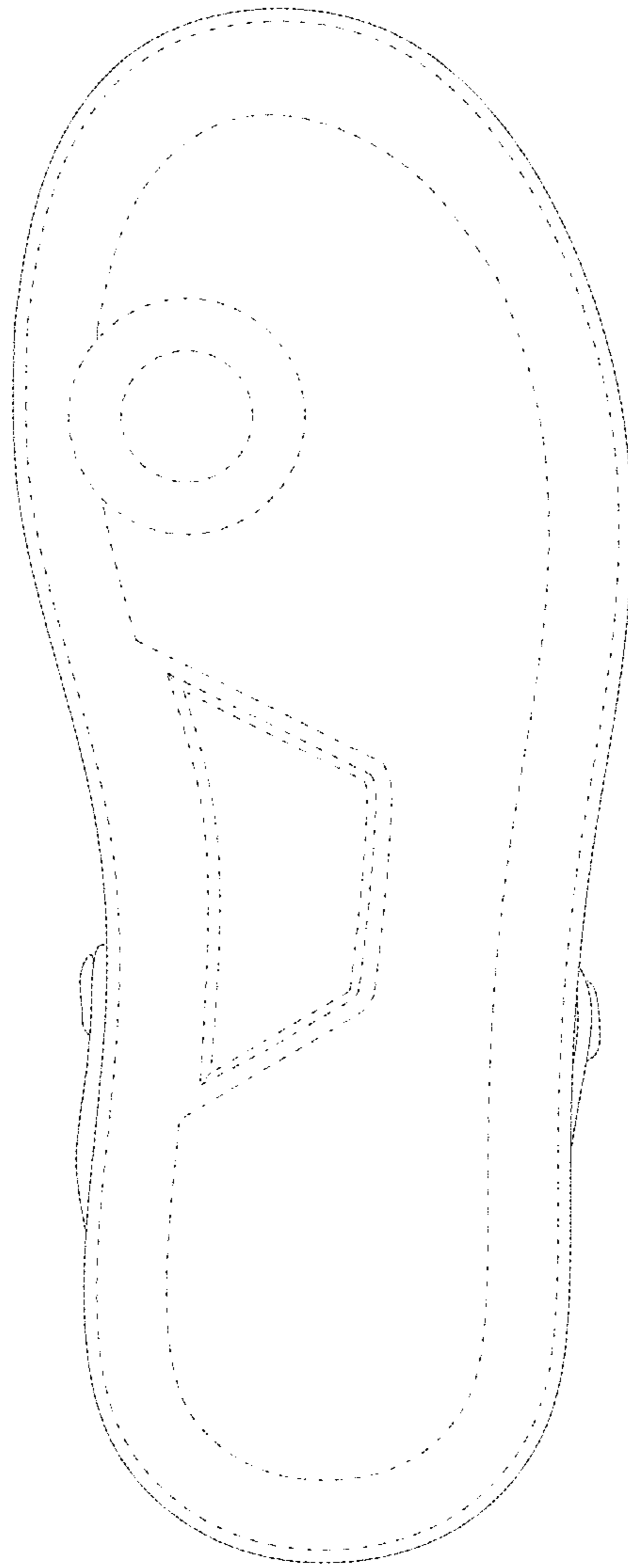


FIG. 8