



US00D979898S

(12) **United States Design Patent**
Piccioli

(10) **Patent No.:** **US D979,898 S**
(45) **Date of Patent:** **** Mar. 7, 2023**

(54) **SHOE**
(71) Applicant: **VALENTINO S.p.A.**, Milan (IT)
(72) Inventor: **Pierpaolo Piccioli**, Milan (IT)
(73) Assignee: **VALENTINO S.P.A.**, Milan (IT)
(**) Term: **15 Years**

D835,895 S * 12/2018 Sassi D2/939
D856,639 S * 8/2019 Sassi D2/916
D885,715 S * 6/2020 Hardy D2/916
D896,497 S * 9/2020 Kenison D2/976
10,897,954 B2 * 1/2021 Knutson A43B 7/34
D927,147 S * 8/2021 Lee D2/919
D928,474 S * 8/2021 Hardy D2/918
D932,749 S * 10/2021 Anderson D2/916
D946,249 S * 3/2022 Lin D2/947

(Continued)

(21) Appl. No.: **29/765,501**
(22) Filed: **Jan. 8, 2021**

FOREIGN PATENT DOCUMENTS

WO D212179-005 * 1/2021

(30) **Foreign Application Priority Data**

OTHER PUBLICATIONS

Jul. 10, 2020 (IT) 402020000002164

Top Valentino Roman Stud Sandals Collection Review, First available: Aug. 3, 2021 [online], [visited: Jul. 19, 2022] Available from the internet URL: <https://www.youtube.com/watch?v=3S-YliYj2b0> (Year: 2021).*

(51) **LOC (14) Cl.** **02-04**

(52) **U.S. Cl.**
USPC **D2/916; D2/896**

(Continued)

(58) **Field of Classification Search**
USPC D2/896, 909, 913, 914, 916, 917, 919, D2/925, 926, 927, 928, 929, 930, 931, D2/932, 939, 940, 941, 942, 943, 946, D2/965, 969, 971, 974
CPC A43B 1/00; A43B 1/06; A43B 1/0045; A43B 3/00; A43B 3/10; A43B 3/101; A43B 3/103; A43B 3/105; A43B 3/12; A43B 3/122; A43B 3/124; A43B 3/126; A43B 3/128; A43B 3/24; A43B 3/242; A43B 23/00; A43B 23/021; A43B 23/0215; A43C 11/1493

See application file for complete search history.

Primary Examiner — Jonathan J Han
Assistant Examiner — Jeff Lenard D Torres
(74) *Attorney, Agent, or Firm* — Rothwell, Figg, Ernst & Manbeck, P.C.

(56) **References Cited**

CLAIM

(57) The ornamental design for a shoe, as shown and described.

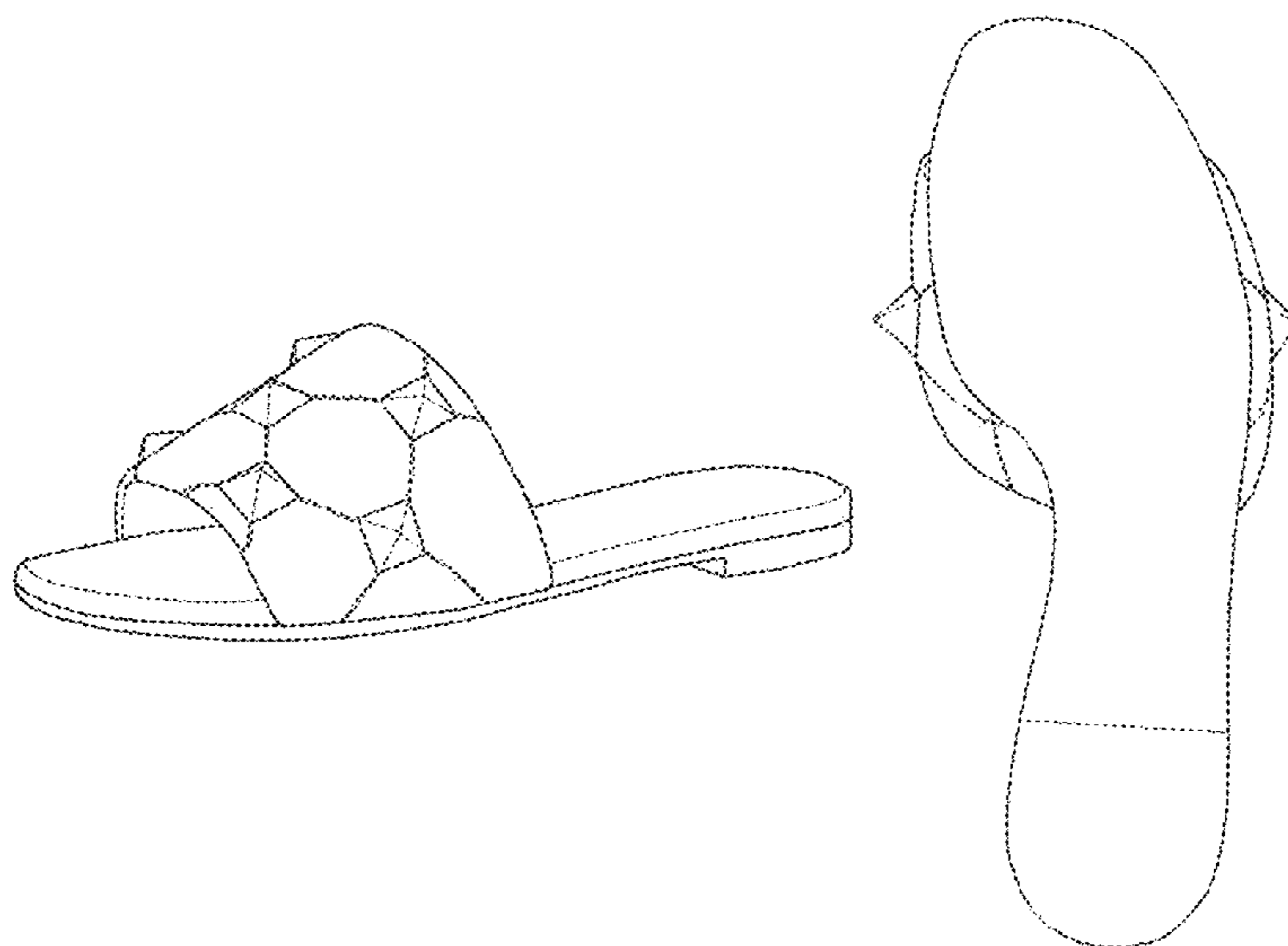
U.S. PATENT DOCUMENTS

DESCRIPTION

D495,124 S * 8/2004 Wakatake D2/918
D814,163 S * 4/2018 Issler D2/971
D818,249 S * 5/2018 Sassi D2/916
D818,250 S * 5/2018 Sassi D2/916
D825,154 S * 8/2018 Sassi D2/923
D835,892 S * 12/2018 Sassi D2/916

FIG. 1 is a perspective view of a shoe, showing my new design;
FIG. 2 is a front view thereof;
FIG. 3 is a rear view thereof;
FIG. 4 is a side view thereof;
FIG. 5 is a side view thereof, opposite that of FIG. 4;
FIG. 6 is a top view thereof; and,
FIG. 7 is a bottom view thereof.

1 Claim, 7 Drawing Sheets



(56)

References Cited

U.S. PATENT DOCUMENTS

D951,604 S *	5/2022	Martin	D2/916
2002/0023372 A1 *	2/2002	Noda	A43B 3/102 36/55
2005/0066550 A1 *	3/2005	Liu	A43B 1/0081 36/11.5
2015/0027003 A1 *	1/2015	Hartmann	A43B 13/24 36/101
2015/0121723 A1 *	5/2015	Duran	A43B 3/0078 36/83
2018/0184753 A1 *	7/2018	Stillwagon	A43B 3/242

OTHER PUBLICATIONS

Cape Robbin Tonie Sandals Slides for Women, First available: Jun. 4, 2019 [online], [visited: Jul. 20, 2022] Available from the internet URL: <https://www.amazon.com/CAPE-ROBBIN-Tonie-Womens-Sandals/dp/B07SNSCYRW/ref> (Year: 2019).*

Flat Slides For Women Studs Sandals, First available: Apr. 22, 2021 [online], [visited: Jul. 20, 2022] Available from the internet URL: <https://www.amazon.com/Slides-Sandals-Square-Casual-Summer/dp/B0936HPWQJ/ref> (Year: 2021).*

Women Open Toe Flat Fashion Sandals, First available: Apr. 8, 2022 [online], [visited: Jul. 20, 2022] Available from the internet URL: <https://www.amazon.com/Women-Open-Fashion-Sandals-Black/dp/B08RWTG96V/ref> (Year: 2022).*

* cited by examiner

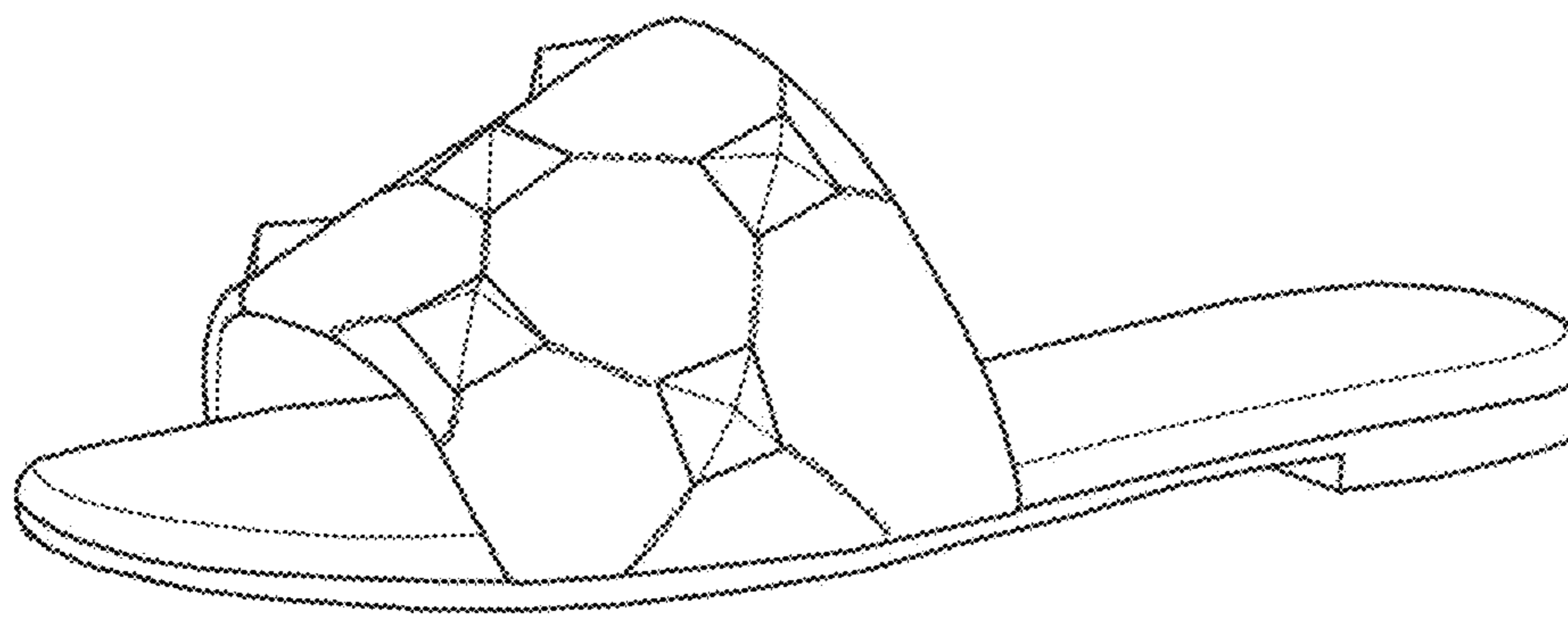


FIG. 1

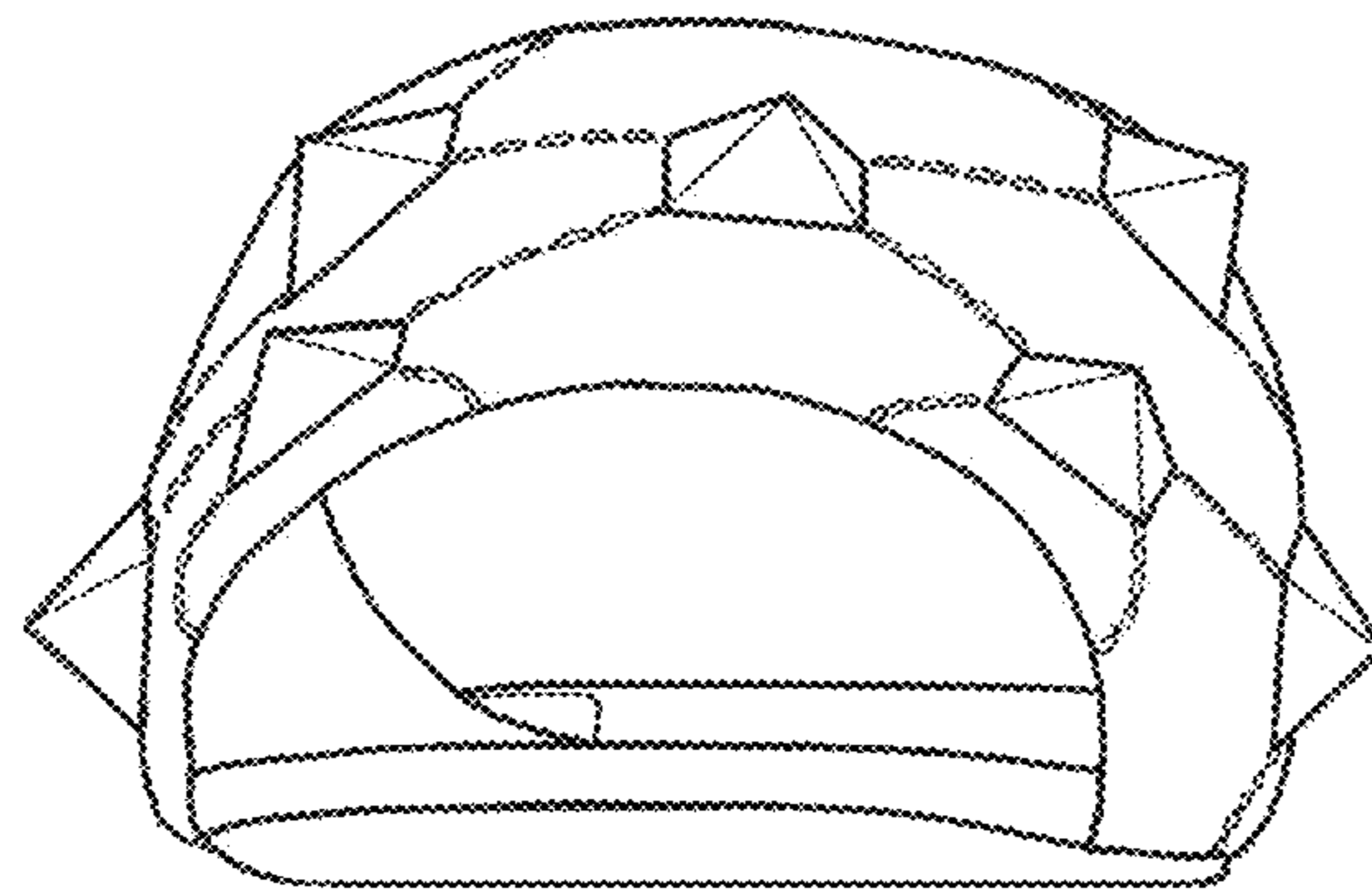


FIG. 2

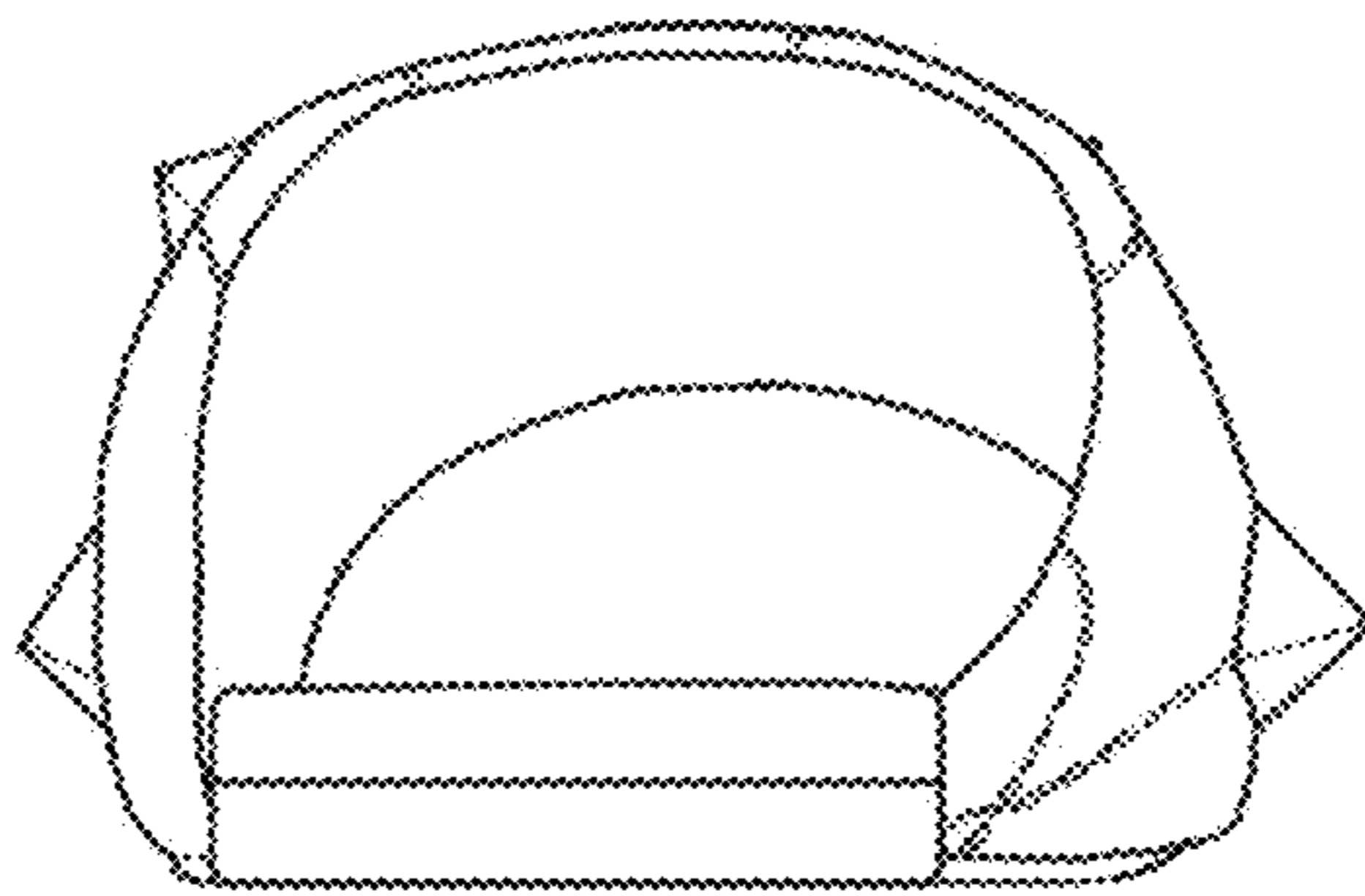


FIG. 3

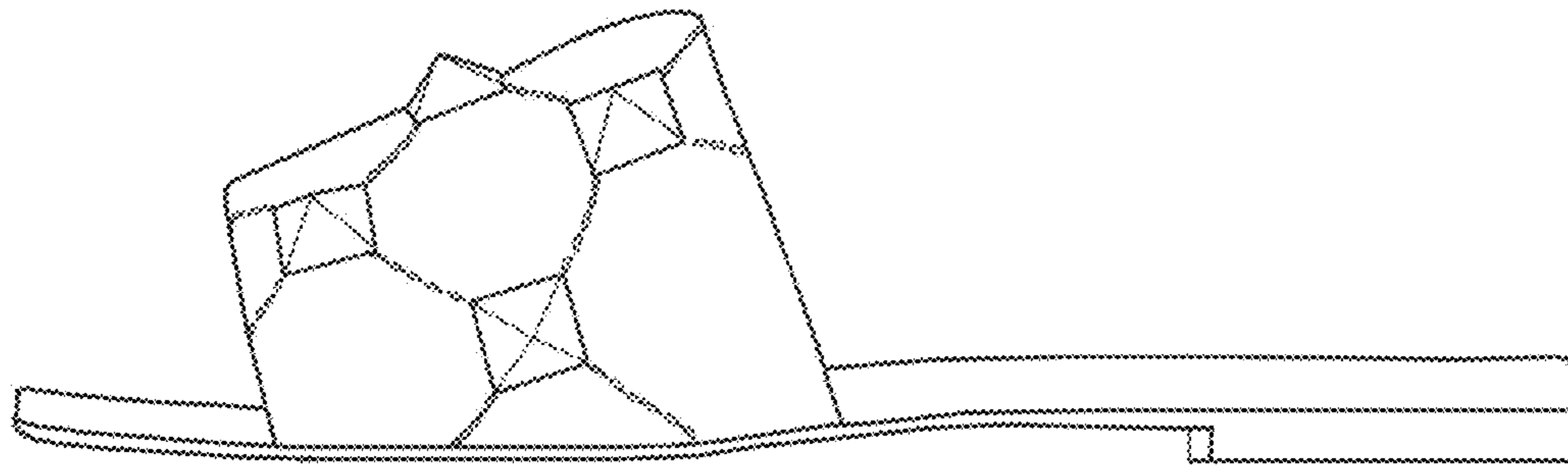


FIG. 4

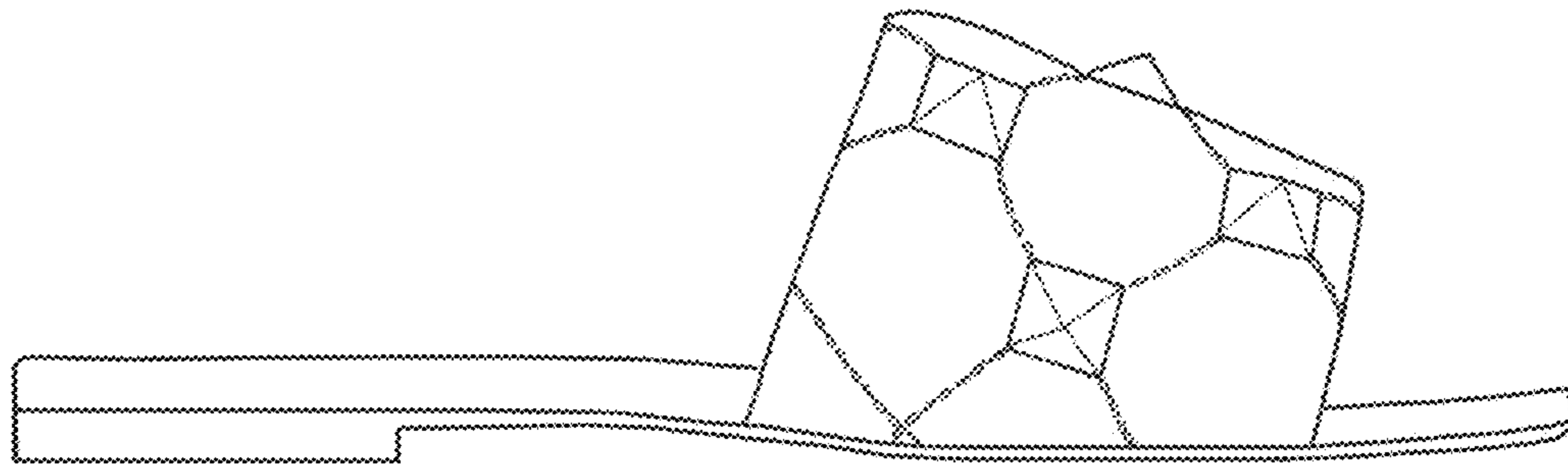


FIG. 5

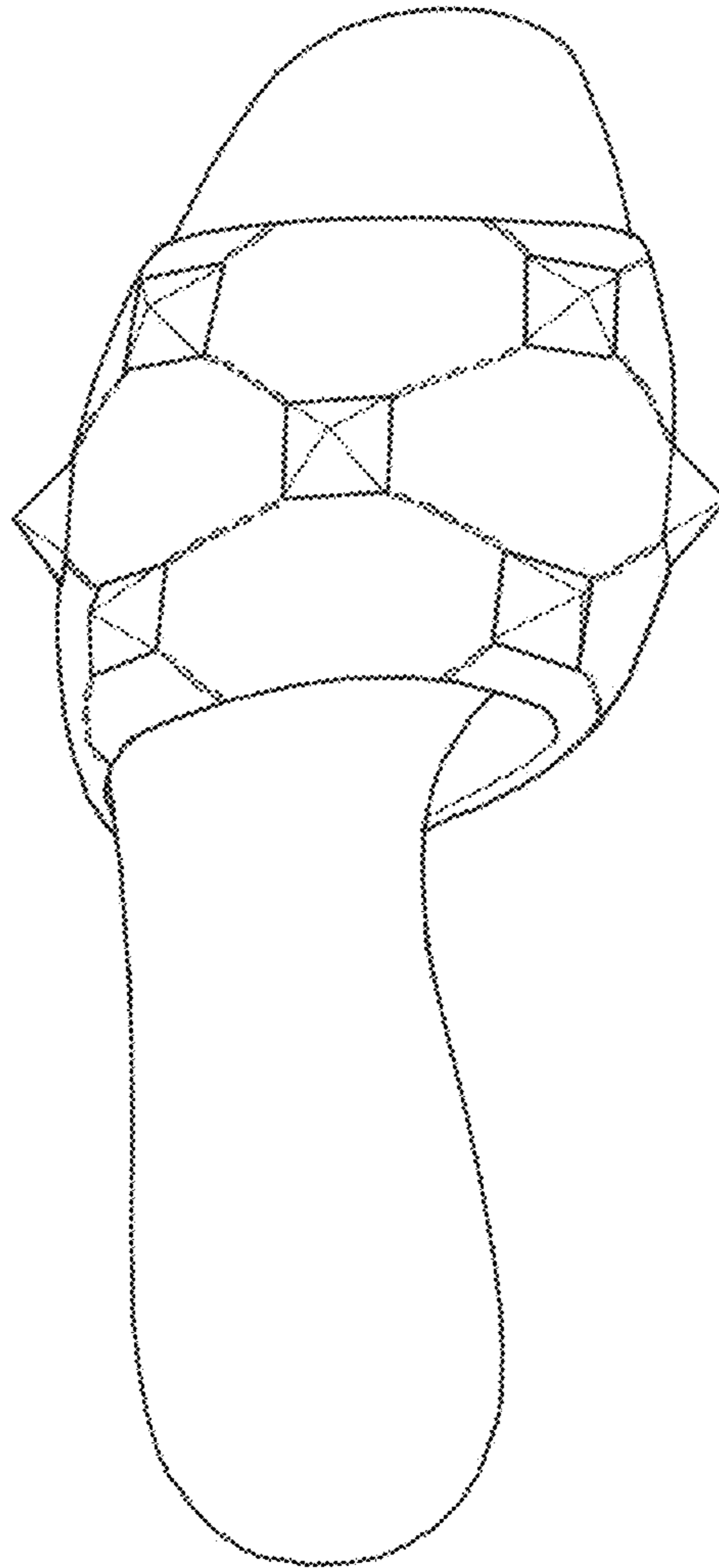


FIG. 6

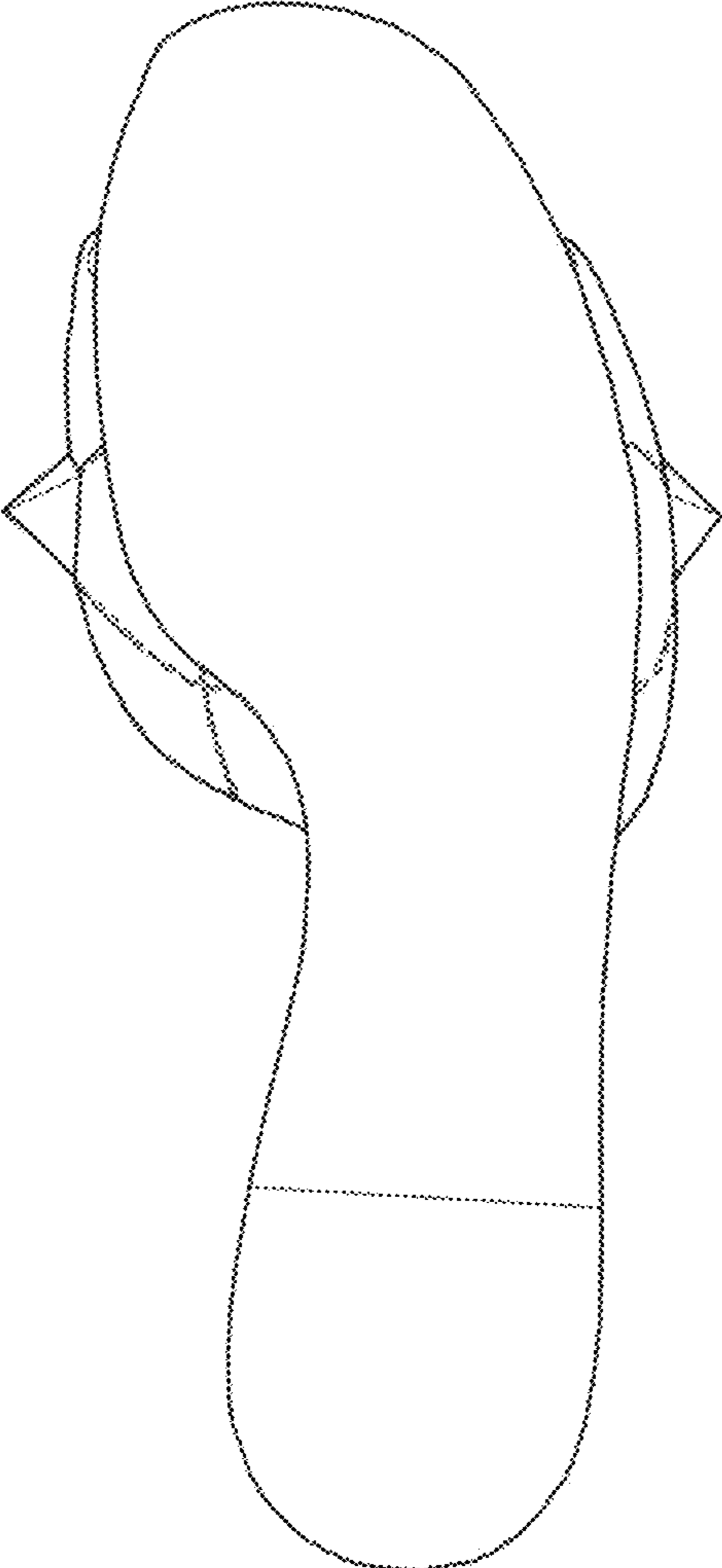


FIG. 7