



US00D979886S

(12) **United States Design Patent**
Lyu et al.

(10) **Patent No.:** **US D979,886 S**
(45) **Date of Patent:** **** Mar. 7, 2023**

(54) **ZIPPER TOOTH**

(71) Applicant: **IDEAL FASTENER (GUANGDONG) INDUSTRIES LTD.**, Guangdong (CN)

(72) Inventors: **Zongjian Lyu**, Guangdong (CN);
Licheng Liu, Guangdong (CN);
Yunning Lu, Guangdong (CN); **Qijun Luo**, Guangdong (CN)

(73) Assignee: **IDEAL FASTENER (GUANGDONG) INDUSTRIES LTD.**, Zhaoqing (CN)

(**) Term: **15 Years**

(21) Appl. No.: **29/757,796**

(22) Filed: **Nov. 10, 2020**

(30) **Foreign Application Priority Data**

Sep. 10, 2020 (CN) 202030535548.2

(51) **LOC (14) Cl.** **02-02**

(52) **U.S. Cl.**
USPC **D2/853**

(58) **Field of Classification Search**
USPC D2/853; D11/221

(Continued)

(56) **References Cited**

U.S. PATENT DOCUMENTS

2,660,774 A * 12/1953 Heimann A44B 19/04
D11/221
2,798,275 A * 7/1957 Morin A44B 19/04
24/410

(Continued)

FOREIGN PATENT DOCUMENTS

CN 102948974 * 3/2013
CN 203897475 * 10/2014

(Continued)

OTHER PUBLICATIONS

The Different Zipper Types: Metal, Coil, Plastic Molded, Invisible, and How to DIY Shorten posted to zipupzipper.net. Available date: Feb. 11, 2020 [site visited Jun. 28, 2022] Available: <https://zipupzipper.net/blogs/news/the-different-zipper-types-metal-coil-plastic-molded-invisible-and-how-to-diy-shorten> (Year: 2020).*

(Continued)

Primary Examiner — Kevin K Rudzinski

(57) **CLAIM**

The ornamental design for a zipper tooth, as shown and described.

DESCRIPTION

FIG. 1 is a top, front and right side perspective view of a first embodiment of a zipper tooth showing our new design;

FIG. 2 is a bottom, rear and left side perspective view of FIG. 1;

FIG. 3 is a front elevational view of FIG. 1;

FIG. 4 is a rear elevational view of FIG. 1;

FIG. 5 is a left side view of FIG. 1;

FIG. 6 is a right side view of FIG. 1;

FIG. 7 is a top plan view of FIG. 1;

FIG. 8 is a bottom plan view of FIG. 1;

FIG. 9 is a top, front and right side perspective view of a second embodiment of the zipper tooth;

FIG. 10 is a bottom, rear and left side perspective view of FIG. 9;

FIG. 11 is a front elevational view of FIG. 9;

FIG. 12 is a rear elevational view of FIG. 9;

FIG. 13 is a left side view of FIG. 9;

FIG. 14 is a right side view of FIG. 9;

FIG. 15 is a top plan view of FIG. 9;

FIG. 16 is a bottom plan view of FIG. 9;

FIG. 17 is a top, front and right side perspective view of a third embodiment of the zipper tooth;

FIG. 18 is a bottom, rear and left side perspective view of FIG. 17;

FIG. 19 is a front elevational view of FIG. 17;

FIG. 20 is a rear elevational view of FIG. 17;

(Continued)

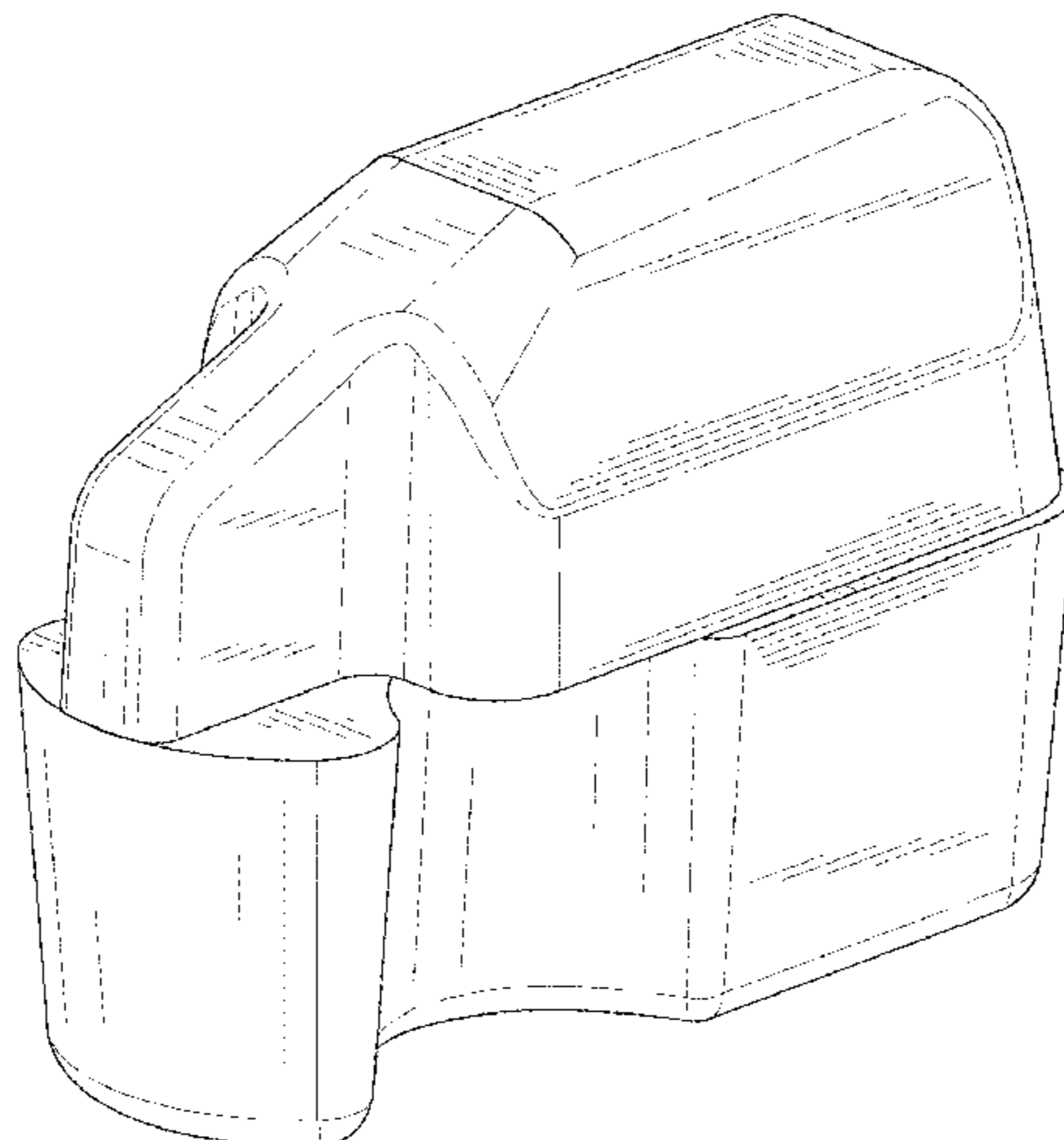


FIG. 21 is a left side view of FIG. 17;
 FIG. 22 is a right side view of FIG. 17;
 FIG. 23 is a top plan view of FIG. 17;
 FIG. 24 is a bottom plan view of FIG. 17;
 FIG. 25 is a top perspective view showing the zipper tooth of FIG. 17 in a use state;
 FIG. 26 is a bottom perspective view showing the zipper tooth of FIG. 17 in a use state;
 FIG. 27 is a top, front and right side perspective view of a fourth embodiment of the zipper tooth;
 FIG. 28 is a bottom, rear and left side perspective view of FIG. 27;
 FIG. 29 is a front elevational view of FIG. 27;
 FIG. 30 is a rear elevational view of FIG. 27;
 FIG. 31 is a left side view of FIG. 27;
 FIG. 32 is a right side view of FIG. 27;
 FIG. 33 is a top plan view of FIG. 27;
 FIG. 34 is a bottom plan view of FIG. 27;
 FIG. 35 is a top perspective view showing the zipper tooth of FIG. 27 in a use state; and,
 FIG. 36 is a bottom perspective view showing the zipper tooth of FIG. 27 in a use state.
 The broken lines in FIGS. 25-26 and 35-36 depict environment and are for illustrative purposes only and form no part of the claimed design.

1 Claim, 36 Drawing Sheets

(58) **Field of Classification Search**

CPC A44B 19/04; A44B 19/06; A44B 19/08;
 A44B 19/26

See application file for complete search history.

(56) **References Cited**

U.S. PATENT DOCUMENTS

4,520,535 A * 6/1985 Kasai A44B 19/06
 24/410
 7,353,570 B2 * 4/2008 Himi A44B 19/06
 24/413

D628,123 S * 11/2010 Kojima D11/221
 D632,218 S * 2/2011 Yamamoto D11/221
 D644,564 S * 9/2011 Kojima D11/221
 D657,287 S * 4/2012 Cheng D11/221
 D672,687 S * 12/2012 Himi D11/221
 D673,077 S * 12/2012 Fujita D11/221
 8,539,650 B2 * 9/2013 Kojima A44B 19/26
 24/410
 8,695,178 B2 * 4/2014 Yoneshima A44B 19/32
 24/409
 D724,996 S * 3/2015 Hung D11/221
 D740,169 S * 10/2015 Ogura D11/221
 9,259,061 B2 * 2/2016 Kojima A44B 19/06
 9,301,579 B2 * 4/2016 Fujii A44B 19/32
 9,591,897 B2 * 3/2017 Ogura A44B 19/26
 D820,728 S * 6/2018 Hung D11/221
 D823,160 S * 7/2018 Zhang D11/221
 D828,783 S * 9/2018 Hung D11/221
 D845,831 S * 4/2019 Hung D11/221
 11,083,253 B2 * 8/2021 Xu A44B 19/06
 D931,366 S * 9/2021 Chechik D18/99
 2006/0260104 A1 * 11/2006 Himi A44B 19/06
 24/403
 2010/0306970 A1 * 12/2010 Tsao A44B 19/06
 24/406
 2015/0313322 A1 * 11/2015 Lu A44B 19/08
 24/414
 2017/0027288 A1 * 2/2017 Xu A44B 19/06

FOREIGN PATENT DOCUMENTS

CN 110279198 * 9/2019
 CN 211379872 * 9/2020

OTHER PUBLICATIONS

Understanding Zipper Types, Weight, Sizes and Parts posted to doitbetteryourself.club. Available date: Dec. 5, 2018 [site visited Jun. 28, 2022] Available: <<https://doitbetteryourself.club/blog/understanding-zipper-types-weights-sizes-and-parts/>> (Year: 2018).*

* cited by examiner

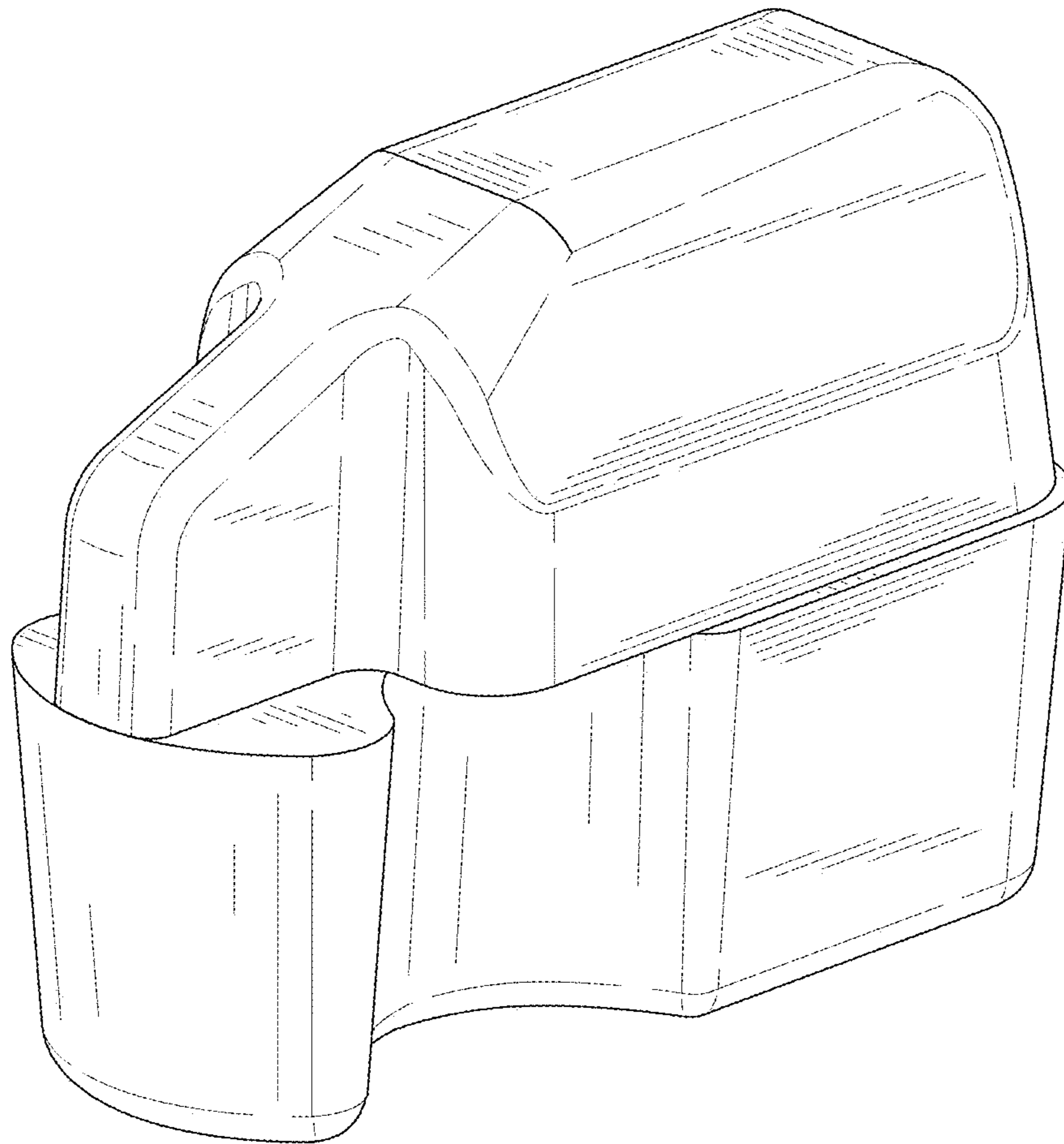


FIG. 1

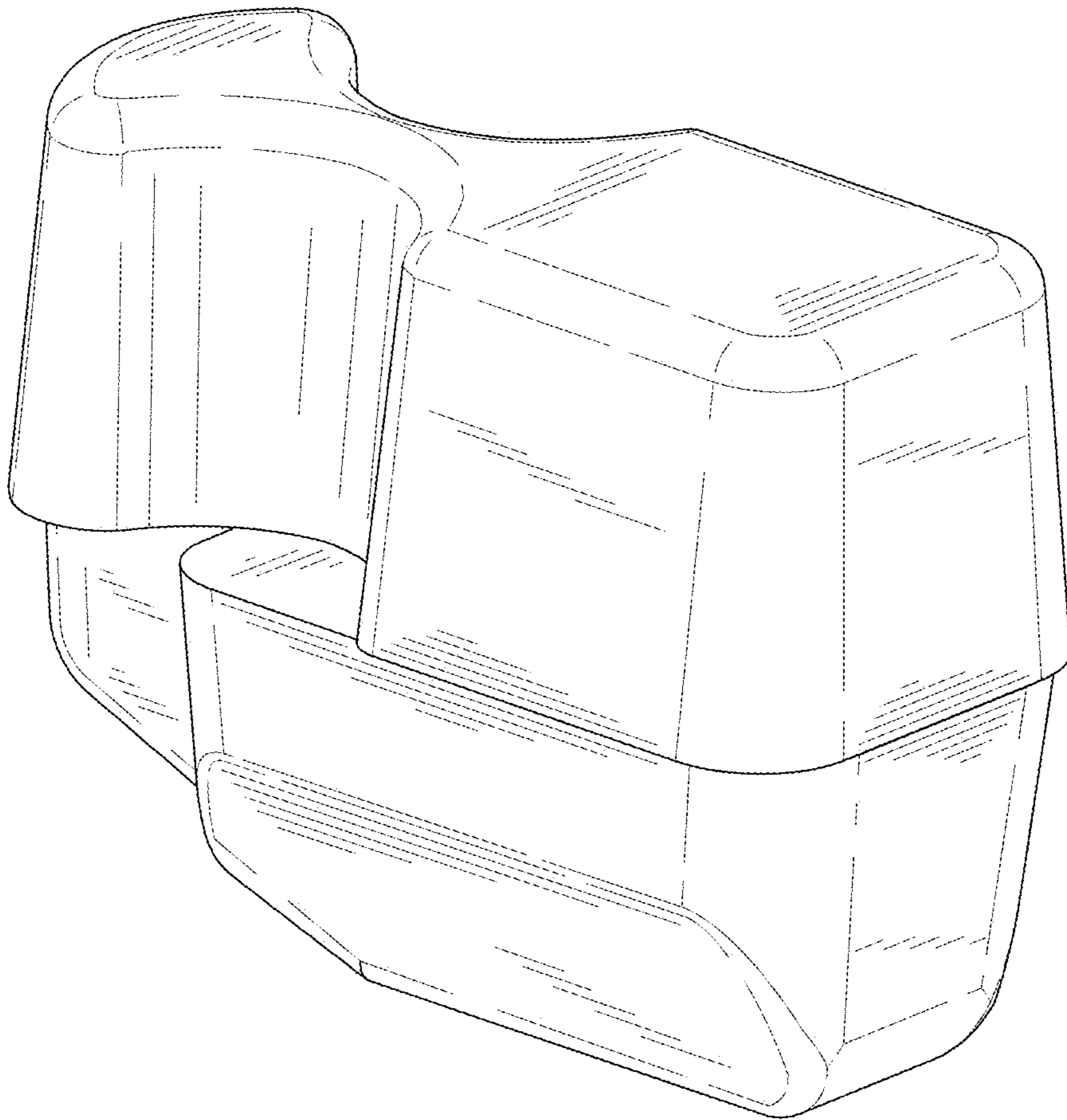


FIG. 2

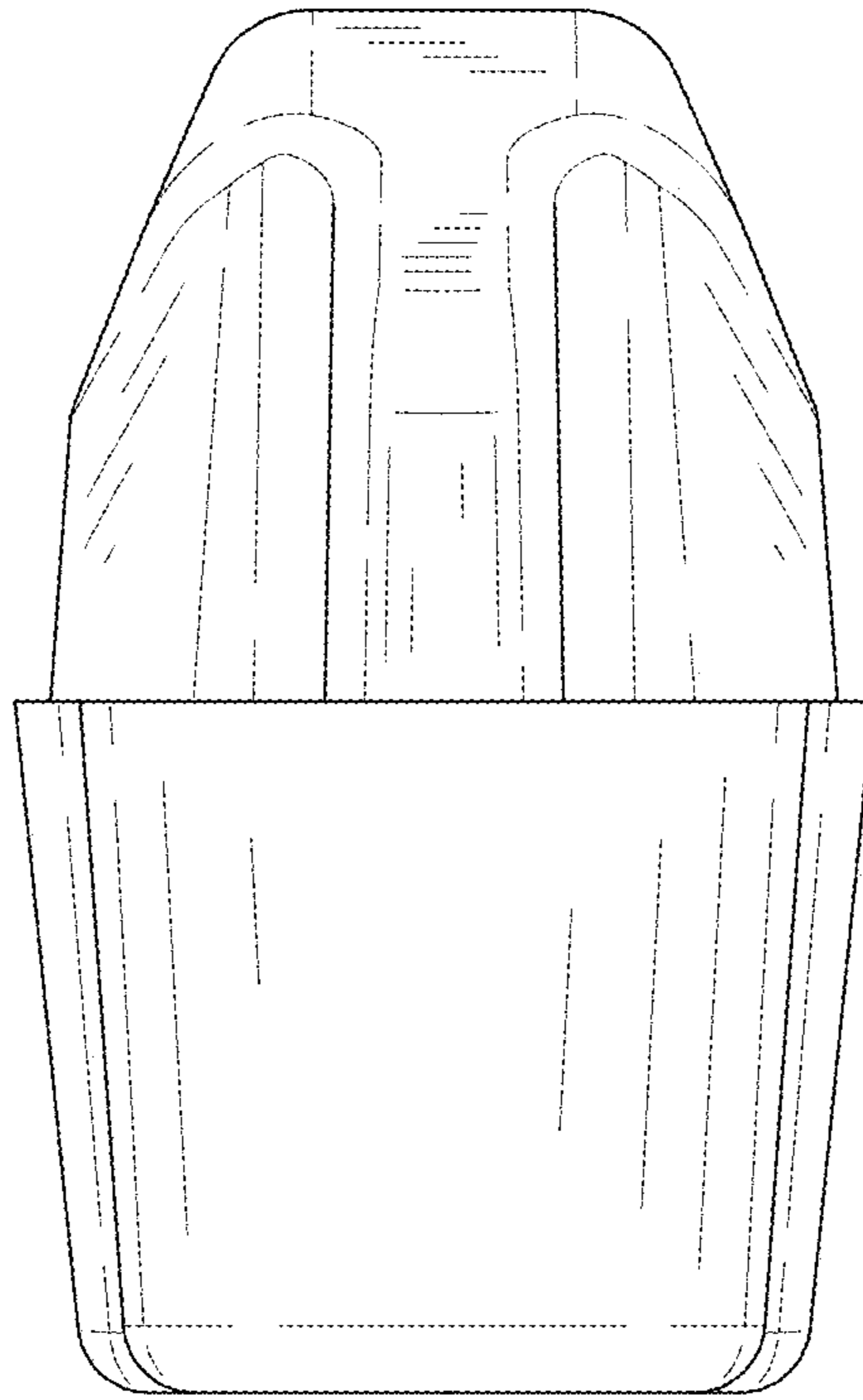


FIG. 3

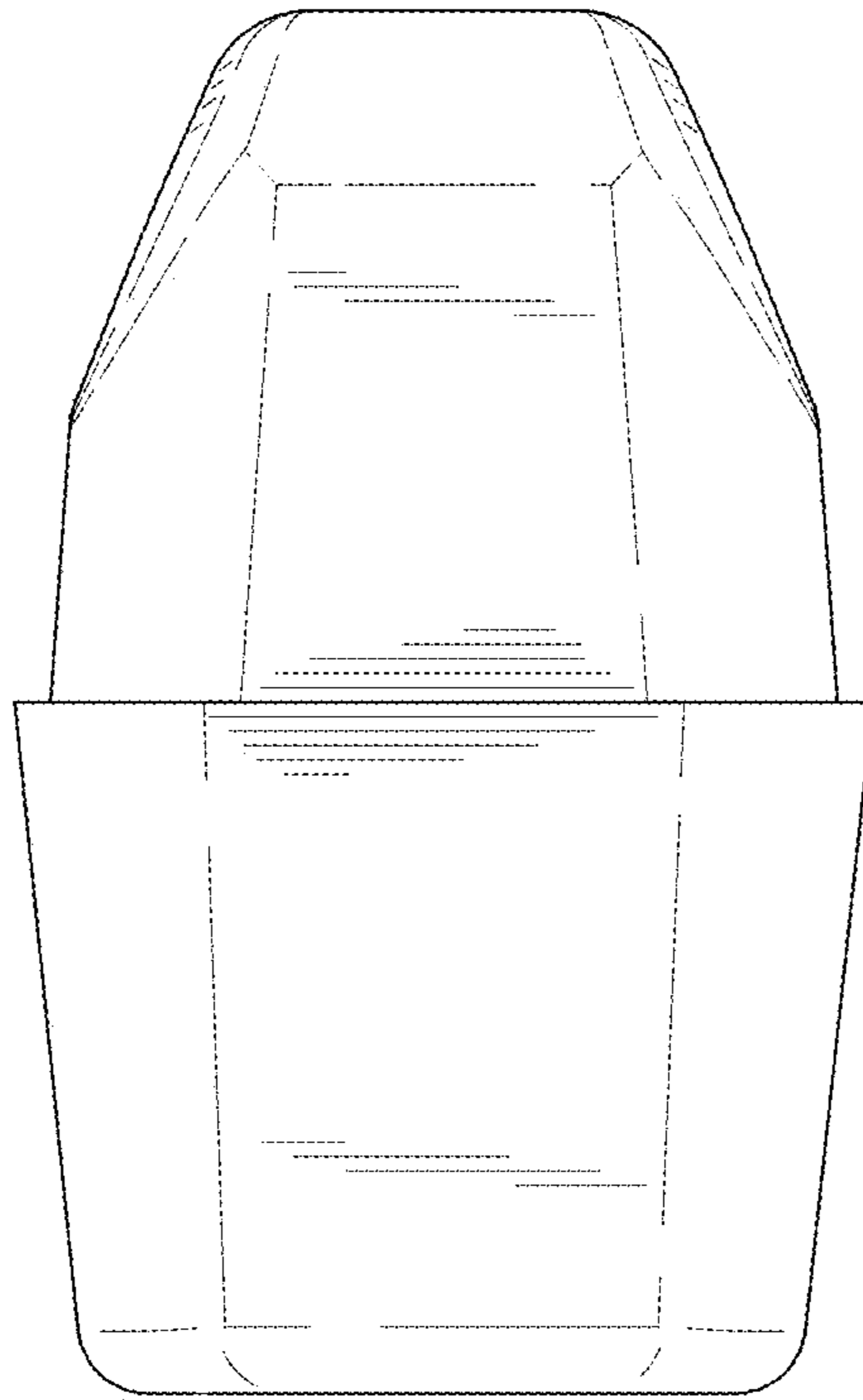


FIG. 4

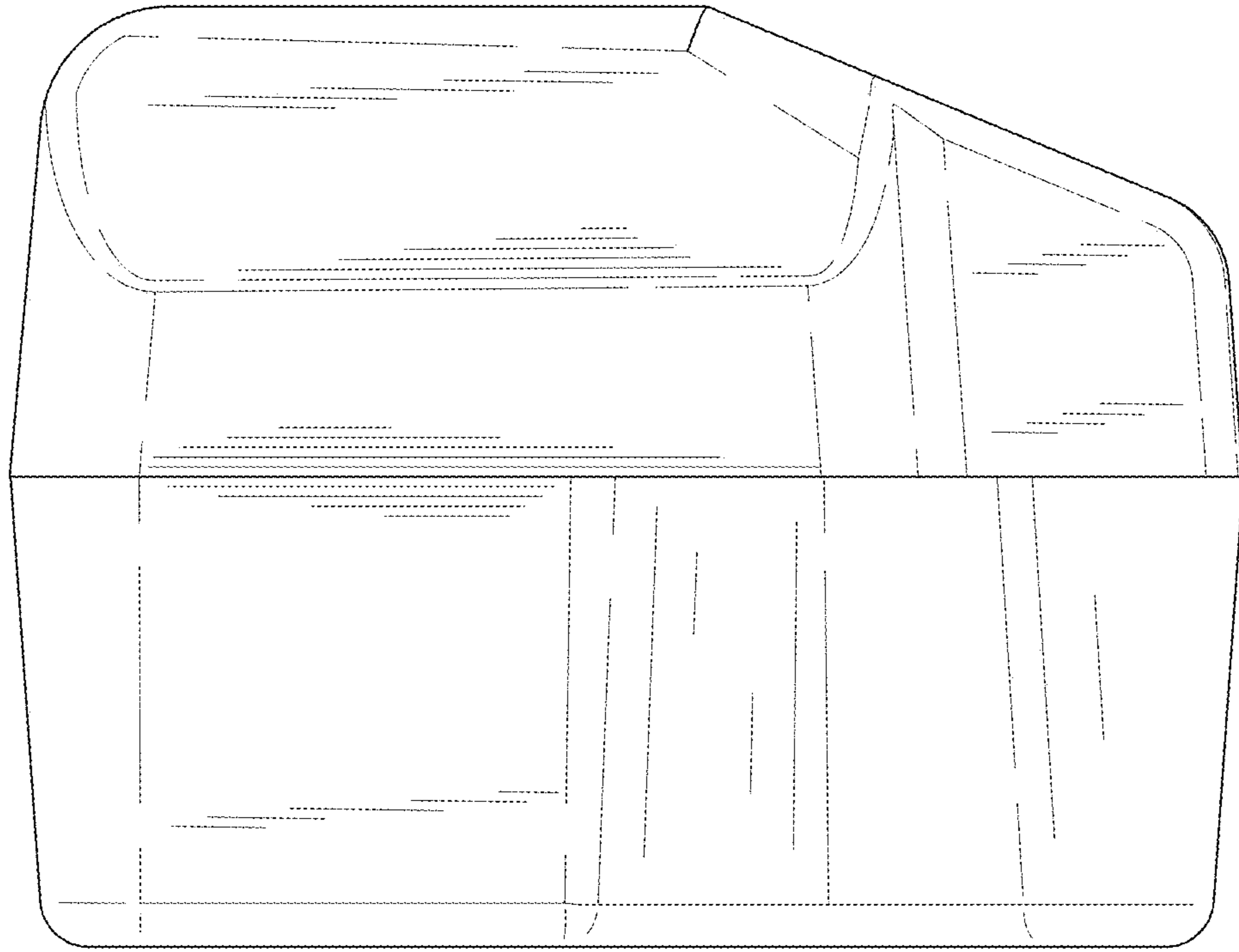


FIG. 5

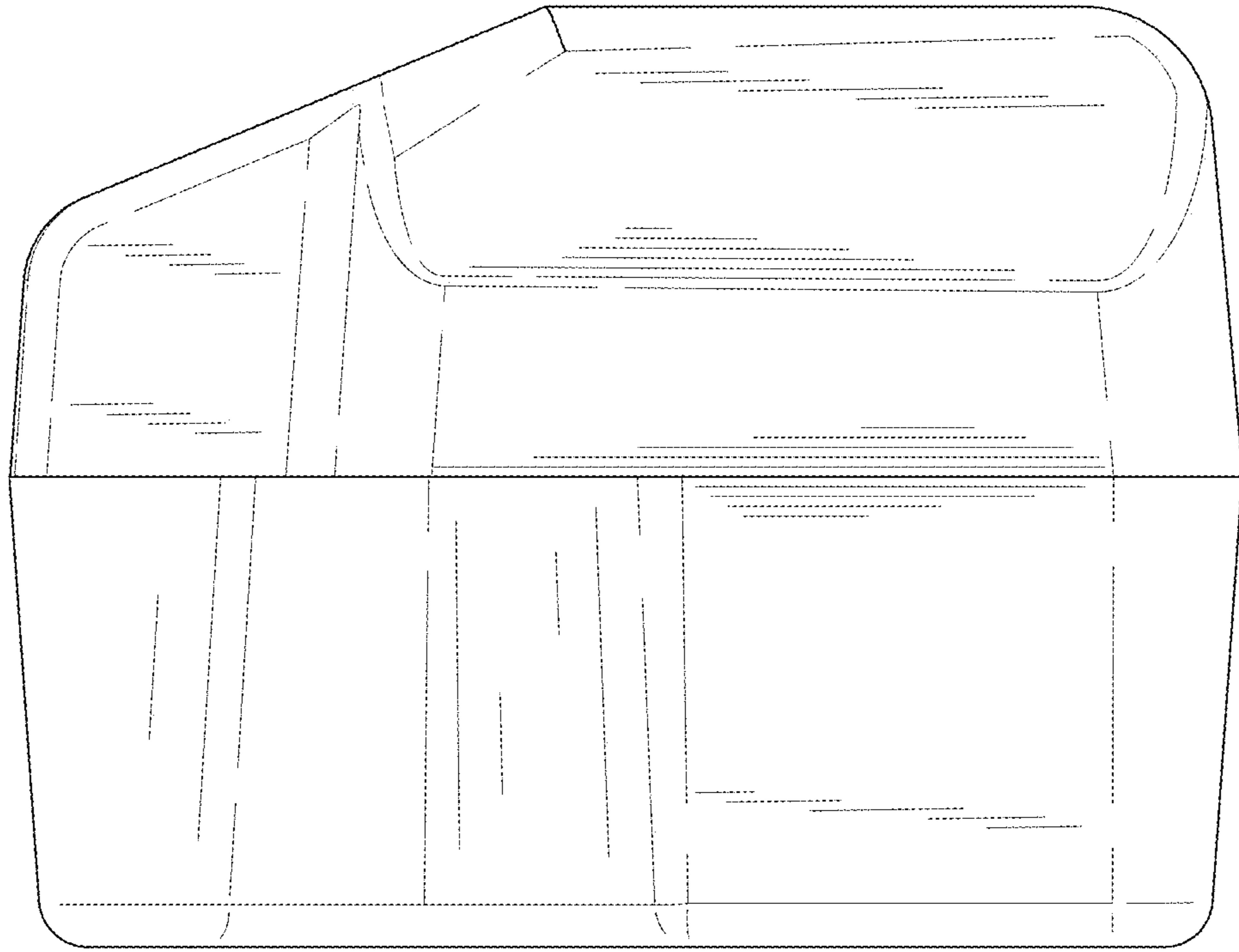


FIG. 6

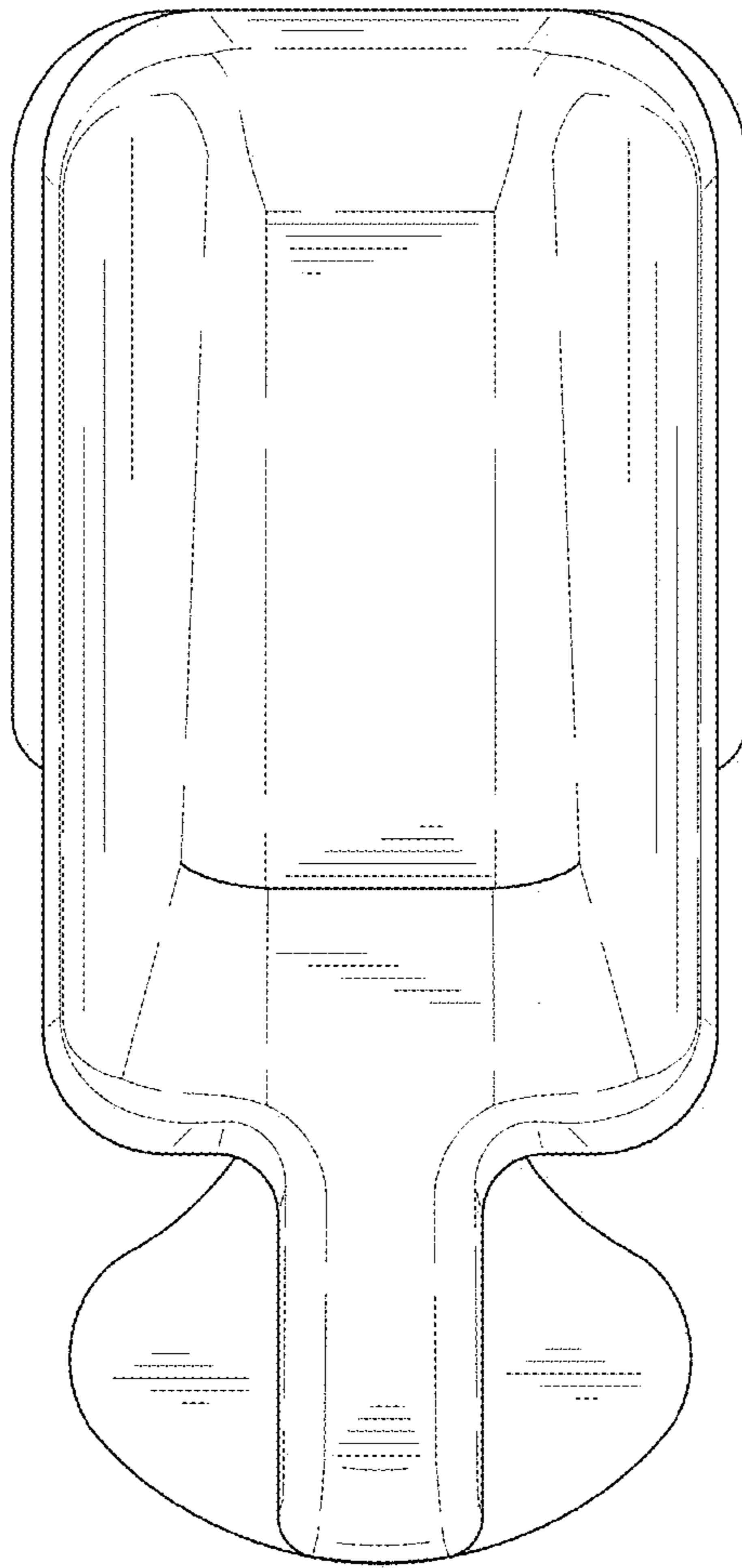


FIG. 7

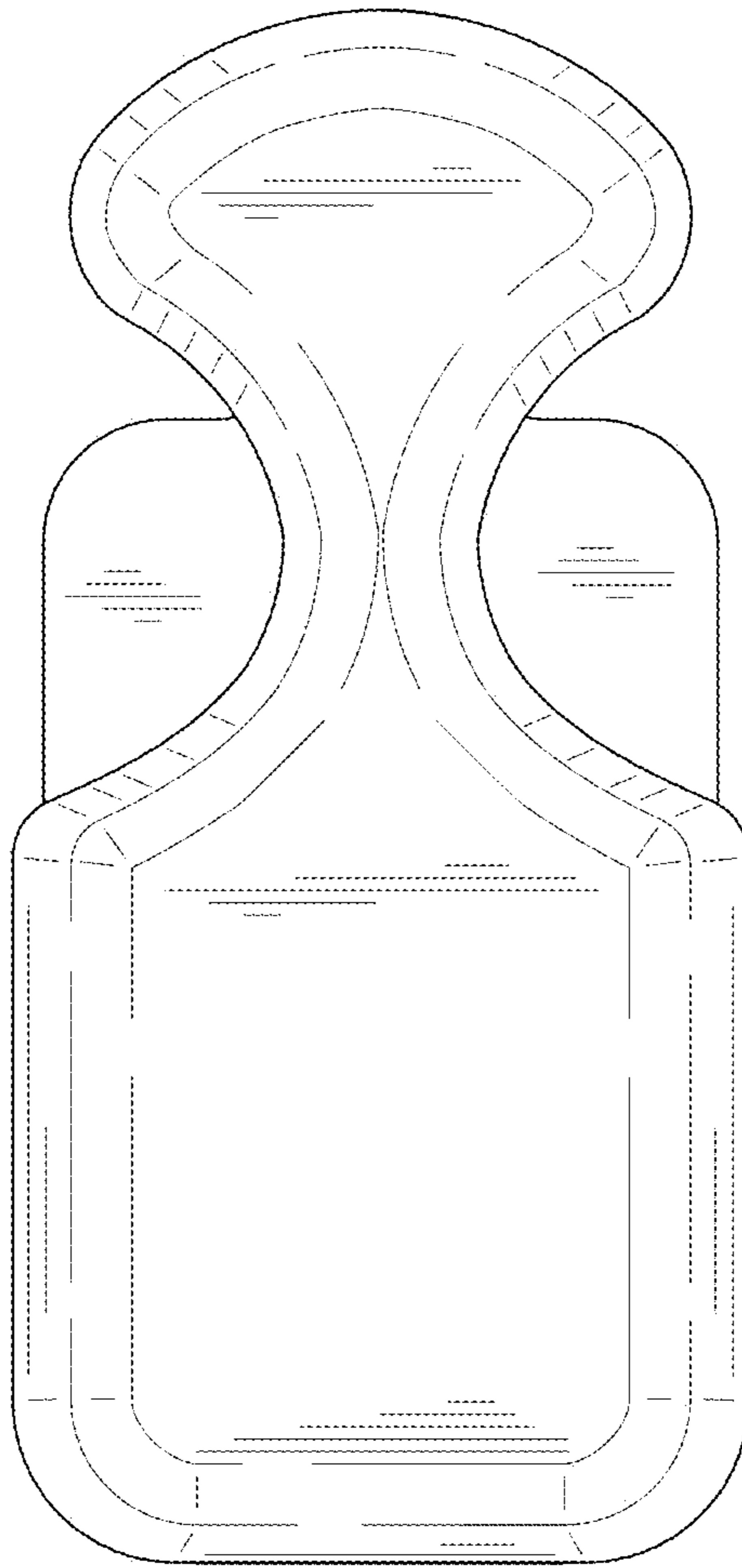


FIG. 8

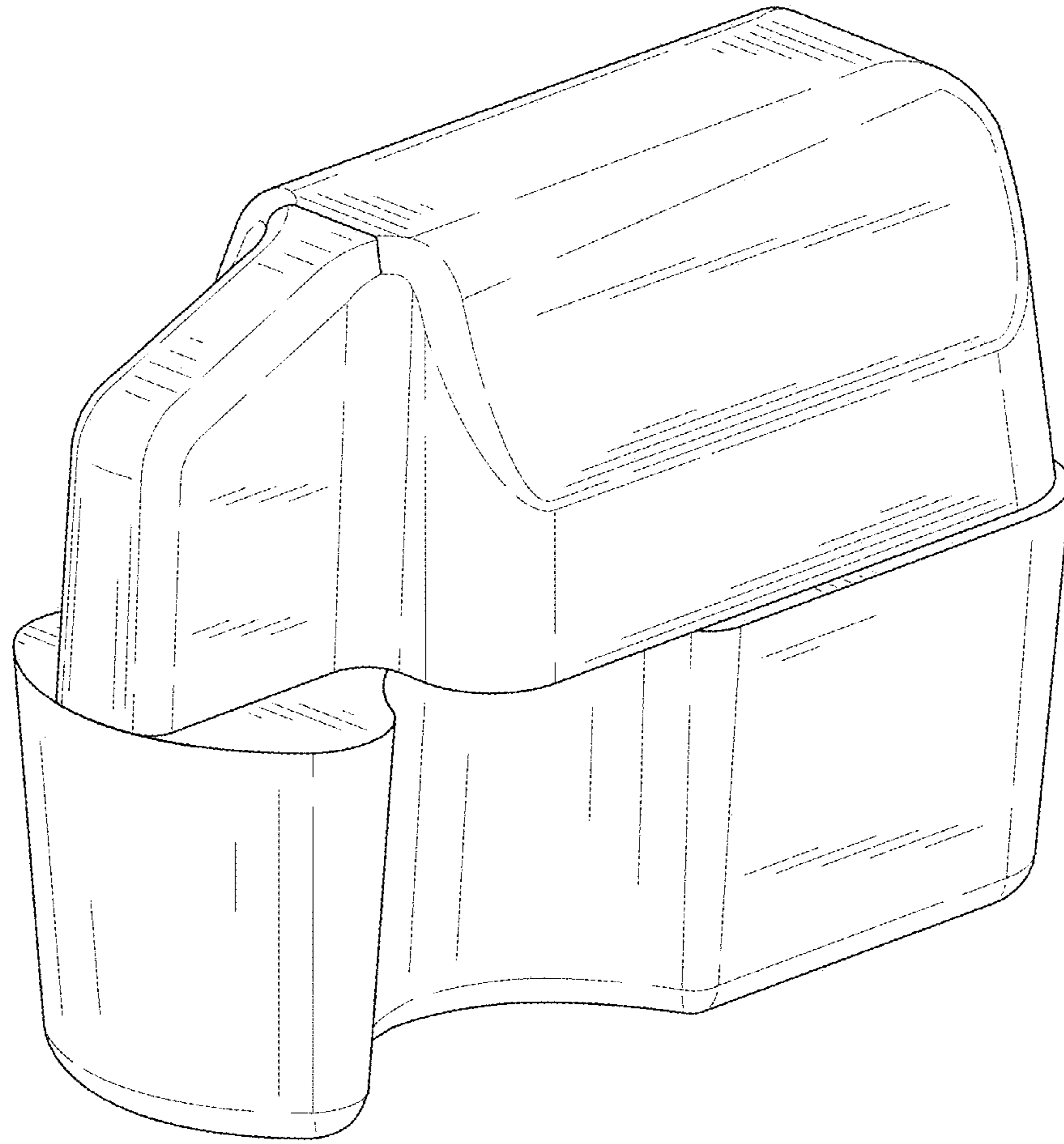


FIG. 9

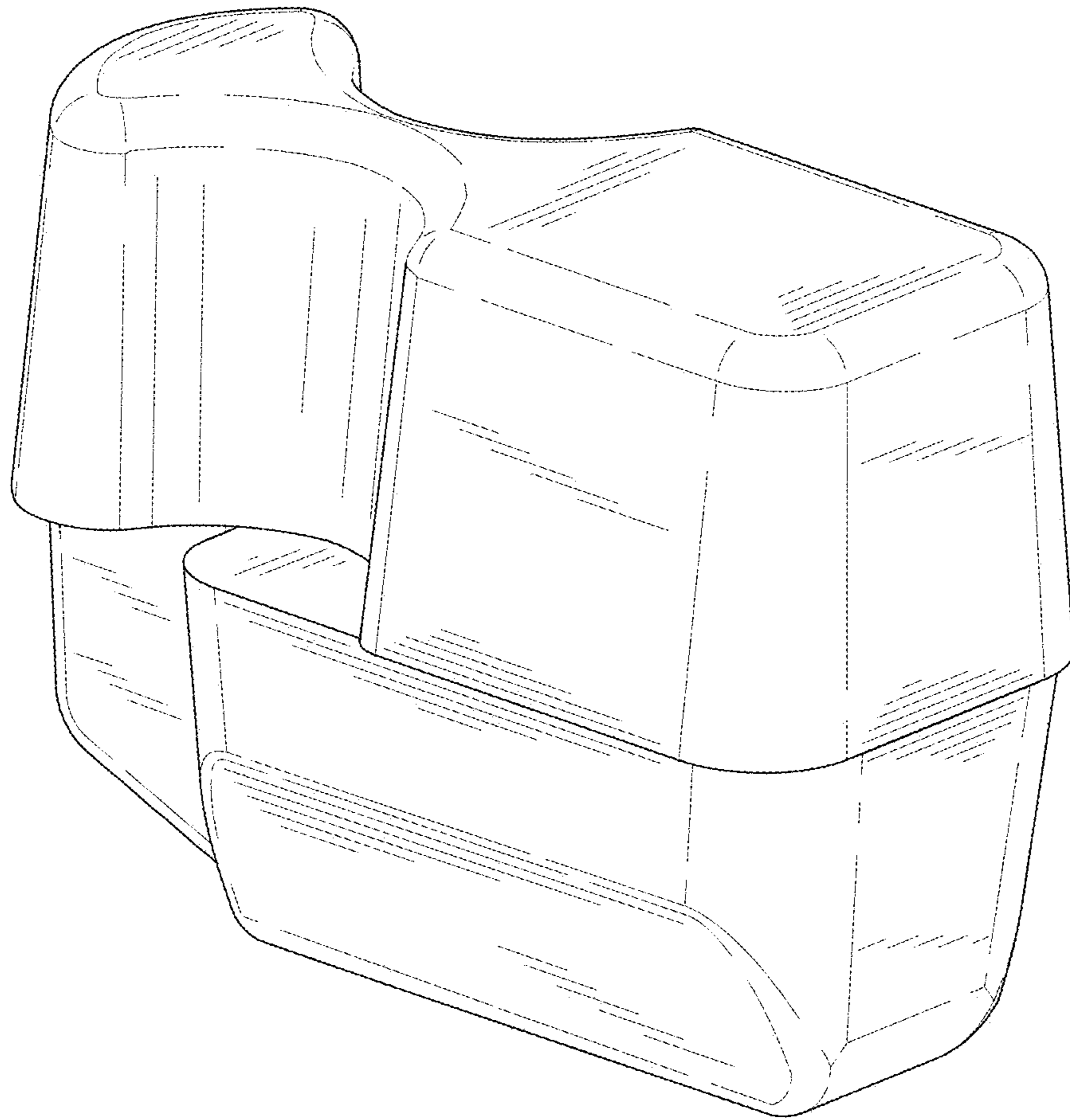


FIG. 10

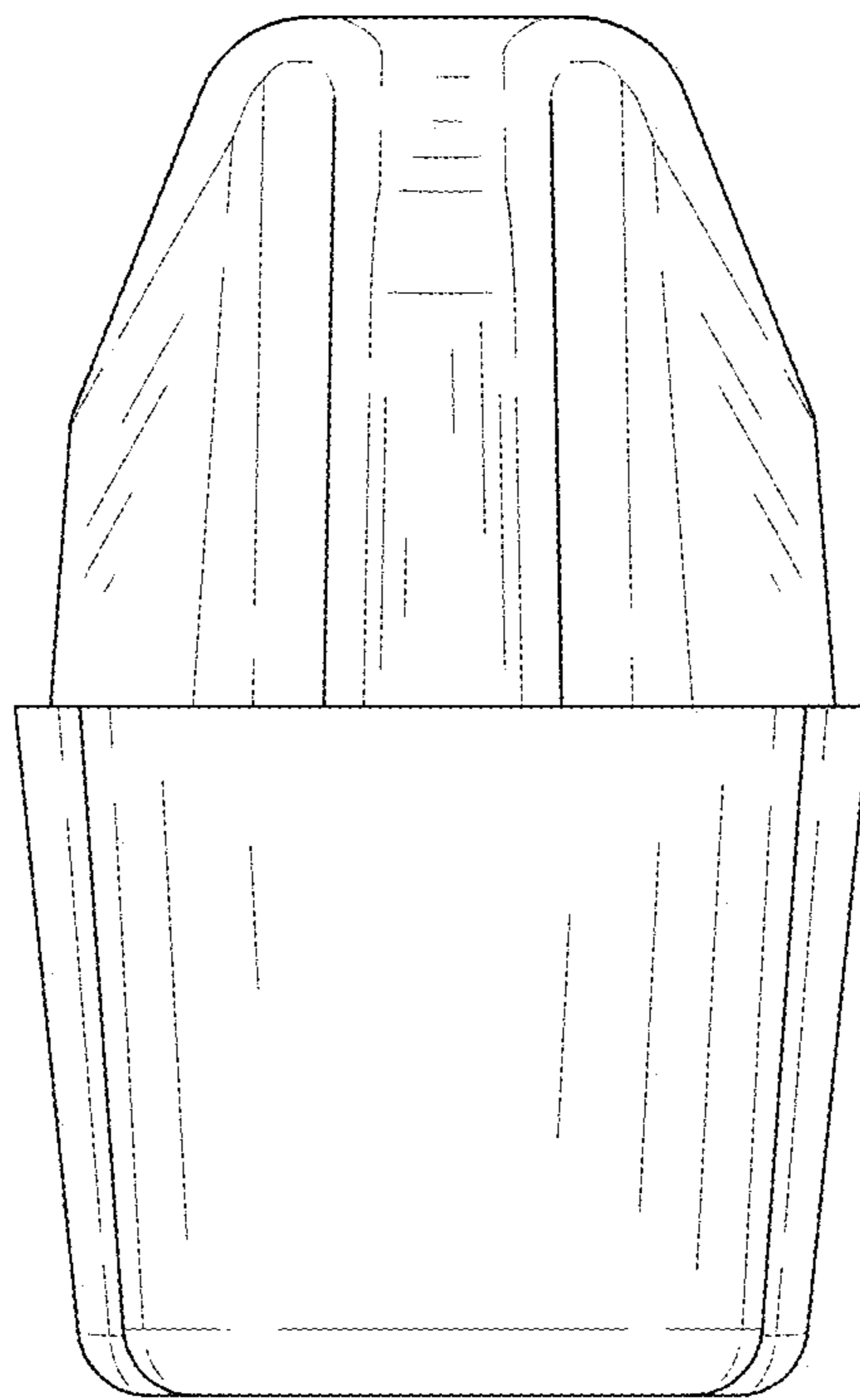


FIG. 11

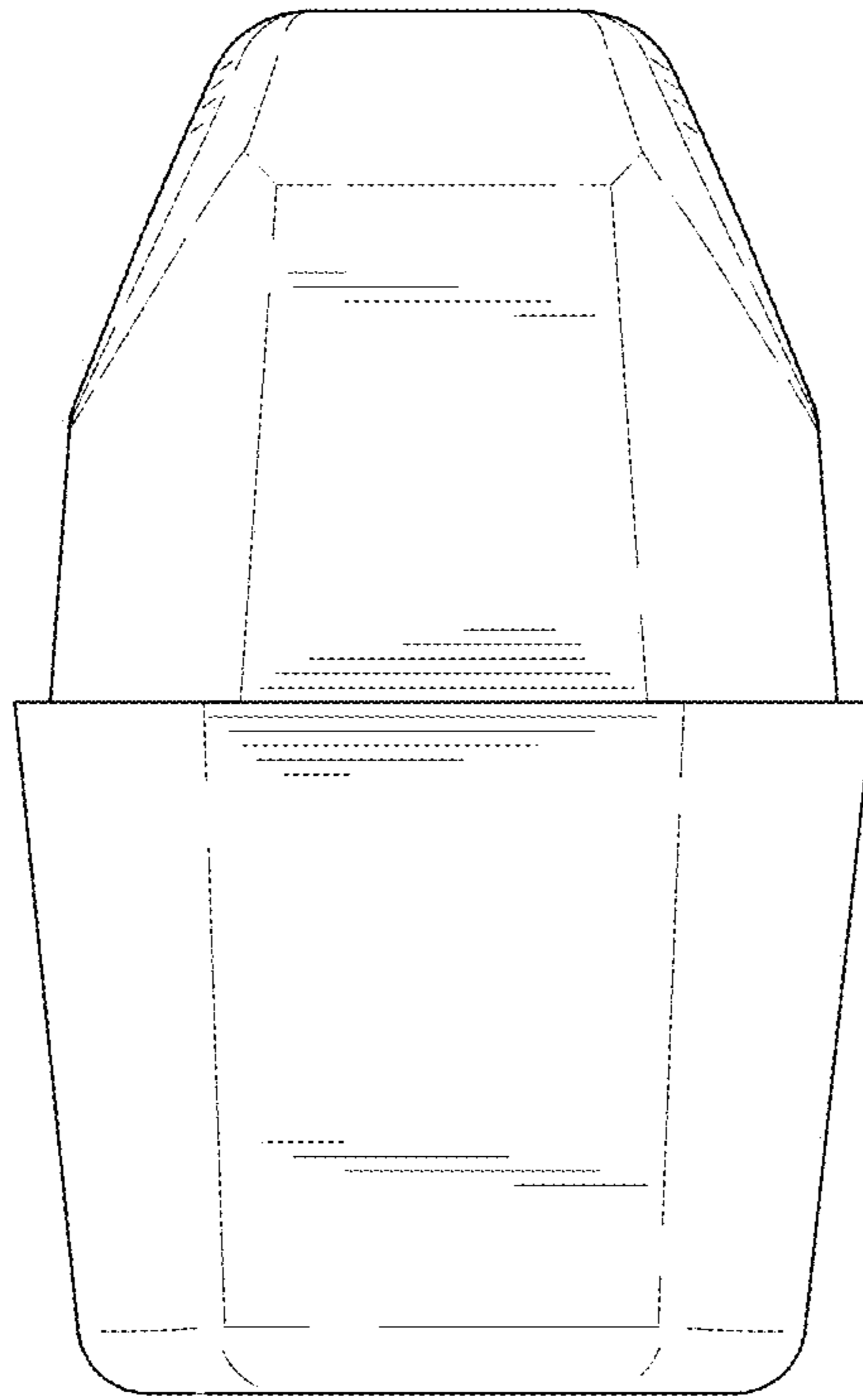


FIG. 12

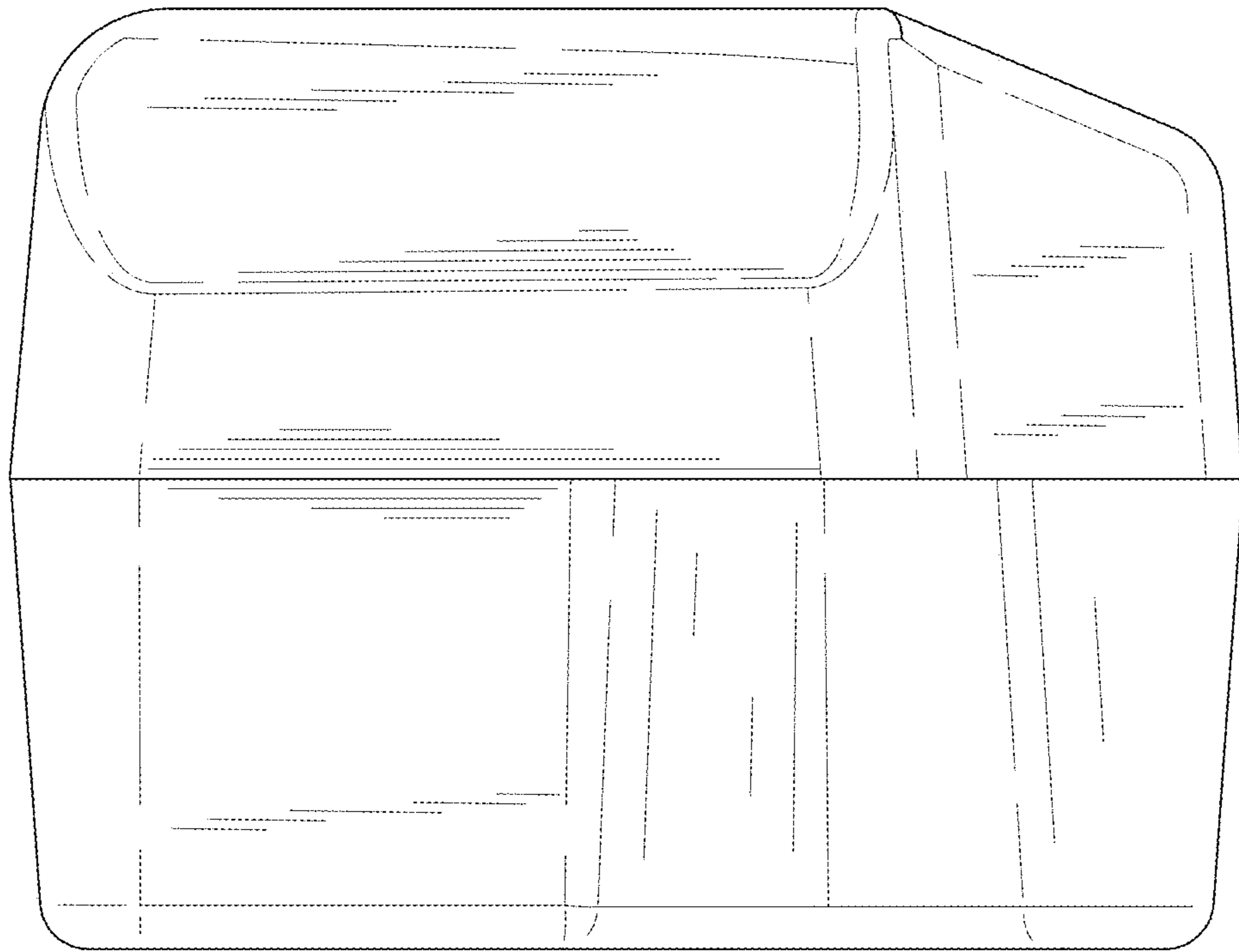


FIG. 13

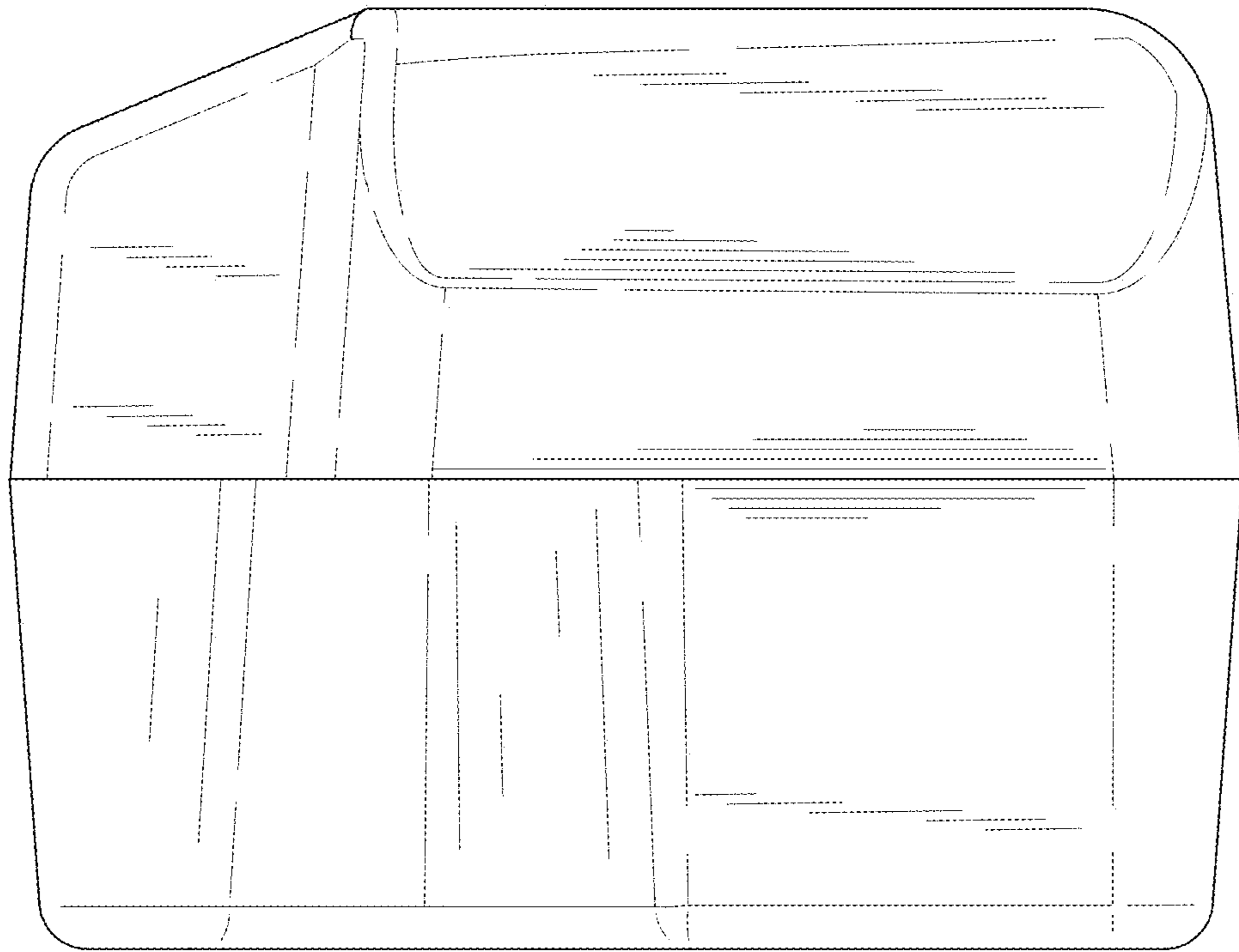


FIG. 14

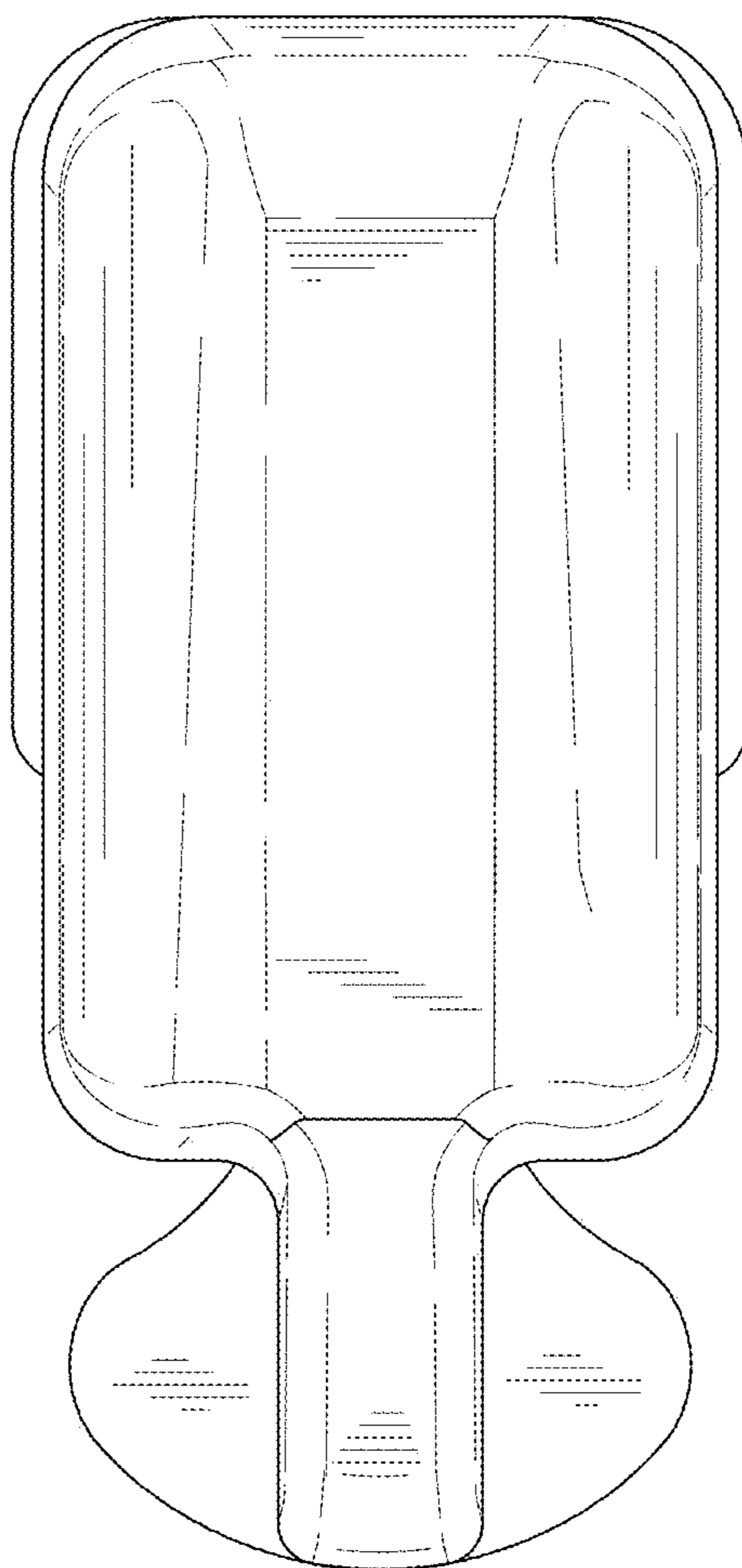


FIG. 15

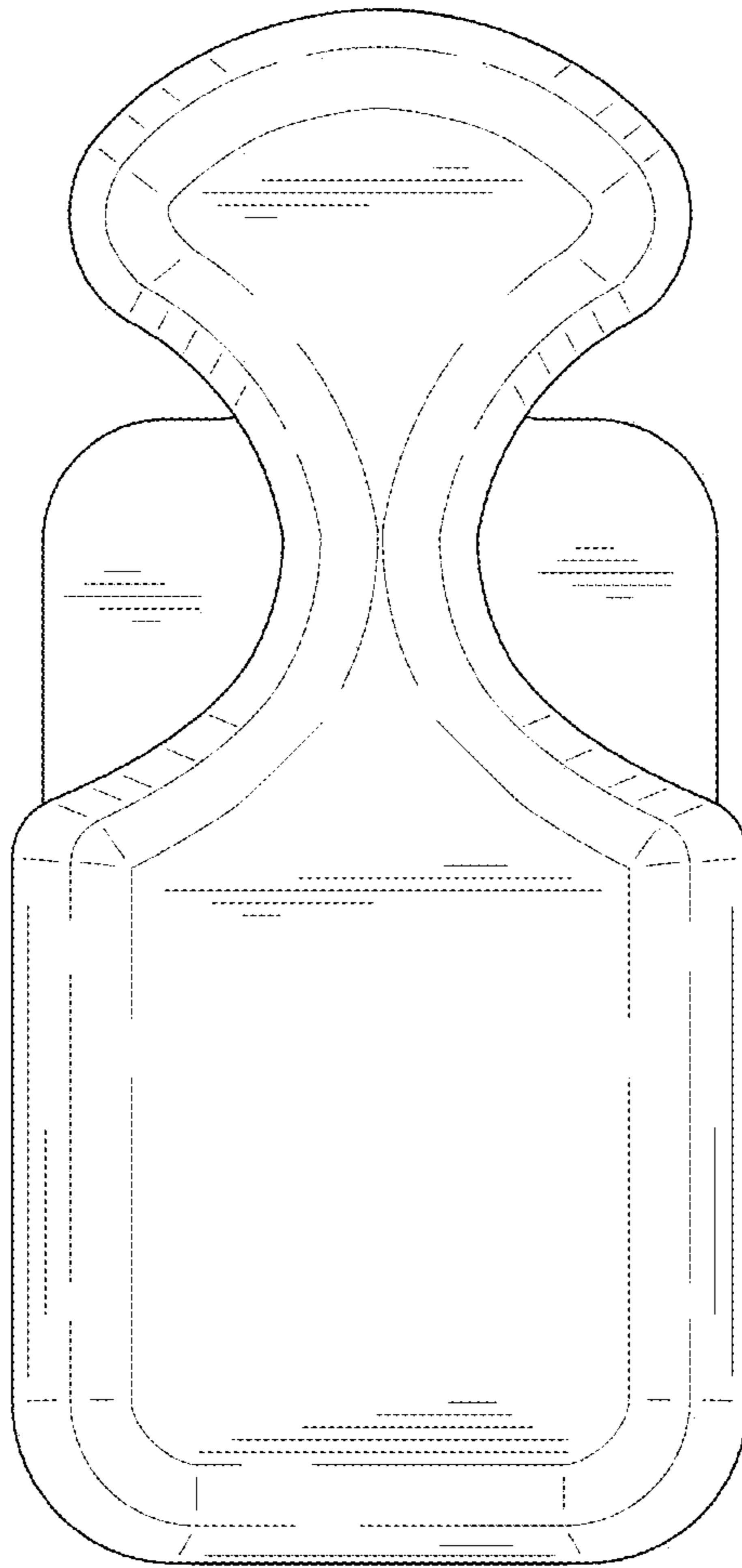


FIG. 16

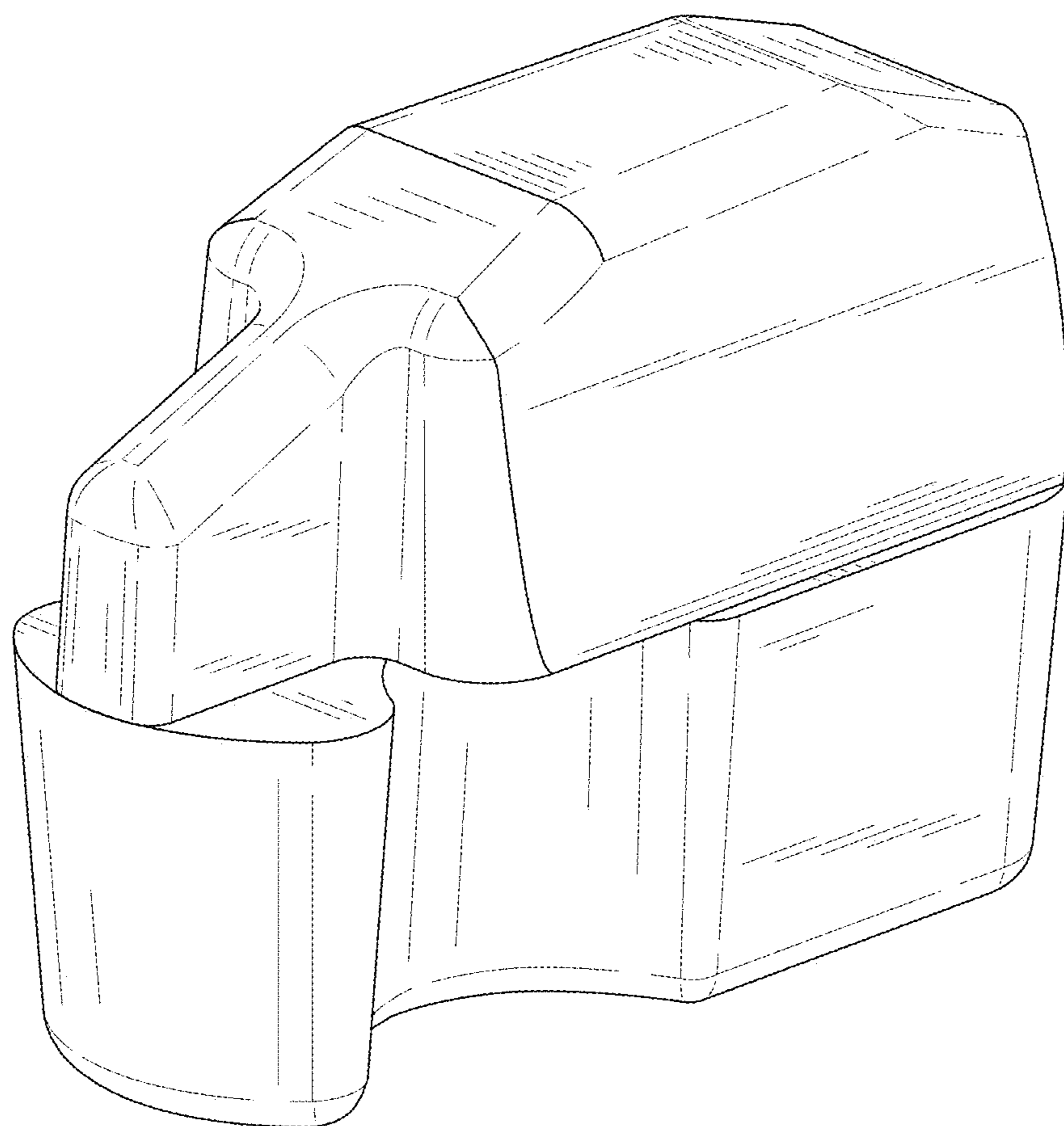


FIG. 17

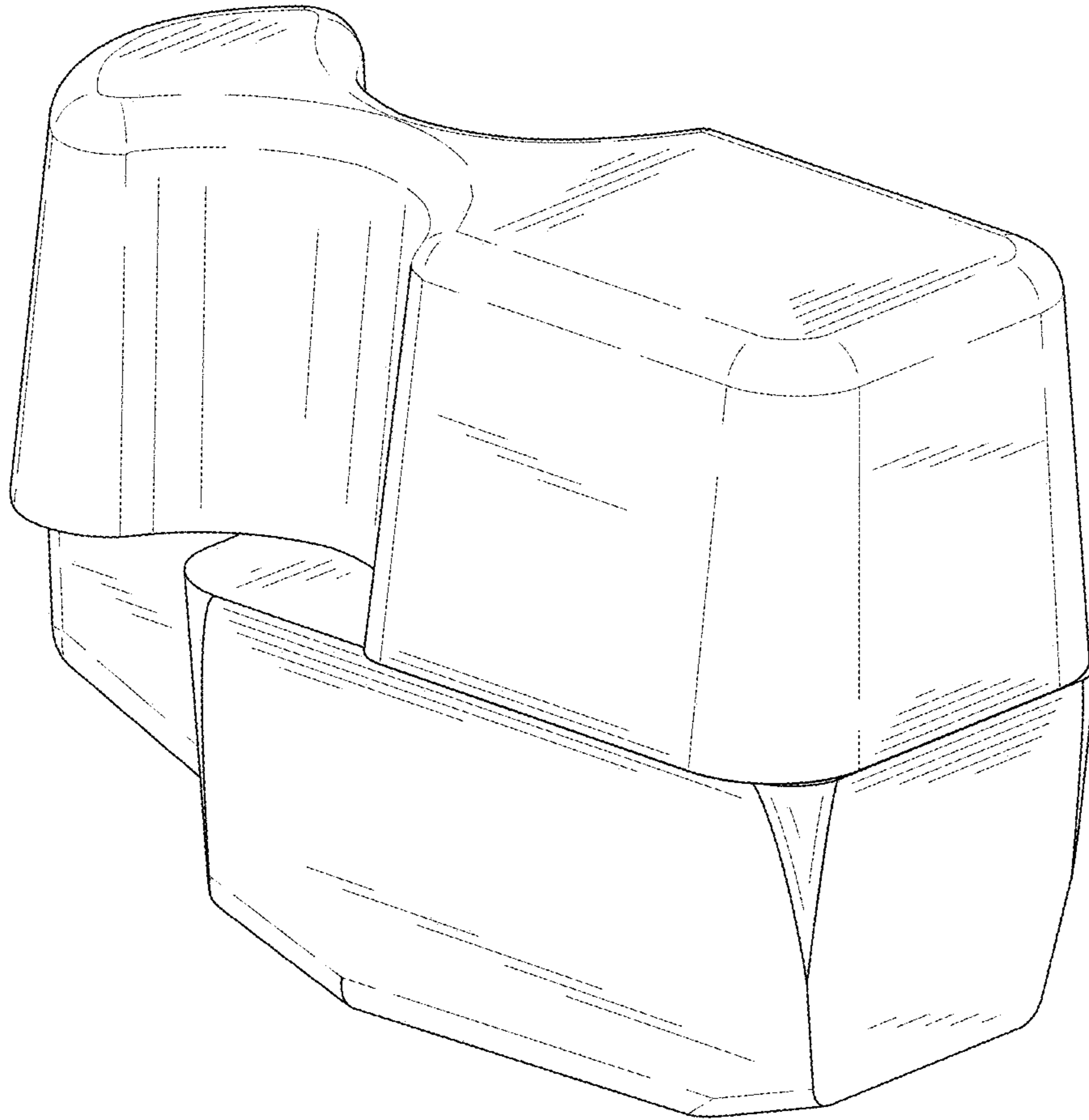


FIG. 18

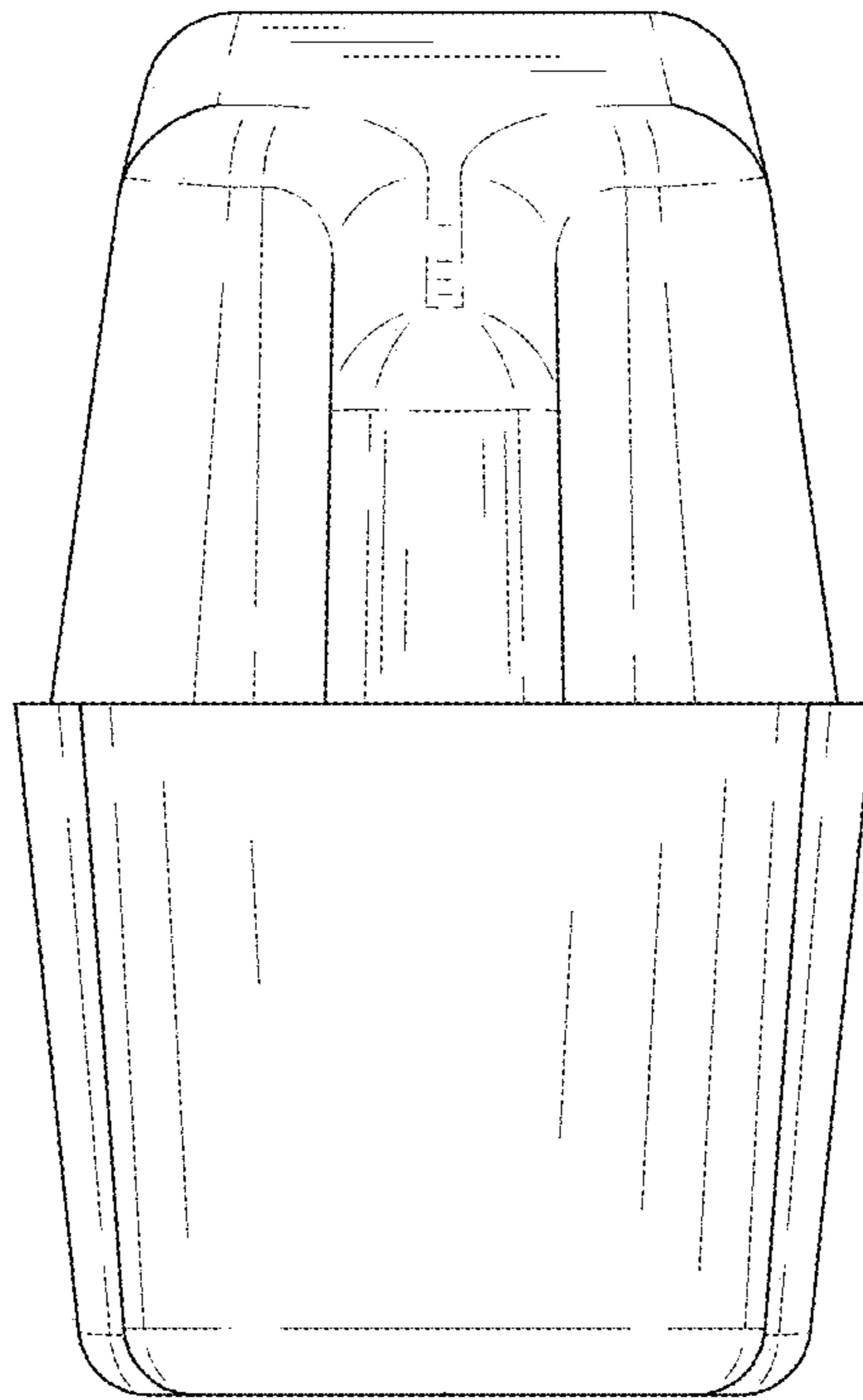


FIG. 19

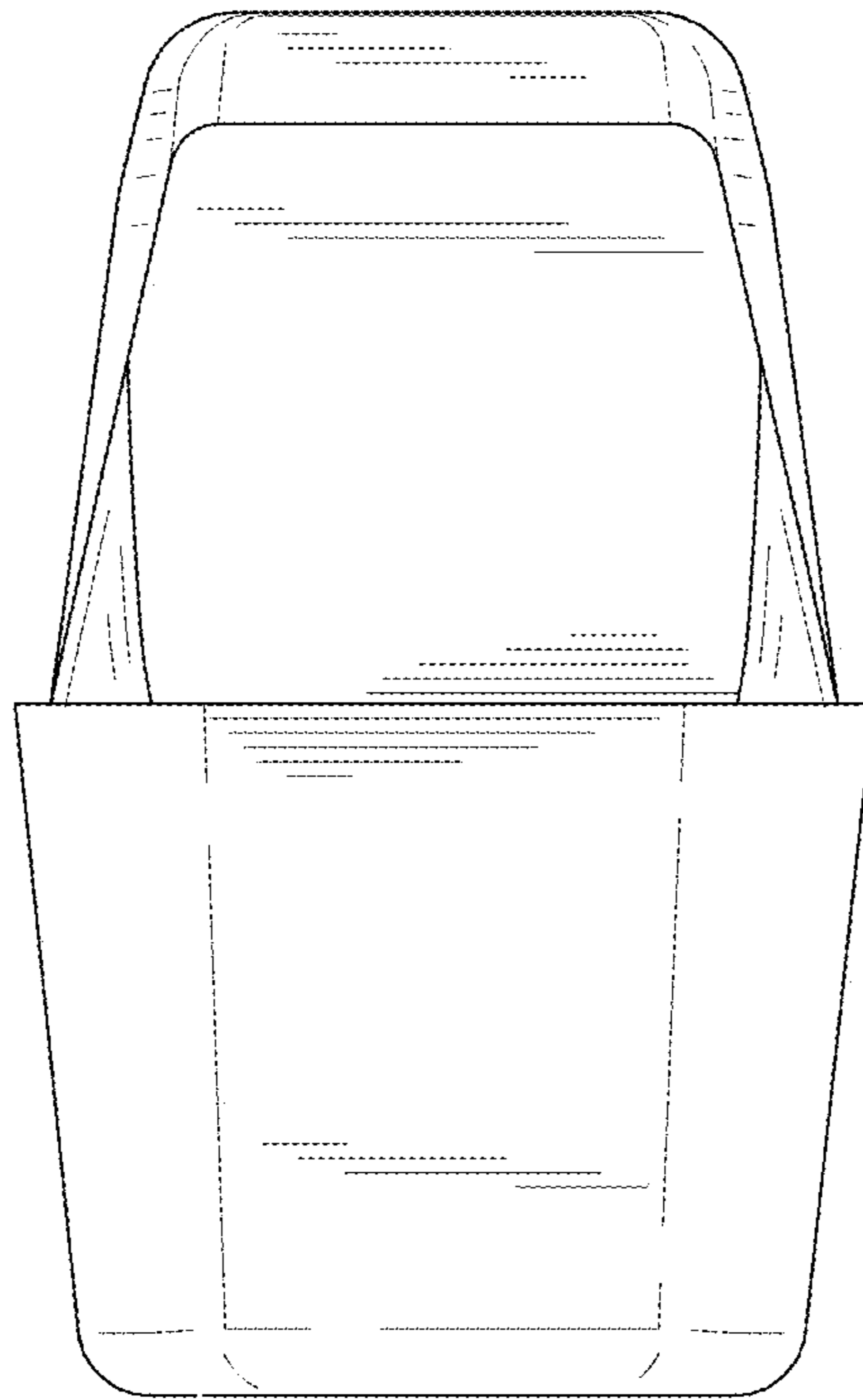


FIG. 20

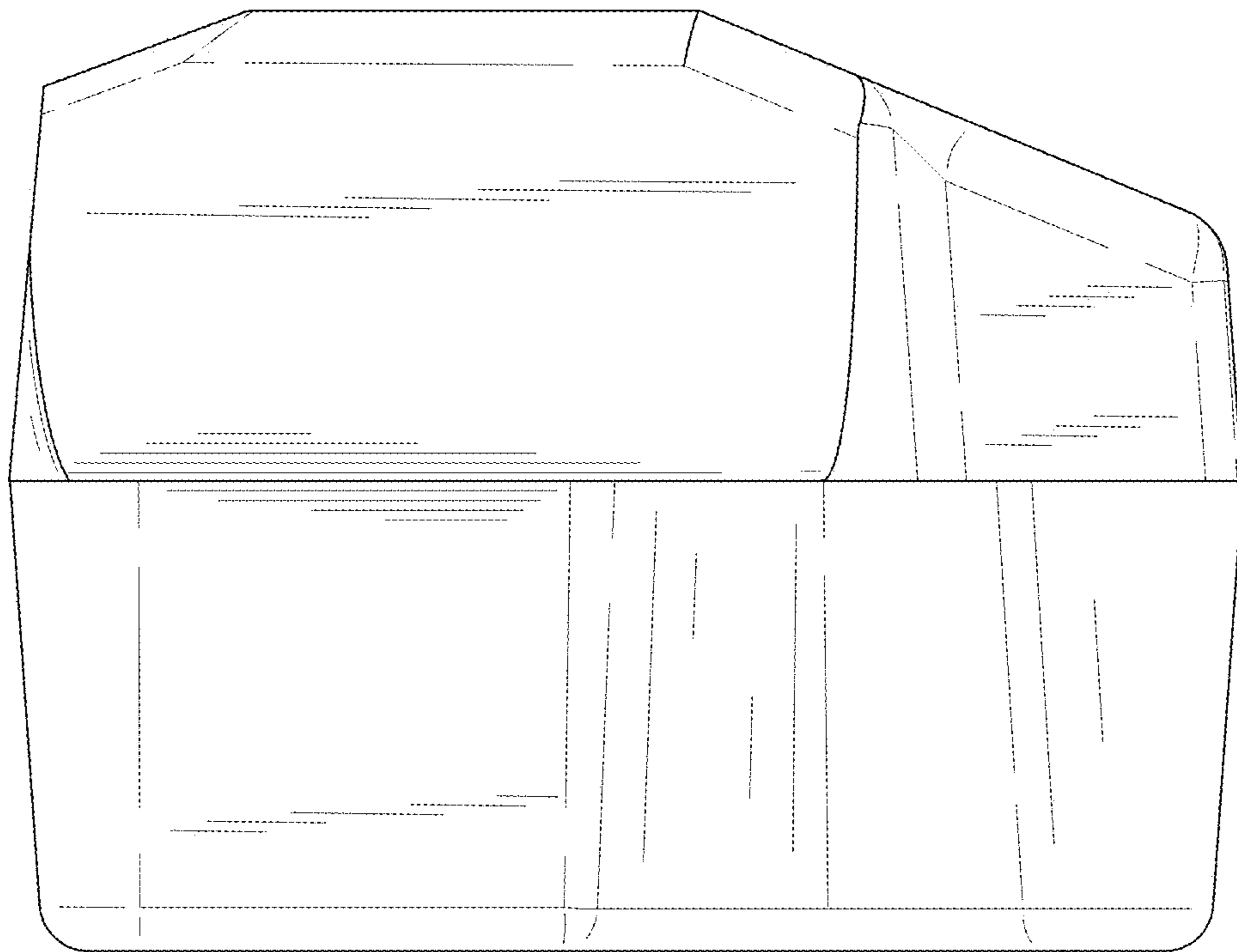


FIG. 21

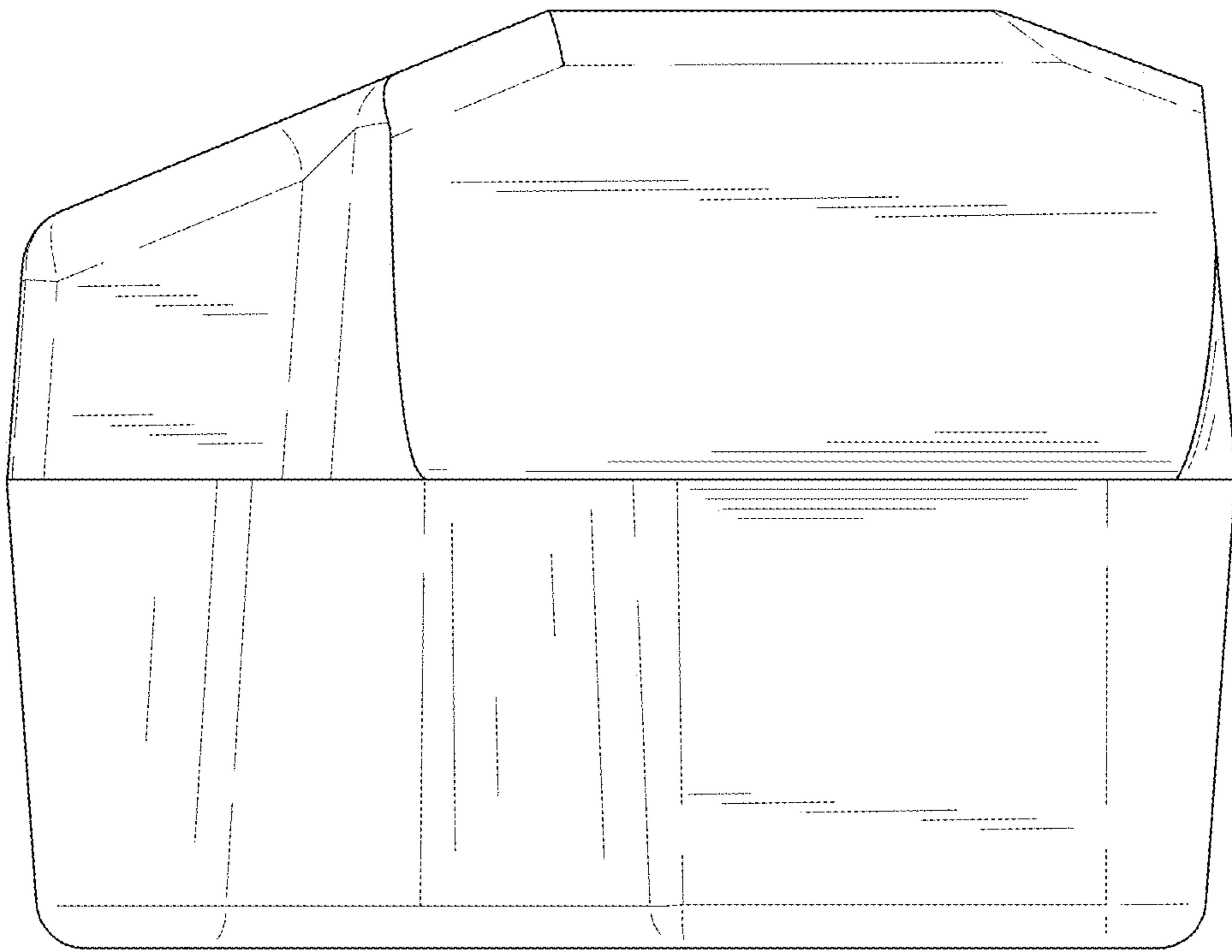


FIG. 22

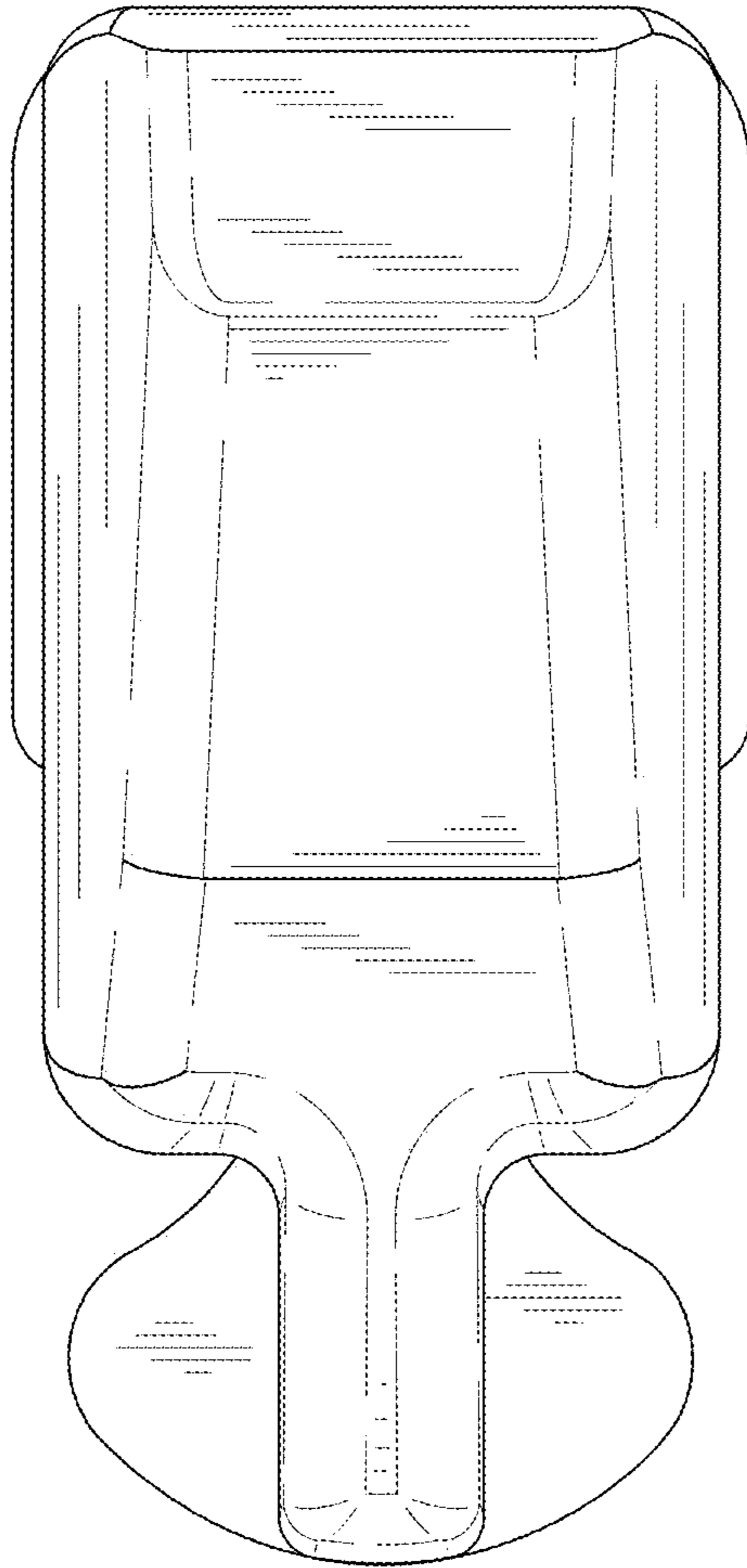


FIG. 23

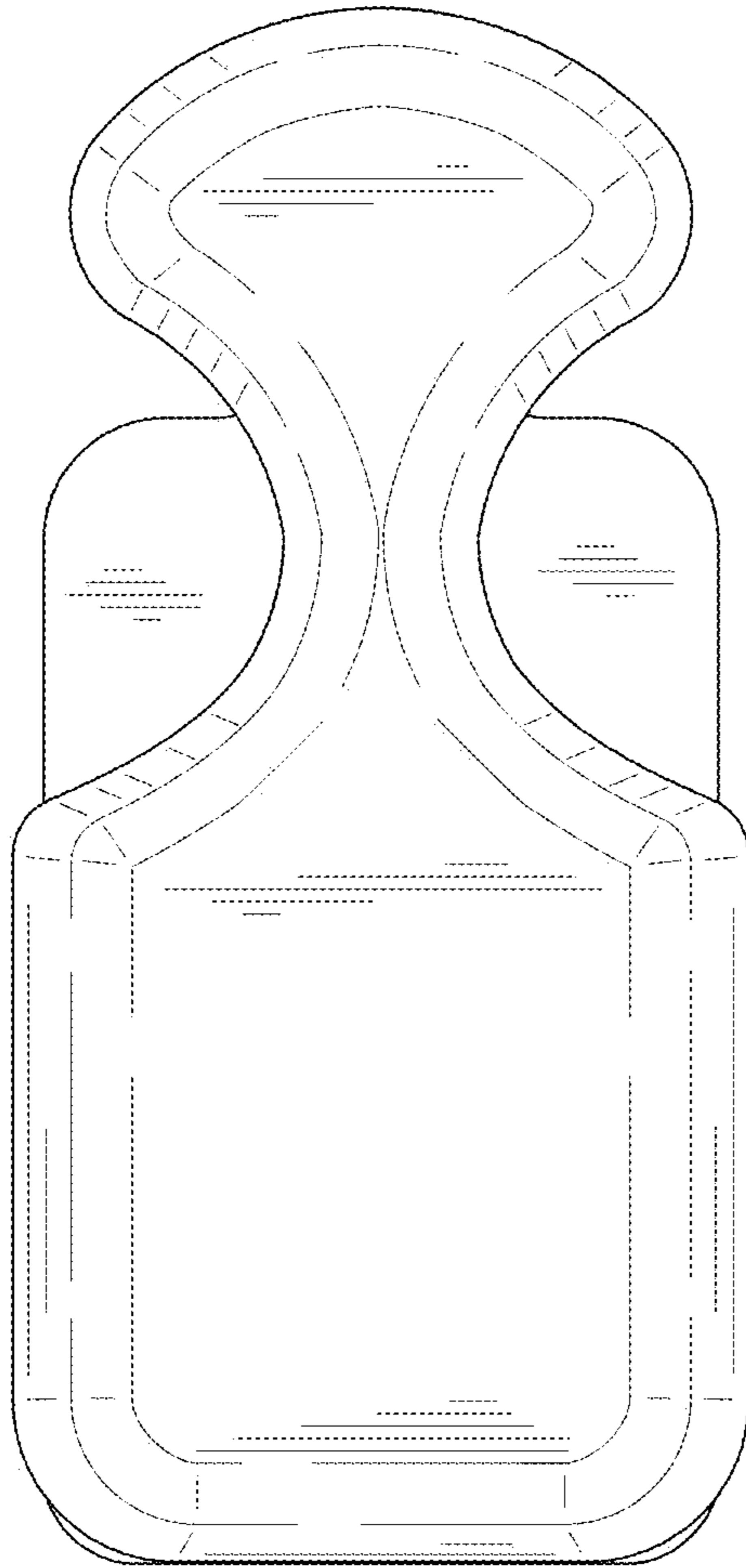


FIG. 24

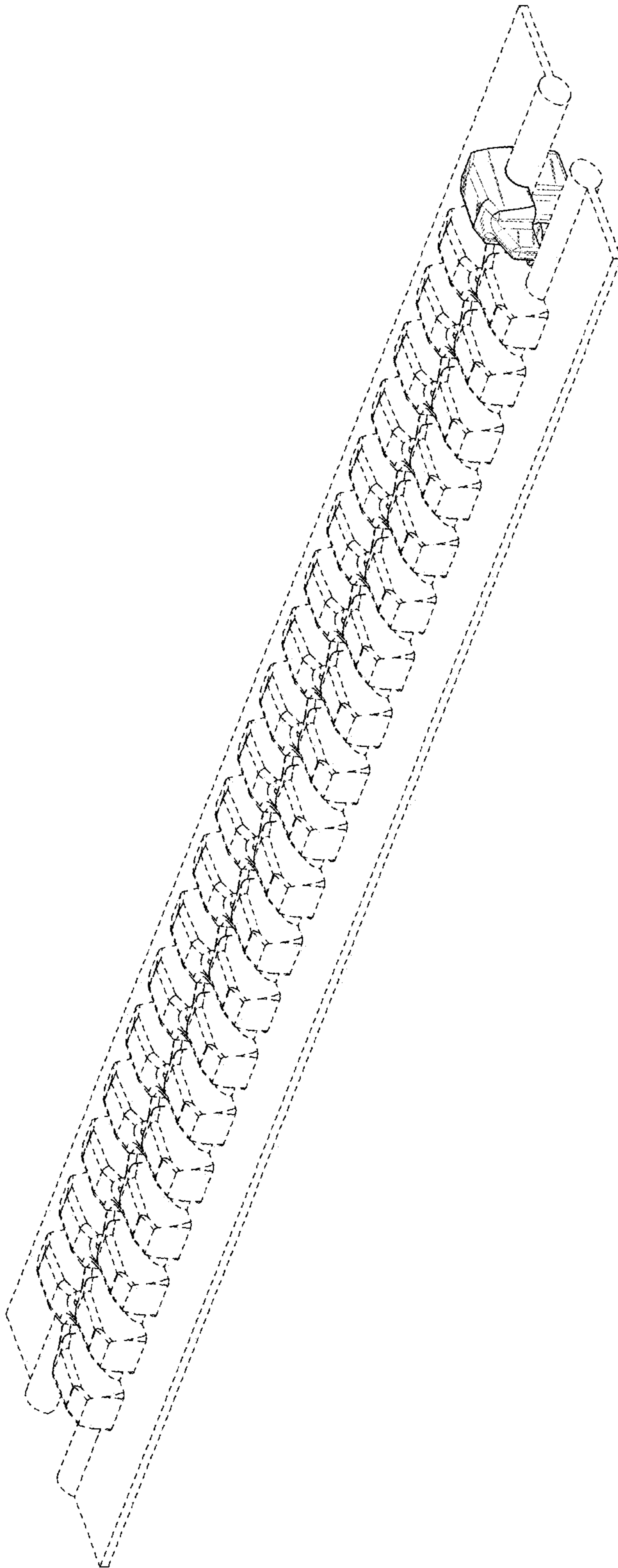


FIG. 25

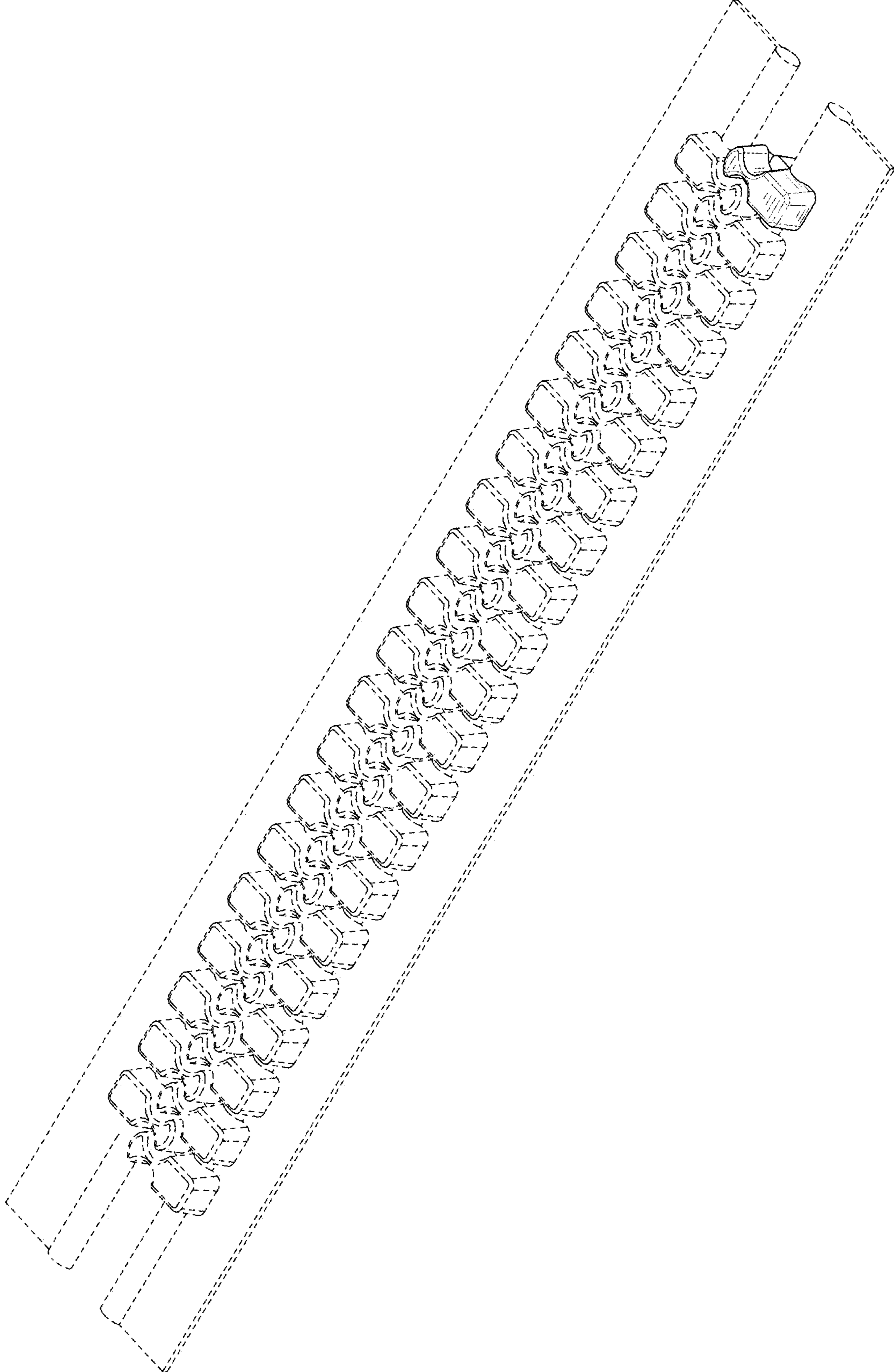


FIG. 26

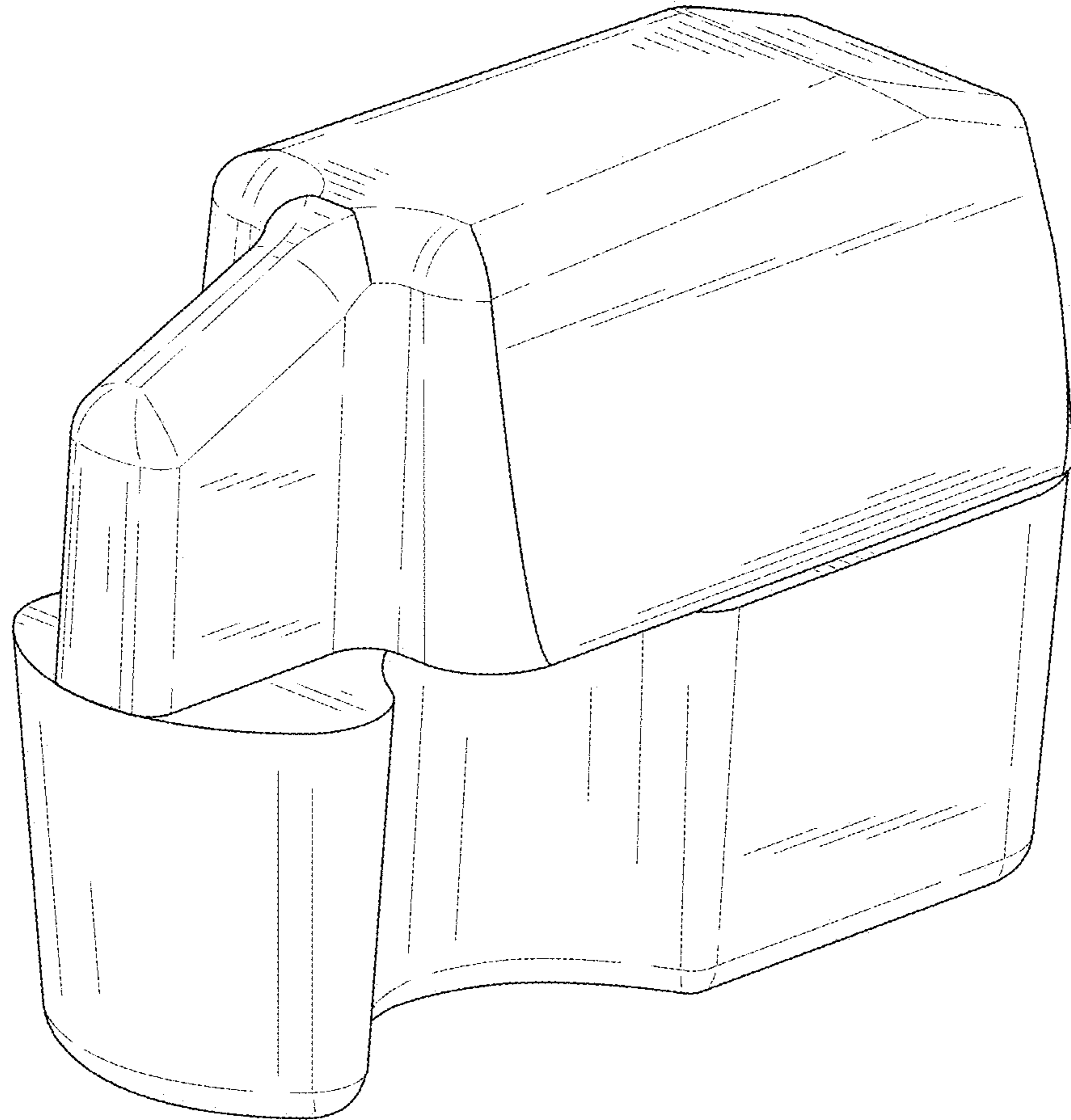


FIG. 27

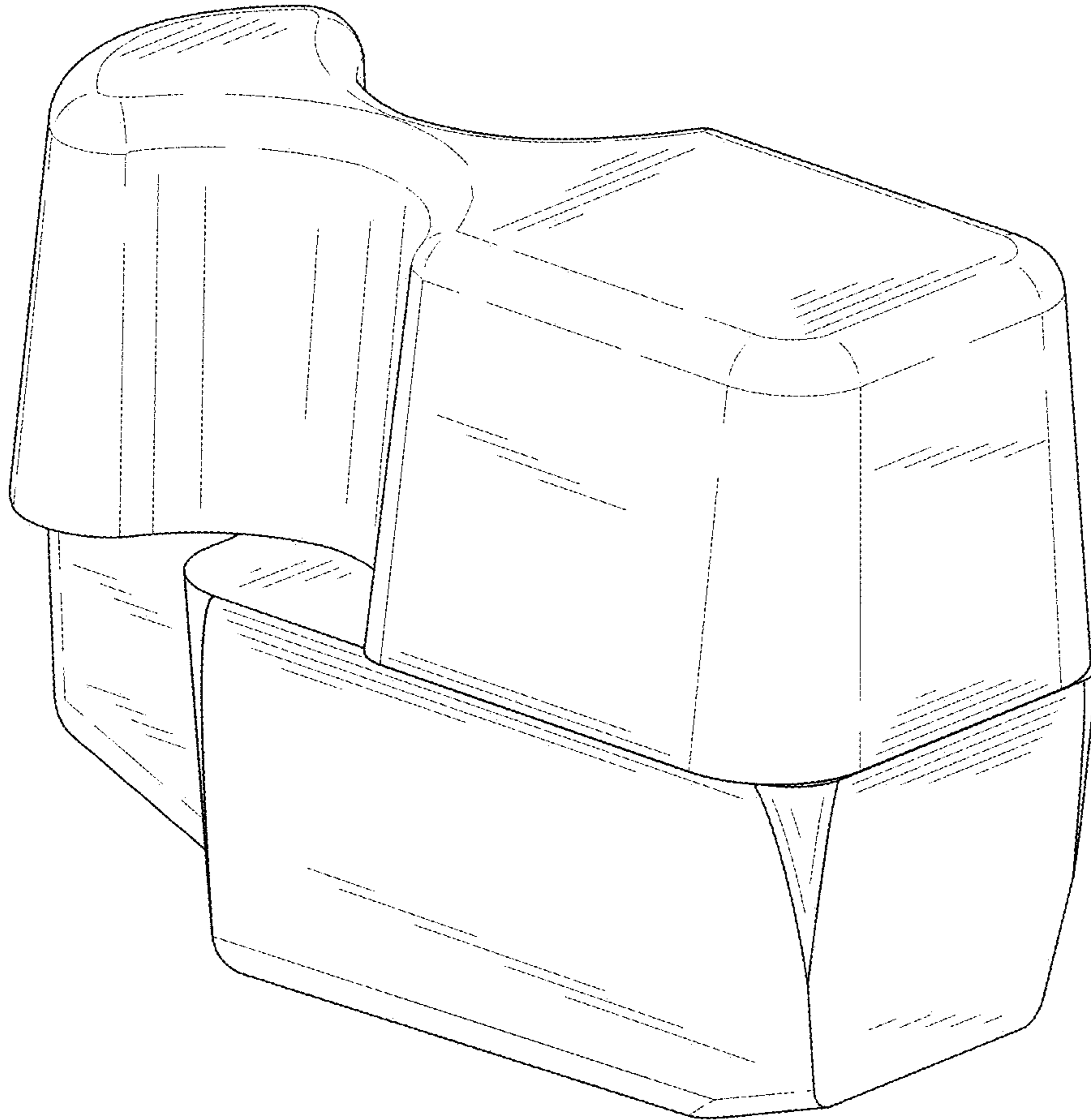


FIG. 28

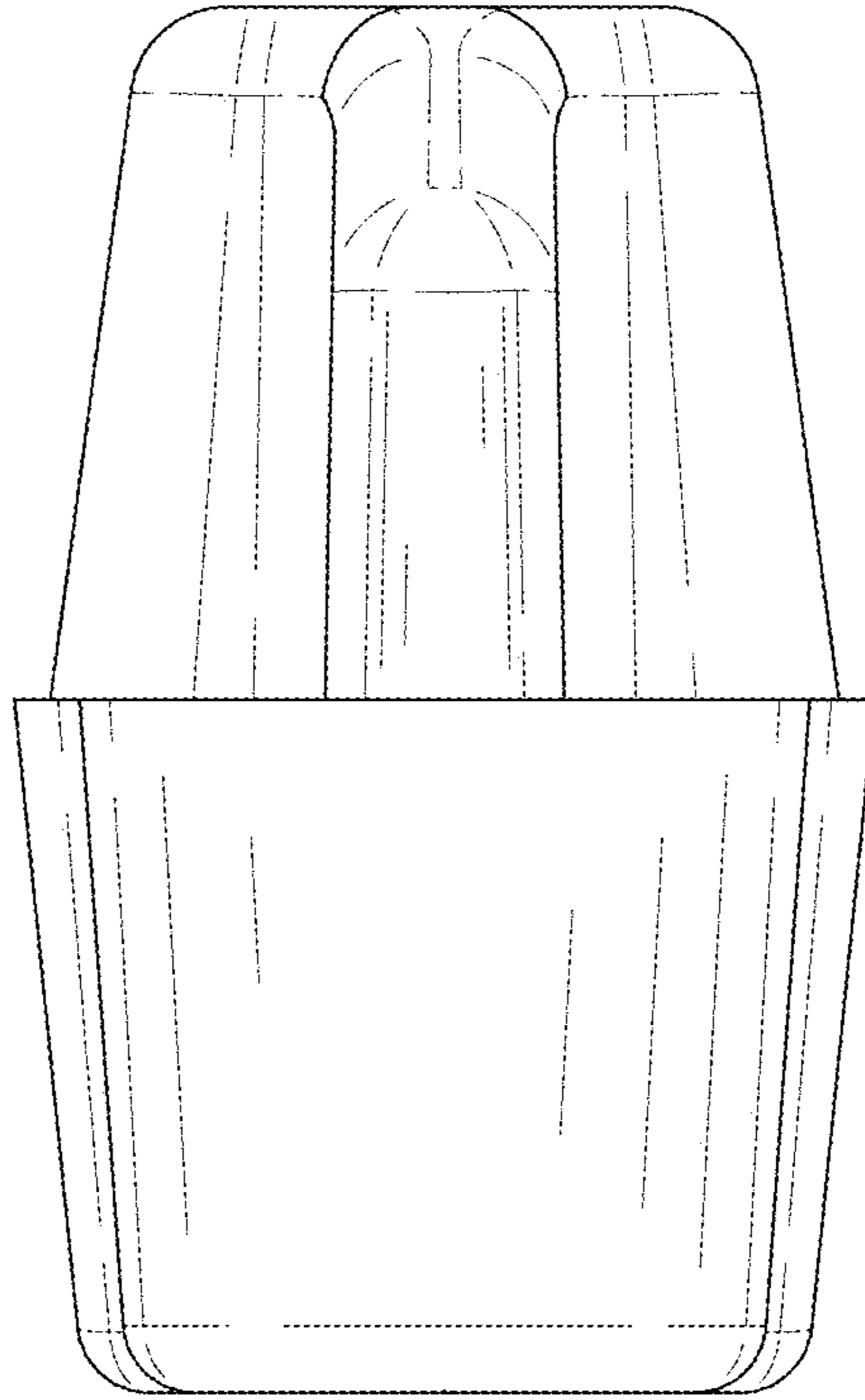


FIG. 29

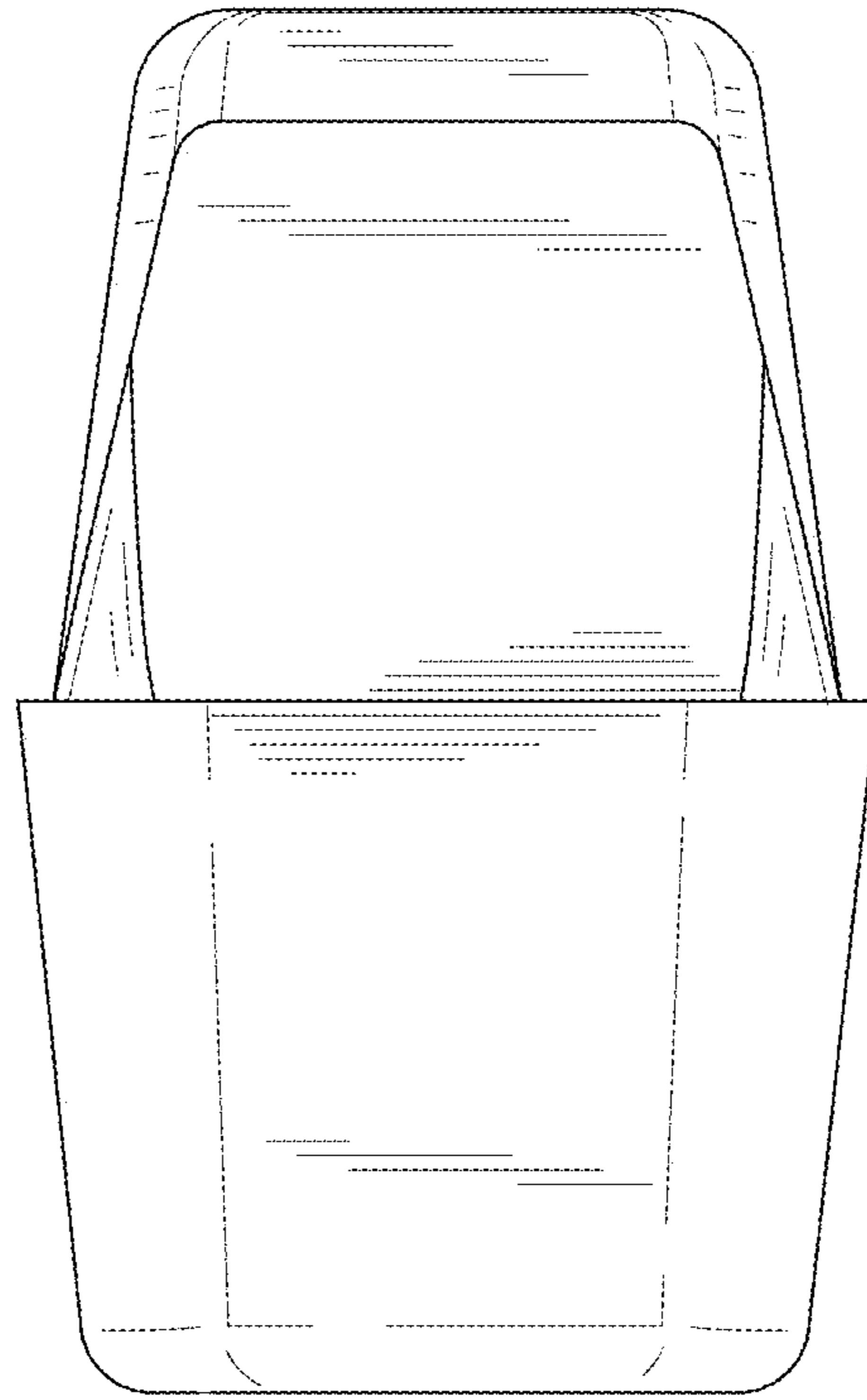


FIG. 30

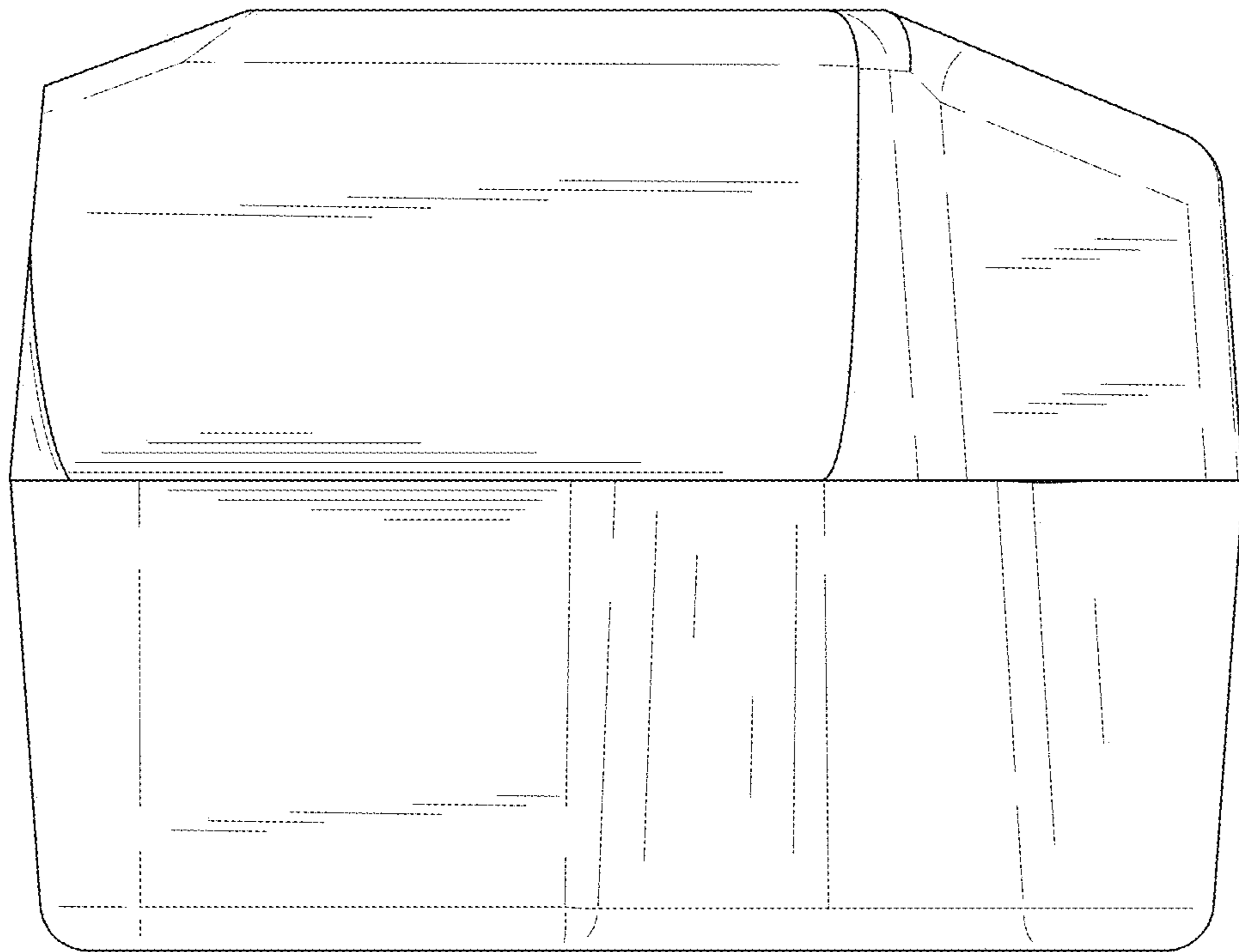


FIG. 31

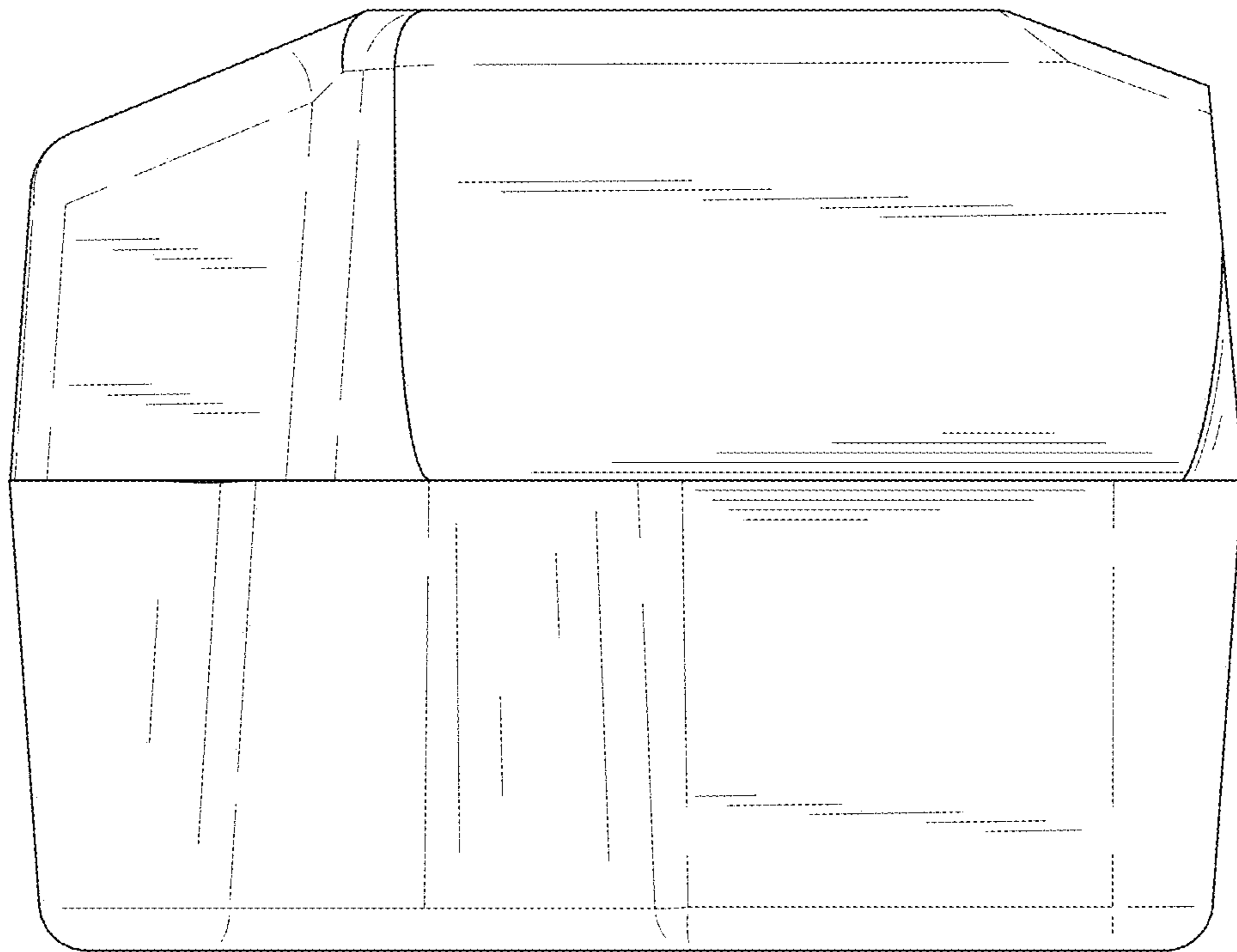


FIG. 32

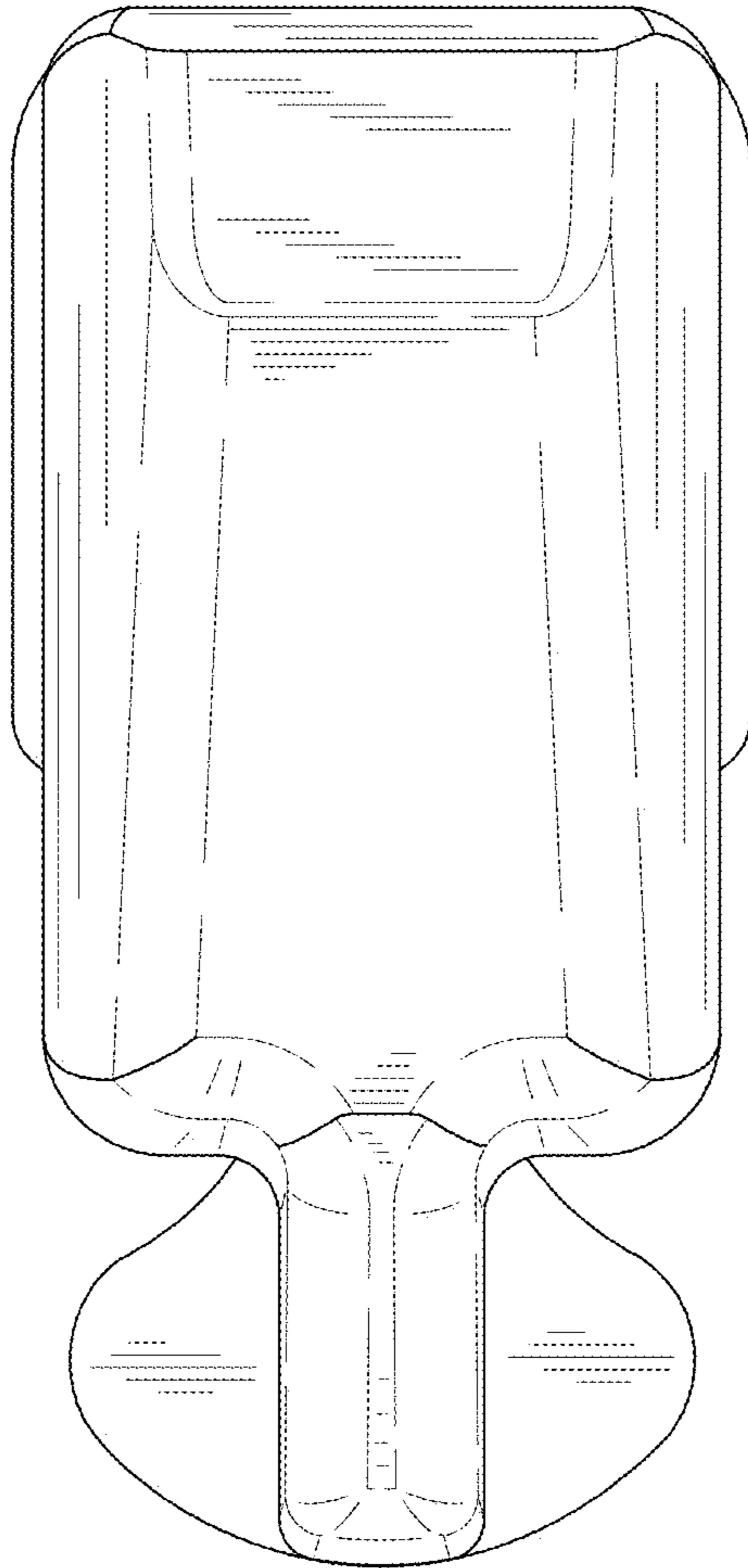


FIG. 33

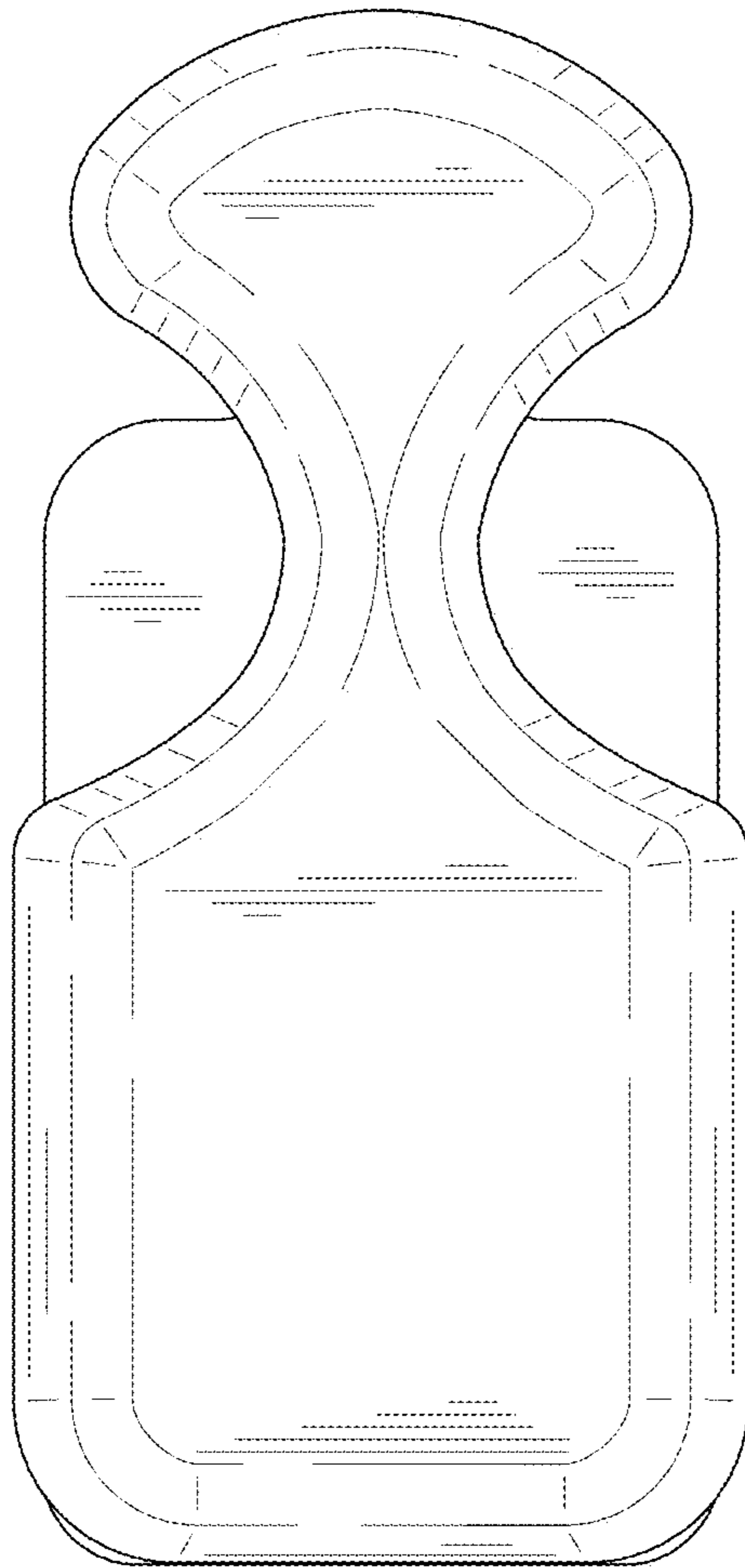


FIG. 34

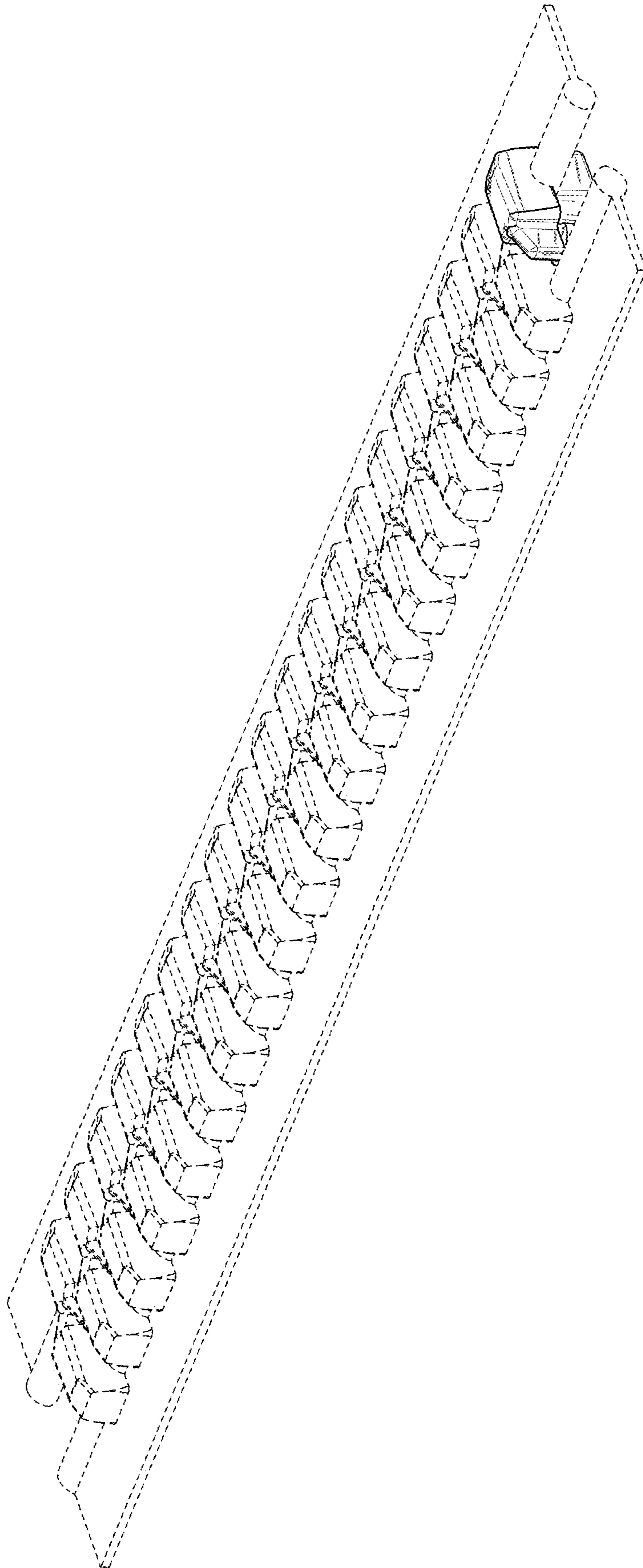


FIG. 35

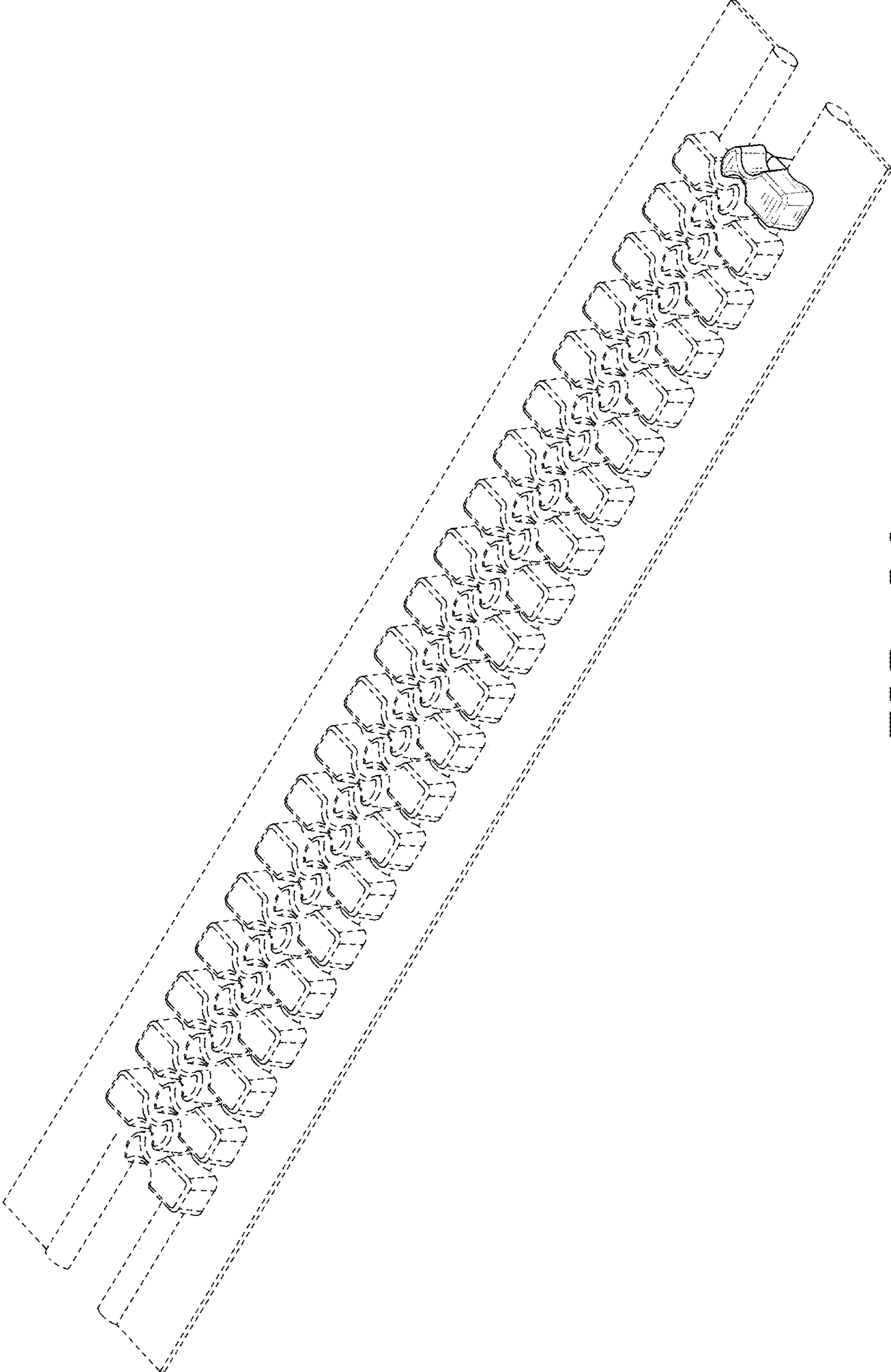


FIG. 36