



US00D979885S

(12) **United States Design Patent**
O'Neill et al.

(10) **Patent No.:** **US D979,885 S**
(45) **Date of Patent:** **** Mar. 7, 2023**

(54) **GARMENT HAVING AN OPENING**

(71) Applicant: **PATCHTEN, INC.**, Plattsburgh, NY (US)

(72) Inventors: **Brynn Fessette O'Neill**, Plattsburgh, NY (US); **Amie Hirata**, Brooklyn, NY (US); **Gregory Scott Angel**, Brooklyn, NY (US)

(73) Assignee: **PATCHTEN, INC.**, Plattsburgh, NY (US)

(**) Term: **15 Years**

(21) Appl. No.: **29/750,002**

(22) Filed: **Sep. 10, 2020**

(51) **LOC (14) Cl.** **02-02**

(52) **U.S. Cl.**
USPC **D2/847**

(58) **Field of Classification Search**
USPC D2/720, 717, 840, 857, 828, 847
CPC A41D 27/20; A41D 13/1245
See application file for complete search history.

(56) **References Cited**

U.S. PATENT DOCUMENTS

1,489,046	A *	4/1924	Thompson	A41B 9/08
					2/269
4,004,294	A *	1/1977	Pinch	A41D 1/215
					2/104
5,142,702	A *	9/1992	Piloian	A41D 13/1245
					2/102

(Continued)

FOREIGN PATENT DOCUMENTS

CN 110959936 * 4/2020

OTHER PUBLICATIONS

Chest Access Shirt—POLO posted to medcitynews.com. Available date: Oct. 26, 2017 [site visited Aug. 15, 2022] Available: <https://

medcitynews.com/2017/10/startup-produces-picc-line-port-friendly-activewear-wins-engage-pitch-perfect-contest/chest-access-shirt-polo/> (Year: 2017).*

Primary Examiner — Kevin K Rudzinski
(74) *Attorney, Agent, or Firm* — Gottlieb, Rackman & Reisman, P.C.

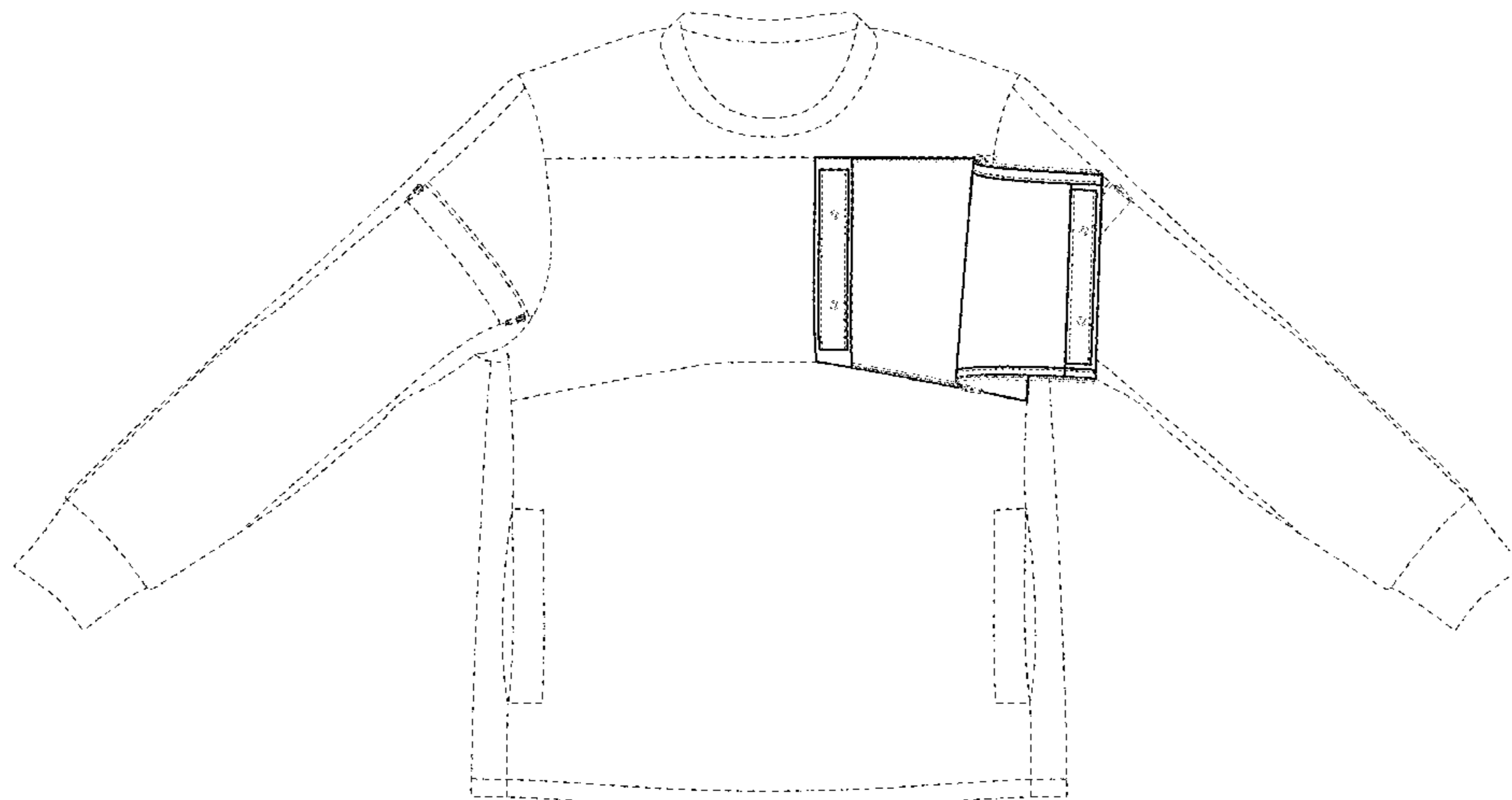
(57) **CLAIM**

The ornamental design for a garment having an opening, as shown and described.

DESCRIPTION

FIGS. 1-4 show a first embodiment of the opening for a garment of our design;
FIG. 1 is a perspective view of an entire garment, showing the opening being claimed with the opening being open of the embodiment thereof;
FIG. 2 is a perspective view of an entire garment, showing the opening being claimed with the opening being closed of the embodiment thereof;
FIG. 3 is a front elevational view with the opening being open of the embodiment thereof;
FIG. 4 is a front elevational view with the opening being closed of the embodiment thereof;
FIGS. 5-8 show a second embodiment of the opening for a garment of our design;
FIG. 5 is a perspective view of an entire garment, showing the opening being claimed with the opening being open of the embodiment thereof;
FIG. 6 is a perspective view of an entire garment, showing the opening being claimed with the opening being closed of the embodiment thereof;
FIG. 7 is a front elevational view with the opening being open of the embodiment thereof; and,
FIG. 8 is a front elevational view with the opening being closed of the embodiment thereof.
The small broken lines illustrating the zippers and stitching and the large broken lines illustrating the remainder of the garment form no part of the claimed design.

1 Claim, 6 Drawing Sheets



(56)

References Cited

U.S. PATENT DOCUMENTS

5,507,042 A * 4/1996 van der Slessen A41D 27/28
2/108
5,704,064 A * 1/1998 van der Slessen A41D 27/28
2/108
6,070,274 A * 6/2000 van der Slessen
A41D 13/0156
2/DIG. 1
6,085,353 A * 7/2000 van der Slessen A41D 27/20
2/93
6,647,552 B1 * 11/2003 Hogan A41D 13/1245
2/114
7,364,491 B2 * 4/2008 Updyke A41D 27/205
450/36
D689,669 S * 9/2013 Williams D2/857
8,607,366 B2 * 12/2013 Austin A41D 13/1272
604/174
8,690,835 B1 * 4/2014 Parris A41D 13/1236
604/179
D785,907 S * 5/2017 Auth D2/745
D806,991 S * 1/2018 Razdan D2/857
10,750,801 B2 * 8/2020 Bentley A61M 25/02
11,019,860 B1 * 6/2021 Pierce A41D 13/1236
D925,868 S * 7/2021 Woluschuk D2/857
D945,747 S * 3/2022 Wongus D2/840
2007/0157362 A1 * 7/2007 Rogers A41D 13/1263
2/114
2015/0101102 A1 * 4/2015 Theodossiou A41D 13/1245
2/114
2015/0374048 A1 * 12/2015 Theodossiou A41D 13/1245
2/114

* cited by examiner

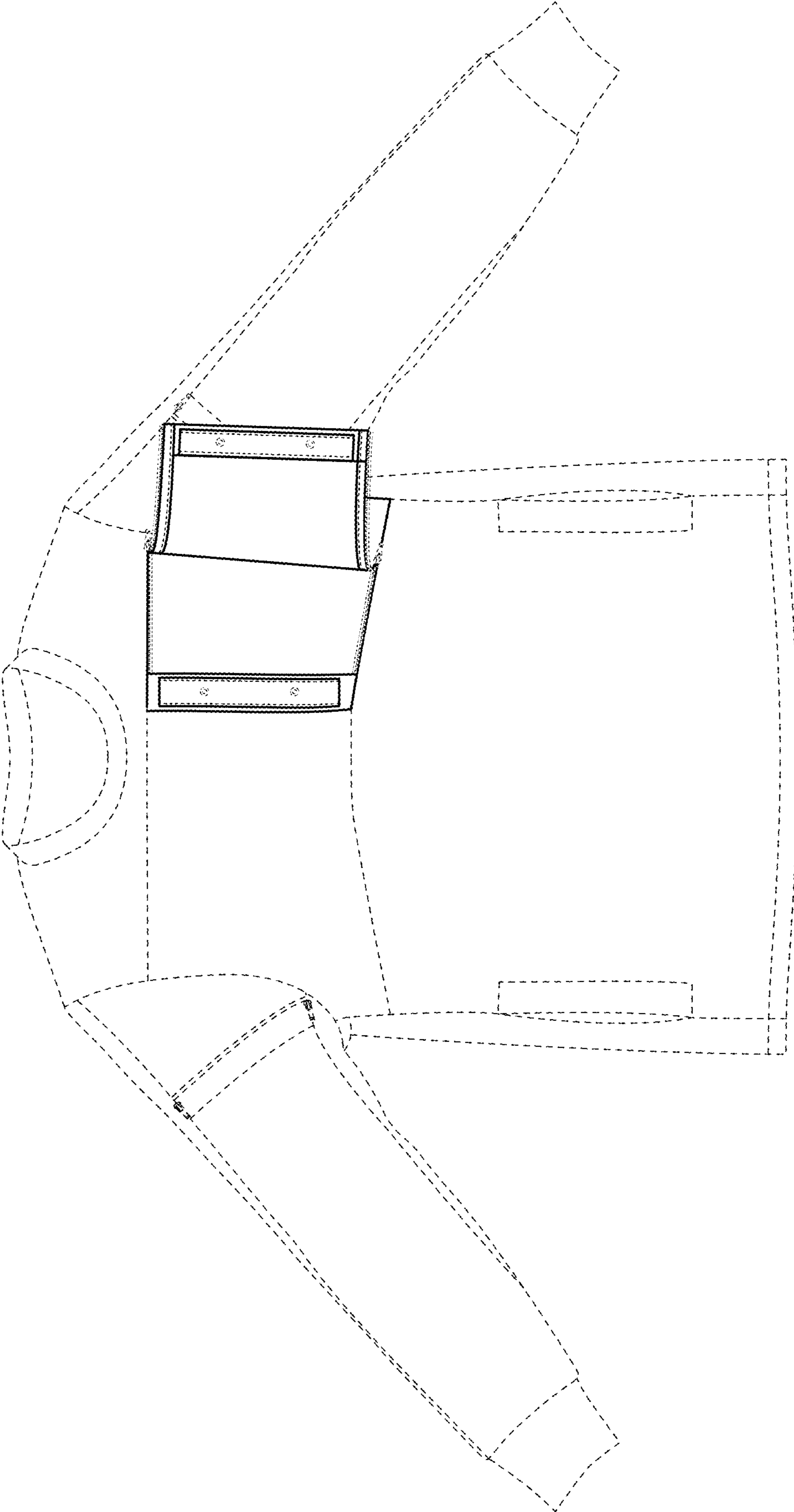


FIG. 1

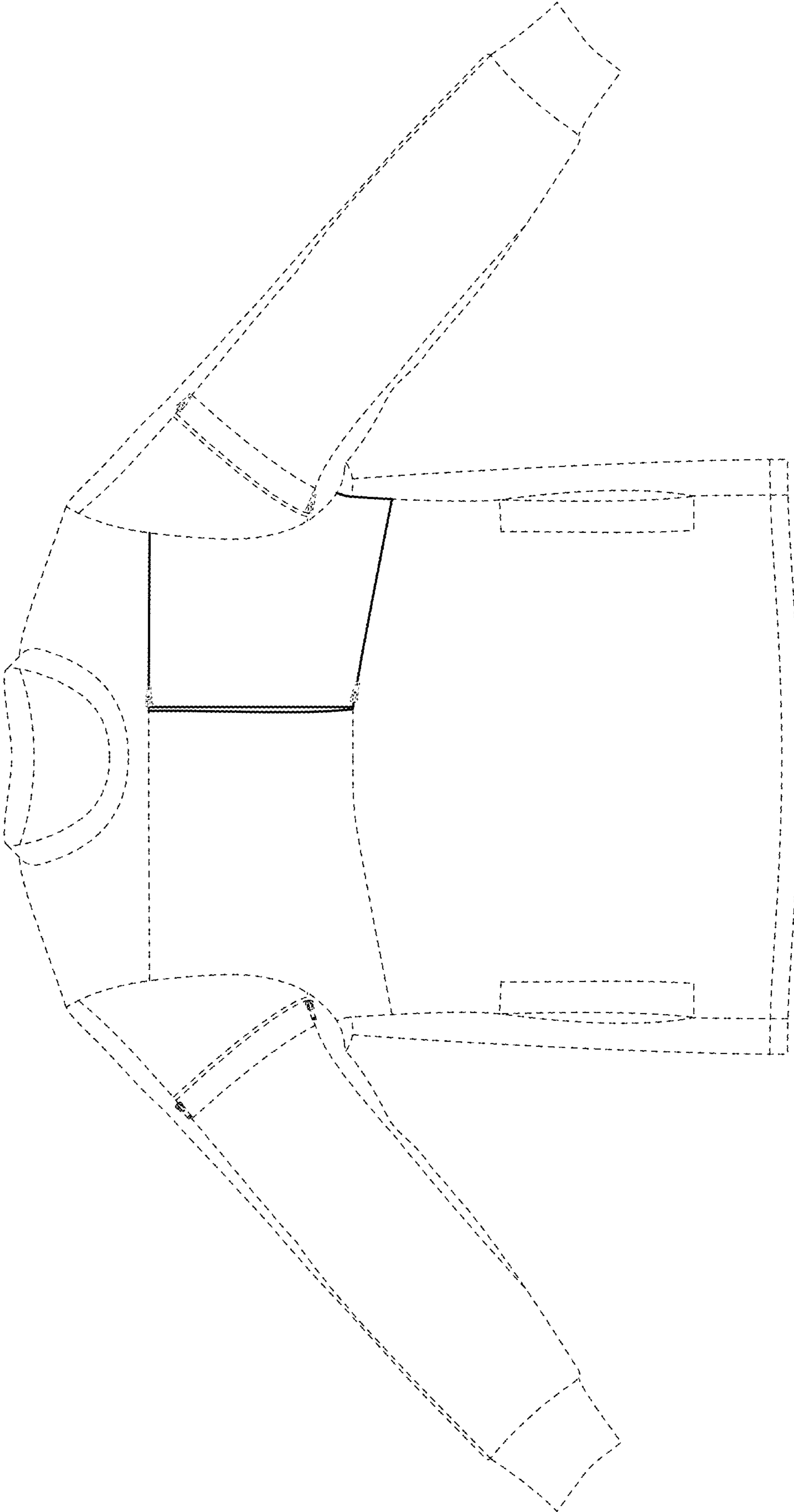


FIG. 2

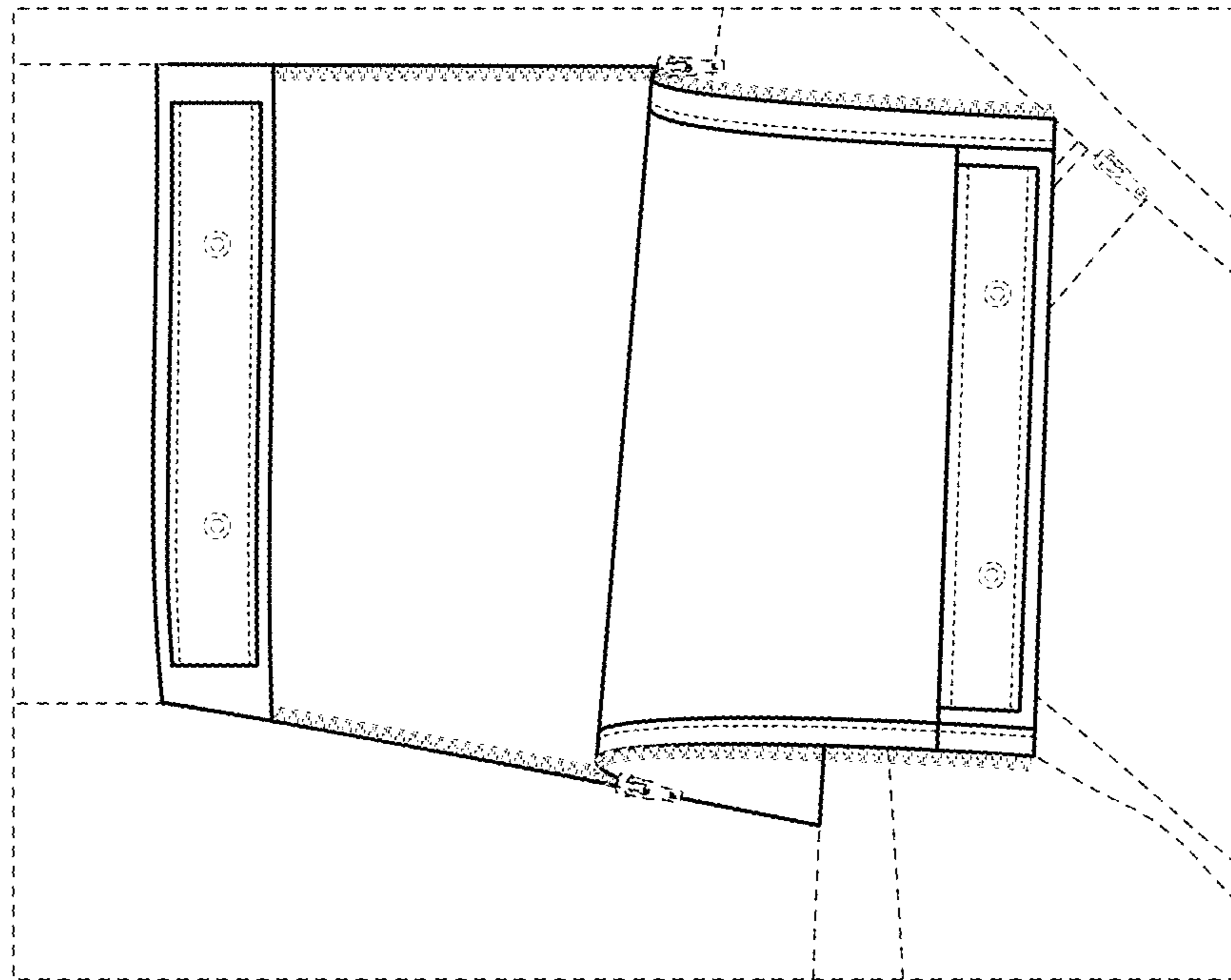


FIG. 3

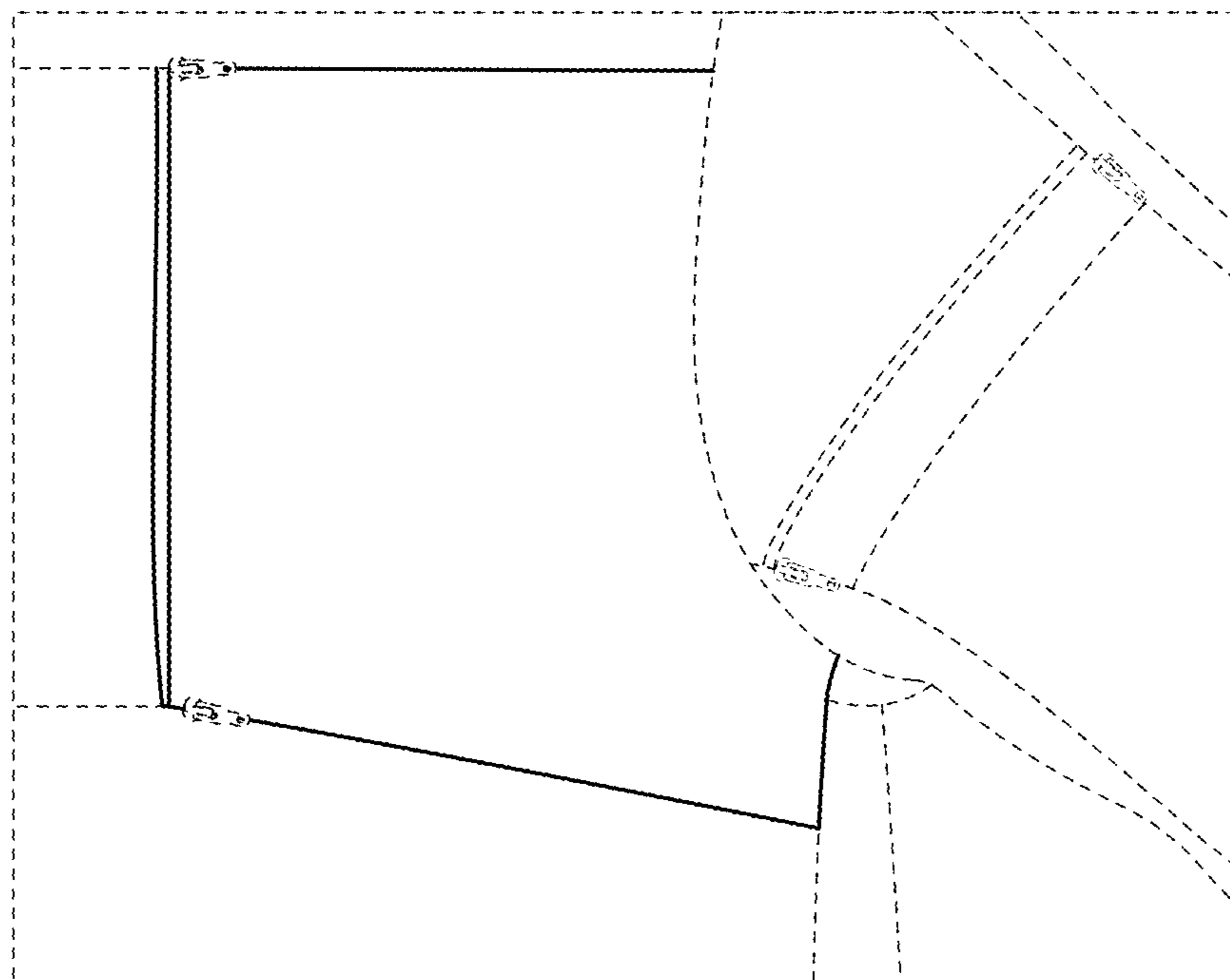


FIG. 4

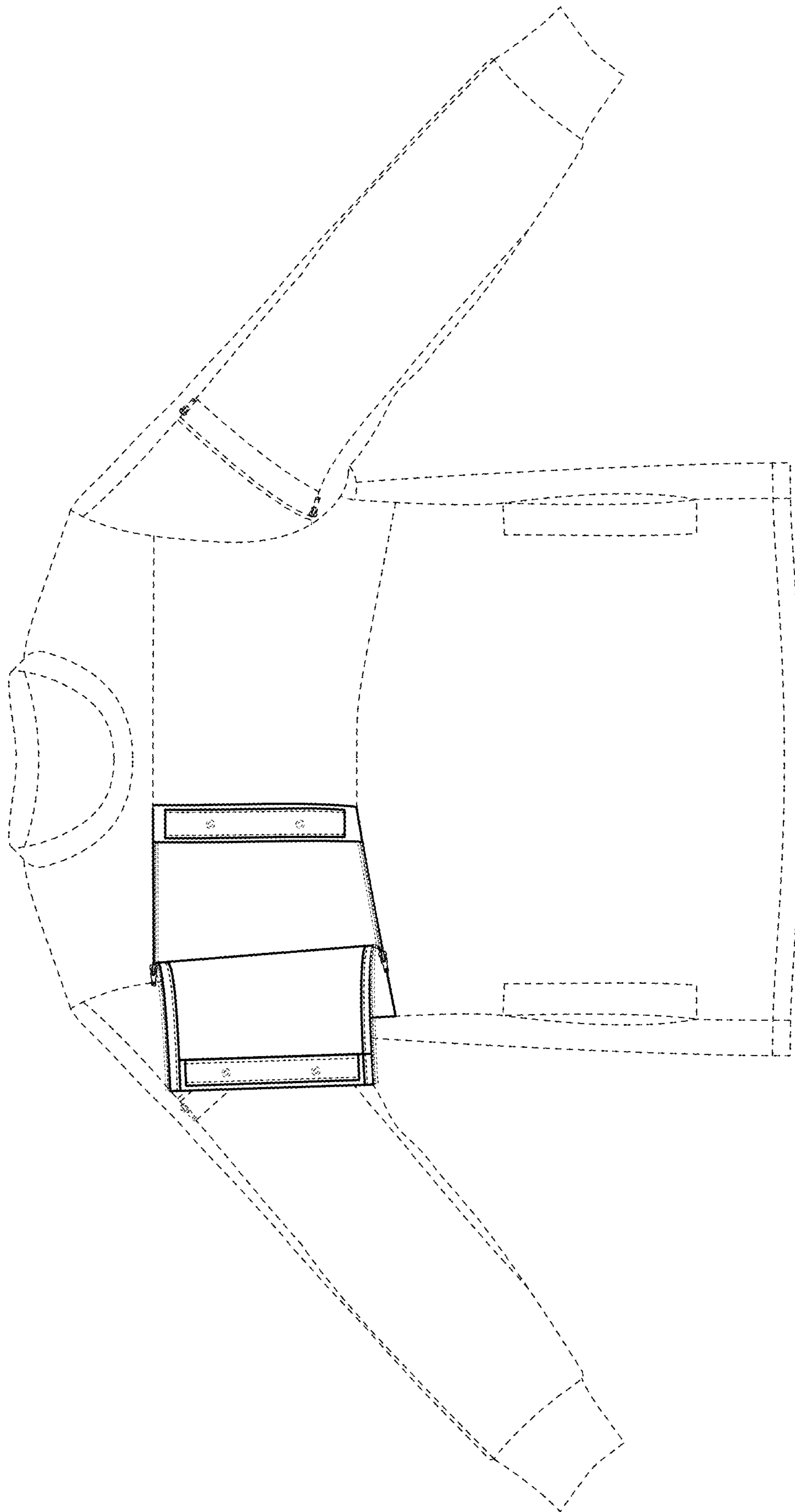


FIG. 5

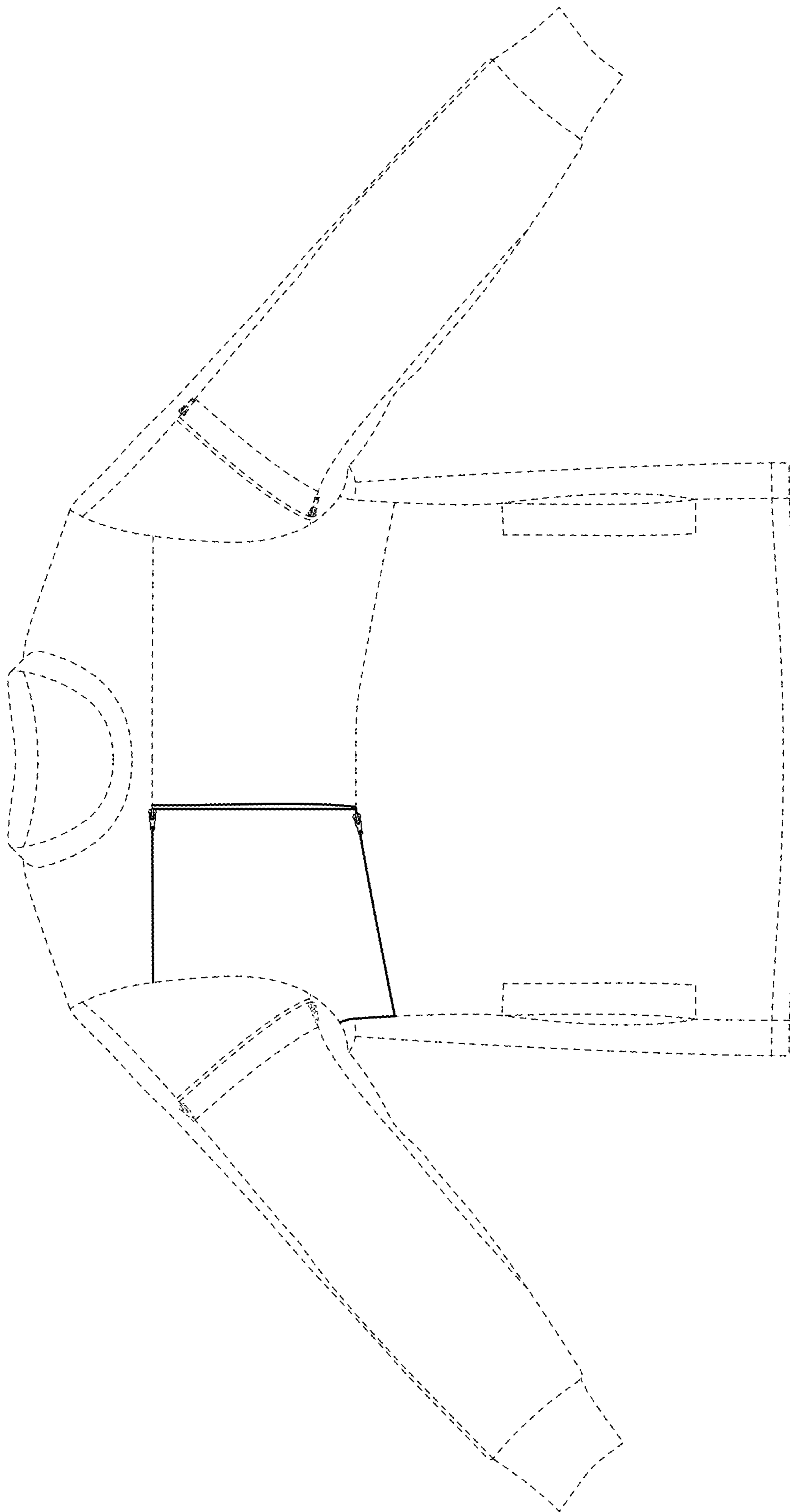


FIG. 6

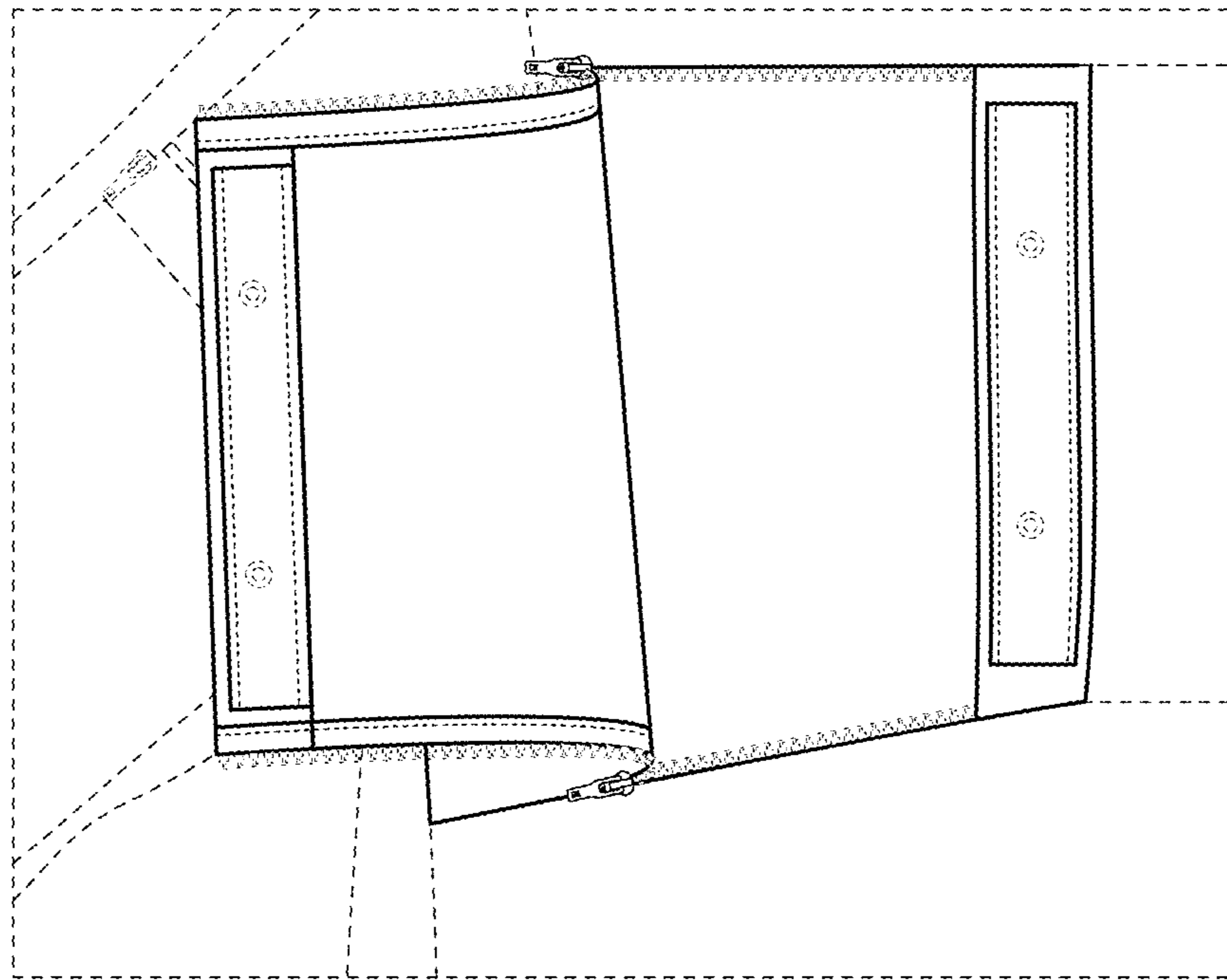


FIG. 7

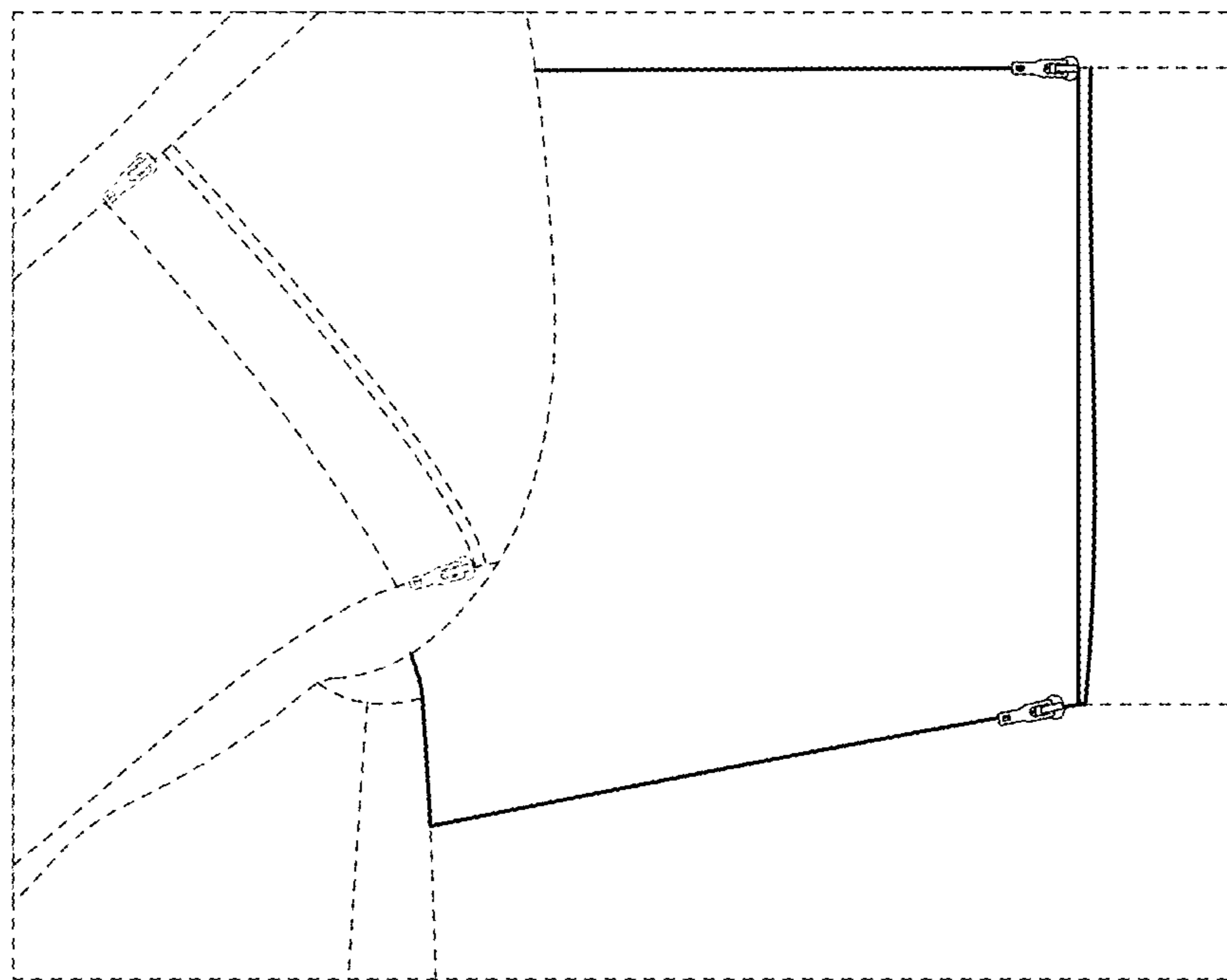


FIG. 8