



US00D979883S

(12) **United States Design Patent**
Zotta Baylo

(10) **Patent No.:** **US D979,883 S**

(45) **Date of Patent:** **** Mar. 7, 2023**

(54) **BOXER SHORTS**

(71) Applicant: **GB M&D s.r.o.**, Prague (CZ)

(72) Inventor: **Gianni Zotta Baylo**, Prague (CZ)

(**) Term: **15 Years**

(21) Appl. No.: **29/689,187**

(22) Filed: **Apr. 28, 2019**

(51) **LOC (14) Cl.** **02-01**

(52) **U.S. Cl.**
USPC **D2/712**

(58) **Field of Classification Search**
USPC D2/712-714, 716, 738
CPC A41D 7/001; A41D 7/005; A41B 9/00;
A41B 9/02
See application file for complete search history.

(56) **References Cited**

U.S. PATENT DOCUMENTS

2,565,082	A *	8/1951	Monroe	A61F 5/03 602/67
D510,791	S *	10/2005	Nathan-Kohan	D2/712
D566,926	S *	4/2008	Kang	D2/738
D620,227	S *	7/2010	Spring	D2/712
D704,921	S *	5/2014	Tsou	D2/712
D711,070	S *	8/2014	Lecigne	D2/712
D735,444	S *	8/2015	Harris	D2/712
D820,558	S *	6/2018	Warman	D2/712

D946,237	S *	3/2022	Calamia	D2/712
D947,494	S *	4/2022	Aparicio	D2/712
2010/0058517	A1 *	3/2010	Perolari	A41B 9/02 2/404
2012/0220976	A1 *	8/2012	Morse	A61F 13/496 604/385.15
2022/0079250	A1 *	3/2022	Calamia	A41B 9/001

* cited by examiner

Primary Examiner — Kevin K Rudzinski

Assistant Examiner — J. Thorn, Sr.

(74) *Attorney, Agent, or Firm* — Patshegen IP; Moshe Pinchas

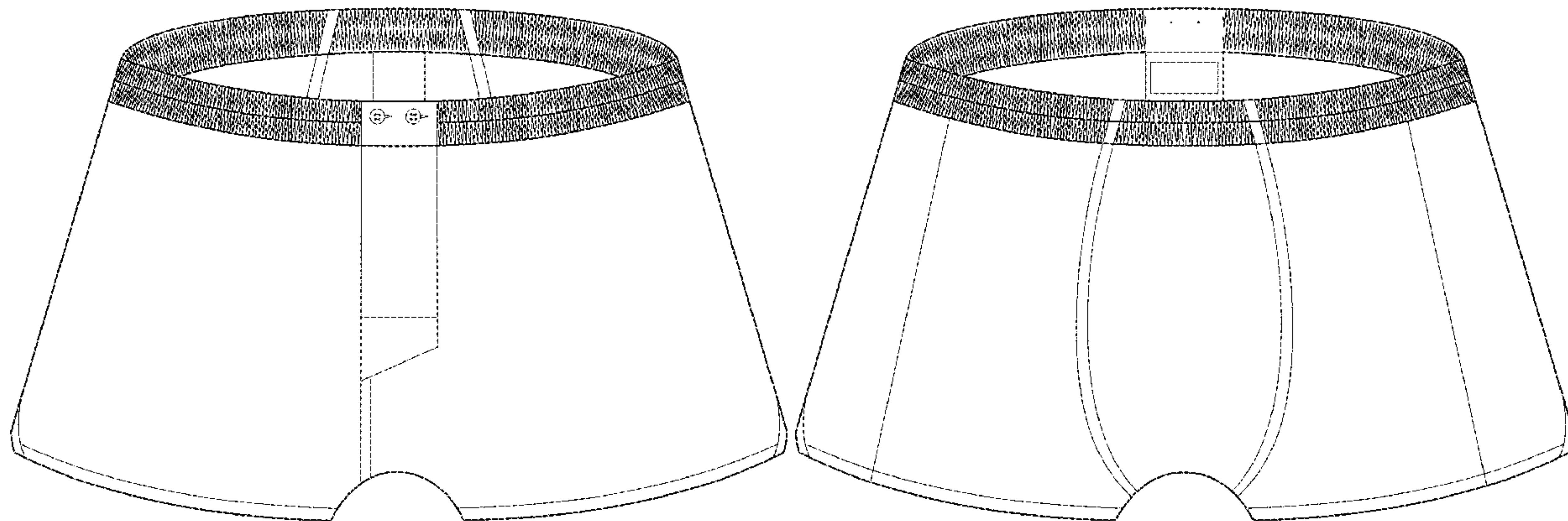
(57) **CLAIM**

The ornamental design for boxer shorts, as shown and described.

DESCRIPTION

FIG. 1 is the front view of the boxer shorts design; FIG. 2 is the back view of the boxer shorts design of FIG. 1; FIG. 3 is the left side view of the boxer shorts design of FIG. 1; FIG. 4 is the right-side view of the boxer shorts design of FIG. 1; FIG. 5 is the top view of the boxer shorts design of FIG. 1; and, FIG. 6 is the bottom view of the boxer shorts design of FIG. 1.

1 Claim, 6 Drawing Sheets



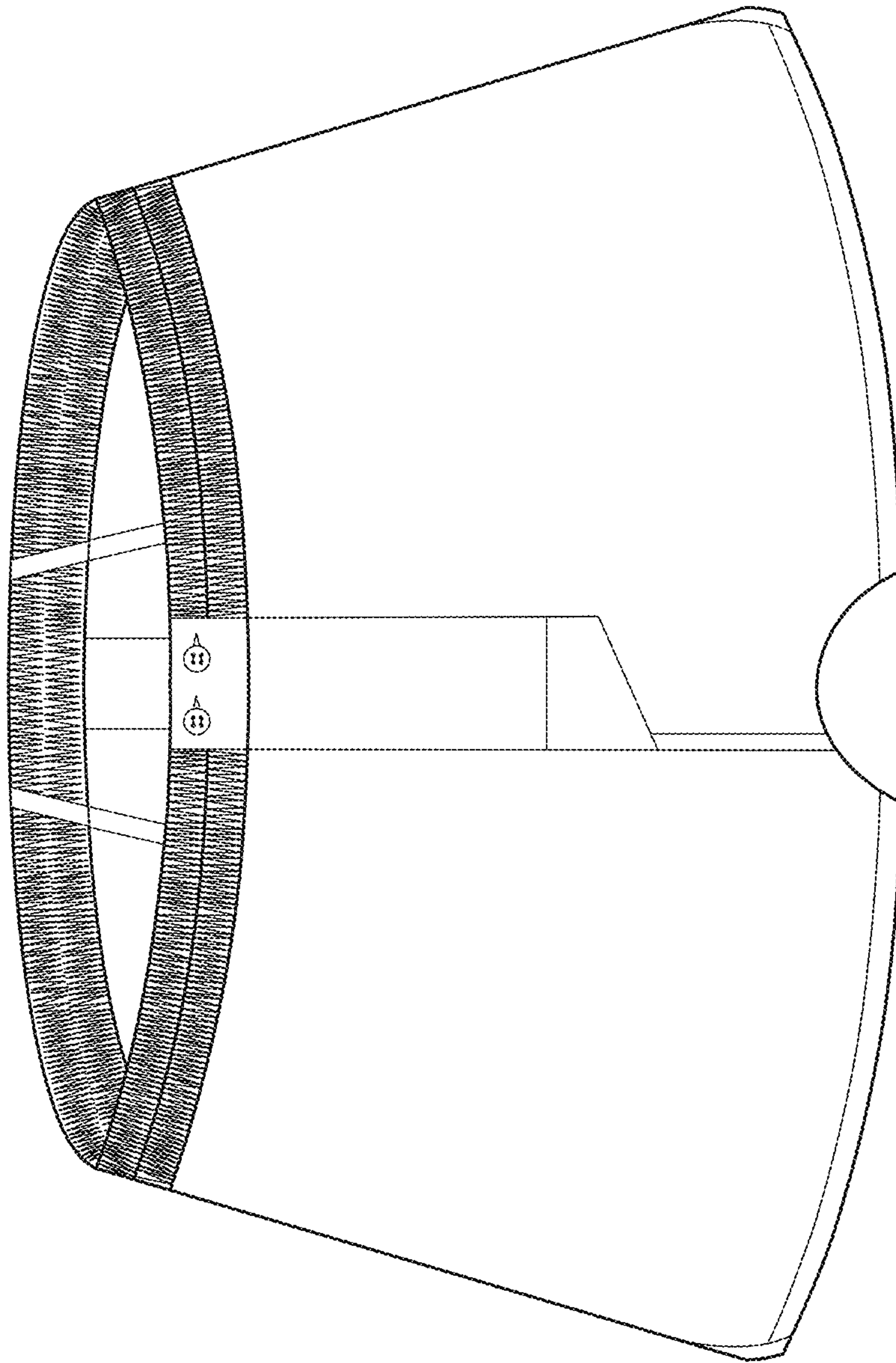


Fig. 1

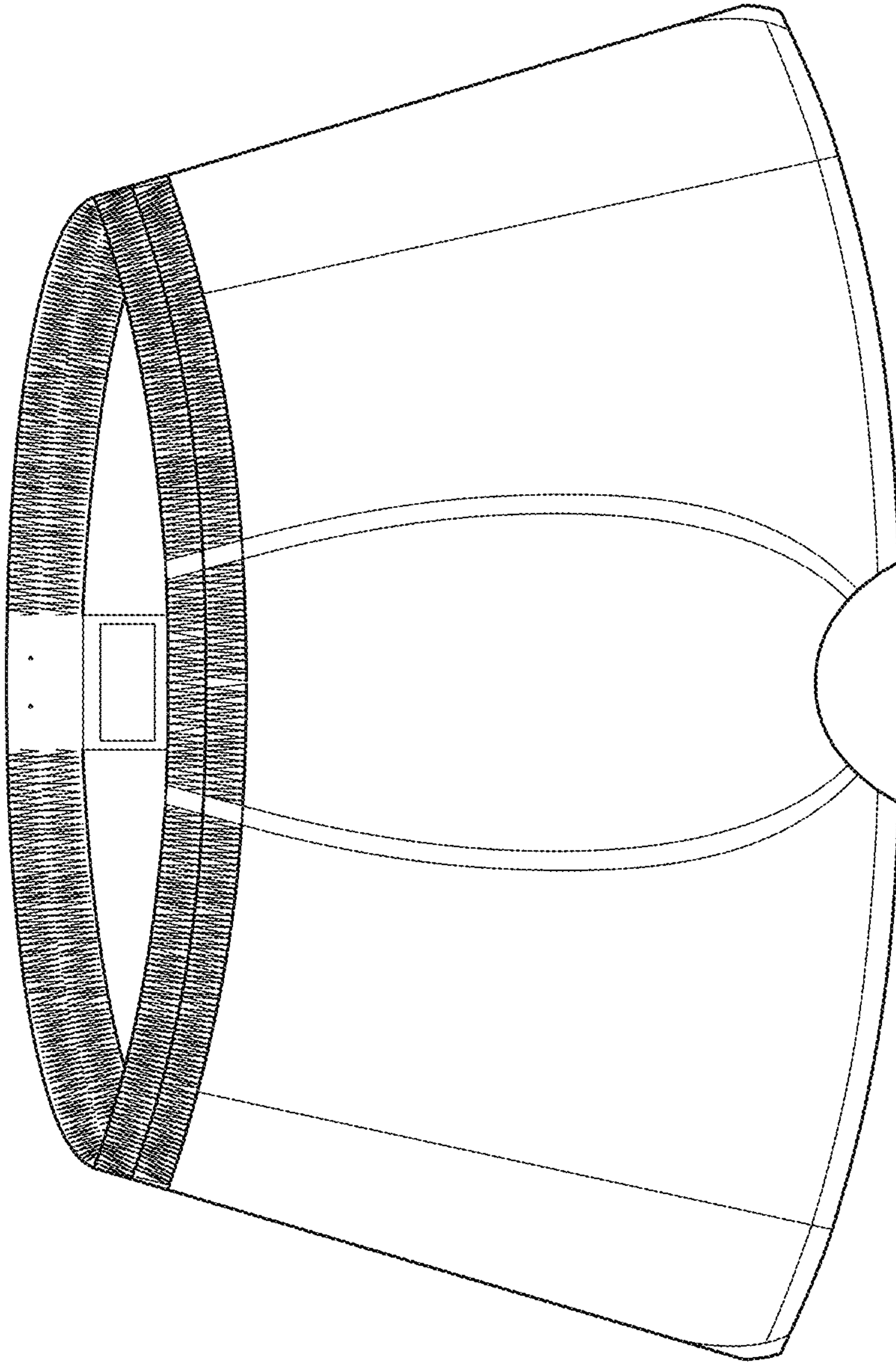


Fig. 2

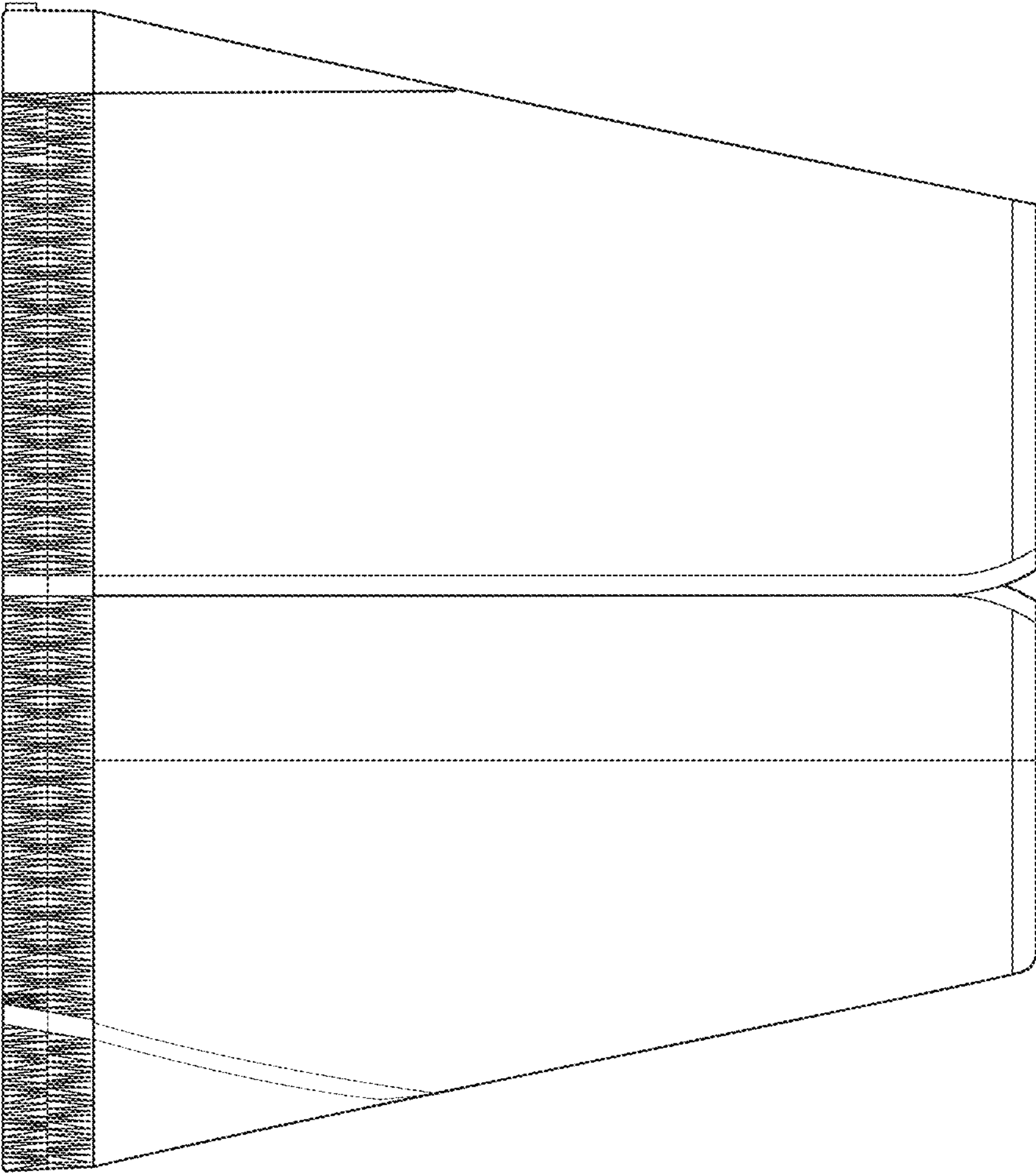


Fig. 3

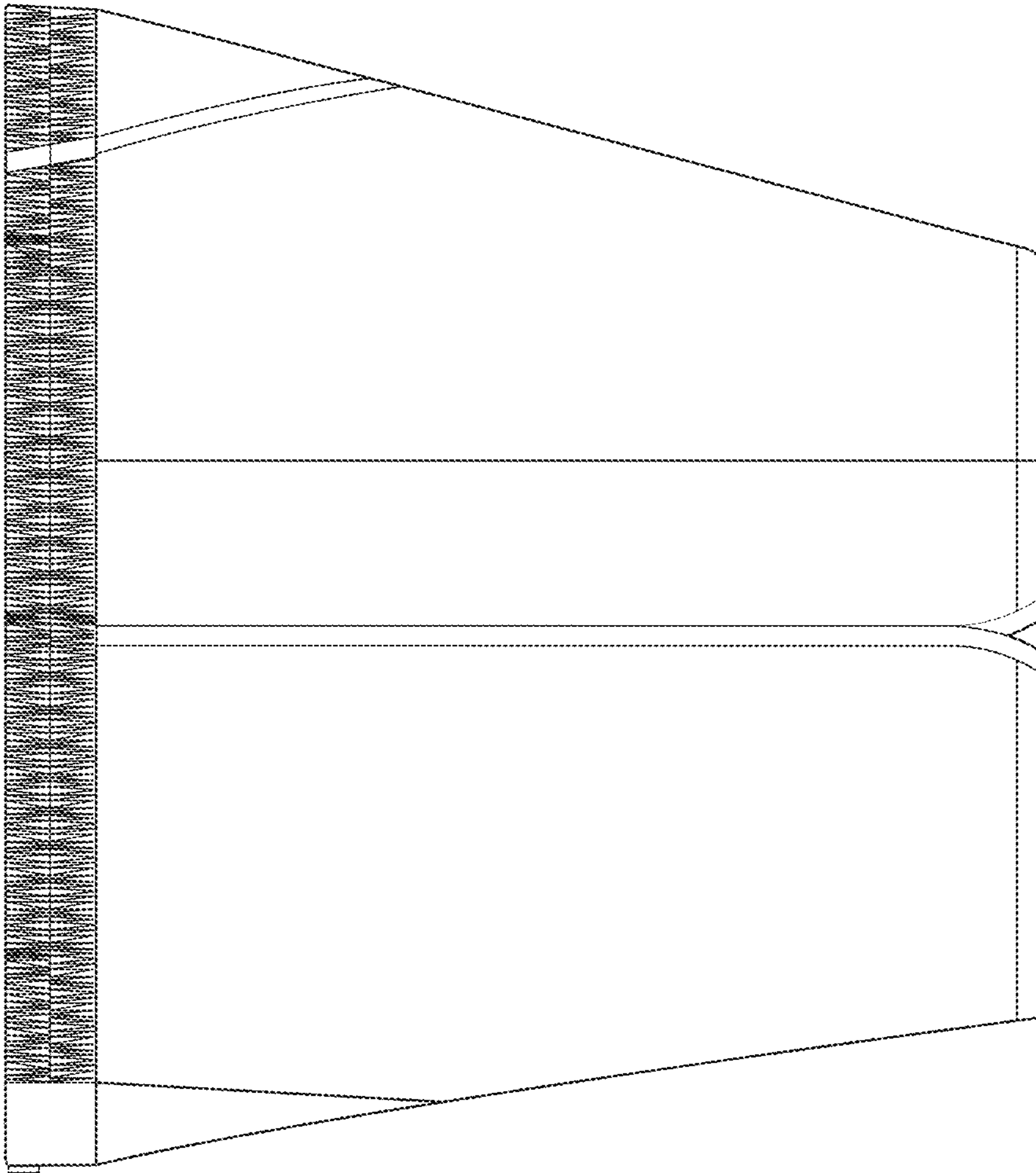


Fig. 4

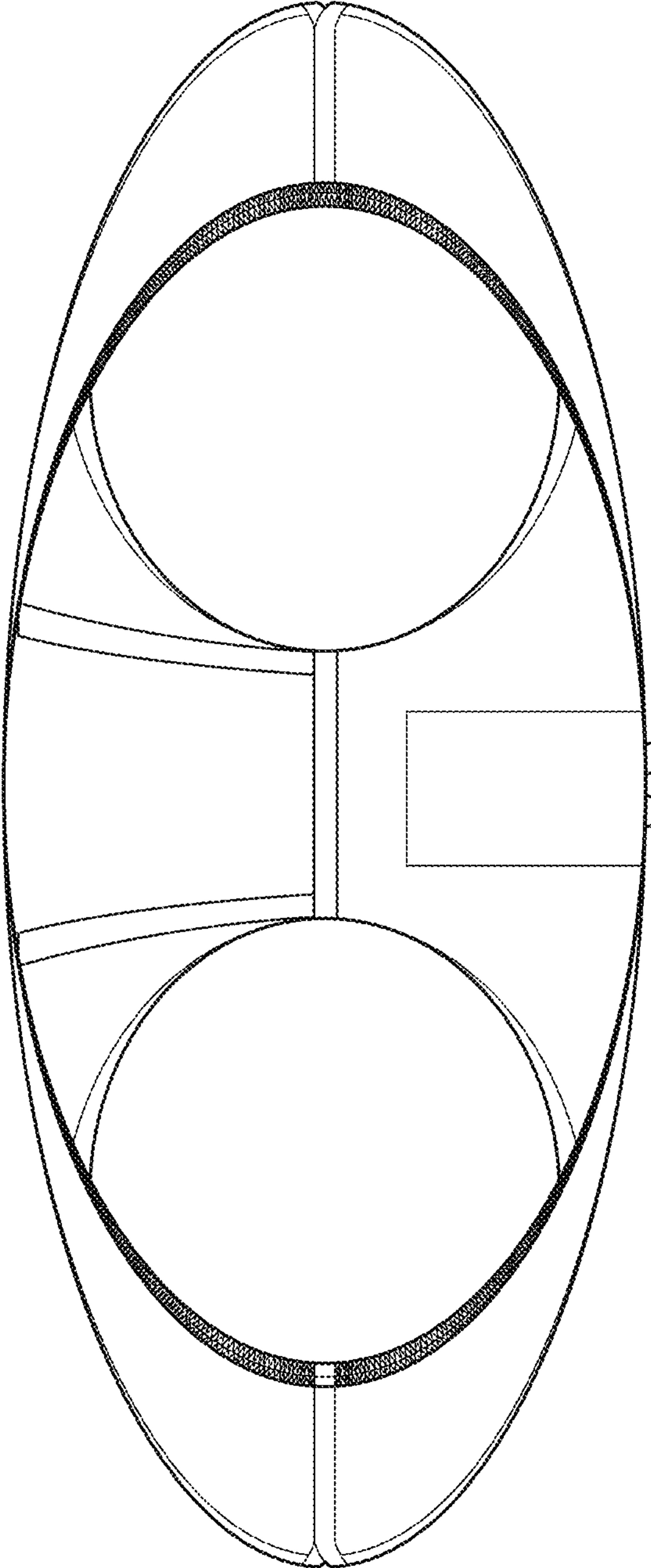


Fig. 5

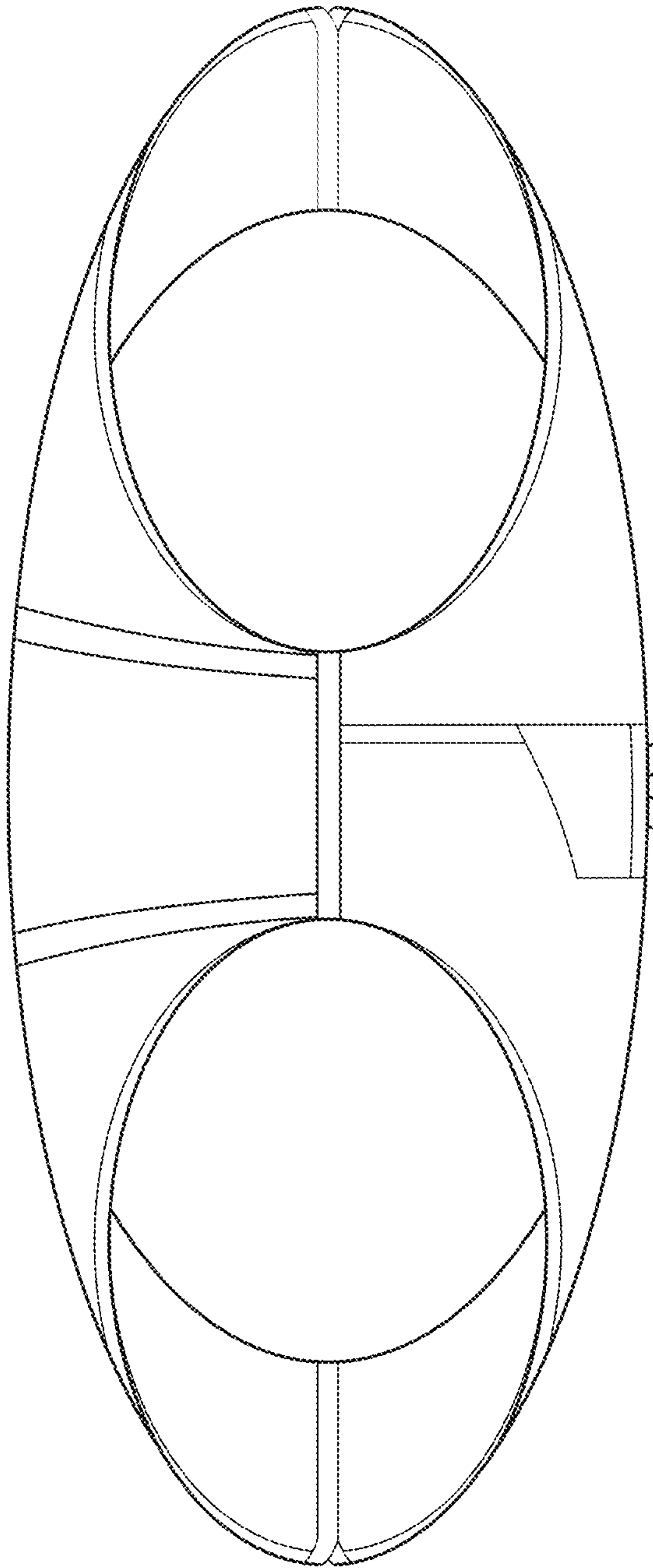


Fig. 6