



US00D979880S

(12) **United States Design Patent**
Wall

(10) **Patent No.:** **US D979,880 S**
(45) **Date of Patent:** **** Mar. 7, 2023**

- (54) **DRIED CHEESE PET CHEW**
- (71) Applicant: **Marcoot Jersey Creamery LLC**,
Greenville, IL (US)
- (72) Inventor: **Audrea Wall**, Sorento, IL (US)
- (73) Assignee: **Marcoot Jersey Creamery LLC**,
Greenville, IL (US)
- (**) Term: **15 Years**
- (21) Appl. No.: **29/758,450**
- (22) Filed: **Nov. 16, 2020**
- (51) **LOC (14) Cl.** **01-01**
- (52) **U.S. Cl.**
USPC **D1/120; D1/100; D1/130**
- (58) **Field of Classification Search**
USPC D1/100-130, 199; D7/504, 509, 510,
D7/523, 524, 555, 566, 568, 584-587,
D7/602, 672, 300.1; D21/386, 672, 803,
D21/821; D19/91; 426/92, 94, 95, 99,
426/101, 138-139, 143, 279, 282, 283,
426/391, 514; D11/146, 151, 154, 78,
D11/131, 141, 152; D14/480.5, 484.1;
D25/119, 121, 126; D30/160; 220/566;
D34/28, 29
CPC D21D 13/0025; A21D 13/0029; A21D
13/0074; A21D 13/0022; A21D 13/0006;
A23L 1/1641; A23L 1/005
See application file for complete search history.

- 4,352,714 A * 10/1982 Patterson H01M 50/186
216/33
 - 4,501,050 A * 2/1985 Fountoulakis A44C 7/003
24/705
 - 5,004,443 A * 4/1991 Su A63H 3/38
446/392
 - 5,105,262 A * 4/1992 Grider G01L 19/142
174/520
 - 5,179,979 A * 1/1993 Zollinger D03D 47/277
139/449
 - D338,556 S * 8/1993 McNamara D12/419
- (Continued)

OTHER PUBLICATIONS

“Busy Buddy Ultra Woofer” Pet Safe, image retrieved Sep. 2020.

Primary Examiner — Katie Jane Stofko

(74) *Attorney, Agent, or Firm* — MacMillan, Sobanski & Todd, LLC

(57) **CLAIM**

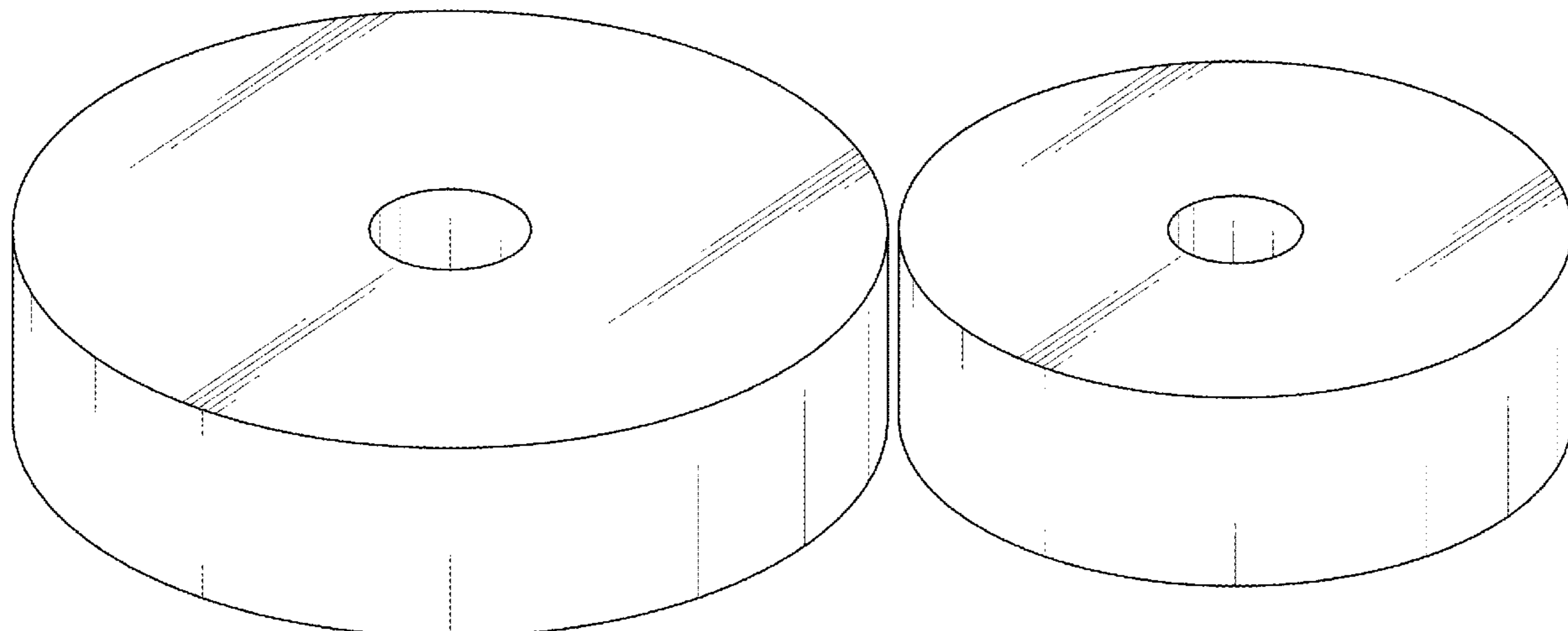
The ornamental design for a dried cheese pet chew, as shown.

DESCRIPTION

FIG. 1 is a perspective view of a first embodiment of a dried cheese pet chew;
 FIG. 2 is a right side elevation view thereof, the left side elevation view, the front elevation view and back elevation view being identical thereto;
 FIG. 3 is a top plan view thereof, the bottom plan view being identical thereto;
 FIG. 4 is a perspective view of a second embodiment of a dried cheese pet chew;
 FIG. 5 is a right side elevation view thereof, the left side elevation view, the front elevation view and back elevation view being identical thereto; and,
 FIG. 6 is a top plan view thereof, the bottom plan view being identical thereto.

1 Claim, 4 Drawing Sheets

- (56) **References Cited**
U.S. PATENT DOCUMENTS
236,383 A * 1/1881 Waldeck B27N 5/00
264/112
3,447,712 A * 6/1969 Galasso B01L 3/50825
220/237
3,507,979 A * 4/1970 Erkan H01B 17/14
174/176
3,705,962 A * 12/1972 Banister H02G 11/02
191/12.4



(56)

References Cited

U.S. PATENT DOCUMENTS

5,375,433 A * 12/1994 Skalet A44C 7/003
63/12

5,795,613 A 8/1998 Scharfmann et al.

6,013,374 A * 1/2000 Watanabe H01M 50/172
428/424.8

D475,504 S 6/2003 Hodgdon

D506,301 S 6/2005 Tepper et al.

D704,916 S * 5/2014 Toschi D1/102

D718,501 S * 11/2014 Byrne D30/160

D791,426 S * 7/2017 Petersen D1/127

D874,086 S 2/2020 Shrestha

2002/0054976 A1 * 5/2002 Nakamura C03B 11/088
428/66.6

2005/0031758 A1 2/2005 Scharfman

2006/0048718 A1 * 3/2006 Mann A01K 15/026
119/710

2009/0004338 A1 * 1/2009 Anderson A01K 15/026
426/92

2016/0113241 A1 4/2016 Valle

2016/0143320 A1 * 5/2016 Mahe A23K 40/25
426/2

2018/0027837 A1 2/2018 Merrill et al.

2019/0261642 A1 8/2019 Lotito

2019/0269099 A1 * 9/2019 Karras A01K 15/025

* cited by examiner

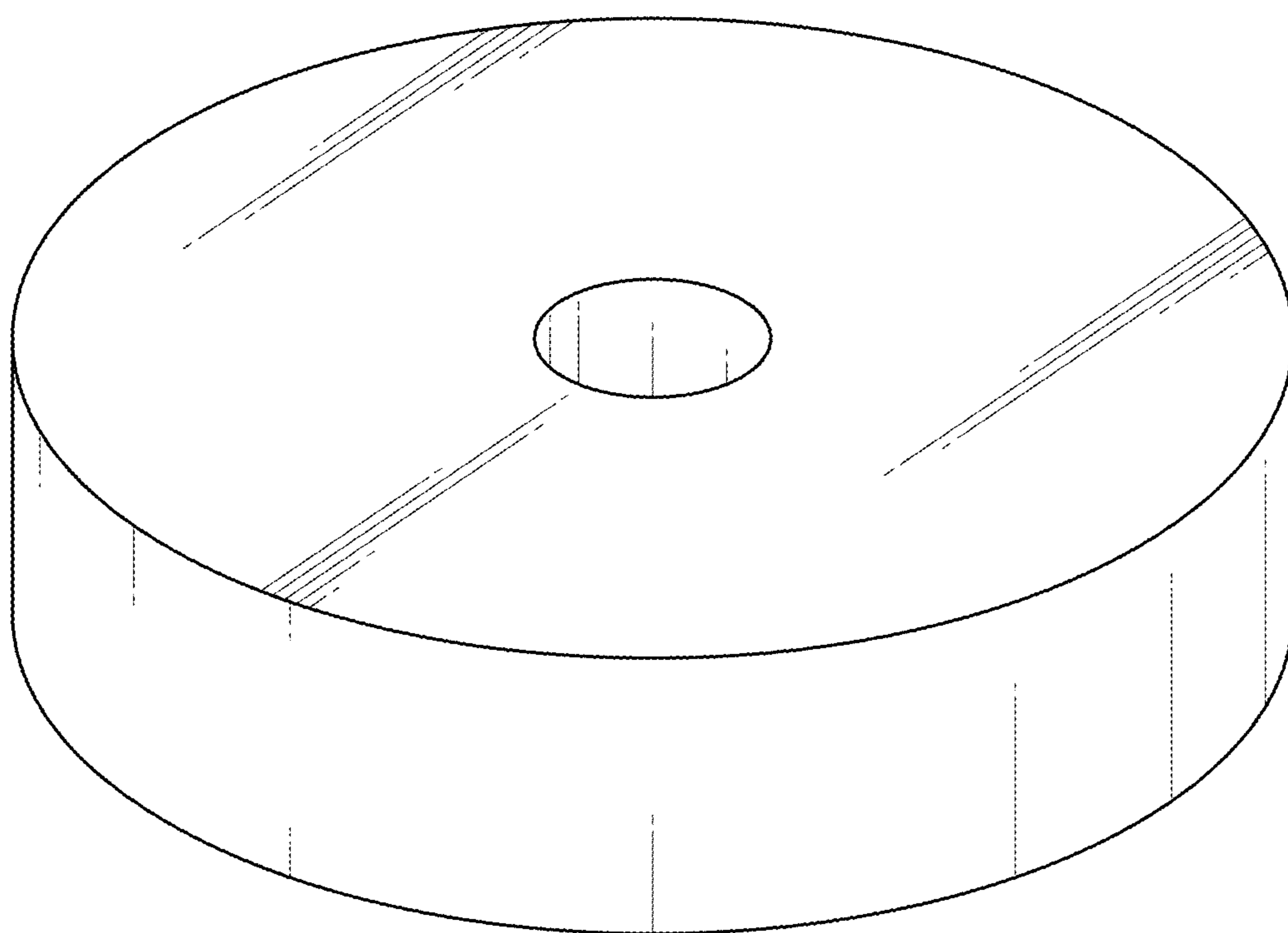


FIG. 1

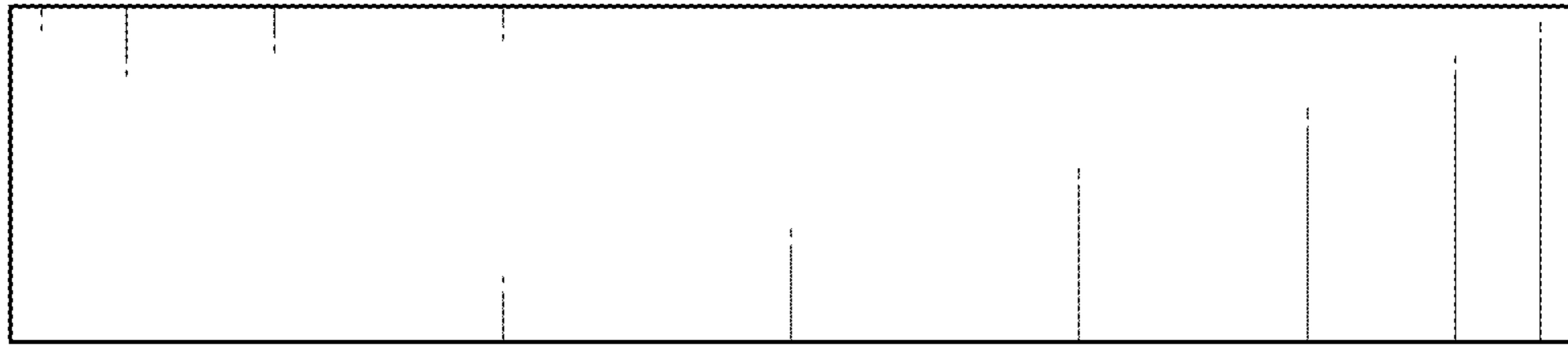


FIG. 2

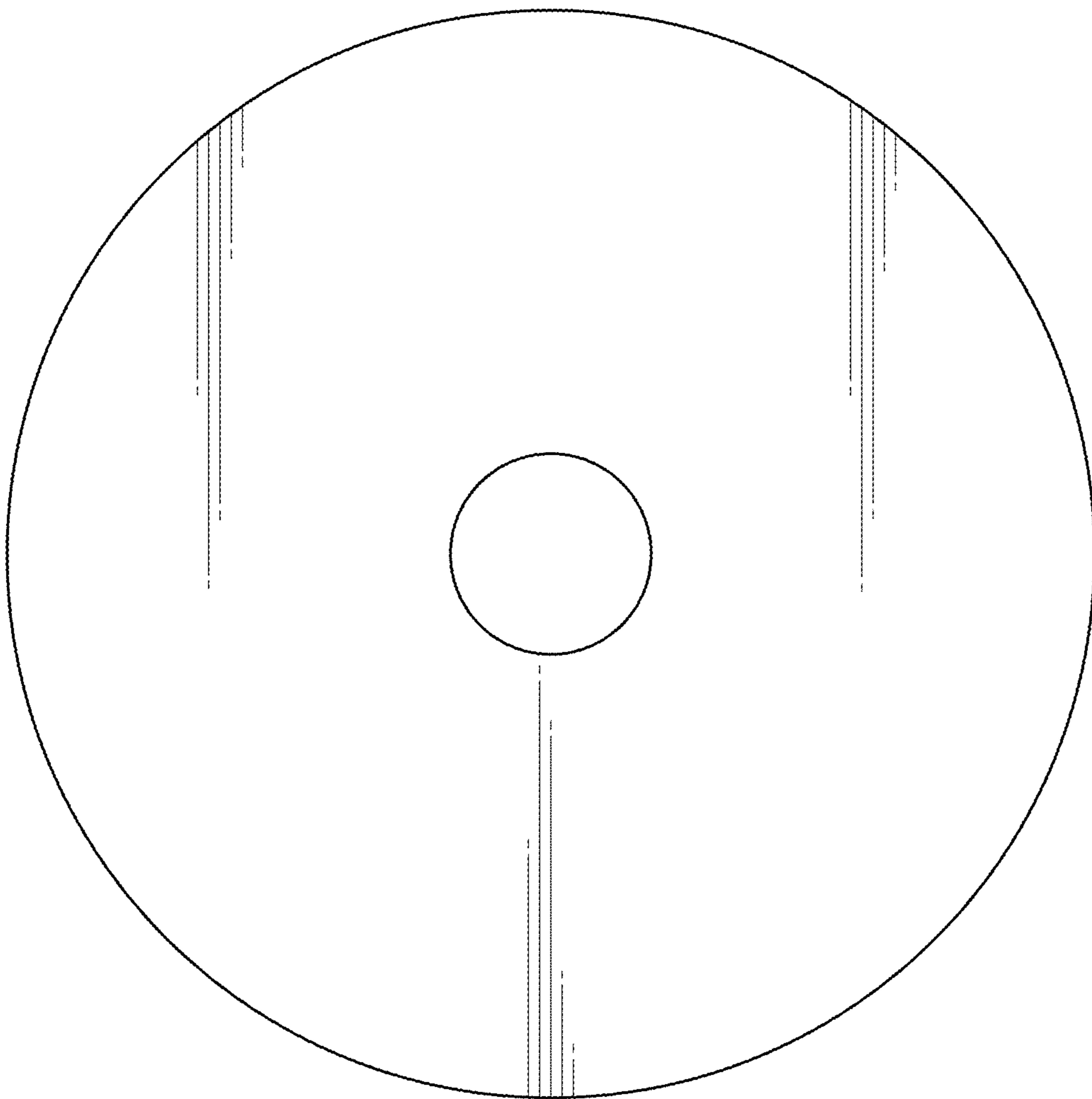


FIG. 3

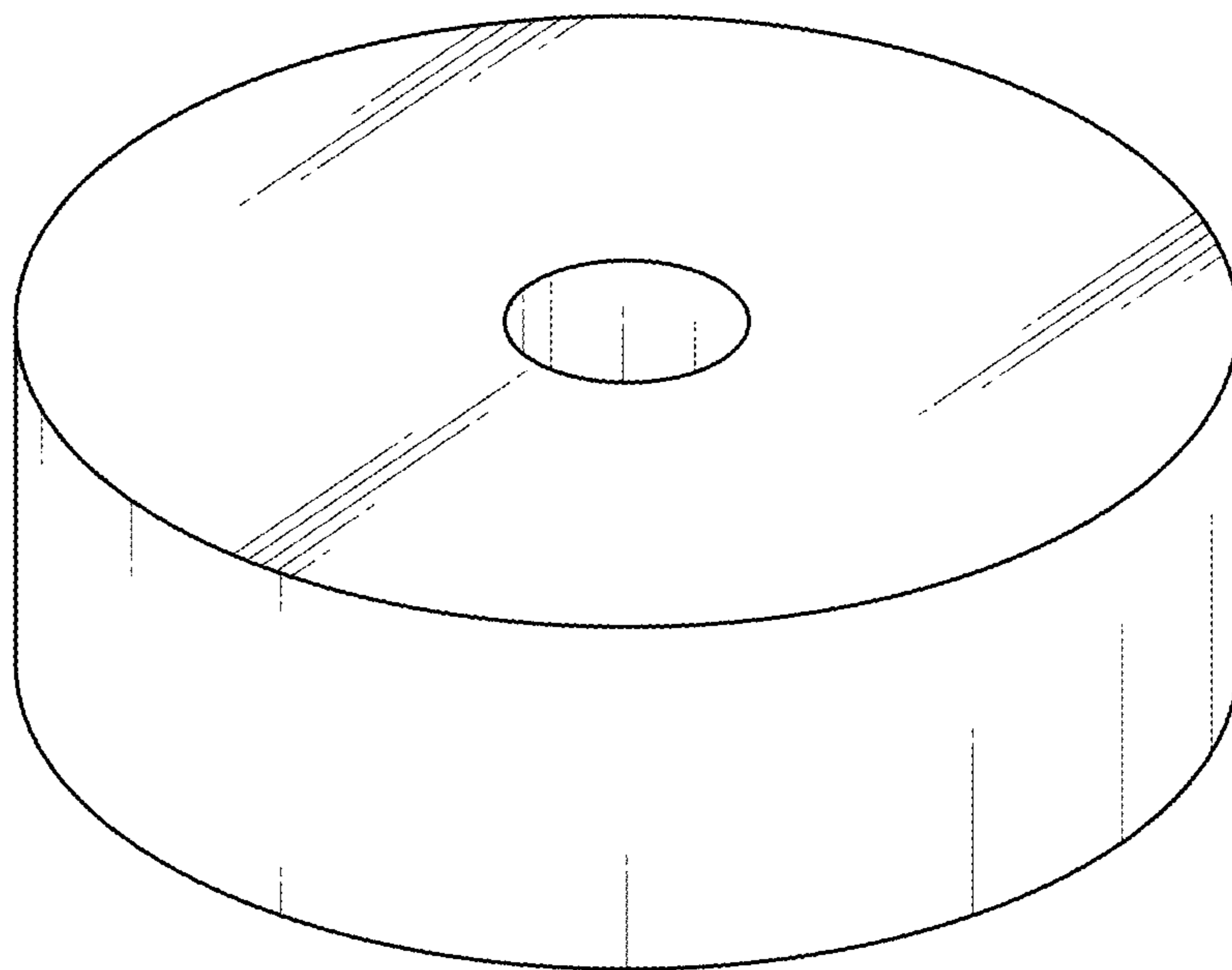


FIG. 4

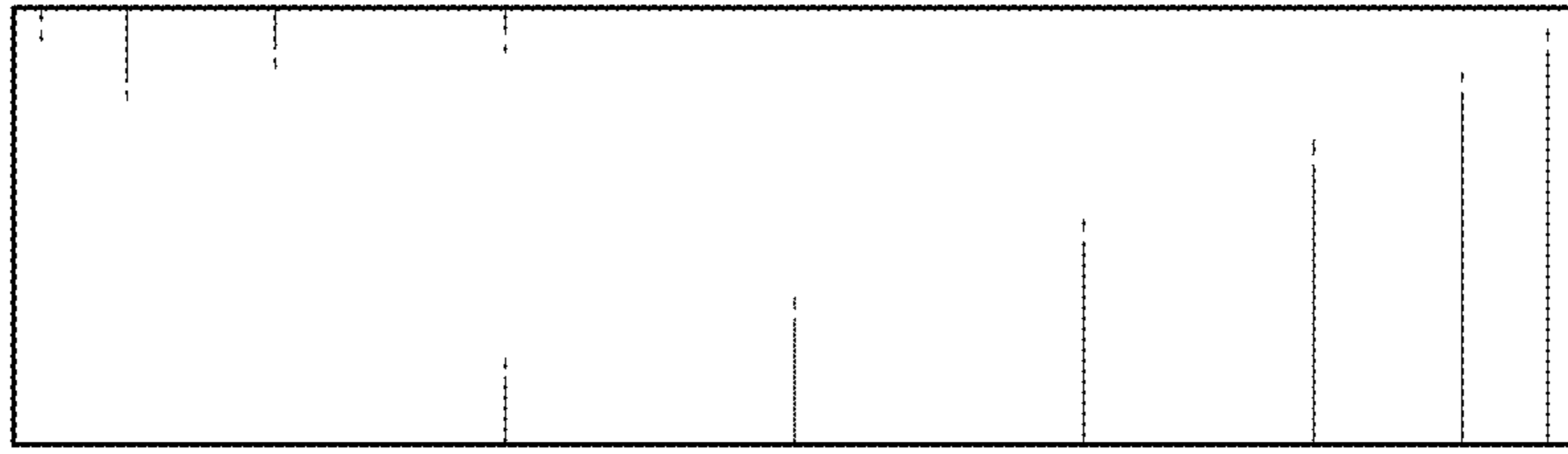


FIG. 5

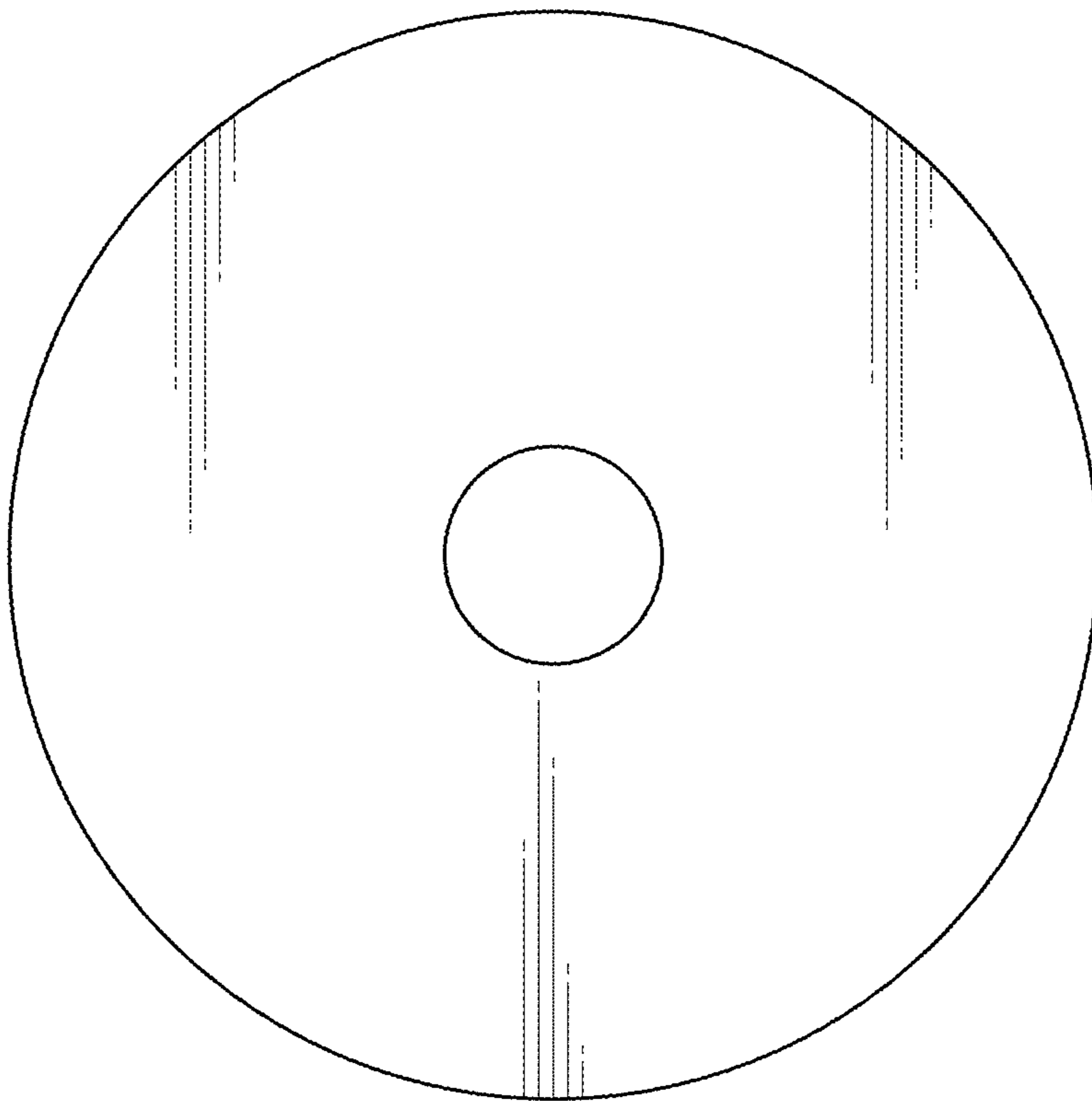


FIG. 6